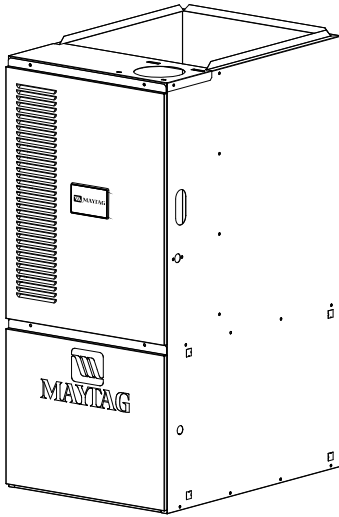
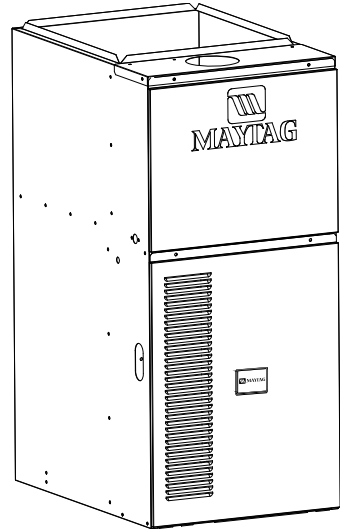


REPLACEMENT PARTS LIST

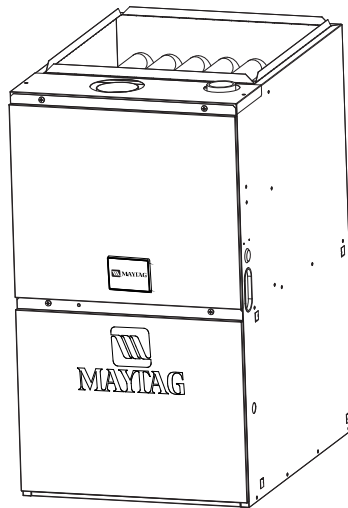
**PGC1 and PGF1 Series
 Condensing / Non-Condensing Models**



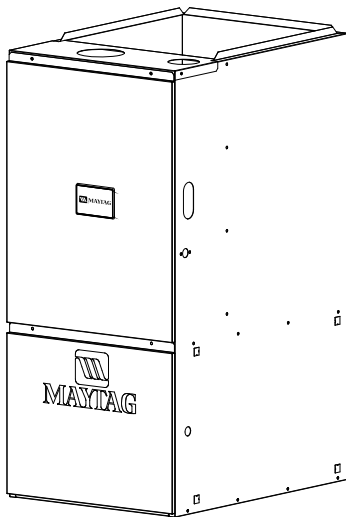
**PGF1RA, PGF1TA 80+
 Upflow/Horizontal**



PGF1RK 80+Downflow

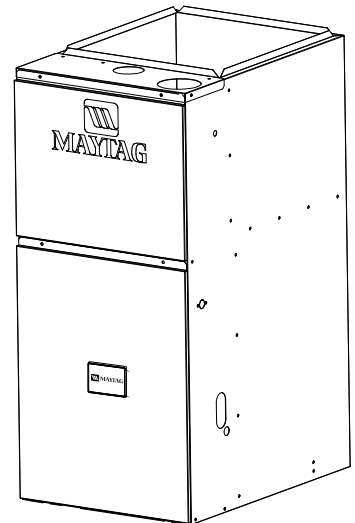


PGC1RC 92+Upflow/Horizontal

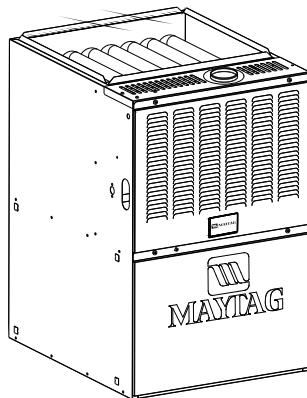


**PGF1RC, PGF1TC
 92+Upflow/Horizontal**

**PGF1TE
 95+ Upflow/Horizontal**



**PGF1RL, PGF1TL
 90+Downflow**



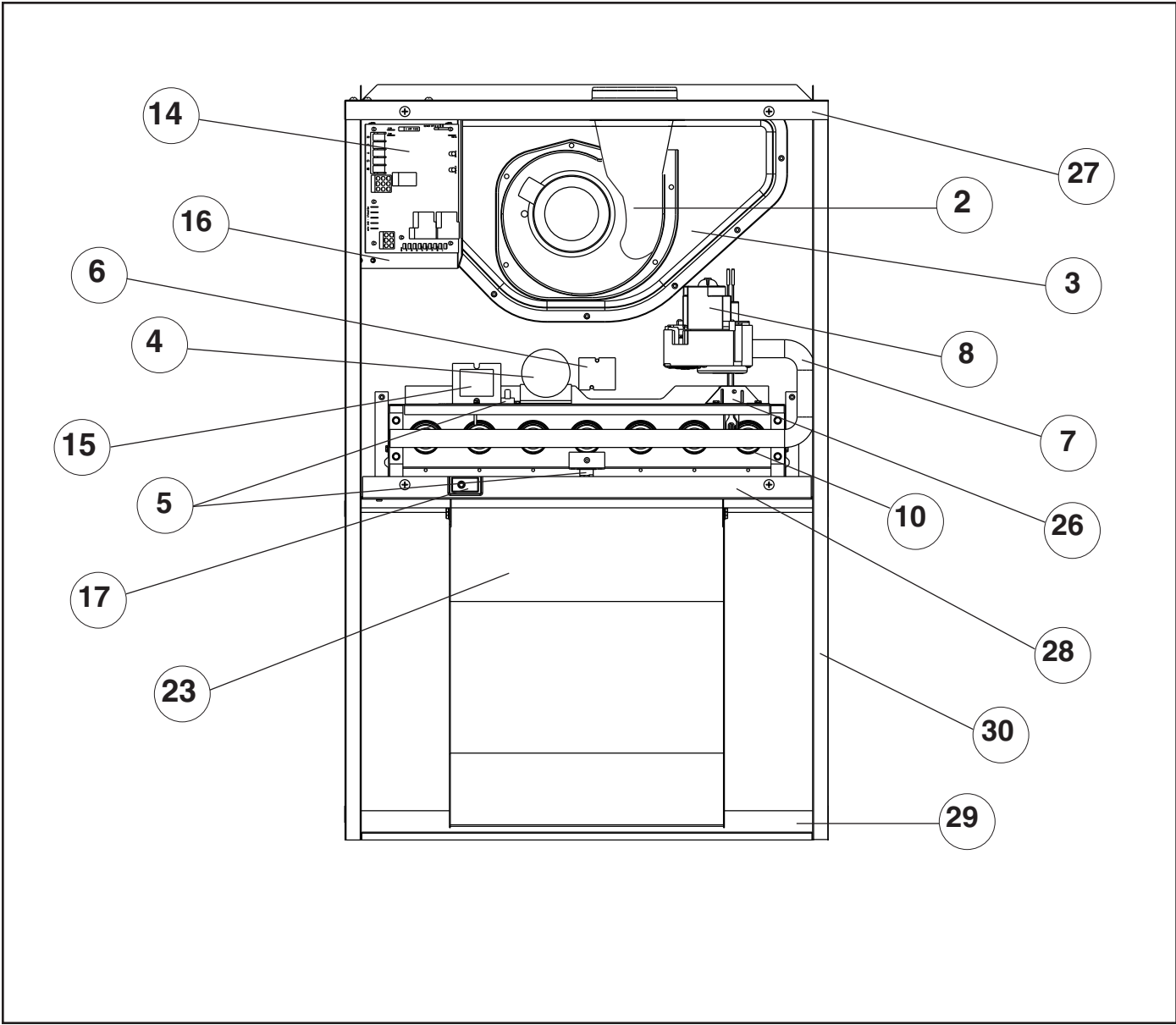
PGC1RA 80+Upflow/Horizontal

Table of Contents

PGC1RA 80+ Upflow/Horizontal Replacement Parts List	4
PGC1RA 80+ Upflow/Horizontal Open View	5
PGC1RC 92+ Upflow/Horizontal Replacement Parts List	6
PGC1RC 92+ Upflow/Horizontal Open View	7
PGF1RA 80+ Upflow/Horizontal Replacement Parts List.....	8
PGF1RA 80+ Upflow/Horizontal Open View	9
PGF1RK 80+ Downflow Replacement Parts List	10
PGF1RK 80+ Downflow Open View	11
PGF1TA 80+ 2-Stage Upflow/Horizontal Replacement Parts List Produced after 06/06.....	12
PGF1TA 80+ 2-Stage Upflow/Horizontal Open View Produced after 06/06	13
PGF1TA 80+ 2-Stage Upflow/Horizontal Replacement Parts List	14
PGF1TA 80+ 2-Stage Upflow/Horizontal Open View	15
PGF1TK 80+ 2-Stage Downflow Replacement Parts List Produced after 06/06	16
PGF1TK 80+ 2-Stage Downflow Open View Produced after 06/06.....	17
PGF1TK 80+ 2-Stage Downflow Replacement Parts List.....	18
PGF1TK 80+ 2-Stage Downflow Open View	19
PGF1RC 92+ Upflow Replacement Parts List	20
PGF1RC 92+ Upflow Open View	21
PGF1RL 90+ Downflow Replacement Parts List.....	22
PGF1RL 90+ Downflow Open View	23
PGF1TC-A 92+ Upflow Replacement Parts List.....	24
PGF1TC-A 92+ Upflow Open View	25
PGF1TC-B 92+ Upflow Replacement Parts List Produced after 11/05	26
PGF1TC-B 92+ Upflow Open View Produced after 11/05	27
PGF1TE 95+ Upflow Replacement Parts List.....	28
PGF1TE 95+ Upflow Open View	29
PGF1TE 95+ IQ Drive Replacement Parts List.....	30
PGF1TE 95+ IQ Drive Open View.....	31
PGF1TL-B 90+ Downflow Replacement Parts List Produced after 11/05.....	32
PGF1TL-B 90+ Downflow Replacement Parts List Produced after 11/05.....	33
PGF1TL-A 90+ Downflow Replacement Parts List	34
PGF1TL-A 90+ Downflow Replacement Parts List	35

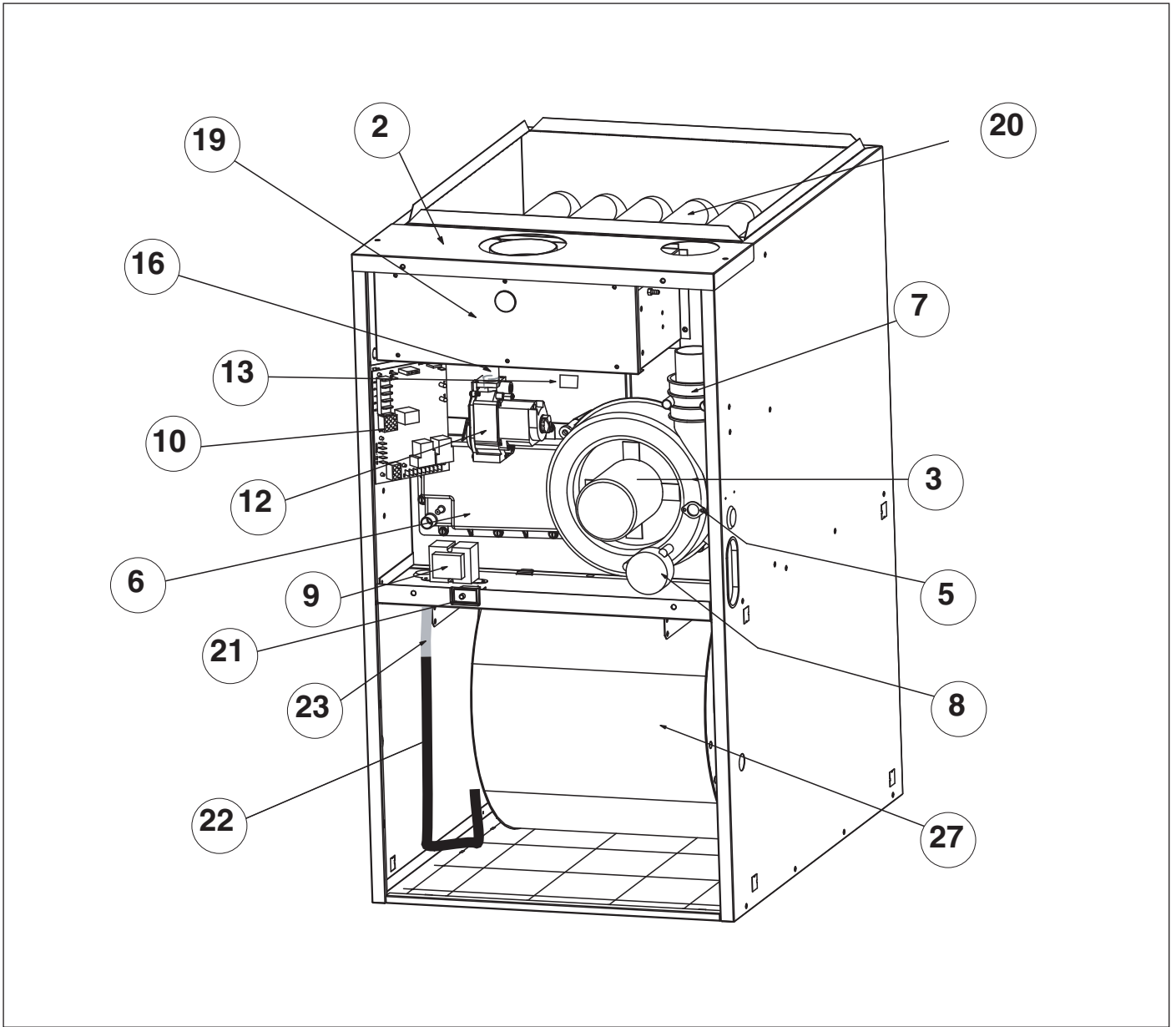
Residential 80+ Upflow/Horizontal Furnace Model PGC1RA

ITEM NO.	DESCRIPTION	(A)				(B)						(C)		
		045-08	054-10	054-12	072-12	072-12	072-16	090-12	090-16	090-20	108-16	108-20	108-20	126-20
1	Door Set (Not Shown)	904167	904167	904167	904167	904168	904168	904168	904168	904168	904168	904168	904169	904169
2	Inducer Blower Assembly w/Gasket	904023	904023	904023	904023	904023	904023	904023	904023	904023	904023	904023	904023	904023
3	Collector Pan w/Gasket	903839	903985	903985	903986	903987	903987	903843	903843	903843	903844	903844	903988	903988
4	Switch, Pressure	632432	632432	632432	632432	632432	632432	632432	632432	632432	632432	632432	632432	632432
5	Flame Rollout Switch (2)	626343	626343	626343	626343	626343	626343	626343	626343	626343	626343	626343	626343	626343
6	Main Air Limit 250° F	-	-	626508	-	-	626508	-	-	-	-	-	-	-
	Main Air Limit 280° F	-	-	-	626494	626494	-	-	-	-	-	-	-	-
	Main Air Limit 285° F	626503	626503	-	-	-	-	-	-	-	-	-	-	-
	Main Air Limit 300° F	-	-	-	-	-	-	626495	626495	626495	626495	626495	-	-
	Main Air Limit 195° F	-	-	-	-	-	-	-	-	-	-	-	626509	626509
7	Manifold Tube Assembly	663798	663798	663798	663799	663799	663799	663800	663800	663800	663801	663801	663801	663802
8	Gas Valve	624657	624657	624657	624657	624657	624657	624657	624657	624657	624657	624657	624657	624657
9	Burner Orifice (Not Shown)	661050	661047	661047	661047	661047	661047	661047	661047	661047	661047	661047	661047	661047
10	Inshot Burner	660921	660921	660921	660921	660921	660921	660921	660921	660921	660921	660921	660921	660921
11	Replacement Igniter Kit (Not Shown)	903758	903758	903758	903758	903758	903758	903758	903758	903758	903758	903758	903758	903758
12	Flame Sensor (Not Shown)	632396	632396	632396	632396	632396	632396	632396	632396	632396	632396	632396	632396	632396
13	Heat Exchanger Assembly (Not Shown)	273061R	273061R	273061R	273062R	273063R	273063R	273064R	273064R	273064R	273065R	273065R	273066R	273067R
14	Integrated Control	903106	903106	903106	903106	903106	903106	903106	903106	903106	903106	903106	903106	903106
15	Transformer	621486	621486	621486	621486	621486	621486	621486	621486	621486	621486	621486	621486	621486
16	Control Panel Bracket	391391	391391	391391	391391	391391	391391	391391	391391	391391	391391	391391	391391	391391
17	Door Switch	632125	632125	632125	632125	632125	632125	632125	632125	632125	632125	632125	632125	632125
18	Limit Mounting Bracket (Not Shown)	267511	267511	267511	267511	267511	267511	267511	267511	267511	267511	267511	267511	267511
19	Deck Limit (Not Shown)	626481	626481	626481	626481	626481	626481	626481	626481	626481	626481	626481	626481	626481
20	Capacitor, 5 MFD, 370V (Not Shown)	622131	622131	622131	622131	-	-	-	-	-	-	-	-	-
	Capacitor, 10 MFD, 370V (Not Shown)	-	-	-	-	622133	622133	622133	622133	622133	622133	622133	622133	622133
22	Motor 1/5 HP (2 Speed) (Not Shown)	903806	-	-	-	-	-	-	-	-	-	-	-	-
	Motor 1/4 HP (3 Speed) (Not Shown)	-	903807	-	-	903807	-	903807	-	-	-	-	-	-
	Motor 1/2 HP (4 Speed) (Not Shown)	-	-	-	-	-	902128	-	902128	-	902128	-	-	-
	Motor 3/4 HP (4 Speed) (Not Shown)	-	-	-	-	-	-	-	-	902346	-	902346	902346	902346
	Motor 1/3 HP (3 Speed) Not Shown)	-	-	902127	902127	-	-	-	-	-	-	-	-	-
23	Blower Assembly Complete	903813	903814	903847	903847	903815	902815	903815	902815	902816	902815	902816	902816	902816
24	Blower Wheel (Not Shown)	667251	667251	667251	667251	667295	667271	667295	667271	667271	667271	667271	667277	667277
25	Motor Mount Kit (Not Shown)	-	-	-	-	-	913871	-	913871	903489	913871	903489	903489	903489
26	Ignitor Bracket	391721	391721	391721	391721	391721	391721	391721	391721	391721	391721	391721	391721	391721
27	Top Panel	273051R	273051R	273051R	273051R	273052R	273052R	273052R	273052R	273052R	273052R	273052R	273053R	273053R
28	Blower Deck	D10471R	D10471R	D10471R	D10471R	D10472R	D10472R	D10472R	D10472R	D10472R	D10472R	D10472R	D10473R	D10473R
29	Bottom Pan	382561R	382561R	382561R	382561R	382562R	382562R	382562R	382562R	382562R	382562R	382562R	382563R	382563R
30	Wrapper, Cabinet	273071R	273071R	273071R	273071R	273072R	273072R	273072R	273072R	273072R	273072R	273072R	D10383R	D10383R
31	Blower Bracket (Not Shown)	267451	267451	267451	267451	267451	267451	267451	267451	267451	267451	267451	267451	267451



Residential 92+ Upflow/Horizontal Furnace Model PGC1RC

ITEM NO.	DESCRIPTION	A		B			C	
		040-08	060-12	080-12	080-16	100-16	120-16	120-20
1	Door Set (Not Shown)	904101	904101	904102	904102	904102	904103	904103
2	Top Panel	275891	275891	275892	275892	275892	275893	275893
3	Inducer Blower (with Gasket)	904085	904085	904085	904085	904085	904085	904085
4	Inducer Orifice (Not Shown)	151885R	151887R	155316	155316	151886R	N/A	N/A
5	Inducer Limit	626548	626548	626548	626548	626548	626548	626548
6	Box, Header Outlet (with Sealant)	903105	903105	903104	903104	903104	903103	903103
7	In-Line Drain Assembly	663891	663891	663891	663891	663891	663891	663891
8	Pressure Switch	632445	632445	632445	632445	632445	632445	632445
9	Transformer	621486	621486	621486	621486	621486	621486	621486
10	Integrated Control	903106	903106	903106	903106	903106	903106	903106
11	Flame Sensor (Not Shown)	632396	632396	632396	632396	632396	632396	632396
12	Gas Valve	624657	624657	624657	624657	624657	624657	624657
13	Main Air Limit Switch (200°F)	-	626545	-	-	-	-	-
	Main Air Limit Switch (250°F)	626527	-	-	-	-	626527	626527
	Main Air Limit Switch (270°F)	-	-	626546	626546	-	-	-
	Main Air Limit Switch (290°F)	-	-	-	-	626528	-	-
14	Replacement Igniter Kit (Not Shown)	903758	903758	903758	903758	903758	903758	903758
15	Flame Roll-Out Switch (Not Shown)	626499	626530	626530	626530	626530	626530	626530
16	Manifold Tube	663944	663945	663946	663946	663947	663948	663948
17	Orifice, Natural Gas, #45 (Not Shown)	661045	661045	661045	661045	661045	661045	661045
18	Inshot Burners (Not Shown)	660921	660921	660921	660921	660921	660921	660921
19	Burner Box Assembly	904087	904088	904094	904094	904095	904086	904086
20	Heat Exchanger Assembly	904096	904097	904098	904098	904099	904100	904100
21	Door Switch	632125	632125	632125	632125	632125	632125	632125
22	J-Trap Hard Tube	663706	663706	663706	663706	663706	663706	663706
23	Soft Tube (1/2")	663707	663707	663707	663707	663707	663707	663707
24	Hose, High Temperature Silicone (Not Shown)	263967	263967	263967	263967	263967	263967	263967
25	Blower Wheel, CCW (Not Shown)	667251	667251	667037	667271	667271	667271	667277
26	Motor - 1/5 HP (3 Speed) (Not Shown)	903806	-	-	-	-	-	-
	Motor - 1/3 HP (3 Speed) (Not Shown)	-	902127	902127	-	-	-	-
	Motor - 1/2 HP (4 Speed) (Not Shown)	-	-	-	902128	902128	902128	-
	Motor - 3/4 HP (4 Speed) (Not Shown)	-	-	-	-	-	-	902346
27	Blower Assembly	903813	903847	903754	902815	902815	904089	902816
28	Capacitor, 5 MFD, 370V (Not Shown)	621433	621433	-	-	-	-	-
	Capacitor, 10 MFD, 370V (Not Shown)	-	-	621435	621435	621435	621435	621435
29	Set of Wires (Not Shown)	277701	277702	277711	277712	277712	277712	277712
30	Motor Mount 3/4 HP Motor Only (Not Shown)	-	-	-	913871	913871	913871	903489

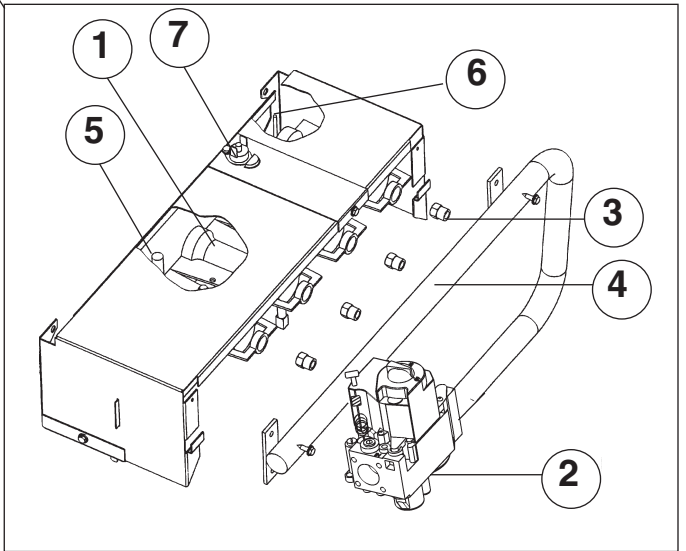
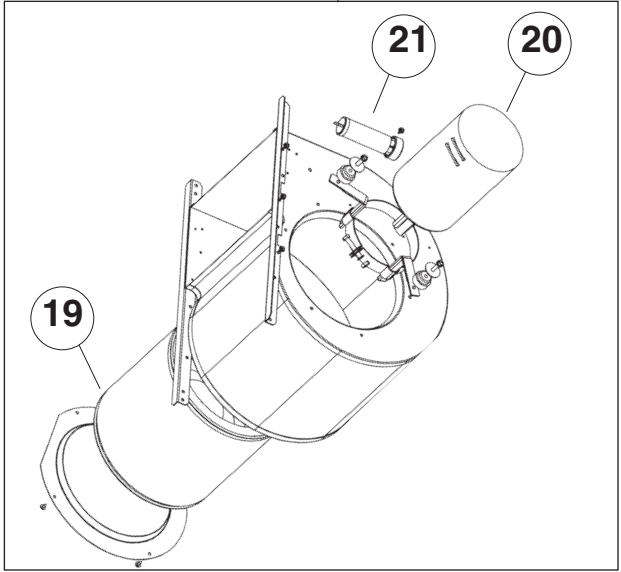
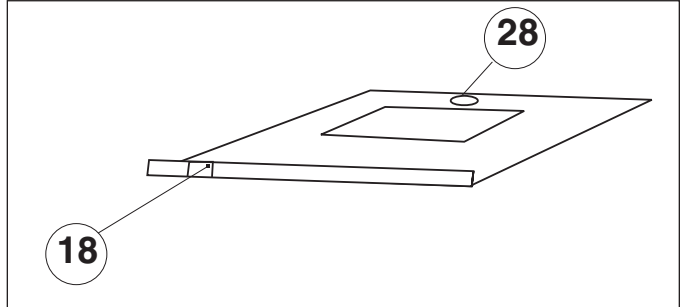
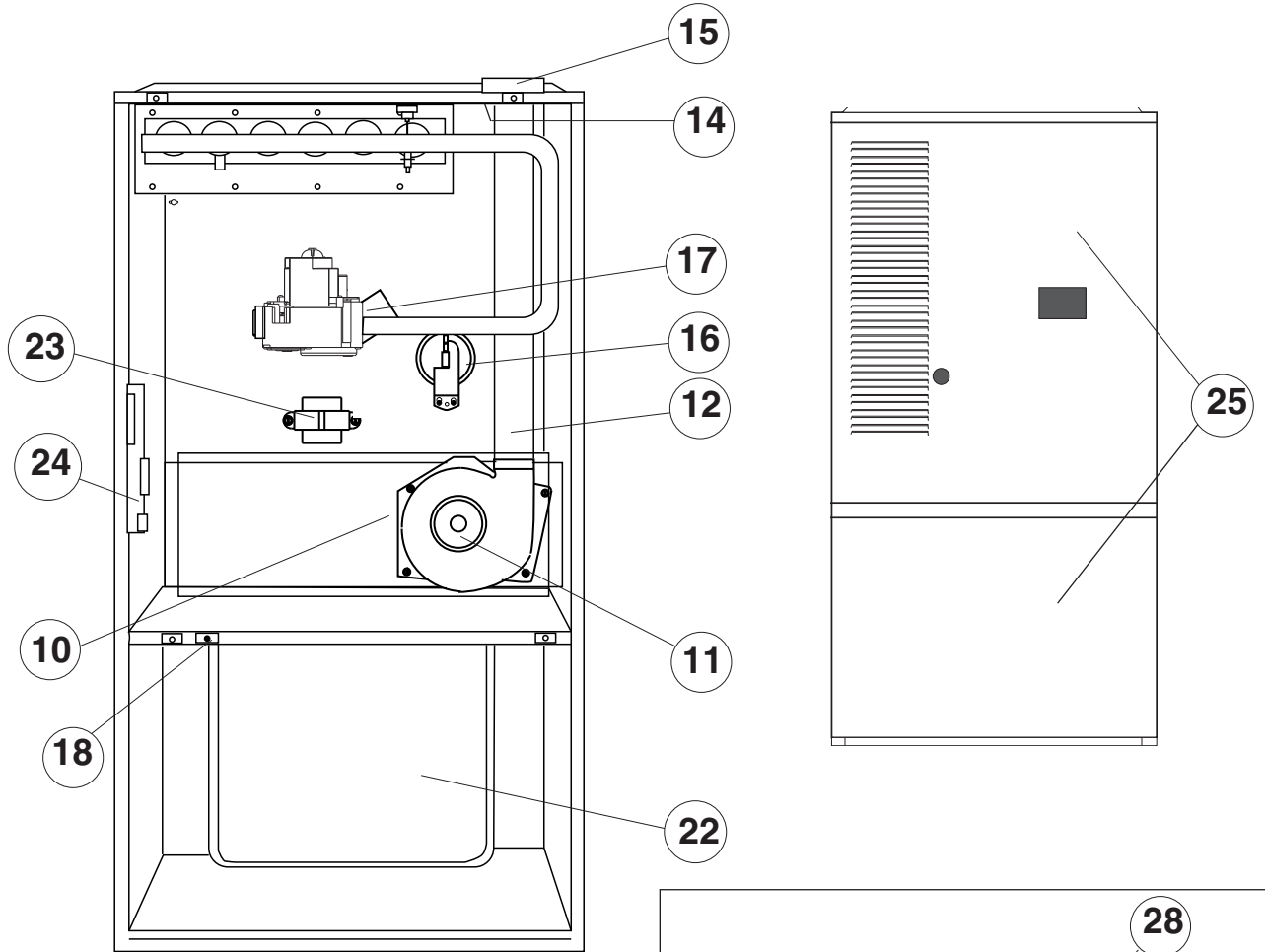


Residential 80+ Upflow/Horizontal Furnace Model PGF1RA

ITEM NO.	DESCRIPTION	045-08	060-12	072-12	072-16	072-17	072-VB(A)	096-12	096-16	096-20	096-VB(A)	120-16	120-20	120-VC(A)	144-20	144-VC(A)
1	Inshot Burner (Not Shown)	660812	660812	660812	660812	660812	660812	660812	660812	660812	660812	660812	660812	660812	660812	660812
2	Gas Valve	624657	624657	624657	624657	624657	624657	624657	624657	624657	624657	624657	624657	624657	624657	624657
	Orifice, Main Burner, No. 44	661044	-	-	-	-	-	-	-	-	-	-	-	-	-	-
	Orifice, Main Burner, No. 45	-	661045	-	-	-	-	-	-	-	-	-	-	-	-	-
3	Orifice, Main Burner, No. 43	-	-	661043	661043	661043	661043	661043	661043	661043	661043	661043	661043	661043	661043	661043
4	Manifold Tube	663549	663550	663550	663550	663550	663550	663551	663551	663551	663551	663552	663552	663552	663553	663553
5	Replacement Igniter Kit	903758	903758	903758	903758	903758	903758	903758	903758	903758	903758	903758	903758	903758	903758	903758
6	Flame Sensor	632396	632396	632396	632396	632396	632396	632396	632396	632396	632396	632396	632396	632396	632396	632396
7	Flame Roll-Out Limit, 300°F	626343	626343	626343	626343	626343	626343	626343	626343	626343	626343	626343	626343	626343	626343	626343
8	Complete Burner Assembly	D11241R	D11251R	D11261R	D11261R	D11261R	D11261R	D11271R	D11271R	D11271R	D11271R	D11281R	D11281R	D11281R	D11291R	D11291R
9	Heat Exchanger (Not Shown)	493211R	493212R	493212R	493213R	493213R	493213R	493214R	493214R	493215R	493214R	493216R	493217R	493217R	493218R	493218R
10	Collector Pan Assembly	158610R	158611R	158612R	158619R	158619R	158619R	158621R	158621R	158624R	158621R	158622R	158625R	158625R	158625R	158625R
11	Inducer Blower with Gasket	903111	903111	903111	903111	903111	903111	903111	903111	903111	903111	903111	903111	903111	903111	903111
12	Tube, Combustion	374670	374670	374670	374670	374670	374670	374670	374670	374670	374670	374670	374670	374670	374670	374670
13	Vent Control Assembly (Not Shown)	372570R	372581R	372582R	372583R	372583R	372583R	372584R	372584R	372584R	372584R	372584R	372586R	372586R	372590R	373980R
	Switch, Vent Limit, 220 °F (Not Shown)	-	626354	-	-	-	-	-	-	-	-	-	-	-	-	-
	Switch, Vent Limit, 230 °F (Not Shown)	626353	-	-	-	-	-	-	-	-	-	-	-	-	626353	626353
	Switch, Vent Limit, 240 °F (Not Shown)	-	-	-	626355	-	626355	-	-	-	-	-	626355	626355	-	-
14	Switch, Vent Limit, 260 °F (Not Shown)	-	-	626350	-	626350	-	626350	626350	626350	626350	626350	-	626350	-	-
15	Hose, High-Temp. Silicone (Not Shown)	263967	263967	263967	263967	263967	263967	263967	263967	263967	263967	263967	263967	263967	263967	263967
16	Switch, Pressure	632427	632427	632427	632427	632427	632427	632427	632427	632427	632427	632427	632427	632427	632427	632427
	Main Air Limit, 150/20°F	-	626418	626418	-	626418	-	-	-	-	-	-	-	-	626418	626418
	Main Air Limit, 180/20°F	-	-	-	-	-	-	-	-	626434	-	-	626434	626434	-	-
	Main Air Limit, 195/20°F	-	-	-	-	-	-	626419	-	-	-	-	-	-	-	-
	Main Air Limit, 210/20°F	626425	-	-	-	-	-	-	-	-	-	626425	-	-	-	-
	Main Air Limit, 250/20°F	-	-	-	626449	-	626449	-	626449	-	626449	-	-	-	-	-
18	Switch, Door	632125	632125	632125	632125	632125	632125	632125	632125	632125	632125	632125	632125	632125	632125	632125
19	Wheel, Blower, CCW	667251	667251	667251	667271	667271	667277	667295	667271	667277	667277	667271	667277	667277	667277	667277
	Motor - 1/5 HP (3 Speed)	902126	-	-	-	-	-	-	-	-	-	-	-	-	-	-
	Motor - 1/3 HP (3 Speed)	-	902127	902127	-	-	-	902127	-	-	-	-	-	-	-	-
	Motor - 1/2 HP (4 Speed)	-	-	-	902128	-	-	-	902128	-	-	902128	-	-	-	-
	Motor - 3/4 HP (4 Speed)	-	-	-	-	621900	622024	-	-	902346	622024	-	902346	622024	902346	622024
20	Motor Mount Replacement Kit	N/A	N/A	N/A	913871	N/A	903489	N/A	913871	903489	913871	913871	903489	903489	903489	903489
	Capacitor, 5 MFD, 370V	622131	622131	622131	-	-	-	-	-	-	-	-	-	-	-	-
	Capacitor, 10 MFD, 370V	622133	622133	622133	622133	-	-	622133	622133	622133	-	622133	622133	-	622133	-
21	Capacitor, 25 MFD, 370V	-	-	-	-	621490	-	-	-	-	-	-	-	-	-	-
22	Complete Blower Ass'y	902813	902814	902814	902815	903829	904075	903443	902815	902816	904075	902815	902816	904075	902816	904075
23	Transformer, 40 VA, 120V	621486	621486	621486	621486	621486	621486	621486	621486	621486	621486	621486	621486	621486	621486	621486
24	Control, Integrated	903106	903106	903106	903106	903106	903106	903106	903106	903106	903106	903106	903106	903106	903106	903106
25	Door Set (Not Shown)	904170	904170	904170	904171	904170	904171	904171	904171	904171	904171	904171	904172	904172	904172	904172
27	3 AMP Circuit Board Fuse (Not Shown)	632261	632261	632261	632261	632261	632261	632261	632261	632261	632261	632261	632261	632261	632261	632261
28	Blower Deck Limit 135°F	-	-	-	626464	-	626464	626464	626464	-	626464	626464	-	-	-	626464
29	Gasket, Collector Pan (Not Shown)	689071	689071	689071	689072	689072	689072	689072	689072	689072	689072	689072	689073	689073	689073	689073

Notes ¹ Replace gasket (Item #27) when replacing turbulators #10, or collector pan assembly #11.

PGF1RA 80+ Upflow/Horizontal

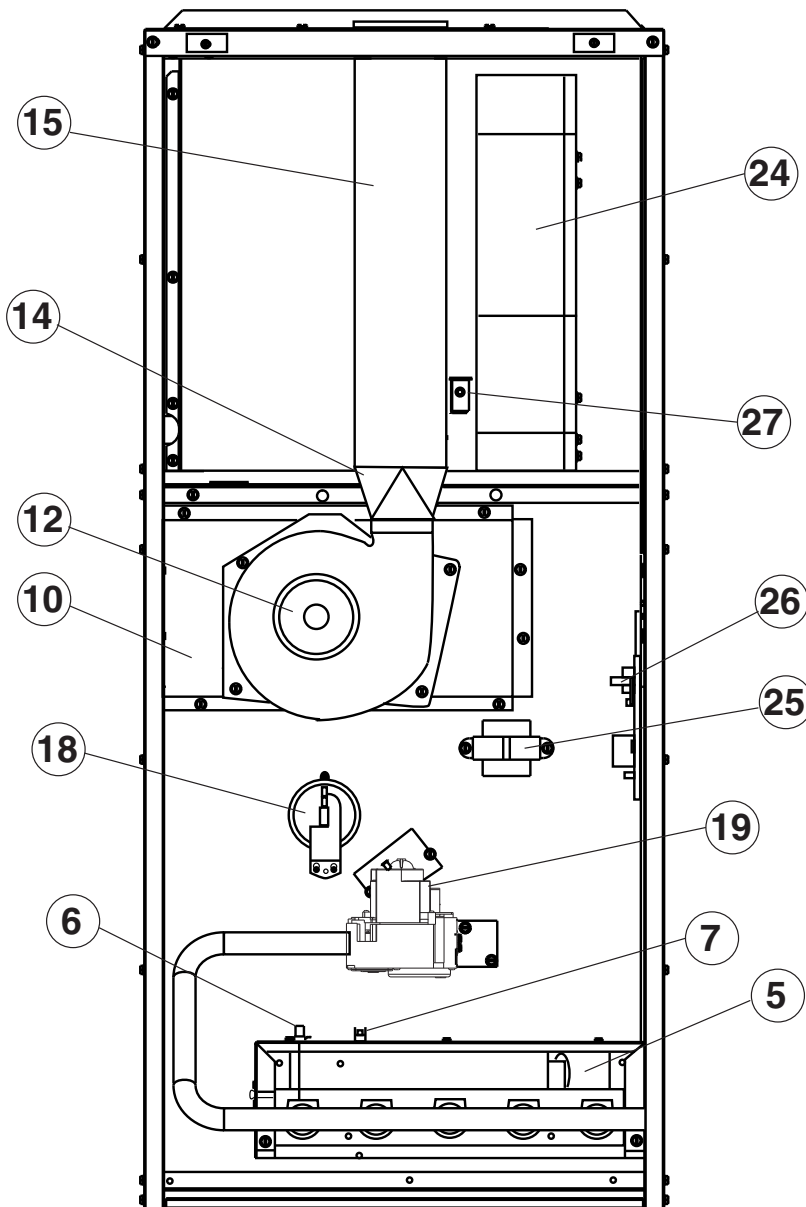
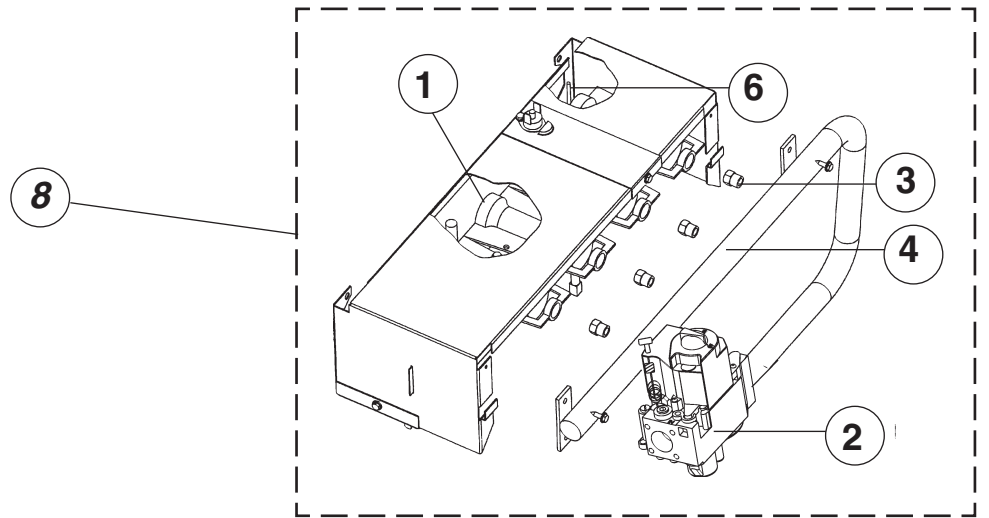


Residential 80+ Downflow Furnace Model PGF1RK

ITEM NO.	DESCRIPTION	060-12	072-12	072-16	072-VB(A)	096-12	096-16	096-VB(A)	120-20	120-VB(A)	135-20
1	Inshot Burner	660812	660812	660812	660812	660812	660812	660812	660812	660812	660812
2	Gas Valve	624657	624657	624657	624657	624657	624657	624657	624657	624657	624657
3	Orifice, Main Burner, No. 43		661043	661043	661043	661043	661043	661043	661043	661043	661043
	Orifice, Main Burner, No. 45	661045	-	-	-	-	-	-	-	-	-
	Orifice, Main Burner, No. 41	-	-	-	-	-	-	-	-	-	661041
4	Manifold Tube	663550	663550	663550	663550	663551	663551	663551	663552	663552	663552
5	Replacement Igniter Kit	903758	903758	903758	903758	903758	903758	903758	903758	903758	903758
6	Flame Sensor	632396	632396	632396	632396	632396	632396	632396	632396	632396	632396
7	Flame Roll-Out Switch (260°F)	626350	626350	626350	626350	626350	626350	626350	626350	626350	626350
8	Complete Burner Assembly	D03951R	D03952R	D03952R	D03952R	D03953R	D03953R	D03953R	D03954R	D03954R	D03954R
9	Heat Exchanger Assembly (Not Shown)	D06510R	D06510R	493641R	493641R	493642R	493642R	493642R	493643R	493643R	493643R
10	Collector Pan Assembly	158626R	158627R	158628R	158628R	158629R	158629R	158629R	158629R	158629R	158629R
11	Gasket, Collector Pan (Not Shown)	689531	689531	689072	689072	689072	689072	689072	689072	689072	689072
12	Inducer Blower with Gasket	903111	903111	903111	903111	903111	903111	903111	903111	903111	903111
13	Gasket, Inducer (Not Shown)	689079	689079	689079	689079	689079	689079	689079	689079	689079	689079
14	Adaptor, 4" Round Assembly	368341R	368342R	368342R	368342R	368343R	368343R	368343R	368344R	368344R	368344R
15	Tube, Combustion, Insulated	262810R	262810R	262810R	262810R	262810R	262810R	262810R	262810R	262810R	262810R
16	Switch, Vent Limit, 250 °F (Not Shown)	626463	626463	626463	626463	626463	626463	626463	626463	626463	626463
17	Hose, High-Temperature Silicone (Not Shown)	263967	263967	263967	263967	263967	263967	263967	263967	263967	263967
18	Switch, Pressure	632427	632427	632427	632427	632427	632427	632427	632427	632427	632427
19	Main Air Limit, 175/20°F	626424	-	-	-	626424	-	-	-	-	-
	Main Air Limit, 195/20°F	-	626419	-	-	-	-	-	-	-	-
	Main Air Limit, 220/20°F	-	-	-	-	-	-	-	626435	626435	626435
	Main Air Limit, 250/25°F			626449	626449		626449	626449	-	-	-
20	Wheel Blower CCW (Not Shown)	667251	667251	667271	667277	667037	667271	667277	667277	667277	667277
21	Motor - 1/3 HP (Not Shown)	902127	902127	-	-	902127	-	-	-	-	-
	Motor - 1/2 HP (Not Shown)	-	-	902128	-	-	902128	-	-	-	-
	Motor - 3/4 HP (Not Shown)	-	-	-	622024	-	-	622024	902346	622024	902346
22	Capacitor, 5 MFD, 370V (Not Shown)	622131	622131	-	-	622131	-	-	-	-	-
	Capacitor, 10 MFD, 370V (Not Shown)	-	-	622133	-	-	622133	-	622133	-	622133
23	Deck Limit, 115/20 (Not Shown)	-	-	-	-	-	-	-	-	-	626497
	Deck Limit, 130/20 (Not Shown)	-	-	-	-	626442	-	-	-	-	-
	Deck Limit, 135/20 (Not Shown)	-	-	-	-	-	626484	626484	-	-	-
	Deck Limit, 140/20 (Not Shown)	626439	-	-	-	-	-	-	626439	626439	626439
	Deck Limit, 155/20 (Not Shown)	-	626440	-	-	-	-	-	-	-	-
	Deck Limit, 160/20 (Not Shown)	-	-	626462	626462	-	-	-	902816	-	-
24	Blower Assembly	902814	902814	902815	904075	902912	902815	904075	902816	904075	902816
25	Transformer, 40 VA, 120V	621486	621486	621486	621486	621486	621486	621486	621486	621486	621486
26	Integrated Control	903106	903106	903106	903106	903106	903106	903106	903106	903106	903106
27	Door Switch	632125	632125	632125	632125	632125	632125	632125	632125	632125	632125
28	Motor Mount Replacement Kit (Not Shown)	913871	913871	913871	903489	-	913871	903489	903489	903489	903489
	Motor Mount Arm (Not Shown)	668927	668927	-	668927	-	-	668927	668927	668927	668927
29	Door Set (Not Shown)	904170	904170	904171	904171	904171	904171	904171	904171	904171	904171

1 Replace gasket whenever collector pan assembly (Item 11) is removed.

PGF1RK 80+ Downflow



Residential 80+ 2-Stage Upflow/Horizontal Furnace Model PGF1TA

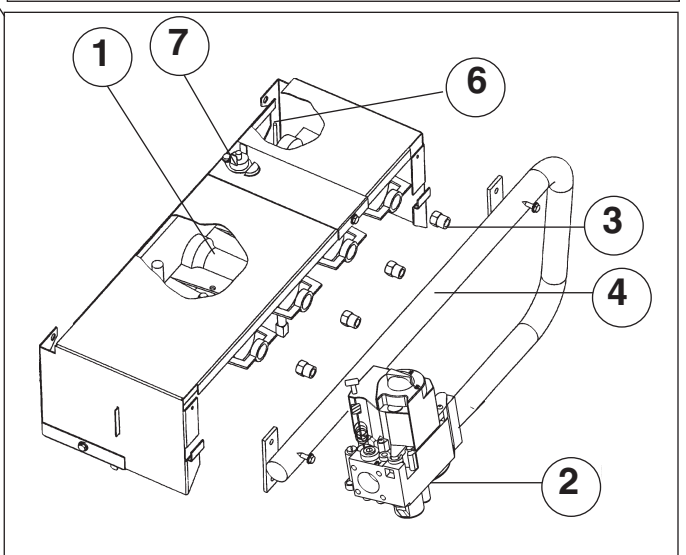
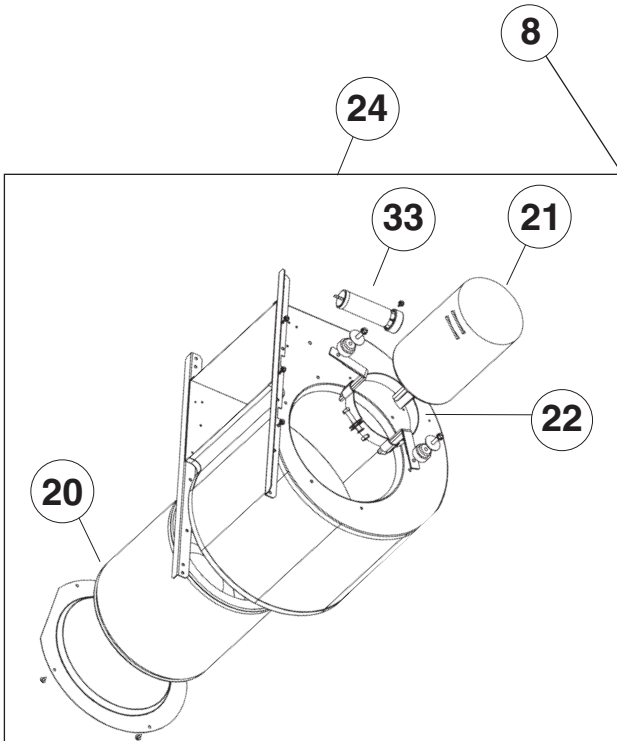
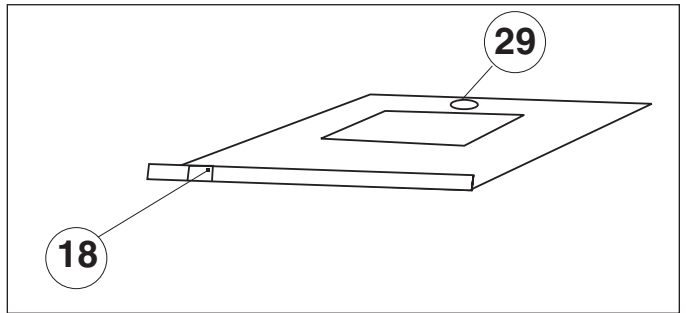
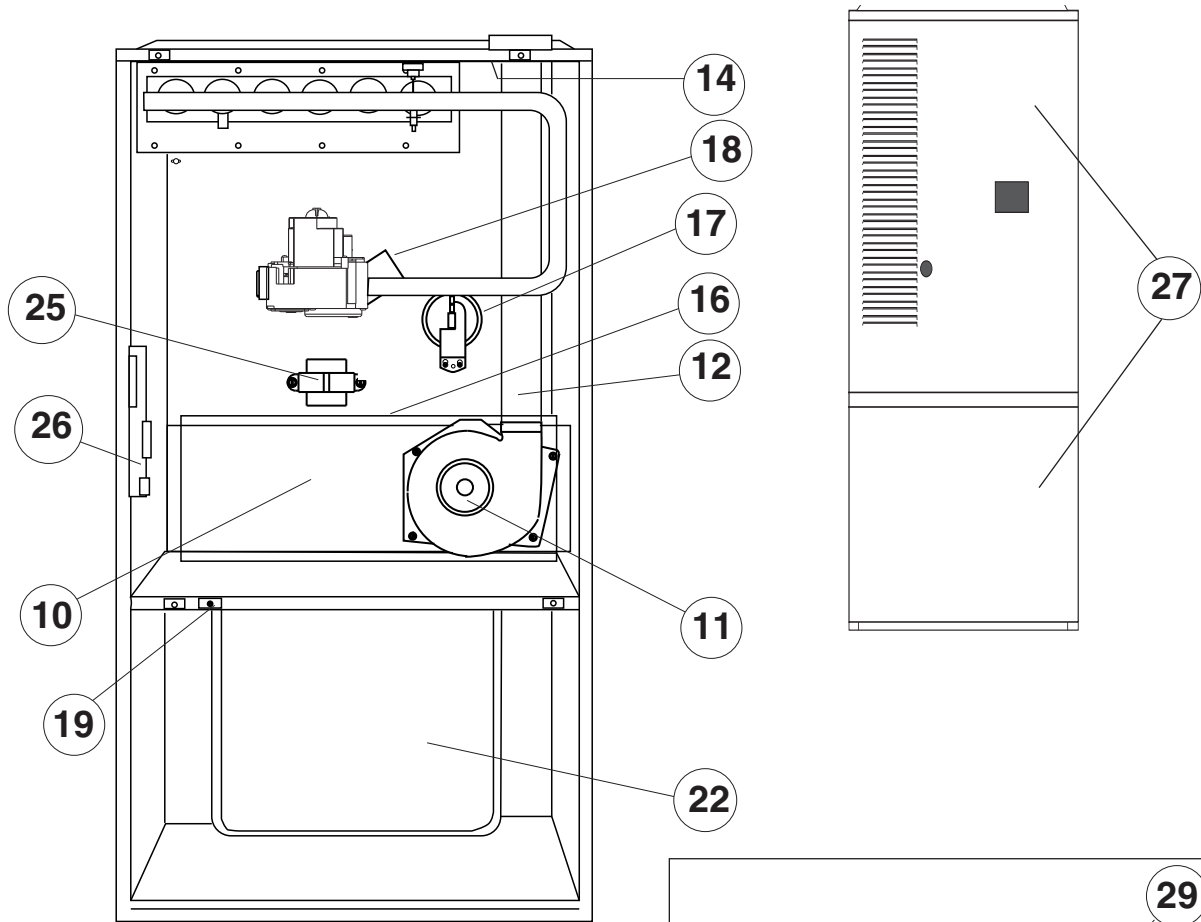
NOTE: Effective with Models produced after 06/06

ITEM NO.	DESCRIPTION	060-08A	060-12A	072-VB(B)	096-VB(B)	120-VC(B)	072-12B	072-16B	096-12B	096-16B	096-20B	120-16C	120-20C
1	Inshot Burner	600812	600812	660812	660812	660812	660812	660812	660812	600812	600812	600812	600812
2	Gas Valve - Two Stage	624652	624652	624652	624652	624652	624652	624652	624652	624652	624652	624652	624652
3	Orifice, Main Burner, No. 45	661045	661045	-----	-----	-----	-----	-----	-----	-----	-----	-----	-----
	Orifice, Main Burner, No. 43	-----	-----	661043	661043	661043	661043	661043	661043	661043	661043	661043	661043
4	Manifold Tube	663550	663550	663550	663551	663552	663550	663550	663551	663551	663551	663552	663552
5	Replacement Igniter Kit	903758	903758	903758	903758	903758	903758	903758	903758	903758	903758	903758	903758
6	Flame Sensor	632396	632396	632396	632396	632396	632396	632396	632396	632396	632396	632396	632396
7	Flame Roll-Out Limit, 300°F, Top	626343	626343	626343	626343	626343	626343	626343	626343	626343	626343	626343	626343
8	Complete Burner Assembly	M0000452R	M0000452R	M0000449R	M0000450R	M0000451R	M0000453R	M0000453R	M0000454R	M0000454R	M0000454R	M0000455R	M0000455R
9	Heat Exchanger (Not Shown)	493212R	493212R	493213R	493214R	493217R	493213R	493213R	493214R	493214R	493214R	493217R	493217R
10	Collector Pan Assembly	158611R	158611R	158619R	158621R	158625R	158619R	158619R	158621R	158621R	158621R	158622R	158625R
11	Inducer Blower with Gasket	903111	903111	903111	903111	903111	903111	903111	903111	903111	903111	903111	903111
12	Tube, Combustion	374670	374670	374670	374670	374670	374670	374670	374670	374670	374670	374670	374670
13	Vent Control Assembly (Not Shown)	372581R	372581R	372583R	372583R	372583R	372583R	372583R	372584R	372584R	372584R	372586R	372586R
14	Vent Switch	626354	626354	626355	626350	626355	626355	626355	626350	626350	626350	626350	626355
15	Hose, High-Temp. Silicone (Not Shown)	263967	263967	263967	263967	263967	263967	263967	263967	263967	263967	263967	263967
16	Gasket, Collector Pan (Not Shown)	689071	689071	689072	689072	689073	689072	689072	689072	689072	689072	689073	689073
17	Pressure Switch	632427	632427	632427	632427	632427	632427	632427	632427	632427	632427	632427	632427
18	Main Air Limit (280°F)	-----	-----	626526	-----	-----	626526	-----	-----	-----	-----	-----	-----
	Main Air Limit (250°F)	-----	-----	-----	-----	-----	-----	626449	-----	626449	626449	-----	-----
	Main Air Limit (210°F)	-----	-----	-----	626425	-----	-----	-----	-----	-----	-----	-----	-----
	Main Air Limit (195°F)	-----	-----	-----	-----	-----	-----	-----	626419	-----	-----	-----	-----
	Main Air Limit (180°F)	-----	-----	-----	-----	626434	-----	-----	-----	-----	-----	626434	626434
18	Main Air Limit (150°F)	626418	626418	-----	-----	-----	-----	-----	-----	-----	-----	-----	-----
19	Door Switch	632125	632125	632125	632125	632125	632125	632125	632125	632125	-----	632125	632125
20	Wheel, Blower, CCW	667251	667251	667277	667277	667277	667295	667207	667295	667207	667277	667207	667277
21	Motor	904502	904502	662025	662025	622025	904502	902128	904502	902128	902346	902128	902346
	Motor Control Only	-----	-----	919483	919483	919483	-----	-----	-----	-----	-----	-----	-----
	Motor Only	-----	-----	622183	622183	622183	-----	-----	-----	-----	-----	-----	-----
22	Motor Mount Replacement Kit	913871	913871	903489	903489	903489	-----	913871	-----	913871	913489	913871	903489
24	Complete Blower Assembly	902814	902814	904076	904076	904076	903443	902815	903443	902815	902816	902815	902816
25	Transformer, 40 VA, 120V	621486	621486	621486	621486	621486	621486	621486	621486	621486	621486	621486	621486
26	Control, Integrated	903106	903106	903106	903106	903106	903106	903106	903106	903106	903106	903106	903106
27	Door Set	904170	904170	904171	904171	904172	904171	904171	904171	904171	904171	904172	904172
28	3 AMP Circuit Board Fuse (Not Shown)	632261	632261	632261	632261	632261	632261	632261	632261	632261	632261	632261	632261
29	Blower Deck Limit 135°F	-----	-----	626464	626464	626481	626464	626464	626464	626464	626481	626481	626481
30	Relay DPST (Not Shown)	621867	621867	621867	621867	621867	621867	621867	621867	621867	621867	621867	621867
31	Harness, Low Voltage (Not Shown)	-----	-----	634639	634639	634639	-----	-----	-----	-----	-----	-----	-----
32													
33	Capacitor, 5 MFD, 370V (Not Shown)	622131	622131	-----	-----	-----	622131	-----	-----	-----	-----	-----	-----
	Capacitor, 10 MFD, 370V (Not Shown)	-----	-----	-----	-----	-----	-----	622133	622133	622133	622133	622133	622133

Note Replace gasket (Item 16) whenever collector pan assembly (Item 11) is removed

PGF1TA 80+ Upflow/Horizontal

NOTE: Effective with Models produced after 06/06

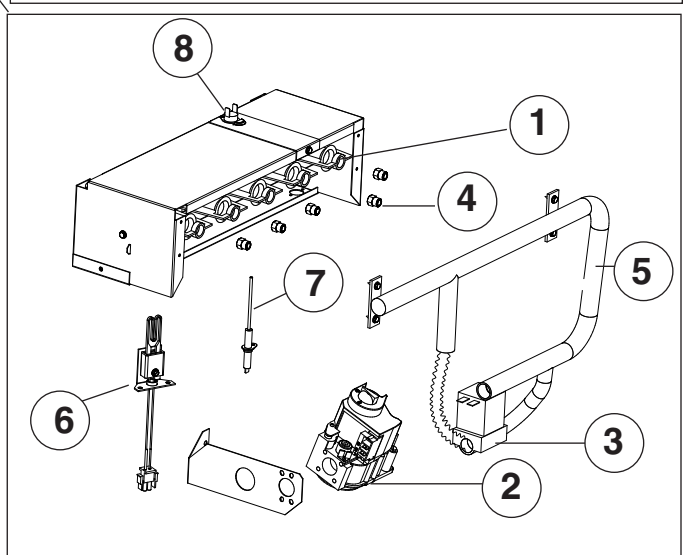
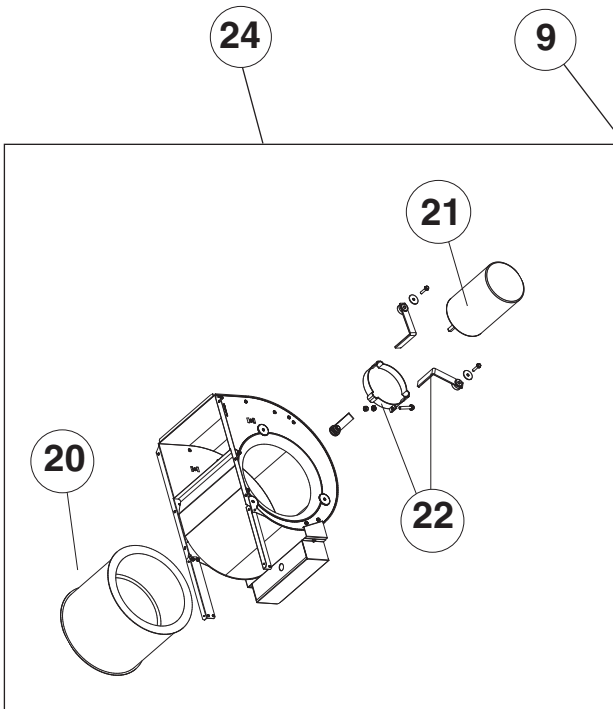
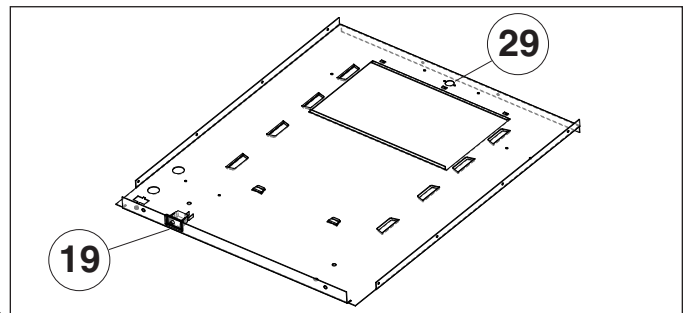
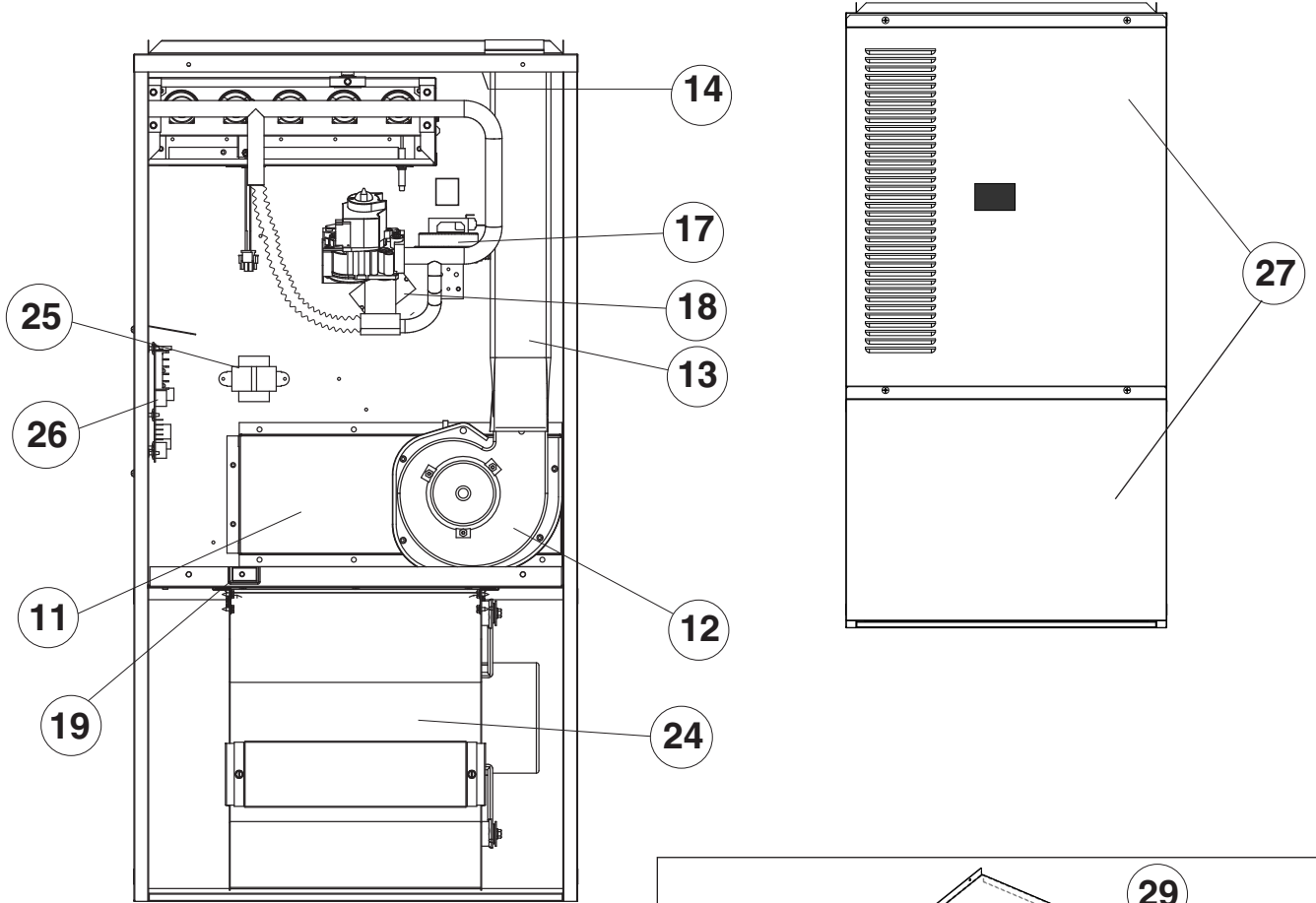


Residential 80+ 2-Stage Upflow/Horizontal Furnace Model PGF1TA

ITEM NO.	DESCRIPTION	072-VB(A)	100-VB(A)	120-VC(A)	060-08A	060-12A	072-12B	072-16B	100-12B	100-16B	120-16C	120-20C
1	Inshot Burner	660812	660812	660812	660812	660812	660812	660812	660812	660812	660812	660812
2	Gas Valve	624657	624657	624657	624657	624657	624657	624657	624657	624657	624657	624657
3	Solenoid Gas Valve -Secondary	624649	624649	624649	624649	624649	624649	624649	624649	624649	624649	624649
4	Orifice, Main Burner, No. 45	-	661045	-	661045	-	-	-	661045	-	-	-
4	Orifice, Main Burner, No. 43	661043	-	661043	-	-	661043	661043	-	-	661043	661043
5	Manifold Tube	663835	663835	663835	664181	663949	663949	663949	663835	663835	663835	663835
6	Replacement Igniter Kit (Not Shown)	903758	903758	903758	903758	903758	903758	903758	903758	903758	903758	903758
7	Flame Sensor	632396	632396	632396	632396	632396	632396	632396	632396	632396	632396	632396
8	Flame Roll-Out Limit, 300°F, Top	626343	626343	626343	626343	626343	626343	626343	626343	626343	626343	626343
8a	Flame Roll-out, Limit, Left (Not Shown)	None	626355(240F)	626350(260F)	-	-	626355(240F)	626355(240F)	626350(260F)	626350(260F)	626350(260F)	626350(260F)
8b	Flame Roll-out, Limit, Right (Not Shown)	626343	None	None	-	-	None	None	None	None	-	-
9	Complete Burner Assembly	M0012901R	M0012902R	M0012903R	M0012904R	M0012904R	M0012901R	M0012901R	M0012902R	M0012902R	M0012903R	M0012903R
10	Heat Exchanger (Not Shown)	493213R	493216R	493217R	493212R	493212R	493213R	493213R	493217R	493217R	493217R	493217R
11	Collector Pan Assembly	M0013201R	M0013202R	M0013203R	M0013203R	M0013203R	M0013201R	M0013201R	M0013203R	M0013203R	M0013203R	M0013203R
12	Inducer Blower with Gasket	903111	903111	903111	903111	903111	903111	903111	903111	903111	903111	903111
13	Tube, Combustion	374670	374670	374670	374670	374670	374670	374670	374670	374670	374670	374670
14	Vent Assembly	277592	277592	277593	277592	277592	277592	277592	277593	277593	277592	277592
15	Hose, High-Temp. Silicone (Not Shown)	263967	263967	263967	263967	263967	263967	263967	263967	263967	263967	263967
16	Gasket, Collector Pan (Not Shown)	689072	689072	689073	689071	689071	689072	689072	689073	689073	689073	689073
17	Pressure Switch	632427	632427	632427	632427	632427	632427	632427	632427	632427	632427	632427
	Main Air Limit (280°F)	626526	-	-	626526	626526	626526	626526	-	-	-	-
	Main Air Limit (210°F)	-	626425	-	-	-	-	-	626425	626425	-	-
	Main Air Limit (180°F)	-	-	626434	-	-	-	-	-	-	626434	-
18	Main Air Limit (150°F)	-	-	-	626418	626418	-	-	-	-	-	-
19	Switch, Door	632125	632125	632125	632125	632125	632125	632125	632125	632125	632125	632125
20	Wheel, Blower, CCW	667295	667271	667277	667251	667251	667295	667271	667295	667271	667277	667277
21	Motor	622025	622025	622025	902127	902127	902127	904341	902127	902128	902346	902346
22	Replacement Motor Mount Kit	903489	903489	903489	-	-	-	913871	-	913871	903489	903489
23	Relay DPST	621867	621867	621867	621867	621867	621867	621867	621867	621867	621867	621867
24	Complete Blower Assembly	904261	904076	904076	902814	902814	904201	904200	904201	902815	902816	902816
25	Transformer, 40 VA, 120V	621486	621486	621486	621486	621486	621486	621486	621486	621486	621486	621486
26	Control, Integrated	903106	903106	903106	903106	903106	903106	903106	903106	903106	903106	903106
	Capacitor, 5 MFD, 370v (Not Shown)	-	-	-	622131	622131	622131	-	622131	-	-	-
27	Capacitor, 10 MFD, 370v (Not Shown)	-	-	-	-	-	622133	622133	-	622133	622133	622133
28	3 AMP Circuit Board Fuse (Not Shown)	632261	632261	632261	632261	632261	632261	632261	632261	632261	632261	632261
29	Blower Deck Limit 135°F	626464	626464	626481	-	626464	626464	626464	626481	626481	626481	626481
30	Relay (Not Shown)	-	-	-	621898	621898	621898	621898	621898	621898	621898	621898
31	Door Set (Not Shown)	904171	904171	904172	904170	904170	904171	904171	904171	904171	904172	904172
32	Harness, Low Voltage	634639	634639	634639	-	-	-	-	-	-	-	-
33	Vent Switch	-	-	-	626354	626354	-	-	-	-	-	-

Note
Replace gasket (Item 16) whenever collector pan assembly (Item 11) is removed

PGF1TA 80+ Upflow/Horizontal



Residential 80+ Downflow Furnace Model *PGF1TK

NOTE: Effective with Models produced after 06/06

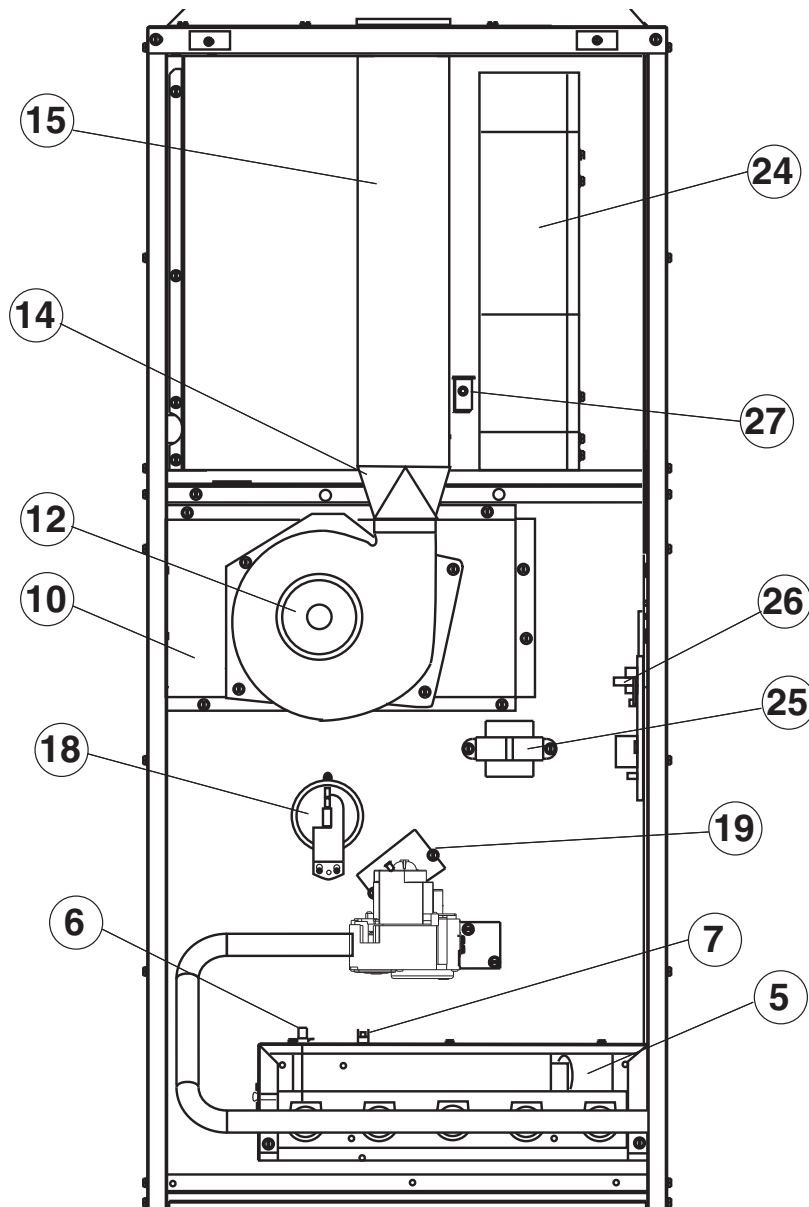
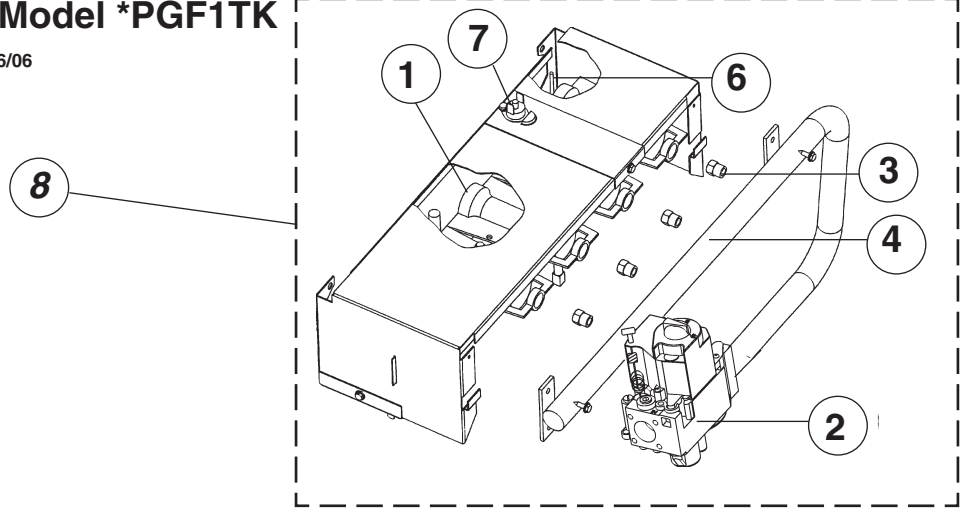
ITEM NO.	DESCRIPTION	060-08A	060-12A	072-12B	072-16B	096-12B	096-16B	096-20B	120-16B	120-20B
1	Inshot Burner	660812	660812	660812	660812	660812	660812	660812	660812	660812
2	Gas Valve - Two Stage	624652	624652	624652	624652	624652	624652	624652	624652	624652
3	Orifice, Main Burner	661045	661045	661043	661043	661043	661043	661043	661043	661043
4	Manifold Tube	663550	663550	663550	663550	663551	663551	663551	663552	663552
5	Replacement Igniter Kit (Not Shown)	903758	903758	903758	903758	903758	903758	903758	903758	903758
6	Flame Sensor	632396	632396	632396	632396	632396	632396	632396	632396	632396
7	Flame Roll-Out Switch (260°F)	626350	626350	626350	626350	626350	626350	626350	626350	626350
8	Complete Burner Assembly	M0000456R	M0000456R	M0000457R	M0000457R	M0000458R	M0000458R	M0000458R	M0000459R	M0000459R
9	Heat Exchanger Assembly (Not Shown)	D06510R	D06510R	493641R	493641R	493642R	493642R	493642R	493643R	493643R
10 ¹	Collector Pan Assembly	158626R	158626R	158628R	158628R	158629R	158629R	158629R	158629R	158629R
11	Gasket, Collector Pan (Not Shown)	689531	689531	689072	689072	689072	689072	689072	689072	689072
12	Inducer Blower with Gasket	903111	903111	903111	903111	903111	903111	903111	903111	903111
13	Gasket, Inducer (Not Shown)	689079	689079	689079	689079	689079	689079	689079	689079	689079
14	Adaptor, 4" Round Assembly	368342R	368342R	368342R	368342R	368342R	368342R	368342R	368342R	368342R
15	Tube, Combustion, Insulated	262810R	262810R	262810R	262810R	262810R	262810R	262810R	262810R	262810R
16	Switch, Vent Limit, 250 °F (Not Shown)	626463	626463	626463	626463	626463	626463	626463	626463	626463
17	Hose, High-Temperature Silicone (Not Shown)	263967	263967	263967	263967	263967	263967	263967	263967	263967
18	Switch, Pressure	632427	632427	632427	632427	632427	632427	632427	632427	632427
19	Main Air Limit	626424	626424	626449	626449	626424	626449	626449	626435	626435
20	Wheel Blower CCW (Not Shown)	667251	667251	667295	667207	667037	667207	667280	667207	667280
21	Motor - 1/3 HP (Not Shown)	904502	904502	904502	-----	904502	-----	-----	-----	-----
	Motor - 1/2 HP (Not Shown)	-----	-----	-----	902128	-----	902128	-----	902128	-----
	Motor - 3/4 HP (Not Shown)	-----	-----	-----	-----	-----	-----	904342	-----	904342
22	Capacitor, 5 MFD, 370V (Not Shown)	622131	622131	622131	-----	-----	-----	-----	-----	-----
	Capacitor, 10 MFD, 370V (Not Shown)	-----	-----	-----	622133	622133	622133	622133	622133	622133
23	Deck Limit (Not Shown)	626439	626439	626462	626462	626443	626443	626443	626439	626439
24	Blower Assembly	902814	902814	904201	902815	902912	902815	904208	902815	904208
25	Transformer, 40 VA, 120V	621486	621486	621486	621486	621486	621486	621486	621486	621486
26	Integrated Control	903106	903106	903106	903106	903106	903106	903106	903106	903106
27	Door Switch	632125	632125	632125	632125	632125	632125	632125	632125	632125
28	Motor Mount Replacement Kit (Not Shown)	913871	913871	913871	913871	913871	913871	903489	913871	903489
29	Door Set (Not Shown)	904170	904170	904171	904171	904171	904171	904171	904171	904171
30	Relay DPST (Not Shown)	621867	621867	621867	621867	621867	621867	621867	621867	621867
32 ²	Sub-base Kit (Not Shown)	902974	902974	902677	902677	902677	902677	902677	902677	902677

¹ Replace gasket whenever collector pan assembly (Item 11) is removed.

² 904165, Universal Sub-base Kit can also be used on all cabinets.

2-Stage 80+ Downflow Model *PGF1TK

NOTE: Effective with Models produced after 06/06



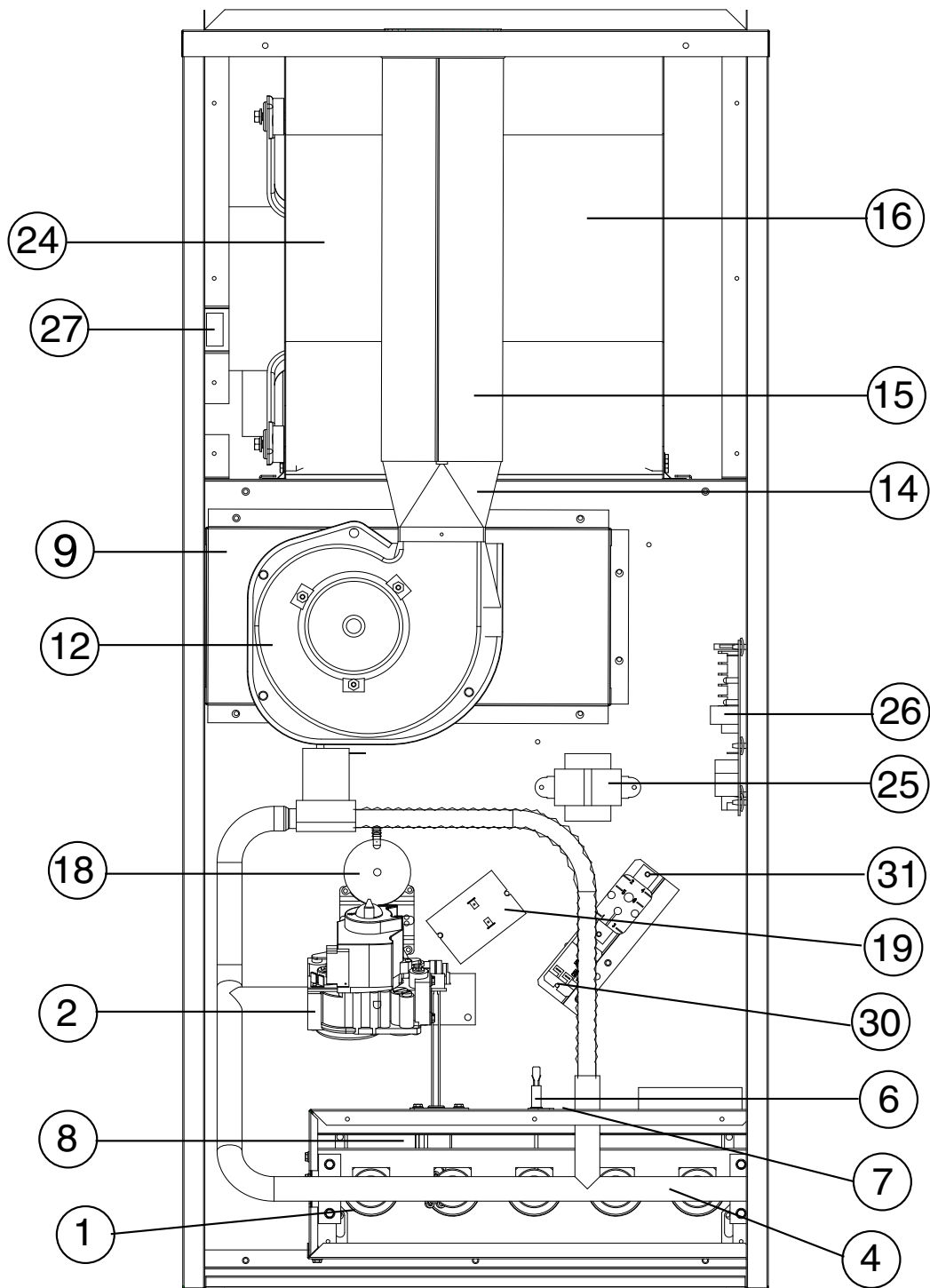
Residential 80+ Downflow Furnace Model PGF1TK

ITEM NO.	DESCRIPTION	060-08A	060-12A	072-12B	072-16B	100-12B	100-16B	100-20B	120-16B	120-20B
1	Inshot Burner	660812	660812	660812	660812	660812	660812	660812	660812	660812
2	Gas Valve	624657	624657	624657	624657	624657	624657	624657	624657	624657
3	Orifice, Main Burner	661045	661045	661043	661043	661045	661045	661045	661043	661043
4	Manifold Tube	664181	664181	663949	663949	663835	663835	663835	663835	663835
5	Replacement Igniter Kit (Not Shown)	903758	903758	903758	903758	903758	903758	903758	903758	903758
6	Flame Sensor	632396	632396	632396	632396	632396	632396	632396	632396	632396
7	Flame Roll-Out Switch (260°F)	626350	626350	626350	626350	626350	626350	626350	626350	626350
8	Complete Burner Assembly	M0000440R	M0000440R	D03952R	D03952R	M0000438R	M0000438R	M0000438R	M0000439R	M0000439R
9	Heat Exchanger Assembly (Not Shown)	D06510R	D06510R	493641R	493641R	493643R	493643R	493643R	493643R	493643R
10	Collector Pan Assembly	158626R	158626R	158628R	158628R	158629R	158629R	158629R	158629R	158629R
11	Gasket, Collector Pan (Not Shown)	689531	689531	689072	689072	689072	689072	689072	689072	689072
12	Inducer Blower with Gasket	903111	903111	903111	903111	903111	903111	903111	903111	903111
13	Gasket, Inducer (Not Shown)	689079	689079	689079	689079	689079	689079	689079	689079	689079
14	Adaptor, 4" Round Assembly	368342R	368342R	368342R	368342R	368342R	368342R	368342R	368342R	368342R
15	Tube, Combustion, Insulated	262810R	262810R	262810R	262810R	262810R	262810R	262810R	262810R	262810R
16	Switch, Vent Limit, 250 °F (Not Shown)	626463	626463	626463	626463	626463	626463	626463	626463	626463
17	Hose, High-Temperature Silicone (Not Shown)	263967	263967	263967	263967	263967	263967	263967	263967	263967
18	Switch, Pressure	632424	632424	632424	632424	632424	632424	632424	632424	632424
19	Main Air Limit	626424	626424	626449	626449	626435	626435	626435	626435	626435
20	Wheel Blower CCW (Not Shown)	667251	667251	667295	667271	667271	667271	667277	667271	667277
21	Motor - 1/3 HP (Not Shown)	902127	902127	902127	-	-	-	-	-	-
	Motor - 1/2 HP (Not Shown)	-	-	-	902128	902128	902128	-	902128	-
	Motor - 3/4 HP (Not Shown)	-	-	-	-	-	-	904342	-	904342
22	Capacitor, 5 MFD, 370V (Not Shown)	622131	622131	622131	-	622133	-	-	-	-
	Capacitor, 10 MFD, 370V (Not Shown)	-	-	-	622133	-	622133	622133	622133	622133
23	Deck Limit, (Not Shown)	626439	626439	626462	626462	-	-	-	-	-
24	Blower Assembly	902814	902814	904201	902815	902815	902815	904208	902815	904208
25	Transformer, 40 VA, 120V	621486	621486	621486	621486	621486	621486	621486	621486	621486
26	Integrated Control	903106	903106	903106	903106	903106	903106	903106	903106	903106
27	Door Switch	632125	632125	632125	632125	632125	632125	632125	632125	632125
28	Motor Mount Kit (Not Shown)	-	-	-	913871	913871	913871	903489	913871	903489
29	Door Set (Not Shown)	904170	904170	904171	904171	904171	904171	904171	904171	904171
30	Relay	621898	621898	621898	621898	621898	621898	621898	621898	621898
31	Relay - DPST	621867	621867	621867	621867	621867	621867	621867	621867	621867
32	Sub-base Kit	902974	902974	902677	902677	902677	902677	902677	902677	902677
33 ²	Solenoid Gas Valve - Secondary	624649	624649	624649	624649	624649	624649	624649	624649	624649

¹ Replace gasket whenever collector pan assembly (Item 11) is removed.

² 904165, Universal Sub-base Kit can also be used on all cabinets.

PGF1TK 80+ Downflow

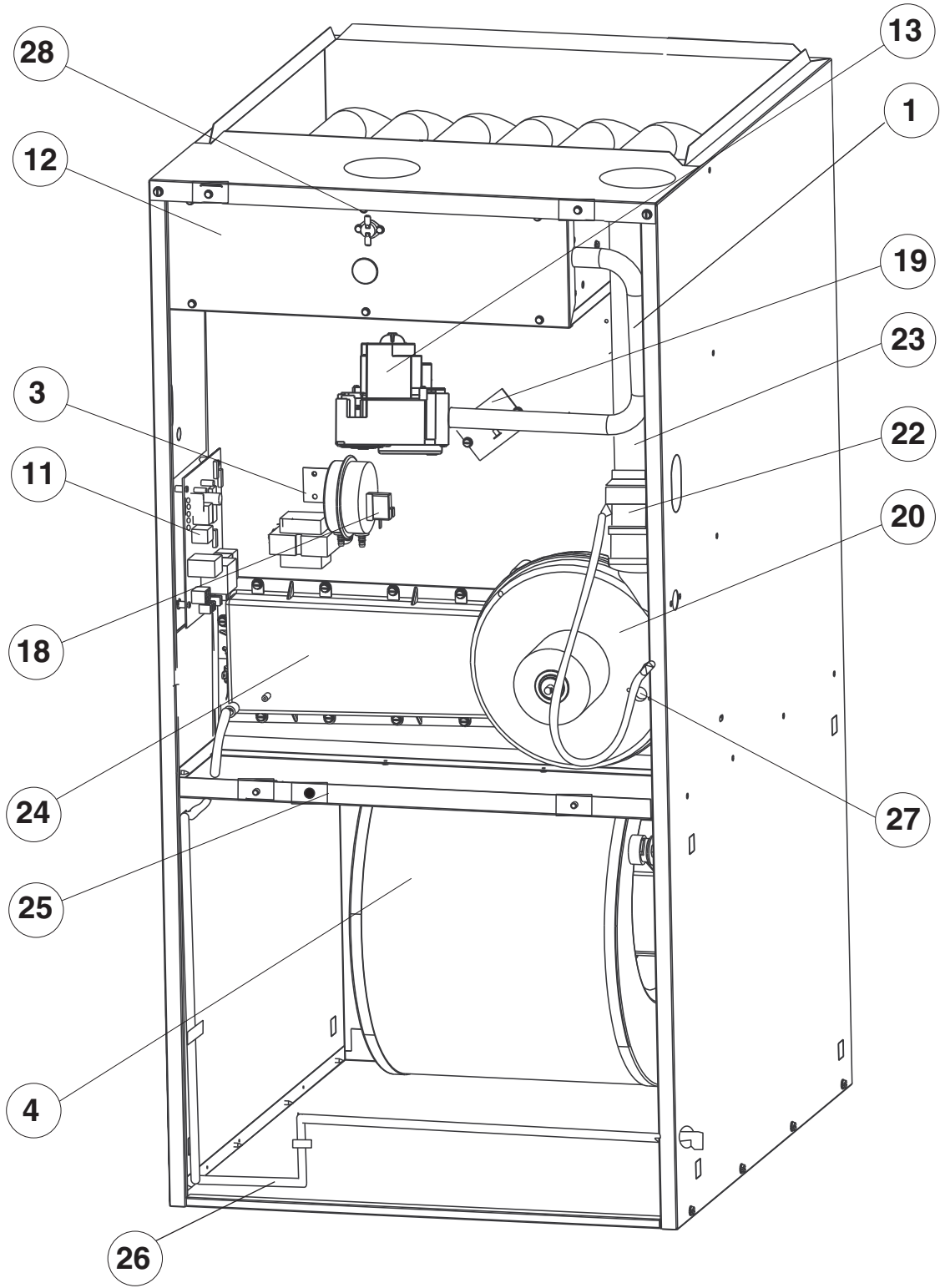


Residential 92+ Upflow/Horizontal Condensing Furnace Model PGF1RC

ITEM NO.	DESCRIPTION	040-08	040-12	060-12	080-12	080-16	100-16	120-16	120-20
1	Manifold Tube	663549	663549	663550	663551	663551	663552	663553	663553
2	Door Set (Not Shown)	904173	904173	904173	904174	904174	904174	904175	904175
3	Transformer	621486	621486	621486	621486	621486	621486	621486	621486
4	Blower Assembly	902813	902814	902814	904200	902815	902815	902815	902816
5	Motor - 1/5 HP (3 Speed) (Not Shown)	902126	-	-	-	-	-	-	-
	Motor - 1/3 HP (3 Speed) (Not Shown)	-	902127	902127	-	-	-	-	-
	Motor - 1/2 HP (4 Speed) (Not Shown)	-	-	-	904341	902128	902128	902128	-
	Motor - 3/4 HP (4 Speed) (Not Shown)	-	-	-	-	-	-	-	902346
6	Blower Wheel CCW (Not Shown)	667251	667251	667251	667271	667271	667271	667271	667277
7	Capacitor, 5 MFD, 370V (Not Shown)	622131	622131	622131	622131	-	-	-	-
	Capacitor, 10 MFD, 370V (Not Shown)	-	-	-	-	622133	622133	622133	622133
8	Replacement Motor Mount Kit	-	-	-	-	913871	913871	913871	903489
10	Heat Exchanger Assembly (Not Shown)	D04580R	D04580R	D04590R	D04540R	D04540R	D04550R	D04520R	D04520R
11	Integrated Control Board	903106	903106	903106	903106	903106	903106	903106	903106
12	Burner Box Assembly	D11031R	D11031R	D11041R	D11051R	D11051R	D11061R	D11071R	D11071R
13	Gas Valve	624657	624657	624657	624657	624657	624657	624657	624657
14	Replacement Igniter Kit (Not Shown)	903758	903758	903758	903758	903758	903758	903758	903758
15	Flame Sensor (Not Shown)	632396	632396	632396	632396	632396	632396	632396	632396
16	Orifice Natural Gas, #45 (Not Shown)	661045	661045	661045	661045	661045	661045	661045	661045
17	Inshot Burner (Not Shown)	660812	660812	660812	660812	660812	660812	660812	660812
18	Pressure Switch	632444	632444	632444	632444	632444	632444	632444	632444
19	Limit Switch (175°F)	-	-	626424	-	-	-	-	-
	Limit Switch (195°F)	-	-	-	-	-	-	-	626419
	Limit Switch (210°F)	626425	626425	-	-	-	626425	-	-
	Limit Switch (220°F)	-	-	-	-	-	-	626435	-
	Limit Switch (250°F)	-	-	-	626449	626449	-	-	-
20	Blower, Inducer (with gasket)	903962	903962	903962	903962	903962	903962	903962	903962
21	Orifice, Inducer (Not Shown)	151885R	151885R	151882R	151888R	151888R	151888R	N/A	N/A
22	Coupling Neoprene	663709	663709	663709	663709	663709	663709	663709	663709
23	In-Line Drain Assembly	663714	663714	663714	663714	663714	663714	663714	663714
24	Box, Header Outlet Plus Sealant	903105	903105	903105	903104	903104	903104	901103	903103
25	Door Switch	632125	632125	632125	632125	632125	632125	632125	632125
26	J Trap Hard Tube	663706	663706	663706	663706	663706	663706	663706	663706
27	Vent Safety Limit Switch	626461	626461	626461	626461	626461	626461	626461	626461
28	Roll-Out Limit Switch	626422	626422	626422	626422	626422	626422	626422	626422
29	Turbulator (Not Shown)	663904	663904	663904	663904	663904	663904	663904	663904
30	Hose, High-Temperature Silicone (Not Shown)	263967	263967	263967	263967	263967	263967	263967	263967

* Note: Effective Date: 09/01/01

PGF1RC 92+ Upflow/Horizontal



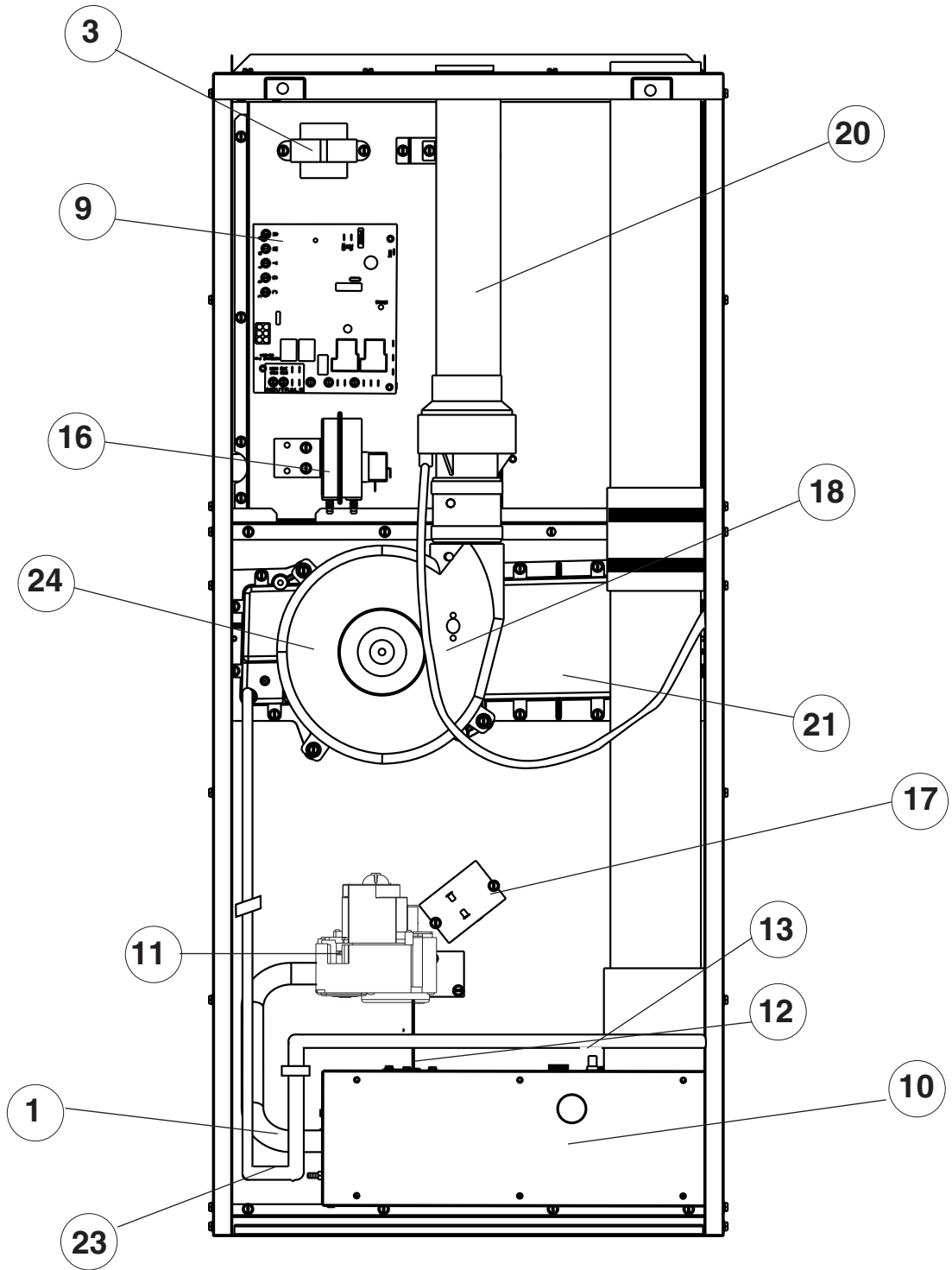
Residential 90+ Downflow Condensing Furnace Model PGF1RL

ITEM NO.	DESCRIPTION	040-12	060-12	080-16	100-16	120-20
1	Manifold Tube	663647	663648	663649	663650	663988
2	Door Set (Not Shown)	904173	904173	904174	904174	904175
3	Transformer	621486	621486	621486	621486	621486
4	Blower Assembly (Not Shown)	902814	902814	902815	902815	902816
5	Motor-1/3 H.P. (Not Shown)	902127	902127	-	-	-
	Motor-1/2 H.P. (Not Shown)	-	-	902128	902128	-
	Motor-3/4 H.P. (Not Shown)	-	-	-	-	902346
6	Blower Wheel CCW (Not Shown)	667251	667251	667271	667271	667277
7	Capacitor, 5 MFD, 370V (Not Shown)	622131	622131	-	-	-
	Capacitor, 10 MFD, 370V (Not Shown)	-	-	622133	622133	622133
8	Heat Exchanger Assembly (Not Shown)	D00601R	D00602R	D00603R	D00604R	M0000232R
9	Integrated Control Board	903106	903106	903106	903106	903106
10	Burner Box Assembly	D04100R	D04110R	D04120R	D04130R	M0000434R
11	Gas Valve	624657	624657	624657	624657	624657
12	Replacement Igniter Kit (Not Shown)	903758	903758	903758	903758	903758
13	Flame Sensor	632396	632396	632396	632396	632396
14	Orifice Natural Gas, #45 (Not Shown)	661045	661045	661045	661045	661045
15	Inshot Burner (Not Shown)	660812	660812	660812	660812	660812
16	Pressure Switch	632448	632448	632444	632444	632447
17	Limit Switch (140°F)		626446	-	-	-
	Limit Switch (150°F)	626418	-	-	626418	-
	Limit Switch (185°F)	-	-	-	-	626445
	Limit Switch (240°F)	-	-	626425	-	-
18	Blower, Inducer (with gasket)	903962	903962	903962	903962	904085
19	Orifice, Inducer (Not Shown)	151881R	151887R	151888R	151888R	151886R
20	In-Line Drain Assembly	663714	663714	663714	663714	663891
21	Box, Header Outlet With Sealant	903105	903105	903104	903104	903103
22	Switch, Door (Not Shown)	632125	632125	632125	632125	632125
23	J Trap Hard Tube	663706	663706	663706	663706	663706
24	Vent Safety Limit Switch (160F)	626461	626461	626461	626461	626529
25	Roll-Out Limit Switch (155F) (Not Shown)	626422	626422	626422	626422	626422
26	Limit Switch, Auxillary (120F) (Not Shown)	626444	626444	626444	626444	N/A
27 ¹	Turbulator (Not Shown)	663904	663904	663904	663904	663904
28	Sub-base Kit (Not Shown)	902974	902974	902677	902677	904108

-*904165, Universal Sub-base Kit can also be used on all cabinets.

-Effective Date: 01/05

PGF1RL 90+ Downflow

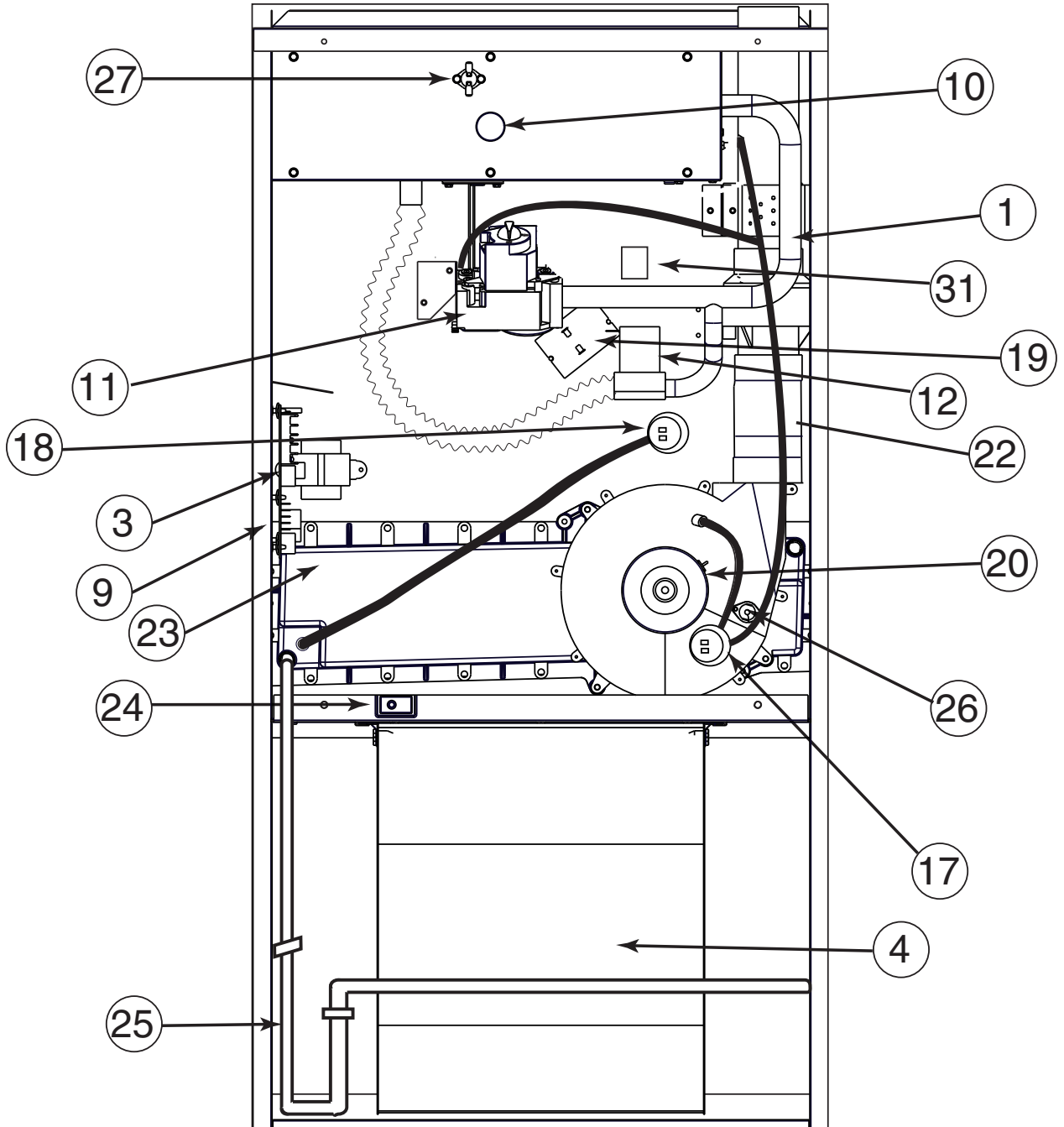


Residential 92+ 2-Stage Upflow Condensing Furnace Model PGF1TC-A

ITEM NO.	DESCRIPTION	060-VB(A)	080-VB(A)	092-VB(A)	110-VC(A)
1	Manifold Tube	663949	663835	663835	663836
2	Door Set (Not Shown)	904174	904174	904174	904175
3	Transformer	621486	621486	621486	621486
4	Blower Assembly (Not Shown)	904076	904076	904076	904076
5	Motor- H.P. 4 Speed (Not Shown)	622025	622025	622025	622025
6	Blower Wheel CCW (Not Shown)	667280	667280	667280	667280
7	Motor Mount Kit (Not Shown)	903489	903489	903489	903489
8	Heat Exchanger Assembly (Not Shown)	M0000233R	M0000227R	M0000227R	M0000232R
9	Integrated Control Board	903106	903106	903106	903106
10	Burner Box Assembly	M0000431R	M0000435R	M0000428R	M0000429R
11	Gas Valve - Two stage	624657	624657	624657	624657
12	Solenoid Gas Valve - Secondary	624649	624649	624649	624649
13	Replacement Igniter Kit (Not Shown)	903758	903758	903758	903758
14	Flame Sensor (Not Shown)	632396	632396	632396	632396
15	Orifice Natural Gas, #45 (Not Shown)	661045	661048	661047	661047
16	Inshot Burner (Not Shown)	660812	660812	660812	660812
17	Pressure Switch - Normally Open	632447	632412	632447	632447
18	Condensate Pressure Switch - Normally Open	632443	632443	632443	632443
19	Main Air Limit (175°F)	-	-	-	-
	Main Air Limit (250°F)	-	-	-	-
	Main Air Limit (210°F)	626425	626425	-	626425
	Main Air Limit (220°F)	-	-	-	-
	Main Air Limit (230°F)	-	-	626542	-
	Main Air Limit (140°F)	-	-	-	-
20	Blower, Inducer (with gasket)	904085	904085	904085	904085
21	Orifice, Inducer (Not Shown)	151882R	151882R	155316R	151886R
22	In-Line Drain Assembly	663891	663891	663891	663891
23	Box, Header Outlet With Sealant	903105	903105	903104	903103
24	Door Switch (Not Shown)	632125	632125	632125	632125
25	J Trap Hard Tube	663706	663706	663706	663706
26	Vent Safety Limit Switch (145°F)	626529	626529	626529	626529
27	Roll-Out Limit Switch (140°F) (Not Shown)	*626448	626533	-	-
	Roll-Out Limit Switch (155°F) (Not Shown)	-	-	626422	626422
30	Fuse, 3-Amp (Not Shown)	632261	632261	632261	632261
31	Relay (Not Shown)	621898	621898	621898	621898
32	Harness, Low Voltage	634639	634639	634639	634639

Note: "*" Air Stream Mount Limit., Effective Date: 12/04

92+ 2-Stage Upflow
Model PGF1TC-A



Residential 92+ 2-Stage Upflow Condensing Furnace Model PGF1TC-B

Note: Effective with models produced after 11/01/05

ITEM NO.	DESCRIPTION	060-VA(B)	080-VB(B)	100-VB(B)	120-VC(B)
1	Manifold Tube	663550	663551	663552	663553
2	Door Set (Not Shown)	904173	904174	904174	904175
3	Transformer	621486	621486	621486	621486
4	Blower Assembly (Not Shown)	904364	904076	904076	904076
5	Motor- H.P. VS (Not Shown)	622179	622025	622025	622025
	Motor Control Only	919472	919483	919483	919483
	Motor Only	622182	622183	622183	622183
6	Blower Wheel CCW (Not Shown)	667251	667280	667280	667280
7	Motor Mount Kit (Not Shown)	903489	903489	903489	903489
8	Heat Exchanger Assembly (Not Shown)	D04590R	D04540R	D04550R	D04520R
9	Integrated Control Board	903106	903106	903106	903106
10	Burner Box Assembly	M0000441R	M0000442R	M0000443R	M0000444R
11	Gas Valve - Two stage	624652	624652	624652	624652
13	Replacement Igniter Kit (Not Shown)	903758	903758	903758	903758
14	Flame Sensor (Not Shown)	632396	632396	632396	632396
15	Orifice Natural Gas, #45 (Not Shown)	661045	661045	661045	661045
16	Inshot Burner (Not Shown)	660812	660812	660812	660812
17	Pressure Switch - Normally Open	632447	632447	632447	632447
18	Condensate Pressure Switch - Normally Open	632443	632443	632443	632443
19	Main Air Limit (175°F)	626424	-	-	-
	Main Air Limit (250°F)	-	626449	-	-
	Main Air Limit (210°F)	-	-	626425	-
	Main Air Limit (220°F)	-	-	-	626435
20	Blower, Inducer (with gasket)	904085	904085	904085	904085
21	Orifice, Inducer (Not Shown)	151881R	151883R	151884R	151884R
22	In-Line Drain Assembly	663891	663891	663891	663891
23	Box, Header Outlet With Sealant	903105	903105	903104	903103
24	Door Switch (Not Shown)	632125	632125	632125	632125
25	J Trap Hard Tube	663706	663706	663706	663706
26	Vent Safety Limit Switch (145°F)	626548	626548	626548	626548
27	Roll-Out Limit Switch (140°F) (Not Shown)	-	-	-	-
	Roll-Out Limit Switch (155°F) (Not Shown)	626422	626422	626422	626422
30	Fuse, 3-Amp (Not Shown)	632261	632261	632261	632261
32	Harness, Low Voltage	634662	634662	634662	634662

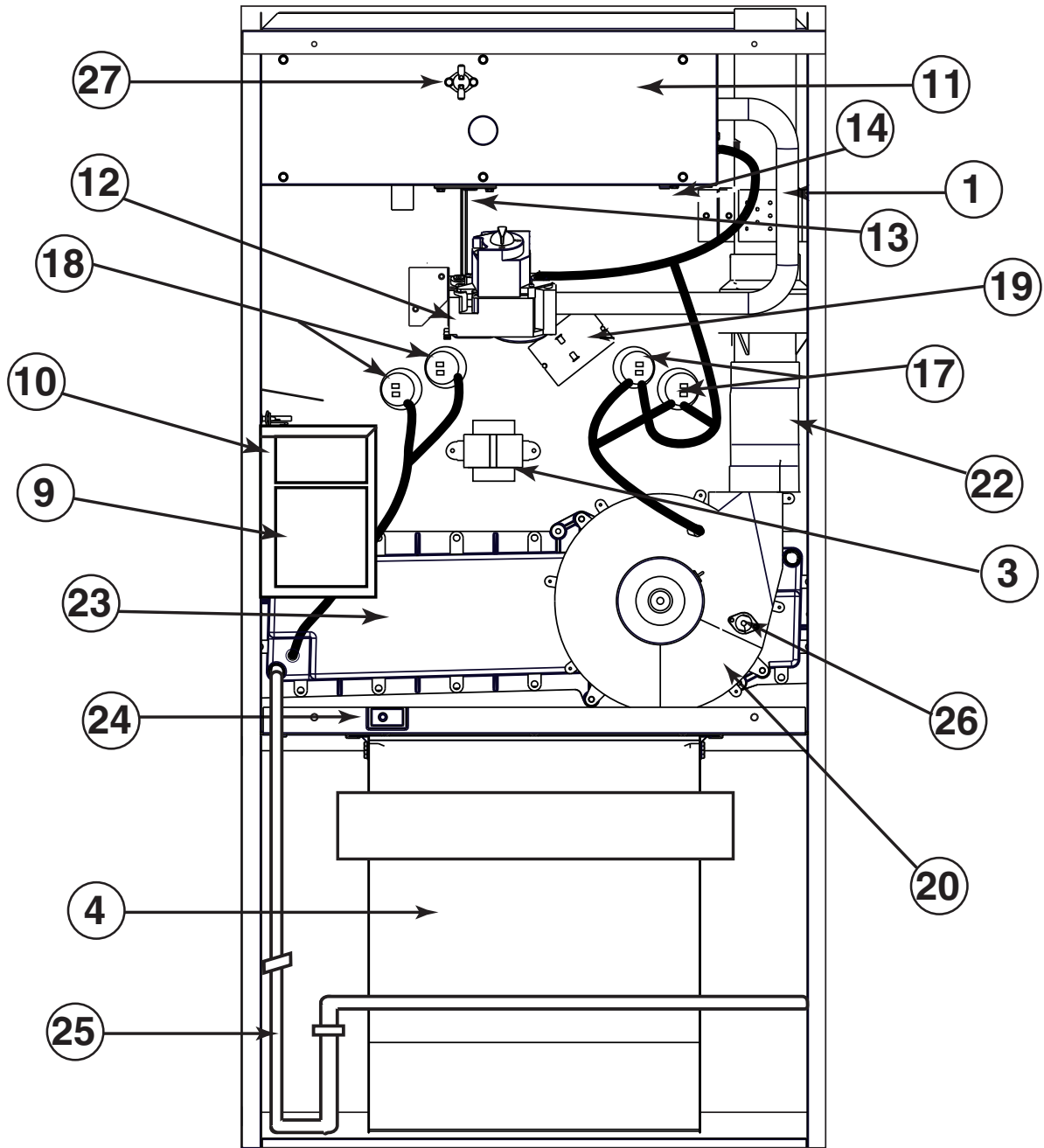
Note: *** Air Stream Mount Limit., Effective Date: 08/05

Residential 95+ 2-Stage Upflow Condensing Furnace Model PGF1TE

ITEM NO.	DESCRIPTION	060-VA	060-VB	080-VB	100-VB(B)	120-VC
1	Manifold Tube	663550	663551	663551	663552	663553
2	Door Set (Not Shown)	904173	904174	904174	904174	904175
3	Transformer	621486	621486	621486	621486	621486
4	Blower Assembly	904364	904076	904076	904076	904076
5	Motor- H.P. VS (Not Shown)	622179	622025	622025	622025	622025
	Motor Control Only	919472	919483	919483	919483	919483
	Motor Only	622182	622183	622183	622183	622183
6	Blower Wheel CCW (Not Shown)	667251	667280	667280	667280	667280
7	Motor Mount Kit (Not Shown)	903471	903489	903489	903489	903489
8	Heat Exchanger Assembly (Not Shown)	D04590R	D04540R	D04540R	D04550R	D04520R
9	Integrated Control Board	903106	903106	903106	903106	903106
10	Add-On Control	904580	904580	904580	904580	904580
11	Burner Box Assembly	M0000441R	M0000460R	M0000442R	M0000443R	M0000444R
12	Gas Valve - Two stage	624652	624652	624652	624652	624652
13	Replacement Igniter Kit (Not Shown)	903758	903758	903758	903758	903758
14	Flame Sensor	632396	632396	632396	632396	632396
15	Orifice Natural Gas, (Not Shown)	661045	661049	661045	661045	661045
16	Inshot Burner (Not Shown)	660812	660812	660812	660812	660812
17	Pressure Switch - 0.3"/0.7" Twin, Differential	632476	632476	632476	632476	632476
18	Pressure Switch - 0.3"/0.7" Twin	632477	632477	632477	632477	632477
19	Main Air Limit (210°F)	626425	626425	626425	626425	-
	Main Air Limit (200°F)	-	-	-	-	626467
20	Blower, Inducer (with gasket), 2-Speed	904573	904573	904573	904573	904573
21	Orifice, Inducer (Not Shown)	151885R	15317R	151881R	151882R	151883R
22	In-Line Drain Assembly	663891	663891	663891	663891	663891
23	Box, Header Outlet With Sealant	903105	903104	903104	903104	903103
24	Door Switch (Not Shown)	632125	632125	632125	632125	632125
25	J Trap Hard Tube	663706	663706	663706	663706	663706
26	Vent Safety Limit Switch (145°F)	626548	626548	626548	626548	626548
27	Roll-Out Limit Switch (155°F) (Not Shown)	626422	626422	626422	626422	626422
30	Fuse, 3-Amp (Not Shown)	632261	632261	632261	632261	632261
32	Harness, Low Voltage (Not Shown)	634662	634662	634662	634662	634662

Note: Effective Date: 08/06

95+ 2-Stage Upflow
Model PGF1TE

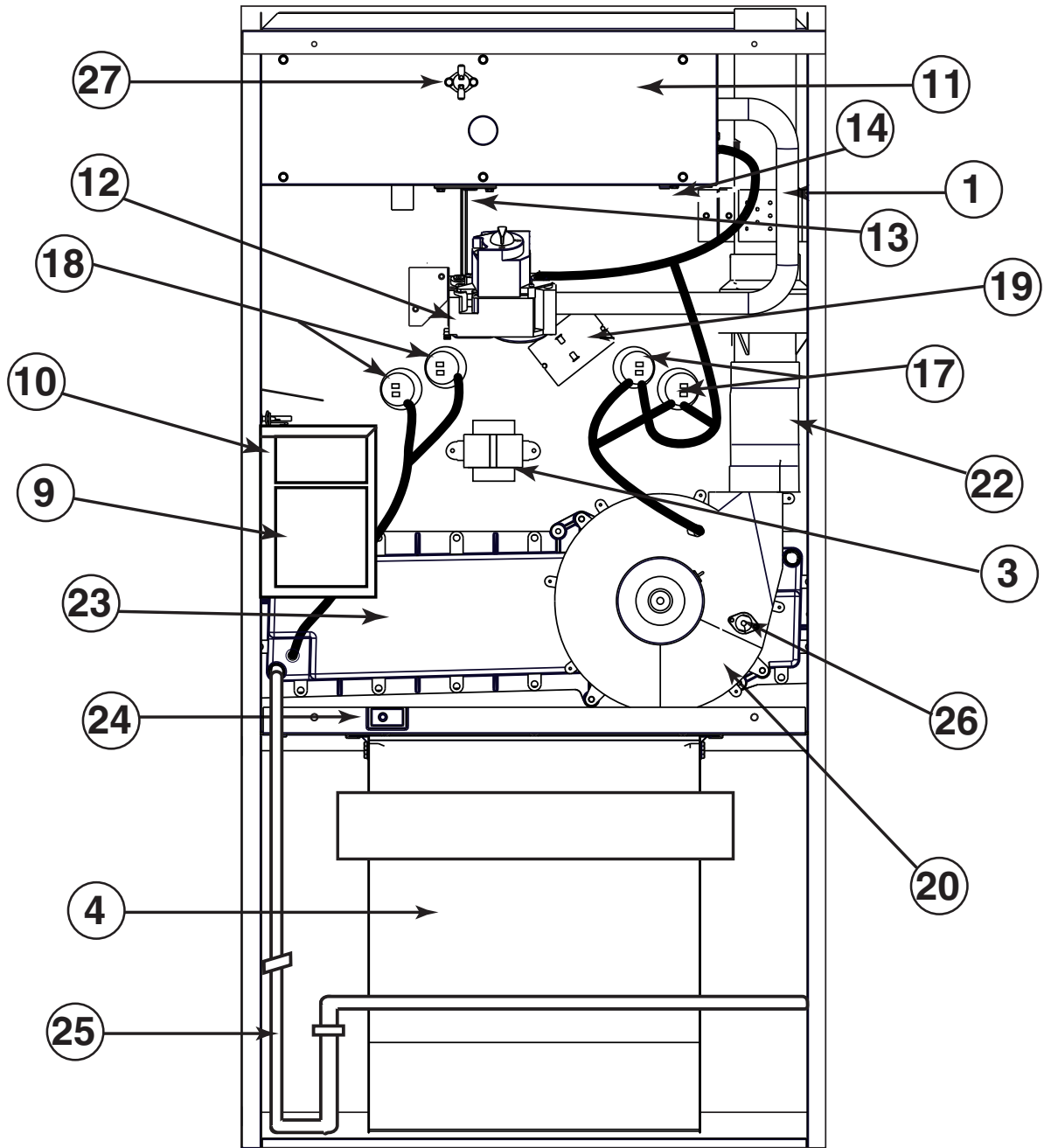


Residential 95+ 2-Stage Upflow Condensing Furnace IQ Drive Furnace

ITEM NO.	DESCRIPTION	060-IQ	080-IQ	100-IQ	120-IQ
1	Manifold Tube	663551	663551	663552	663553
2	Door Set (Not Shown)	904174	904174	904174	904175
3	Transformer	622037	622037	622037	622037
4	Blower Assembly	904621	904621	904621	904621
5	Motor (Programmed)	M0027301R	M0027301R	M0027301R	M0027301R
6	Blower Wheel CCW (Not Shown)	667280	667280	667280	667280
7	Motor Mount Kit (Not Shown)	903489	903489	903489	903489
8	Heat Exchanger Assembly (Not Shown)	D04540R	D04540R	D04550R	D04520R
9	Integrated Control Board	903106	903106	903106	903106
10	Add-On Control	904580	904580	904580	904580
11	Burner Box Assembly	M0000460R	M0000442R	M0000443R	M0000444R
12	Gas Valve - Two stage	624652	624652	624652	624652
13	Replacement Igniter Kit (Not Shown)	903758	903758	903758	903758
14	Flame Sensor (Not Shown)	632396	632396	632396	632396
15	Orifice Natural Gas, #45 (Not Shown)	661049	661045	661045	661045
16	Inshot Burner (Not Shown)	660812	660812	660812	660812
17	Pressure Switch - 0.3"/0.7" Twin, Differential	632476	632476	632476	632476
18	Pressure Switch - 0.3"/0.7" Twin	632477	632477	632477	632477
	Main Air Limit (210°F)	626425	626425	626425	-
19	Main Air Limit (200°F)	-	-	-	626467
20	Blower, Inducer (with gasket), 2-Speed	904573	904573	904573	904573
21	Orifice, Inducer (Not Shown)	155317R	151881R	151882R	151883R
22	In-Line Drain Assembly	663891	663891	663891	663891
23	Box, Header Outlet With Sealant	903104	903104	903104	903103
24	Door Switch (Not Shown)	632125	632125	632125	632125
25	J Trap Hard Tube	663706	663706	663706	663706
26	Vent Safety Limit Switch (145°F)	626548	626548	626548	626548
27	Roll-Out Limit Switch (155°F) (Not Shown)	626422	626422	626422	626422
30	Fuse, 3-Amp (Not Shown)	632261	632261	632261	632261
32	Harness, Low Voltage (Not Shown)	634662	634662	634662	634662

Note: Effective Date: 01/07

95+ 2-Stage Upflow Condensing Furnace IQ Drive Furnace



Residential 90+ 2-Stage Downflow Condensing Furnace Model PGF1TL-B

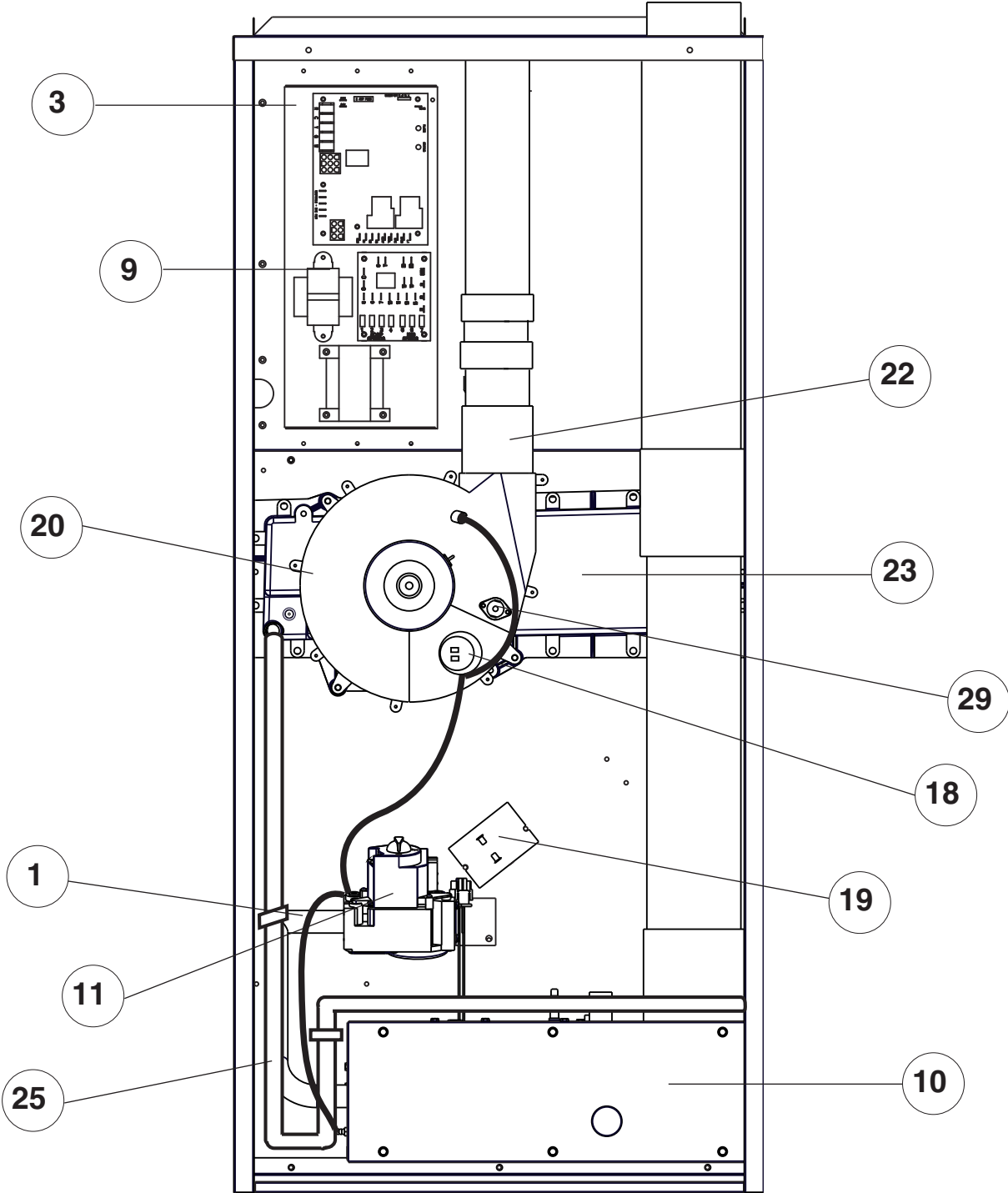
Note: Effective with models produced after 11/01/05

ITEM NO.	DESCRIPTION	060-VA(B)	080-VB(B)	100-VB(B)	120-VC(B)
1	Manifold Tube	663648	663649	663650	663988
2	Door Set (Not Shown)	904174	904174	904174	904175
3	Transformer	621486	621486	621486	621486
4	Blower Assembly (Not Shown)	904364	904076	904076	904076
5	Motor VS (Not Shown)	622179	622025	622025	622025
	Motor Control Only	919472	919483	919483	919483
	Motor Only	622182	622183	622183	622183
6	Blower Wheel CCW (Not Shown)	667251	667280	667280	667280
7	Motor Mount Kit (Not Shown)	903489	903489	903489	903489
8	Heat Exchanger Assembly (Not Shown)	D00602R	D00603R	D00604R	M0000232R
9	Integrated Control Board	903106	903106	903106	903106
10	Burner Box Assembly	M0000445R	M0000446R	M0000447R	M0000448R
11	Gas Valve Two stage	624652	624652	624652	624652
13	Replacement Igniter Kit (Not Shown)	903758	903758	903758	903758
14	Flame Sensor (Not Shown)	632396	632396	632396	632396
15	Orifice Natural Gas, #45 (Not Shown)	661045	661045	661045	661045
16	Inshot Burner (Not Shown)	660812	660812	660812	660812
17	Sub-Base Kit (Not Shown)	902677	902677	902677	904108
18	Pressure Switch	632447	632447	632447	632447
19	Main Air Limit (135°F)	626447	-	-	-
	Main Air Limit (210°F)	-	626425	-	-
	Main Air Limit (150°F)	-	-	626418	-
	Main Air Limit (165°F)	-	-	-	-
	Main Air Limit (185°F)	-	-	-	626445
20	Blower, Inducer (with gasket)	904085	904085	904085	904085
21	Orifice, Inducer (Not Shown)	151881R	151883R	151884R	151884R
22	In-Line Drain Assembly	663891	663891	663891	663891
23	Box, Header Outlet With Sealant	903105	903105	903104	903103
24	Door Switch (Not Shown)	632125	632125	632125	632125
25	J Trap Hard Tube	663706	663706	663706	663706
26	Vent Safety Limit Switch (145°F)	626548	626548	626548	626548
27	Roll-Out Limit Switch (155°F) (Not Shown)	626422	626422	626422	626422
28	Fuse, 3-Amp (Not Shown)	632261	632261	632261	632261
	Harness, Low Voltage	634662	634662	634662	634662

Note: Effective Date: 08/05

PGF1TL-B 90+ Downflow

Note: Effective with models produced after 11/01/05



Residential 90+ 2-Stage Downflow Condensing Furnace Model PGF1TL-A

ITEM NO.	DESCRIPTION	060-VB(A)	080-VB(A)	092-VB(A)	110-VC(A)
1	Manifold Tube	663969	663837	663837	663966
2	Door Set (Not Shown)	903113	903113	903113	903114
3	Transformer	621486	621486	621486	621486
4	Blower Assembly (Not Shown)	904076	904076	904076	904076
5	Motor VS (Not Shown)	622025	622025	622025	622025
	Motor Control Only	919483	919483	919483	919483
	Motor Only	622183	622183	622183	622183
6	Blower Wheel CCW (Not Shown)	667280	667280	667280	667280
7	Motor Mount Kit (Not Shown)	903489	903489	903489	903489
8	Heat Exchanger Assembly (Not Shown)	M0000233R	M0000229R	M0000229R	M0000232R
9	Integrated Control Board	903106	903106	903106	903106
10	Burner Box Assembly	M0000432R	M0000437R	M0000427R	M0000433R
11	Gas Valve Two stage	624646	624586	624646	624586
12	Solenoid Gas Valve - Secondary (Not Shown)	624649	624624	624624	624624
13	Replacement Igniter Kit (Not Shown)	903758	903758	903758	903758
14	Flame Sensor (Not Shown)	632396	632396	632396	632396
15	Orifice Natural Gas, #45 (Not Shown)	661045	661048	661047	661047
16	Inshot Burner (Not Shown)	660812	660812	660812	660812
17	Sub-Base Kit (Not Shown)	902677	902677	902677	904108
18	Pressure Switch	632447	632412	632447	632412
	Main Air Limit (165°F)	-	626432	-	-
	Main Air Limit (195°F)	-	-	-	626419
19	Main Air Limit (210°F)	626425	-	626425	-
20	Blower, Inducer (with gasket)	904085	904085	904085	904085
21	Orifice, Inducer (Not Shown)	151882R	151882R	155316R	151886R
22	In-Line Drain Assembly	663891	663891	663891	663891
23	Box, Header Outlet With Sealant	903105	903105	903104	903103
24	Door Switch (Not Shown)	632125	632125	632125	632125
25	J Trap Hard Tube	663706	663706	663706	663706
26	Vent Safety Limit Switch (145°F)	626529	626529	626529	626529
27	Roll-Out Limit Switch (140°F) (Not Shown)	-	626533	-	-
	Roll-Out Limit Switch (155°F) (Not Shown)	-	-	626422	626422
	Roll-Out Limit Switch (260°F) (Not Shown)	626350	-	-	-
28	Limit Switch, Auxillary (120°F) (Not Shown)	N/A	N/A	N/A	N/A
29	Turbulator (Not Shown)	N/A	N/A	N/A	N/A
30	Fuse, 3-Amp (Not Shown)	632261	632261	632261	632261
31	Relay	621898	621898	621898	621898
32	Harness, Low Voltage	634639	634639	634639	634639
33	Vent Switch	626548	626548	626548	626548

Note: Effective Date: 08/05

**90+ 2-Stage Downflow
Model PGF1TL-A**

