

VP513A & B High-Pressure Water Valve

INSTALLATION INSTRUCTIONS

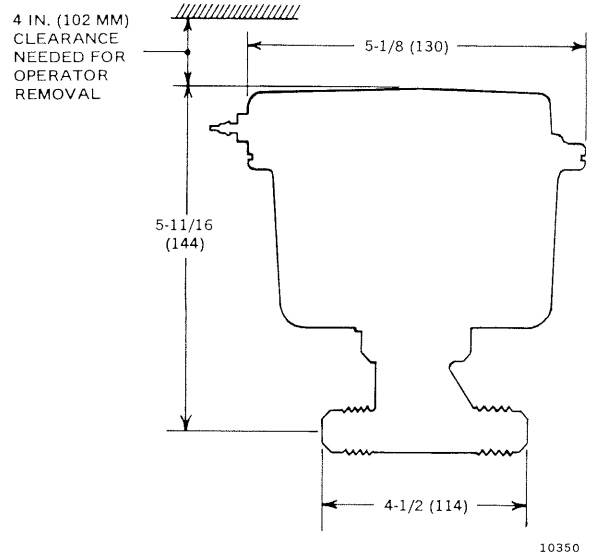
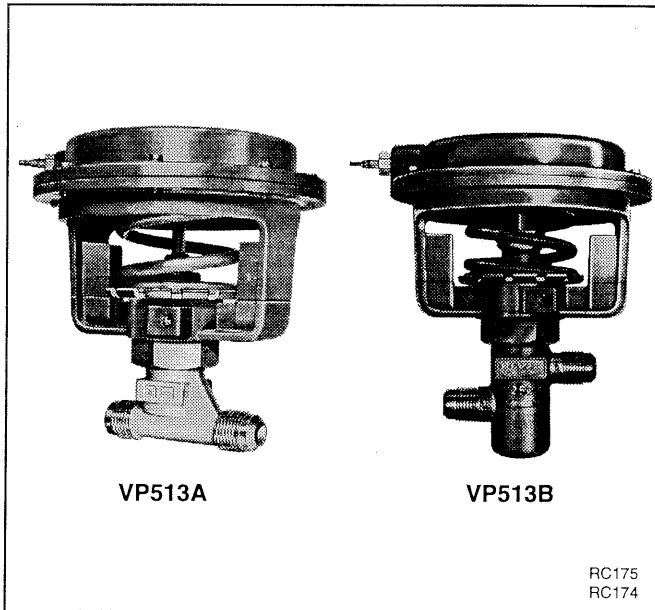


Fig. 1. VP513A Approximate Dimensions in Inches (Millimeters).

BEFORE INSTALLATION

When installing the valve, allow space for actuator removal and service (Figs. 1 and 2).

Do not install upside down. Moisture or dust and dirt can collect in the underside of the actuator causing damage and which may impair valve operation.

Space limitations may require removal of the actuator before installing the valve body.

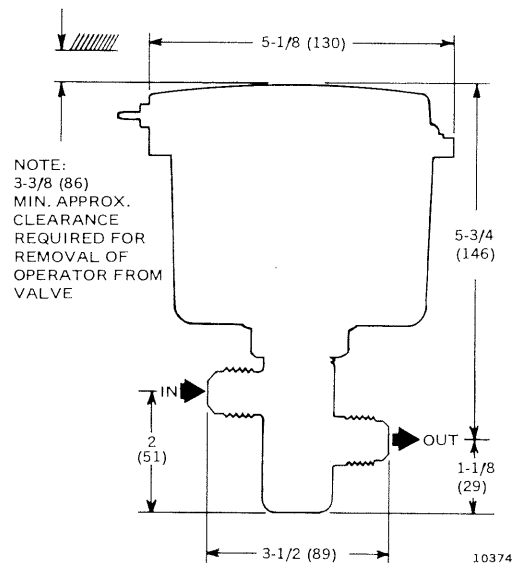


Fig. 2. VP513B Approximate Dimensions in Inches (Millimeters).



INSTALLATION

- 1 Mount the valve directly in the copper tubing using standard 45-degree SAE flare nuts (not furnished). See Figure 3.
- 2 Connect the control air tubing.
NOTE: For ease of installation, rotate actuator by slightly loosening setscrews (3, Fig 4), turn actuator to desired position, and tighten setscrews.

Table 1. Valve Size

Model Number	Nominal Valve Size (in.)	For Copper Tubing Size O.D. (in.)
VP513A	1/2	5/8
	3/4	7/8
VP513B	1/2	5/8

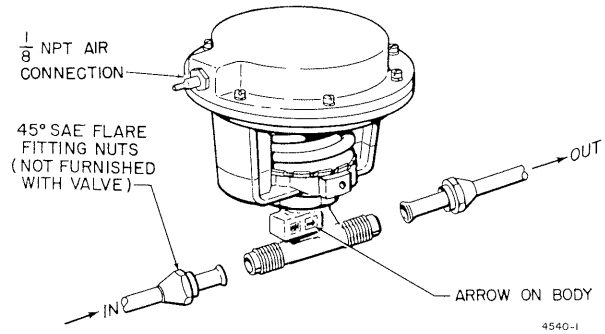


Fig. 3. Typical Valve Installation (VP513A).

ACTUATOR REMOVAL

- 1 Pull latch tang (or push from other side) (1, Fig. 4) to release stem button.
- 2 Loosen frame-to-bonnet setscrews (3).
- 3 Lift actuator from bonnet.



CAUTION

To maintain close-off, do not disturb setscrew of top of stem button (2).

- 4 Reinstall actuator following steps in reverse order.

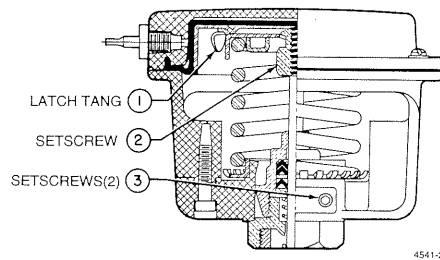


Fig. 4. Cut-away of VP513 Valve Actuator.

CHECKOUT AND TESTING

With a 0 to 30 psi (0 to 207 kPa) gage in the branch line, vary the branch line pressure. The difference between the pressure at which the stem begins to move and the pressure at full travel indicates the operating range.

Table 2. Valve Operating Pressure Range.

Model Number	Nominal Valve Size (in.)	Actuator Start Pressure psi (kPa)	Full Travel Pressure psi (kPa)
VP513A	1/2	3 (21)	7 (48)
	3/4	3 (21)	10 (69)
VP513B	1/2	9 (60)	13 (90)

Honeywell

Home and Building Control

Honeywell Inc.
Honeywell Plaza
P.O. Box 524
Minneapolis, MN 55408-0524

Home and Building Control

Honeywell Limited-Honeywell Limitée
740 Ellesmere Road
Scarborough, Ontario
M1P 2V9

Helping You Control Your World