

The STAS is a replaceable core Filter Drier for CFC, HCFC, and HFC refrigerants for use in large commercial air conditioning and refrigeration systems.

## Features

- Slotted cover/unique internal hardware for hassle-free installation
- Full flow fittings for low pressure drop
- Corrosion resistant epoxy powder paint finish
- Sturdy steel shells for long life
- Solid copper connections
- 100 mesh outlet screen



## Nomenclature example: STAS 489T

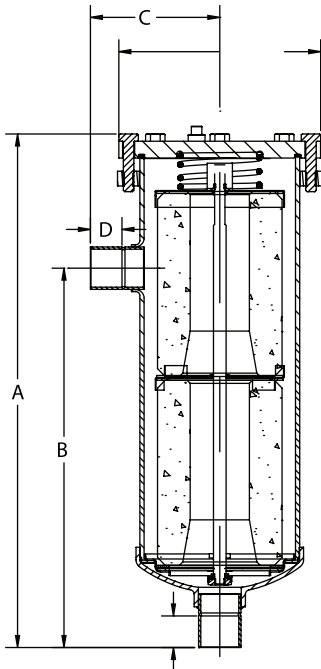
| STAS                    | 48                     | 9                         | T  |
|-------------------------|------------------------|---------------------------|--|
| Steel Take-Apart Series | Unit Size (in cu. in.) | Connection Size (in 1/8") | System Service<br>T = Liquid Line Service<br>SV = Suction Line Service |

## Specifications

- Filtration (with core): 40 microns
- Maximum working pressure: SV version = 500 psig  
T version = 680 psig
- UL/CUL file number: SA7175

STAS Models are shipped without filter or filter drier cores.  
See filter or filter drier cores for availability.

## Dimensional Data



## Ordering Information

| PCN    | Description               | Connection Size | Number Of 48 in <sup>3</sup> Cores | Desiccant Volume (Cu. In.) | Dimensions (in) |       |       |           |      |      |
|--------|---------------------------|-----------------|------------------------------------|----------------------------|-----------------|-------|-------|-----------|------|------|
|        |                           |                 |                                    |                            | A               | B     | C     | D         |      |      |
| 053001 | STAS-485T                 | 5/8 ODF         | 1                                  | 48                         | 9.94            | 6.00  | 3.78  | 0.63      |      |      |
| 053003 | STAS-487T                 | 7/8 ODF         |                                    |                            | 9.69            | 6.25  | 3.75  | 0.78      |      |      |
| 053005 | STAS-489T                 | 1 1/8 ODF       |                                    |                            | 9.75            | 6.31  | 3.84  | 0.94      |      |      |
| 053007 | STAS-4811T                | 1 3/8 ODF       |                                    |                            | 9.84            | 6.44  | 3.97  | 0.94      |      |      |
| 053043 | STAS-4813S-V <sup>1</sup> | 1 5/8 ODF       |                                    |                            | 9.88            | 6.02  | 4.03  | 1.13      |      |      |
| 053044 | STAS-4817S-V <sup>1</sup> | 2 1/8 ODF       |                                    |                            | 10.06           | 6.56  | 4.56  | 1.34      |      |      |
| 053045 | STAS-4821S-V <sup>1</sup> | 2 5/8 ODF       |                                    |                            | 10.44           | 7.03  | 4.75  | 1.04      |      |      |
| 053375 | STAS-4813T                | 1 5/8 ODF       |                                    |                            | 9.88            | 6.50  | 4.03  | 1.13      |      |      |
| 053938 | STAS-4811SV               | 1 3/8 ODF       |                                    |                            | 9.84            | 6.44  | 3.97  | 0.94      |      |      |
| 053010 | STAS-967T                 | 7/8 ODF         |                                    |                            | 2               | 96    | 15.19 | 11.72     | 3.75 | 0.78 |
| 053012 | STAS-969T                 | 1 1/8 ODF       | 15.22                              | 11.78                      |                 |       | 3.84  | 0.94      |      |      |
| 053014 | STAS-9611T                | 1 3/8 ODF       | 15.31                              | 11.91                      |                 |       | 3.97  | 1.03      |      |      |
| 053017 | STAS-9613T                | 1 5/8 ODF       | 15.38                              | 11.97                      |                 |       | 4.03  | 1.13      |      |      |
| 053018 | STAS-9617T                | 2 1/8 ODF       | 15.56                              | 12.03                      |                 |       | 4.56  | 1.34      |      |      |
| 053047 | STAS-9617S-V <sup>1</sup> | 2 1/8 ODF       | 15.56                              | 12.03                      |                 |       | 4.56  | 1.34      |      |      |
| 053048 | STAS-9621S-V <sup>1</sup> | 2 5/8 ODF       | 15.94                              | 12.50                      |                 |       | 4.75  | 1.50      |      |      |
| 059739 | STAS-9625 SV <sup>1</sup> | 3 1/8 ODF       | 16.54                              | 12.63                      |                 |       | 5.44  | 1.66      |      |      |
| 053020 | STAS-1449T                | 1 1/8 ODF       | 3                                  | 144                        |                 |       | 21.25 | 17.38     | 3.84 | 0.94 |
| 053022 | STAS-14411T               | 1 3/8 ODF       |                                    |                            |                 |       | 21.34 | 17.53     | 3.97 | 1.03 |
| 053024 | STAS-14413T               | 1 5/8 ODF       |                                    |                            | 21.38           | 17.59 | 4.03  | 1.13      |      |      |
| 053025 | STAS-14417T               | 2 1/8 ODF       |                                    |                            | 21.56           | 17.63 | 4.56  | 1.34      |      |      |
| 053028 | STAS-19211T               | 1 3/8 ODF       |                                    |                            | 26.91           | 23.00 | 3.97  | 1.03      |      |      |
| 053030 | STAS-19213T               | 1 5/8 ODF       |                                    |                            | 26.94           | 23.17 | 4.03  | 1.13      |      |      |
| 053031 | STAS-19217T               | 2 1/8 ODF       | 4                                  | 192                        | 27.13           | 23.13 | 4.56  | 1.34      |      |      |
| 056213 | STAS-1927/5T              | 7/8 X 5/8       |                                    |                            | 26.50           | 6.00  | 3.69  | 0.78/0.63 |      |      |

<sup>1</sup>"SV" style include stainless steel bolts and access valve.

NOTE: "T" style can be used for suction by removing pipe plug and installing X-11562-2.

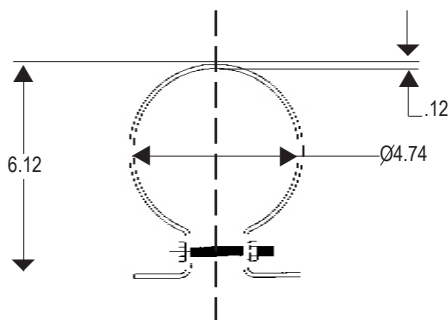
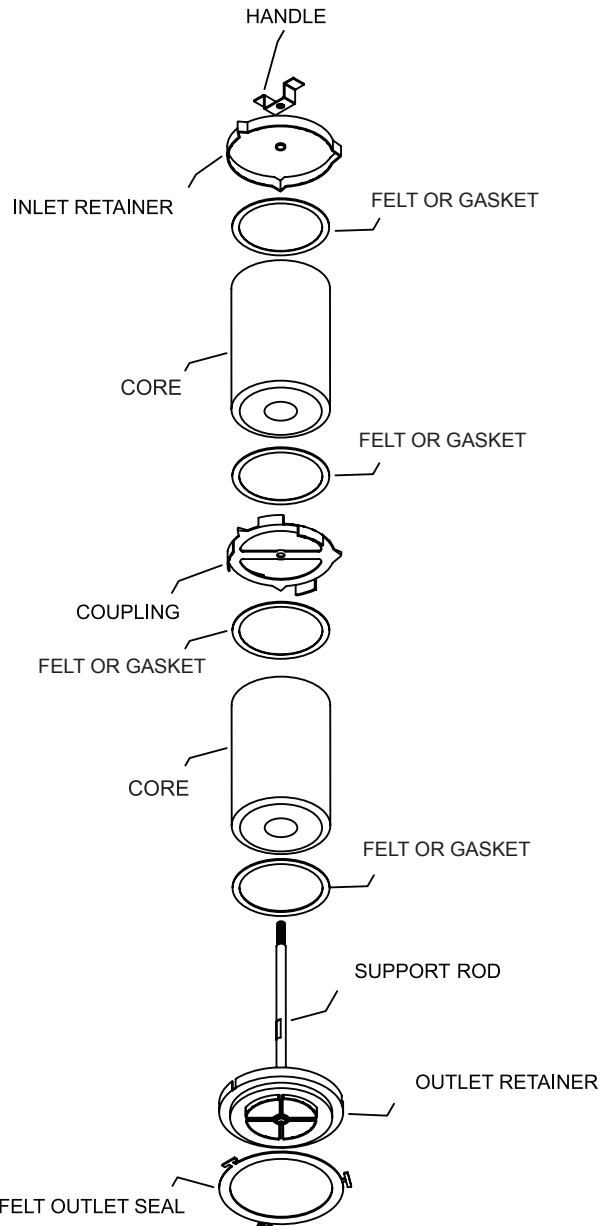
| Description | Connections | Liquid Flow Capacity<br>Tons @ 1 psi $\Delta P$ <sup>1,2,3</sup> |        |      |        |            |       |        |
|-------------|-------------|--|--------|------|--------|------------|-------|--------|
|             |             | R-12   | R-134a | R-22 | R-407C | R-404A/507 | R-502 | R-410A |
| STAS-485T   | 5/8 ODF     | 16   | 21     | 22   | 21     | 15         | 14    | 22     |
| STAS-487T   | 7/8 ODF     | 29   | 38     | 41   | 39     | 27         | 25    | 41     |
| STAS-489T   | 1 1/8 ODF   | 42   | 53     | 58   | 56     | 38         | 36    | 58     |
| STAS-4811T  | 1 3/8 ODF   | 48   | 75     | 81   | 78     | 53         | 41    | 81     |
| STAS-4813T  | 1 5/8 ODF   | 67   | 81     | 89   | 85     | 58         | 58    | 89     |
| STAS-967T   | 7/8 ODF     | 33   | 42     | 45   | 43     | 30         | 27    | 45     |
| STAS-969T   | 1 1/8 ODF   | 49   | 65     | 71   | 68     | 47         | 42    | 71     |
| STAS-9611T  | 1 3/8 ODF   | 62   | 80     | 87   | 83     | 57         | 54    | 87     |
| STAS-9613T  | 1 5/8 ODF   | 67   | 92     | 100  | 95     | 65         | 58    | 100    |
| STAS-1449T  | 1 1/8 ODF   | 48   | 66     | 72   | 69     | 47         | 41    | 72     |
| STAS-14411T | 1 3/8 ODF   | 69   | 92     | 100  | 96     | 65         | 60    | 100    |
| STAS-14413T | 1 5/8 ODF   | 77   | 93     | 101  | 97     | 66         | 66    | 101    |
| STAS-14417T | 2 1/8 ODF   | 88   | 110    | 120  | 115    | 78         | 76    | 120    |
| STAS-19211T | 1 3/8 ODF   | 75   | 94     | 102  | 98     | 67         | 64    | 102    |
| STAS-19213T | 1 5/8 ODF   | 81   | 103    | 113  | 108    | 74         | 69    | 113    |
| STAS-19217T | 2 1/8 ODF   | 91   | 113    | 123  | 117    | 80         | 78    | 123    |

<sup>1</sup> All ratings in accordance with ARI Standard 710-04. 86°F liquid refrigerant temperature  
 • 5°F saturated vapor temperature  
 • 3.1 lbs./min./ton for R-134a  
 • 2.9 lbs./min./ton for R-22 and R-407C  
 • 4.0 lbs./min./ton for R-404A/507 and R-12  
<sup>2</sup> For 2 PSI  $\Delta P$ , Multiply values by 1.4  
<sup>3</sup> For kW, multiply by 3.5

### Replacement Parts For STAS

| Flange Cover Assembly  | Description | PCN    |
|--|-------------|--------|
| All STAS Driers - Include Flange Cover, Compression Spring, Pipe Plug, and Grade 5 Bolts | X12176-3    | 054046 |
| <b>Shell Strainer Assembly</b>   |             |        |
| STAS-48  | X27458-1    | 060274 |
| STAS-96  | X27458-2    | 060275 |
| STAS-144   | X27458-3    | 060276 |
| STAS-192   | X27458-4    | 060277 |
| <b>Miscellaneous Parts</b>   |             |        |
| Cover Bolts (Stainless Steel - suction line service)                                     | X25787-7    | 053121 |
| Access Valve (V Option)  | X11562-2    | 037409 |
| Gasket Set (Includes cover gasket)   | X11983-1    | 027453 |
| Handle   | 26446-1     | 053812 |
| Inlet Retainer   | 26477-1     | 053813 |
| Spring   | 26439-1     | 060258 |
| Felt Set (1 Core Set)  | 27394-1     | 060278 |
| Mounting Bracket   | X28747-1    | 061715 |

### Exploded View



**Mounting Bracket for STAS 48\***

\*More than one mounting bracket may be required for shell sizes 96 and above.