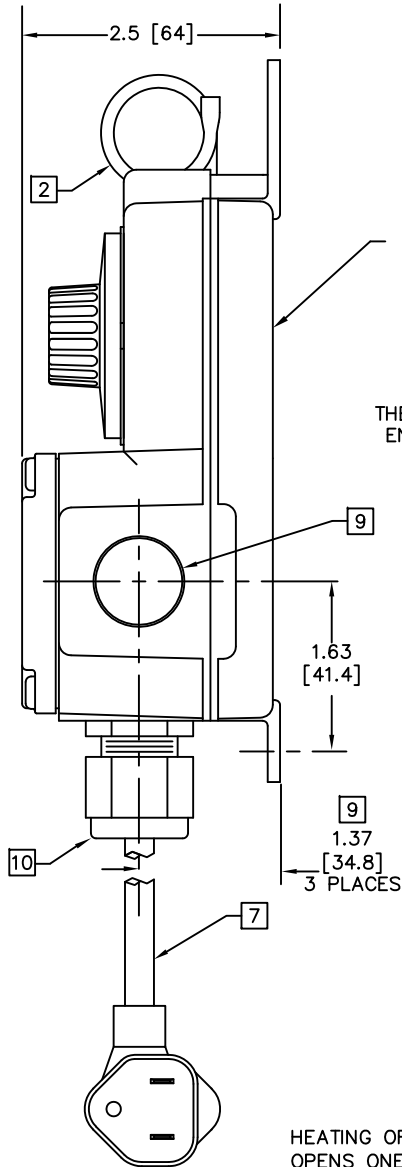
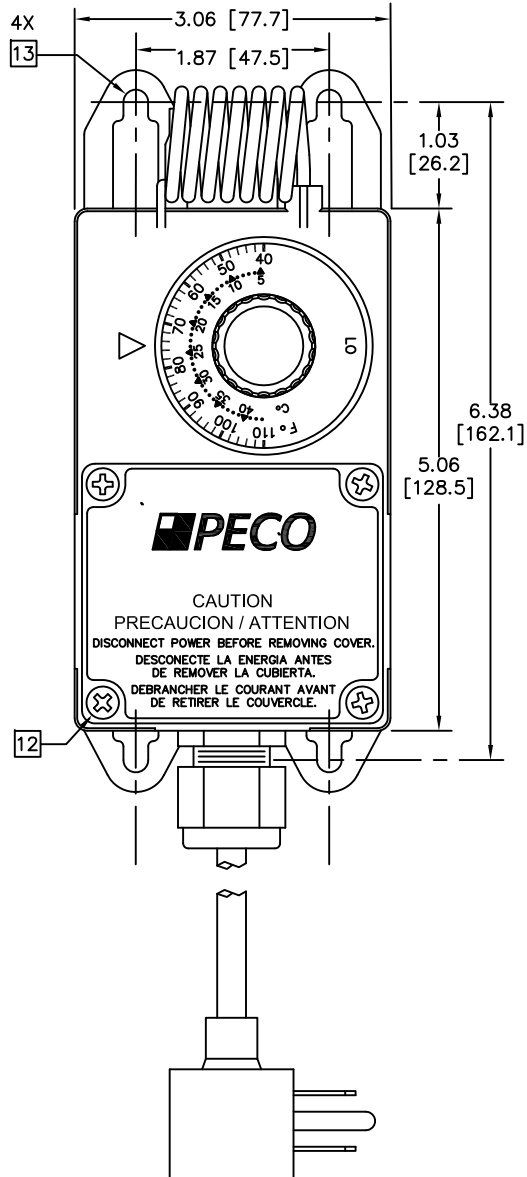


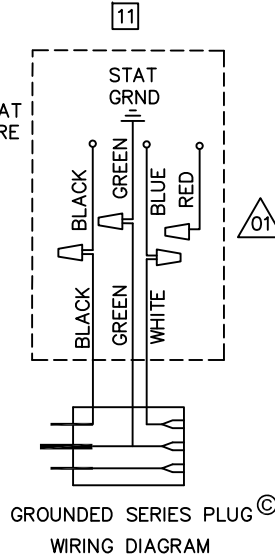
NOTES:

1. SPDT THERMOSTAT IS HOUSED WITHIN RAIN TIGHT LIGHT GRAY PLASTIC TYPE 4X ENCLOSURE. BLACK KNOB HAS WHITE MARKINGS.
2. COILED TEMPERATURE SENSING BULB IS TYPE 300 SERIES STAINLESS STEEL.
3. ADJUSTABLE TEMPERATURE RANGE IS 40°F TO 110°F (4°C TO 43°C) ONE DIAL DIVISION EQUALS 2°F (1.1°C).
4. CONTROL ONLY, U.L. LISTED FILE E50023. C.S.A. CERTIFIED FILE NO. LR30247.
5. MAXIMUM AMBIENT TEMPERATURE FOR ASSEMBLY IS 140°F (60°C).

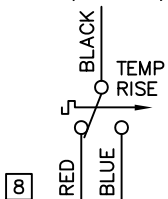


U.L. LISTING AND COUNTRY OF ORIGIN LABEL.

THERMOSTAT ENCLOSURE



L1 (COMMON)



HEATING OR COOLING EQUIPMENT, SPDT, OPENS ONE CIRCUIT (RED/BLACK, REF. HEATING), CLOSSES ONE CIRCUIT (BLUE/BLACK, REF. COOLING) ON TEMPERATURE RISE.

DIMENSIONS IN [ ] ARE IN MILLIMETERS

DATE	REV	DESCRIPTION	DR.	CK.
10/04/13	01	ECN 12217 CORRECT NOTE 14 PART NUMBER	BK	

6. ELECTRICAL RATING:

VAC	INDUCTIVE		RESISTIVE AMPS	PILOT DUTY
	FLA	LRA		
120	4.4	26.4	13	125 VA

7. POWER CORD: PIGGYBACK NEMA 5-15 TO ROJ, TYPE SJTOW OR EQUIVALENT, 6 FEET LONG WITH #16/3 STRANDED COPPER WIRE. ENDS STRIPPED TO 0.38" [10].

8. INTERNAL LOAD LEADS ARE #14 AWG 600V 105°C (221°F) STRANDED COPPER WIRE. FREE LEAD LENGTH IS 6" [152] MINIMUM WITH WIRE ENDS STRIPPED TO 0.32" [8].

9. KNOCKOUT ALSO IN FAR SIDE OF WIRING COMPARTMENT. 1/2" TRADE SIZE KNOCKOUTS AT 3 LOCATIONS PROVIDE FOR U.L. LISTED RAIN TIGHT CORD SEALS OR CONDUIT HUBS.

10. POWER CORD TO BE INSTALLED THROUGH CORD SEAL IN KNOCKOUT AS SHOWN. LOCKING NUT TO BE HELD STATIONARY WHILE GLAND NUT IS FULLY TIGHTENED. CORD SEAL AND NUT MUST NOT MOVE RELATIVE TO HOUSING AFTER TIGHTENING.

11. POWER CORD TO BE ATTACHED TO INTERNAL LEADS PER DIAGRAM USING WIRE NUTS PER BOM. RED WIRE TO HAVE WIRE NUT INSTALLED OVER STRIPPED WIRE.

12. UNIT IS TO BE ASSEMBLED WITH COVER, GASKET, AND 4 SCREWS INSTALLED AND FULLY TIGHTENED AS SHOWN.

13. ENCLOSURE MOUNTS TO WALL OR PANEL SURFACE WITH #8 OR WITH #10 SCREWS.

14. MARKING TO INCLUDE:  
TF115P-002  
E50023  
LR30247  
DC (DC REPRESENTS A DATE CODE.)

15. TO BE INDIVIDUALLY BOXED WITH INSTRUCTION SHEET PACKED WITH UNIT, 28 UNITS PER CASE CARTON, NO MASTER CARTON.

16. APPLY U.L. LISTING AND COUNTRY OF ORIGIN LABEL TO BACK OF ENCLOSURE. LABEL PER BOM.

17. THIS ASSEMBLY AND ALL COMPONENTS AND SUBASSEMBLIES CONTAINED WITHIN THIS ASSEMBLY MUST MEET ENVIRONMENTAL IMPACT REQUIREMENTS SPECIFIED IN TI-698.

18. NOTES MARKED WITH © CONTAIN SPECIFICATIONS THAT MUST BE CERTIFIED BY THE VENDOR WITH EACH SHIPMENT.

TOLERANCES EXCEPT AS NOTED	PECO, INC. PORTLAND, OR. USA	
INCH [METRIC] .X= .XX= .XXX=	PART NUMBER 70726	SCALE HALF
ANGULAR ±	TITLE STAT ASSY, TF115P-002	
DO NOT SCALE DRAWING: DIMENSIONS ARE CONTROLLING	SIZE A	DRAWING NUMBER TF115P-002