

Honeywell

VBN Threaded Control Ball Valves and Actuators

INSTALLATION INSTRUCTIONS



APPLICATION

The VBN2 Two-Way and the VBN3 Three-Way Control Ball Valves control hot and chilled water with glycol solutions up to 50% in closed loop heating, ventilating, and air conditioning (HVAC) systems to provide two-position or modulating functions. Not for use in open loop systems.

These valve assemblies can be ordered with or without factory-mounted actuators.

Application Notes

Valve sizing is important for correct system operation. Undersized valves do not have sufficient capacity at maximum load. Oversized valves do not have sufficient authority over the load.

Oversized valves can cause excessive cycling leading to premature actuator failure, and the seat and ball can be damaged because of the restricted opening.

Proper Use

VBN valves are intended for use in chilled water and hot water closed loop applications only, with a temperature range of 35 to 250°F, and pressures up to 360psig.

Water should be properly filtered, treated and conditioned for good operating performance, and according to recommendations of the boiler or chiller manufacturers. The installation of strainers and filters is recommended.

IMPORTANT

The presence of excessive iron oxide (red rust) in the system voids the valve warranty.

Effective C_v

When valves are mounted between pipe reducers, there is a decrease in actual valve capacity because the reducers create additional pressure losses in the system. This is especially true for ball valves because of their high capacity.

For effective C_v s for Honeywell control ball valves when used with pipe reducers, refer to the Product Data sheet form no. 62-2648.

Flow Characteristics

The VBN2 Two-Way Ball Valves have:

- equal percentage flow characteristic with characterized flow control insert.

The VBN3 Three-Way Ball Valves have:

- between ports A and AB: equal percentage flow characteristic.
- between ports B and AB: linear flow characteristic at approximately 80% of the nominal C_v rating.

Required Operating Torque

Both Honeywell fail in place and fail-safe low torque direct coupled actuators can be utilized with the VBN2 and VBN3 valves. VBN valves use a patented seat design that reduces the torque needed from the actuator.

Actuators with 27 lb-in torque, (for valves up to 1-1/4 in size), and 35 lb-in torque (for 1-1/2 in size and above) provide sufficient torque to operate the valve at rated close-off. (See Table 1.)



62-2025EFS-06

Table 1. Close-off, Differential Pressure Ratings.

Valve Type	Valve Size (in.)	Close-off Pressure Rating (psi)
2 way	1/2, 3/4	130
	1, 1-1/4, 1-1/2, 2, 2-1/2, 3	100
3 way	1/2, 3/4, 1	50
	1-1/4, 1-1/2, 2, 2-1/2	40

INSTALLATION

When installing this product...

1. Read these instructions carefully. Failure to follow them could damage the product or cause a hazardous condition.
2. Check ratings given in instructions and on the product to ensure the product is suitable for your application.
3. Installer must be a trained, experienced service technician.
4. After installation is complete, check out product operation as provided in these instructions.

Preparation

CAUTION

Equipment Damage Hazard

Foreign particles like dirt and metal chips can damage the ball seals.

For trouble-free operation of the product, good installation practice must include initial system flushing, and chemical water treatment. Clean the lines upstream of particles larger than 1/16 inch diameter (welding slag, pipe scale, sand and other suspended particulate). Use of a 50 micron (or finer) system side stream filter is suggested. Remove all filters before flushing.

Do not use boiler additives, solder flux and wetted materials which are petroleum based or contain mineral oil, hydrocarbons, or ethylene glycol acetate. Compounds which can be used, with minimum 50% water dilution, are diethylene glycol, ethylene glycol, and propylene glycol (antifreeze solutions).

If installing these valves in an addition to, or retrofitting an existing building, do not assume that the fluid in the existing piping meets these criteria.

Mechanical Installation

IMPORTANT:

Hold valve with pipe wrench by hexagonal fitting ONLY. Do NOT handle the valve body with the pipe wrench; product damage may result.

The valves are tapped in NPT and should be sealed with an approved pipe sealant. Torque should not exceed 75 lb-ft.

Refer to actuator literature for actuator dimensions.

1. Clean the lines upstream of particles larger than 1/16 in. diameter (welding slag, pipe scale and other contaminants).
2. Proceed with installation once the system specifics (expansion/contraction of the system and its medium as well as operating pressures) are within tolerances.
3. Eliminate air from system.
4. Two-way valves are marked to show flow direction, and flow arrow must point in the flow direction of the medium for proper operation.

NOTE: For three-way valve mounting, see Fig. 1 & 2.

5. Stem rotation:
 - a. For two-way valves:
 - (1) Clockwise to close.
 - (2) Counterclockwise to open.
 - b. For three-way valves:
 - (1) Clockwise to increase B to AB flow.
 - (2) Counter clockwise to increase A to AB flow.

NOTE: After valves have been installed in the piping, the installer can determine the ball orientation within the valve from the notches in the top of the valve stem. For two-way valves, the lengthwise direction of the notch indicates the flow through the ball (i.e. when the notch is parallel to the axis of the valve between A and B ports, the ball will allow flow through the valve). For three-way valves, the flow can be determined by the orientation of the "T" shaped notch in the valve stem, as shown in Fig. 2.

6. Valve must be mounted with the actuator/bracket above the valve body. Do not install the valve with the stem below horizontal or upside down. (See Fig. 4 and 5.)

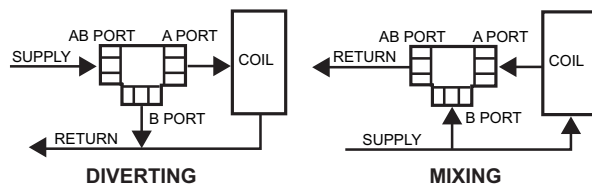
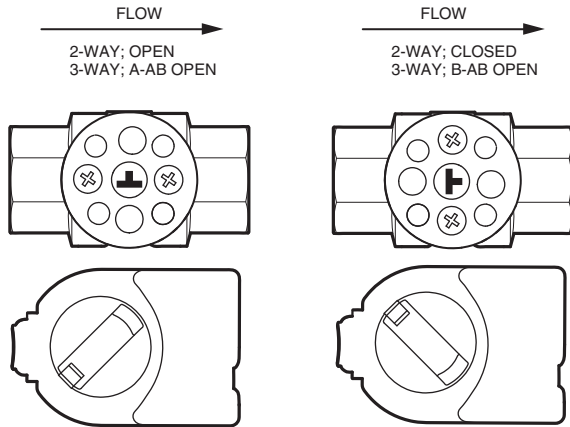


Fig. 1. Three-way ball valve flow orientation (not to scale).

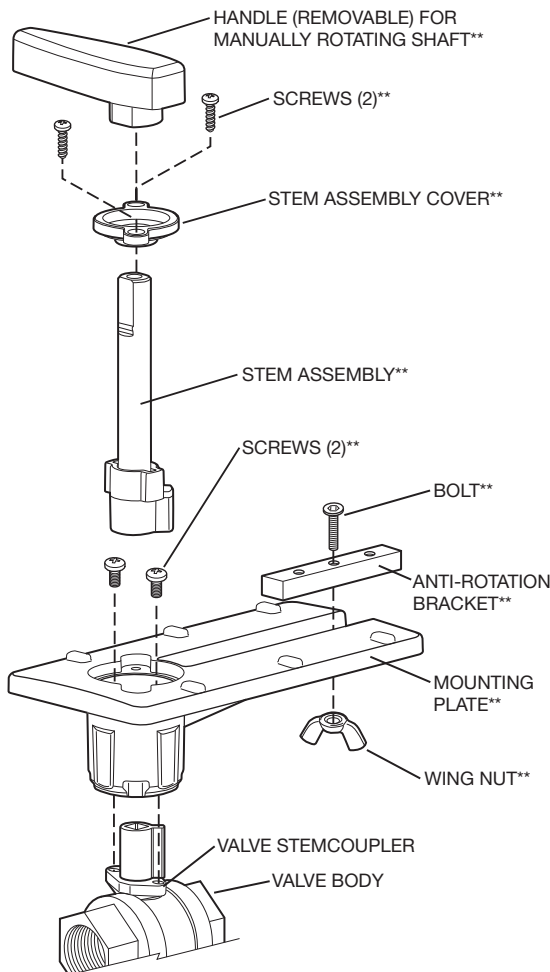


NOTES: **FOR 2-WAY VALVES** TO MOUNT ACTUATOR ON OPEN VALVE, TURN ACTUATOR FULLY COUNTER CLOCKWISE AS SHOWN. FOR 2-WAY VALVES TO MOUNT ACTUATOR ON CLOSED VALVE, TURN ACTUATOR FULLY CLOCKWISE AS SHOWN.

FOR 3-WAY VALVES TO MOUNT ACTUATOR ON A-AB VALVE, TURN ACTUATOR FULLY COUNTER CLOCKWISE AS SHOWN. FOR 3-WAY VALVES TO MOUNT ACTUATOR ON B-AB VALVE, TURN ACTUATOR FULLY CLOCKWISE AS SHOWN.

M33201D

Fig. 2. Orientation of ball in valve.



**INCLUDED IN REPLACEMENT KIT (PART NO. 5112-11)

M13738A

Fig. 3. Valve assembly exploded view.

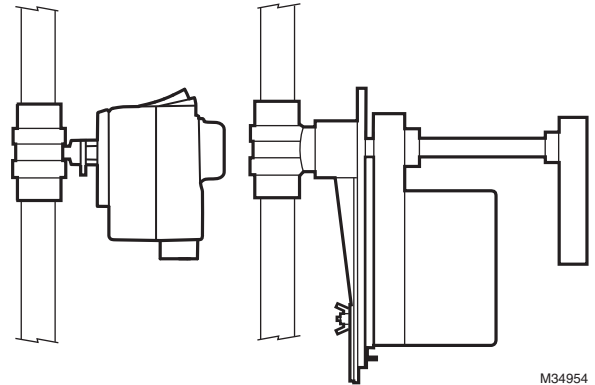


Fig. 4. Vertical valve installation.

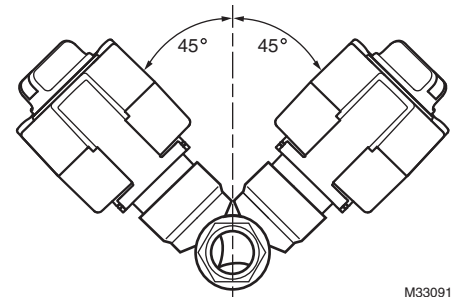


Fig. 5. Acceptable valve angle from vertical.

Mounting Plate Adjustment

The Actuator Mounting Plate can be rotated to a different position for installation in confined spaces. This is accomplished as follows:

1. Remove the handle from the shaft and set it aside.
2. Remove the two screws that hold the stem assembly to the mounting plate and set them aside.
3. Remove and set aside the stem assembly.
4. Remove and set aside the two screws that attach the mounting plate to the valve.
5. Remove and set aside hold-down ring from mounting plate.
6. Rotate mounting plate around valve top to the desired position.

NOTE: Take note of the screw hole positions on the valve. They limit the mounting plate positions.

7. Lower ring down to valve body and engage it in the new position relative to the mounting plate.
8. Tighten screws to valve body securing the mounting plate.
9. Reattach the stem assembly to the mounting plate.
10. If desired, replace the handle on the shaft.

NOTE: See Fig. 3 for valve exploded view.

Electrical Installation

1. If necessary, remove actuator wiring cover.
 - a. For 24Vac applications, use Class II transformer.
2. Wire actuator using Figures 6 through 29 for the application required.
3. Replace cover as applicable.

Wiring

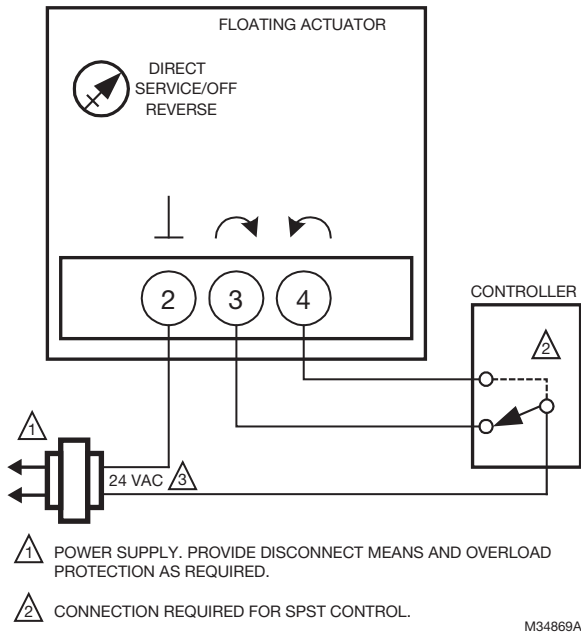


Fig. 6. MN6105 with On/Off SPDT Control.

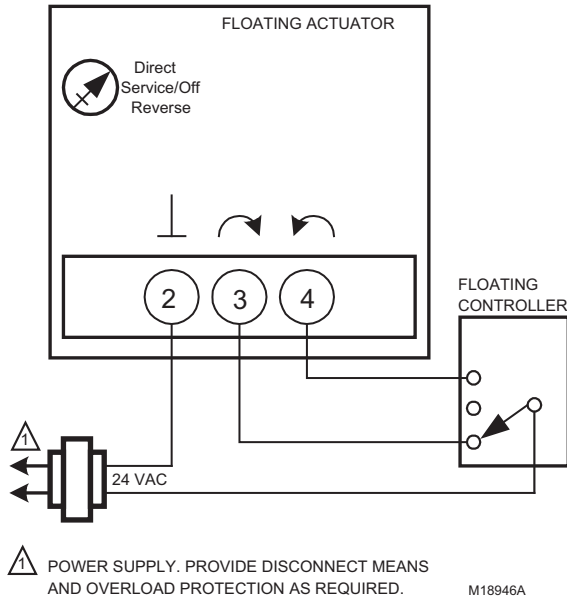


Fig. 7. MN6105 with Floating Control.

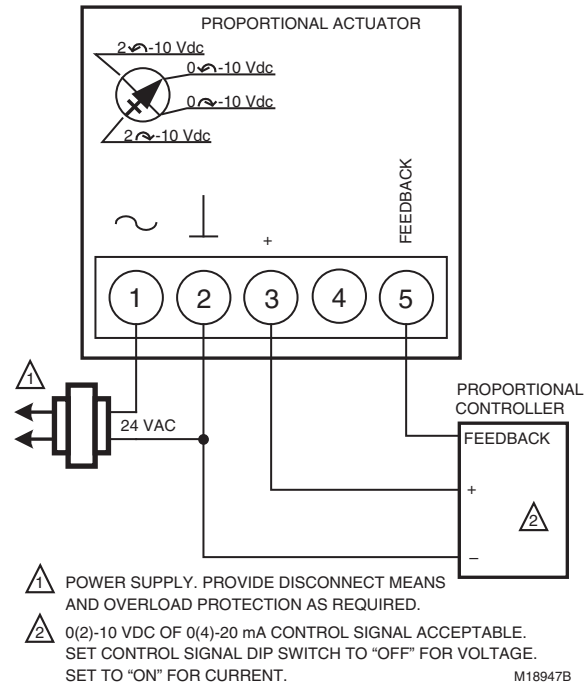


Fig. 8. MN7505 with 0(2)-10 Vdc Control.

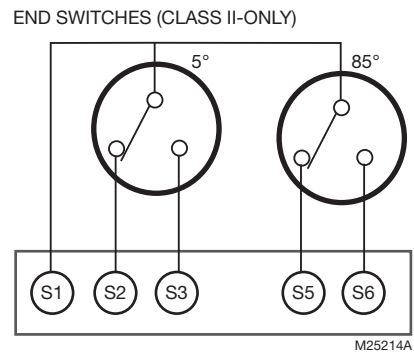


Fig. 9. Wiring for MN6105 and MN7505 models with aux./end switches.

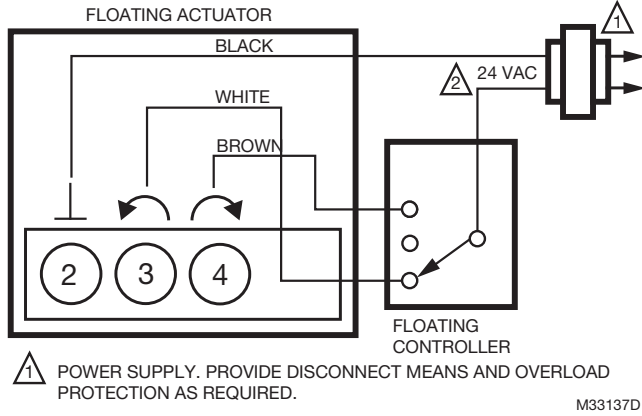


Fig. 10. MVN613 with Floating Control.

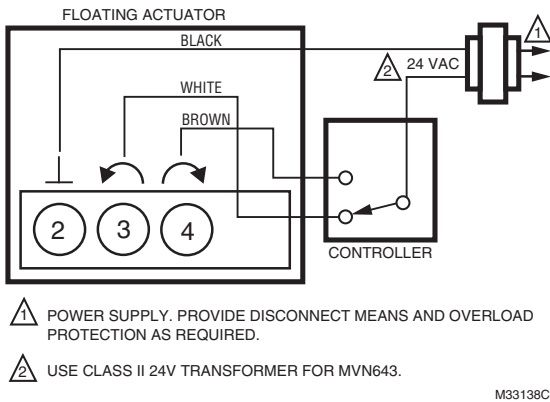


Fig. 11. MVN613 or MVN643 with Two Position SPDT Control.

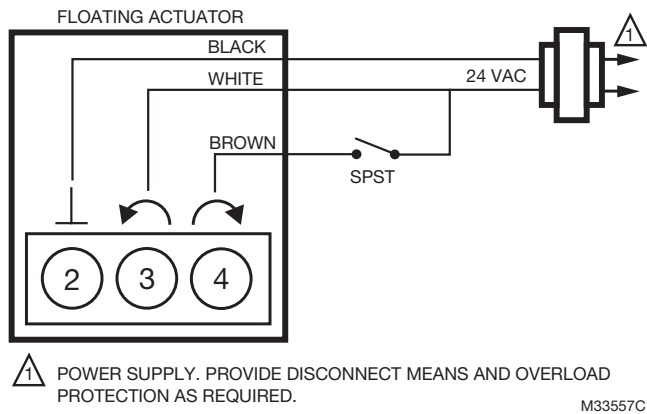


Fig. 12. MVN643 with Two Position SPST Control.

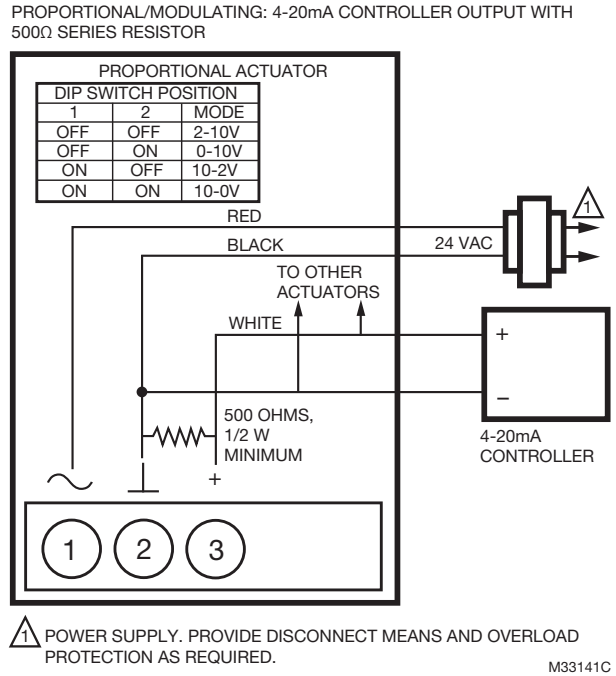


Fig. 13. MVN713 with 4-20mA Control.

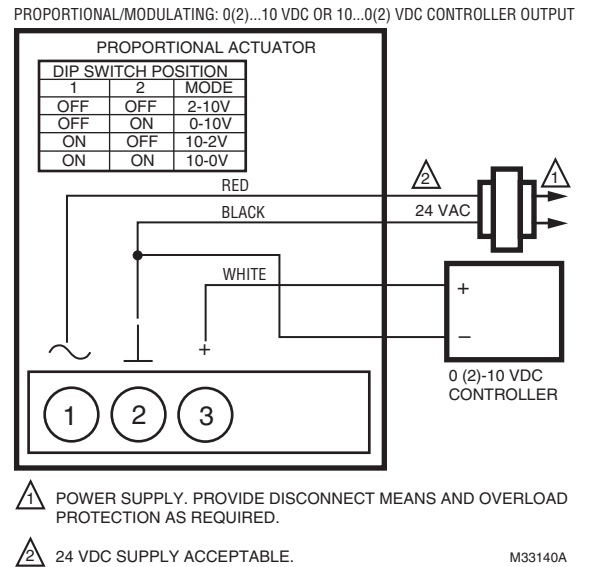


Fig. 14. MVN713 with 0(2)-10 Vdc Control.

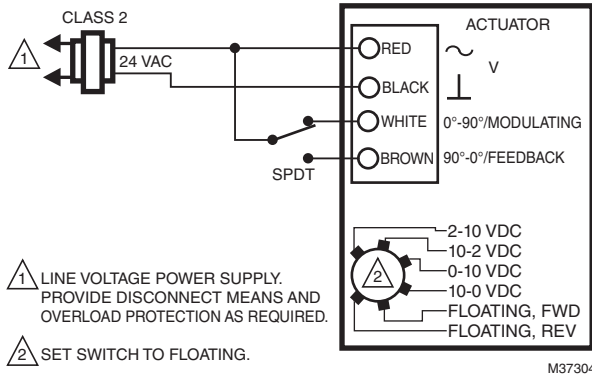


Fig. 15. MS7505 with Two Position SPDT Control.

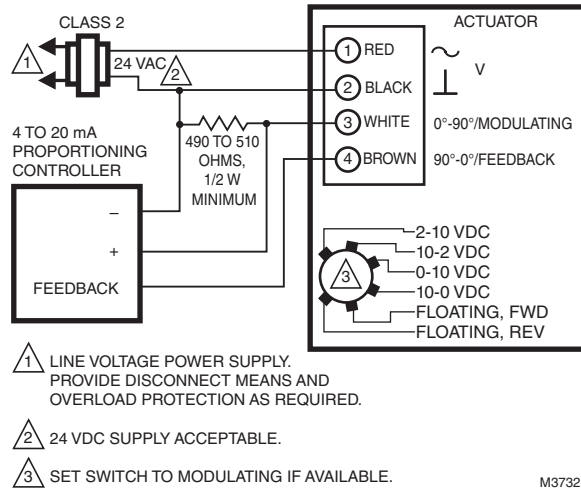


Fig. 18. MS7103 with 4-20 mA Control (MS7503 shown, ignore selection switch).

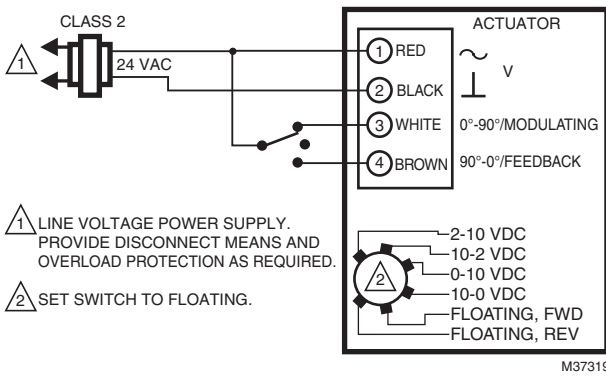


Fig. 16. MS7505 with Floating Control.

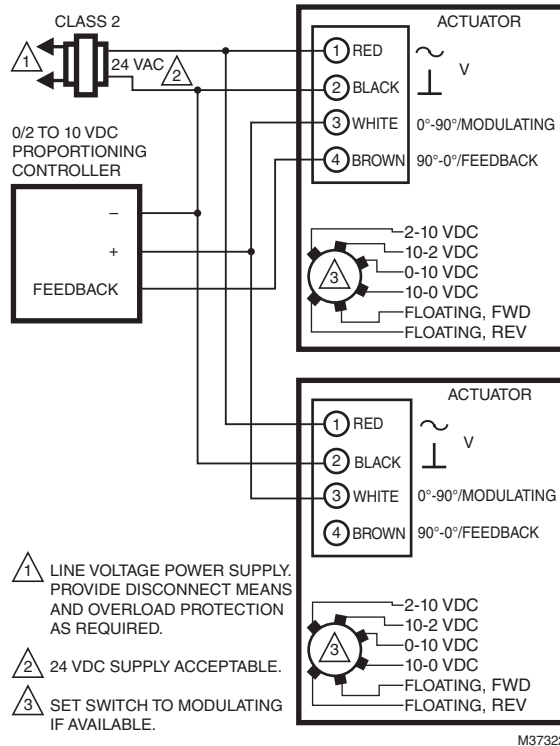


Fig. 19. MS7103 with 2-10 Vdc Control using two actuators (MS7503 shown, ignore selection switch).

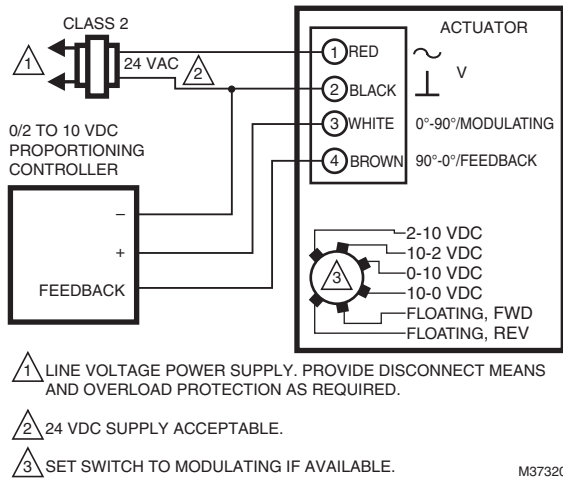


Fig. 17. MS7103 with 2-10 Vdc Control (MS7503 shown, ignore selection switch).

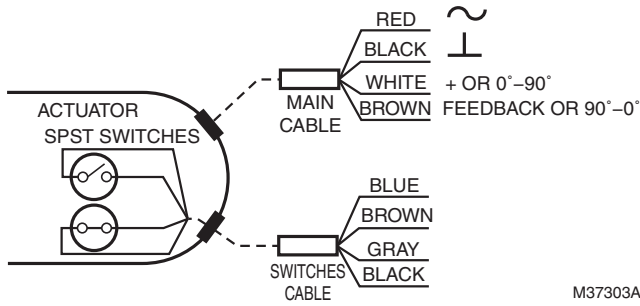
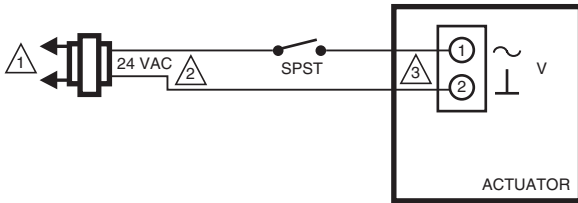
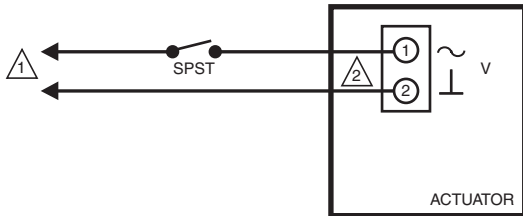


Fig. 20. Wiring for MS7103 and MS3103 Auxiliary Switches. Gray/Black = Normally Open. Closed in range 80 degrees to Fully Open. Blue/Brown = Normally Closed. Open in range 10 degrees to Fully Open.

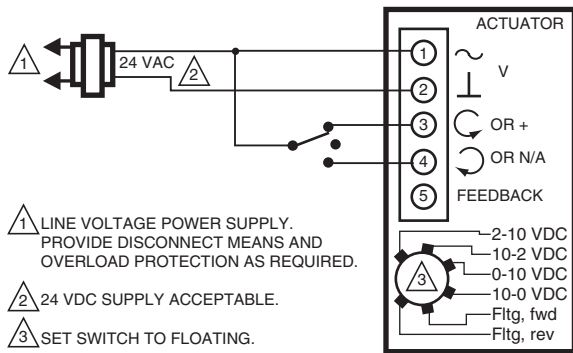


- 1 LINE VOLTAGE POWER SUPPLY. PROVIDE DISCONNECT MEANS AND OVERLOAD PROTECTION AS REQUIRED.
- 2 24 VDC SUPPLY ACCEPTABLE.



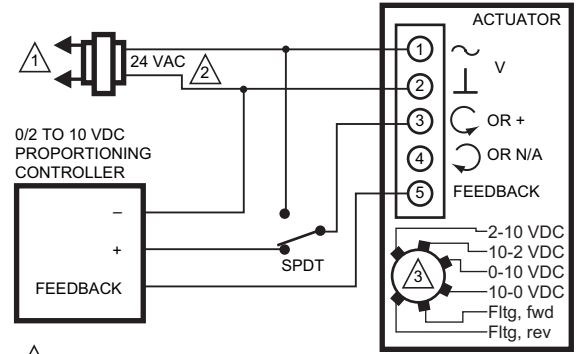
- 1 LINE VOLTAGE POWER SUPPLY. PROVIDE DISCONNECT MEANS AND OVERLOAD PROTECTION AS REQUIRED.

Fig. 21. MS8105 with Two Position SPDT Control.



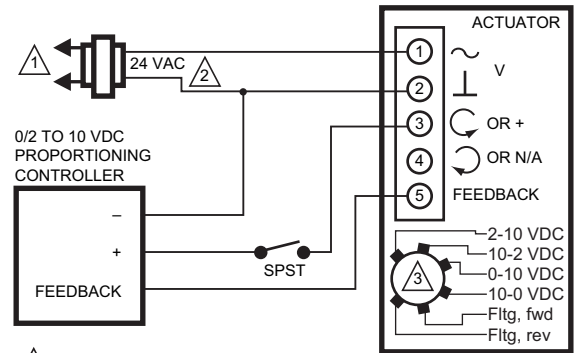
- 1 LINE VOLTAGE POWER SUPPLY. PROVIDE DISCONNECT MEANS AND OVERLOAD PROTECTION AS REQUIRED.
- 2 24 VDC SUPPLY ACCEPTABLE.
- 3 SET SWITCH TO FLOATING.

Fig. 22. MS7505 with Floating Control.



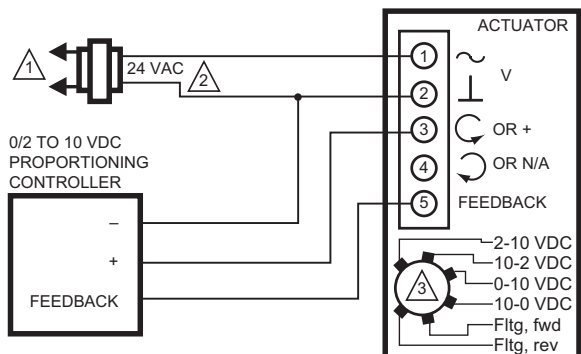
- 1 LINE VOLTAGE POWER SUPPLY. PROVIDE DISCONNECT MEANS AND OVERLOAD PROTECTION AS REQUIRED.
- 2 24 VDC SUPPLY ACCEPTABLE.
- 3 SET SWITCH TO MODULATING.

Fig. 23. MS7505 with override to full open.



- 1 LINE VOLTAGE POWER SUPPLY. PROVIDE DISCONNECT MEANS AND OVERLOAD PROTECTION AS REQUIRED.
- 2 24 VDC SUPPLY ACCEPTABLE.
- 3 SET SWITCH TO MODULATING.

Fig. 24. MS7505 with override to full closed.



- 1 LINE VOLTAGE POWER SUPPLY. PROVIDE DISCONNECT MEANS AND OVERLOAD PROTECTION AS REQUIRED.
- 2 24 VDC SUPPLY ACCEPTABLE.
- 3 SET SWITCH TO MODULATING.

Fig. 25. MS7505 with 0(2)-10 Vdc Controllers.

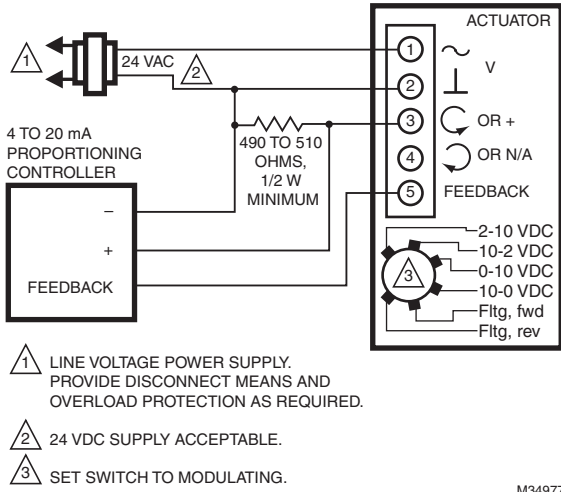


Fig. 26. MS7505 with 4-20mA Controllers.

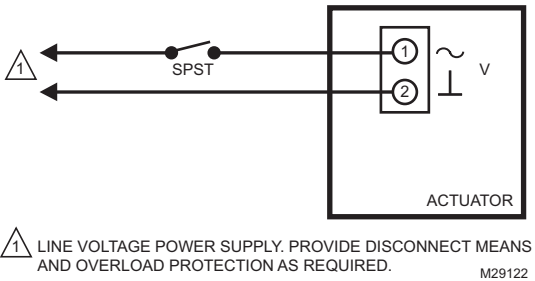


Fig. 27. MS4105 with 120 Vac Two Position SPDT control.

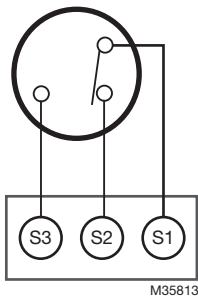


Fig. 28. Wiring for MS4105, MS7505, and MS8105 models with aux./end switches.

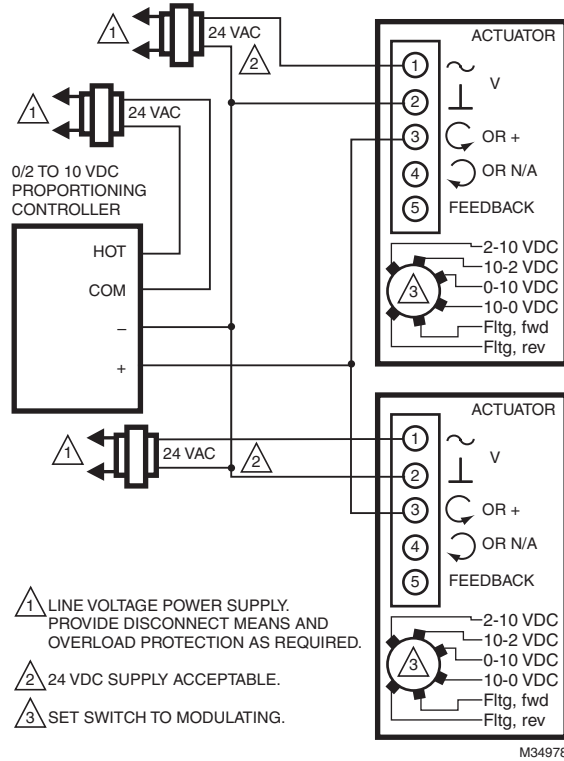


Fig. 29. MS7505 with 0(2)-10 Vdc controller operating multiple actuators.

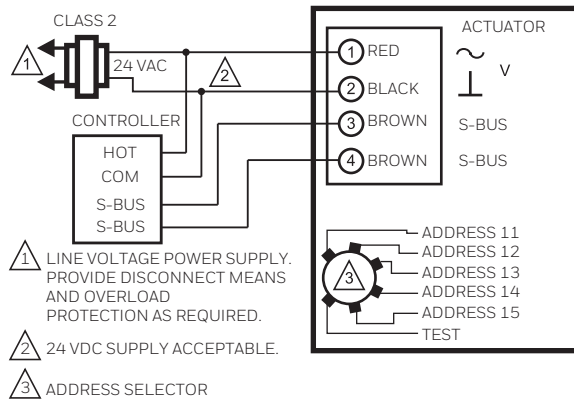


Fig. 30. MS3103 with Sylk Bus control.

OPERATION AND CHECKOUT

Once both the mechanical and electrical installations are complete:

1. Cycle the actuator to verify that the direction of rotation suits the control sequence.
2. If the rotation direction is incorrect:
 - a. For 2-position and Syk-enabled spring return actuators:
To change spring return direction: remove, flip over, and replace actuator on the bracket.
 - b. For floating control actuators: Reverse two control signal wires (CW/CCW).
 - c. For modulating spring return control actuators:
 - (1) MS7505 actuators reposition control signal selection switch; MS7103 actuators 2-10 Vdc only (reversal not possible), or
 - (2) To change spring return direction: remove, flip over, and replace actuator on the bracket.
 - d. For modulating actuators without spring return, reposition reverse/direct acting selector switch.
3. If the control scheme requires fail-safe operation, ensure that, upon removal of power, the fail position coincides with the control sequence.
4. If the fail safe position is incorrect, remove and reinstall the actuator in the opposite orientation as follows:
 - a. Loosen the shaft coupling bolt using a 10 mm wrench.
 - b. Loosen all other mounting bolts connecting the actuator to the mounting bracket, and set aside.
 - c. Remove the actuator from the valve shaft.
 - d. Move the actuator coupling to the opposite side of the actuator, as displayed in Fig. 31.
 - (1) Remove the retainer clip from the shaft coupling and set it aside for later use.
 - (2) Remove shaft coupling from one side of the actuator.
 - (3) Replace the shaft coupling on the opposite side of the actuator, aligning it based on the stroke labelling.
 - (4) Replace the retainer clip on the shaft coupling using the groove of the coupling.
 - e. Reconnect the actuator to the valve mounting bracket by replacing the screws previously removed (step b)
 - f. Tighten the shaft coupling bolt using a 10 mm wrench using maximum 120 lb-in torque.

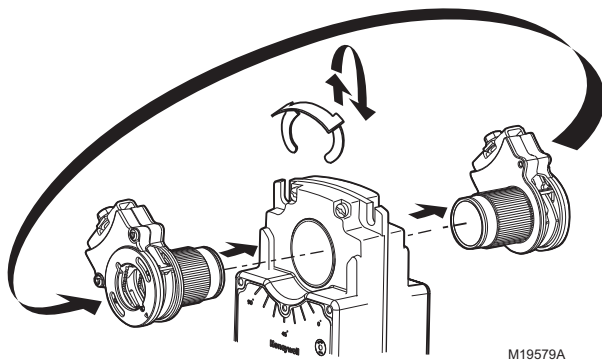


Fig. 31. Mounting shaft coupling to actuator opposite side.

Service and Repair

The valve stem can be replaced in-line, if necessary. See Fig. 32.

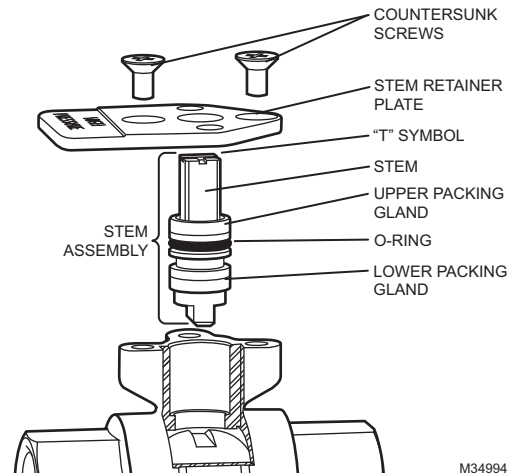


Fig. 32. Replacing the valve stem in-line.

Valve Stem Replacement



WARNING

Scratching the inside of the valve neck may cause a leak when re-assembled.

1. Close isolation valves on both supply and return sides of the Honeywell control valve. (If there are no isolation valves, turn off the circulation pump). Valve body must be de-pressurized.
2. Relieve excess pressure from isolated portion by opening an air vent or drain valve.
3. Remove the actuator. Ensure that the valve is closed. The T symbol on the stem should be oriented like it is in the right-side drawing in Fig. 33 below.
4. Remove the 2 screws securing the adapter plate. Discard these screws.
5. Remove the stem, making sure the lower packing gland is removed, and discard.
6. Cover new stem with supplied protective grease.
7. Insert the new stem. Be sure to align the key on the bottom of the stem with the slot in the ball, and the T symbol of the new stem is aligned exactly as the old one, like the right-side drawing in Fig. 33 below.
8. Replace the adapter plate.
9. Tighten the two new, supplied, screws to 16.5 lb in (+-10%) to attach the adapter plate to the valve body.
10. Open the isolation valves.
11. Once mechanical and electrical installations are complete, cycle the actuator to verify operation, and that the direction of rotation matches the control signal. If the actuator is a fail-safe model, make sure that the valve is in the correct position when there is no power applied.

VBN THREADED CONTROL BALL VALVES AND ACTUATORS

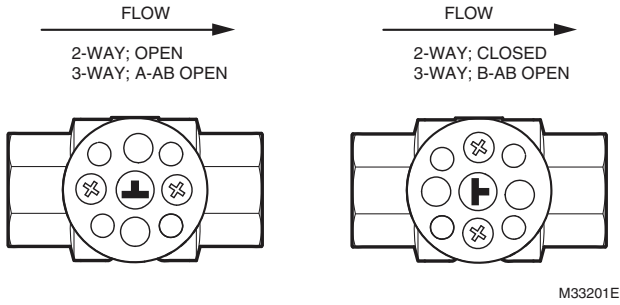


Fig. 33.

When the valve is in the position on the left (A to AB open) the actuator has turned the stem counter clockwise.

When the valve is in the position on the right, the actuator has turned it clockwise.

(For 3-Way valves, the flow direction in the picture is for mixing application.)

Correct stem replacement assemblies are found in the Tradeline catalog.

By using this Honeywell literature, you agree that Honeywell will have no liability for any damages arising out of your use or modification to, the literature. You will defend and indemnify Honeywell, its affiliates and subsidiaries, from and against any liability, cost, or damages, including attorneys' fees, arising out of, or resulting from, any modification to the literature by you.

Honeywell Building Technologies

In the U.S.:
715 Peachtree Street NE
Atlanta, GA 30308
customer.honeywell.com

Honeywell

® U.S. Registered Trademark
© 2019 Honeywell International Inc.
62-2025EFS-06 M.S. Rev. 12-19
Printed in United States

Honeywell

Clapets à bille et actionneurs VBN

NOTICE D'INSTALLATION



APPLICATION

Les clapets à bille de régulation à deux voies VBN2 et à trois voies VBN3 conviennent à l'eau chaude ou refroidie avec concentrations de glycol pouvant atteindre 50 % dans les circuits de chauffage, de ventilation et de climatisation (CVC) à boucle fermée afin de procurer des fonctions de commande à deux positions ou de modulation. Ne convient pas aux circuits à boucle ouverte.

Ces clapets peuvent être commandés avec ou sans actionneurs à sécurité intégrée ou à position maintenue en cas de panne.

Notes d'application

Le dimensionnement des clapets est important pour que le système fonctionne correctement. Les clapets trop petits n'ont pas une capacité suffisante pour la charge maximale. Les clapets trop grands n'ont pas une autorité suffisante sur la charge dans les applications à modulation.

Les clapets surdimensionnés peuvent augmenter le nombre de cycles, entraînant la défaillance prématurée de l'actionneur. De plus, le siège et la bille peuvent s'endommager en raison de l'ouverture restreinte.

Utilisation correcte

Les clapets VBN sont uniquement conçus pour les circuits à boucle fermée d'eau chaude ou refroidie dans une plage de températures de 1,7 à 121 °C (35 à 250 °F) et à une pression maximale de 2 482 kPa (360 lb/po²).

L'eau doit être correctement filtrée, traitée et conditionnée pour fournir un bon rendement opérationnel, conformément aux recommandations des fabricants de chaudières et refroidisseurs. Il est recommandé de poser des crépines et des filtres.

IMPORTANT

La présence d'oxyde de fer (rouille rouge) en excès dans le système annule la garantie du clapet.

Coefficient de débit réel

Lorsque les clapets sont montés entre des réducteurs, une réduction de la capacité réelle du clapet a lieu car les réducteurs créent des pertes de pression supplémentaires dans le système. Ceci est particulièrement vrai pour les clapets à bille en raison de leur capacité élevée.

Pour les coefficients de débit réels des clapets à bille Honeywell utilisés avec des réducteurs, consulter la fiche des données du produit n° 62-2648.

Caractéristiques du débit

Les clapets à bille à deux voies VBN2 ont :

- une caractéristique de débit à égal pourcentage avec insert de régulation du débit breveté.

Les clapets à bille à trois voies VBN3 ont :

- entre les ports A et AB : une caractéristique de débit à égal pourcentage.
- entre les ports B et AB : caractéristique de débit linéaire à environ 80 % du coefficient de débit Cv.

Couple de service requis

Les actionneurs à accouplement direct et faible couple à sécurité intégrée ou à position maintenue en cas de panne de Honeywell peuvent être utilisés avec les clapets VBN2 et VBN3. Les clapets VBN ont un siège breveté qui réduit le couple requis de l'adaptateur. Un actionneur à accouplement direct de 35 lb-po fournit un couple suffisant pour fermer le clapet à la fermeture nominale. (Voir le Tableau 1.)

Actionneurs fournissant un couple de 305 Ncm (27 lb-po) (pour clapets jusqu'à 1,25 po de diamètre) et de 395 Ncm (35 lb-po) (pour les clapets de 1,5 po de diamètre et plus) qui suffit à fermer le clapet à son taux nominal. (Reportez-vous au Tableau 1.)

Tableau 1. Valeurs nominales de pression différentielle pour la fermeture.

Type de clapet	Taille du clapet (po)	Pression de fermeture nominale (psi)
2 voies	1/2, 3/4	130
	1, 1-1/4, 1-1/2, 2, 2-1/2, 3	100
3 voies	1/2, 3/4, 1	50
	1-1/4, 1-1/2, 2, 2-1/2	40

INSTALLATION

Lors de l'installation de ce produit...

1. Lire attentivement ces instructions. Le non-respect des instructions peut endommager le produit ou provoquer une situation dangereuse.
2. Vérifier les caractéristiques nominales indiquées dans les instructions et sur le produit, et s'assurer que celui-ci correspond bien à l'application prévue.
3. L'installateur doit être un technicien expérimenté ayant reçu la formation adéquate.
4. Une fois l'installation terminée, vérifier que le produit fonctionne comme indiqué dans ces instructions.

Préparation



MISE EN GARDE

Risque de dommages de l'équipement

Les particules étrangères telles que la poussière et les copeaux métalliques peuvent endommager les joints des billes.

Pour un fonctionnement sans problème du produit, les bonnes pratiques d'installation doivent inclure une vidange initiale du système et un traitement de l'eau chimique. Nettoyer les conduits en amont des particules d'un diamètre supérieur à 1/16 po (scories de soudage, dépôts calcaires de conduits, sable et autres particules en suspension). Il est recommandé d'utiliser un filtre en dérivation de 50 microns ou plus fin. Retirer tous les filtres avant de procéder à la vidange.

Ne pas utiliser d'additifs pour chaudières, de flux à soudure, ou de matériaux humides à base de pétrole ou qui contiennent des huiles minérales, des hydrocarbures ou du monoacétate d'éthylène glycol. Les composés qui peuvent être employés, dilués avec au moins la moitié d'eau, sont le diéthylène glycol, l'éthylène glycol et le propylène glycol (solutions antigel).

Si ces clapets sont installés dans un agrandissement ou pour la modernisation d'une installation existante, envisager la possibilité que le liquide présent dans la tuyauterie existante ne soit pas conforme à ces critères.

Installation mécanique

IMPORTANT

Tenir le clapet avec une clé à tuyau par le raccord hexagonal **UNIQUEMENT**. NE PAS tenir le clapet par le corps avec une clé à tuyau; ceci pourrait endommager le produit.

Les clapets ont un filetage NPT et doivent être étanchéifiés avec un produit d'étanchéité pour tuyauterie approuvé. Le couple ne doit pas dépasser 75 lb-pi.

Consulter la documentation de l'actionneur pour les dimensions de l'actionneur.

1. Nettoyer les conduits en amont des particules d'un diamètre supérieur à 1/16 po (scories de soudage, dépôts calcaires de conduits et autre contaminants).
2. Procéder à l'installation une fois que les spécifications du système (expansion/contraction du système et du fluide, et pressions de fonctionnement) sont dans les tolérances indiquées.
3. Éliminer l'air du système.
4. Les clapets à deux voies sont marqués pour montrer la direction du débit.

IMPORTANT

Les flèches de débit doivent pointer dans la direction du débit pour assurer un fonctionnement adéquat.

REMARQUE : Pour le montage du clapet à trois voies, voir les Fig. 1 et 2.

5. Rotation de la tige :
 - a. Pour les clapets à deux voies :
 - (1) Sens horaire pour fermer.
 - (2) Sens antihoraire pour ouvrir.
 - b. Pour les clapets à trois voies :
 - (1) Sens horaire pour augmenter le débit B à AB.
 - (2) Sens antihoraire pour augmenter le débit A à AB.

REMARQUE : Une fois les clapets installés dans la tuyauterie, l'installateur peut déterminer l'orientation de la bille dans le clapet grâce aux encoches en haut de la tige du clapet. Pour les clapets à deux voies, la direction longitudinale de l'encoche indique un débit par la bille (c'est-à-dire que lorsque l'encoche est parallèle à l'axe du clapet entre les ports A et B, la bille permet le débit par le clapet). Pour les clapets à trois voies, le débit peut être déterminé par l'orientation de l'encoche en forme de « T » dans la tige du clapet, comme illustré à la Fig. 2.

6. Le clapet doit être monté avec l'actionneur/support au-dessus du corps du clapet. Ne pas installer le clapet avec la tige sous l'horizontale ou inversée. (Voir les Fig. 4 et 5.)

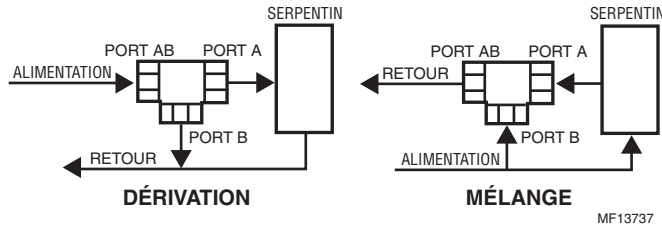
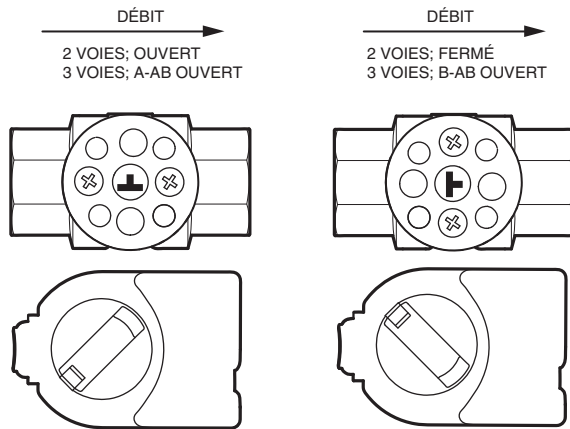


Fig. 1. Orientation du débit pour le clapet à bille à trois voies (pas à l'échelle).

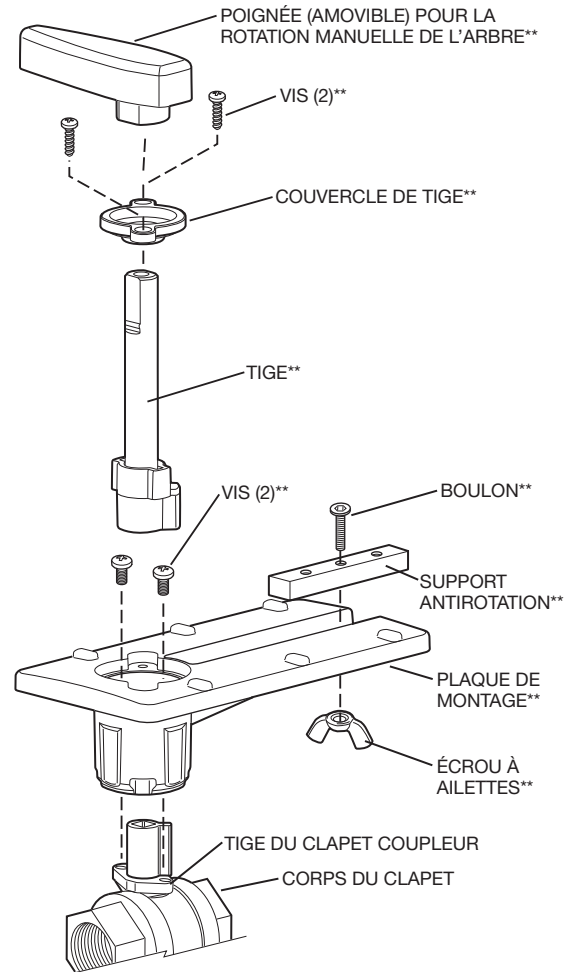


REMARQUES : **POUR LES CLAPETS À DEUX VOIES** POUR MONTER L'ACTIONNEUR SUR UN CLAPET OUVERT, TOURNER COMPLÈTEMENT L'ACTIONNEUR DANS LE SENS ANTIHORAIRE COMME ILLUSTRÉ. POUR LES CLAPETS À DEUX VOIES POUR MONTER L'ACTIONNEUR SUR UN CLAPET FERMÉ, TOURNER COMPLÈTEMENT L'ACTIONNEUR DANS LE SENS HORAIRE COMME ILLUSTRÉ.

POUR LES CLAPETS À TROIS VOIES POUR MONTER L'ACTIONNEUR SUR UN CLAPET A-AB, TOURNER COMPLÈTEMENT L'ACTIONNEUR DANS LE SENS ANTIHORAIRE COMME ILLUSTRÉ. POUR LES CLAPETS À TROIS VOIES POUR MONTER L'ACTIONNEUR SUR UN CLAPET B-AB, TOURNER COMPLÈTEMENT L'ACTIONNEUR DANS LE SENS HORAIRE COMME ILLUSTRÉ.

MF33201D

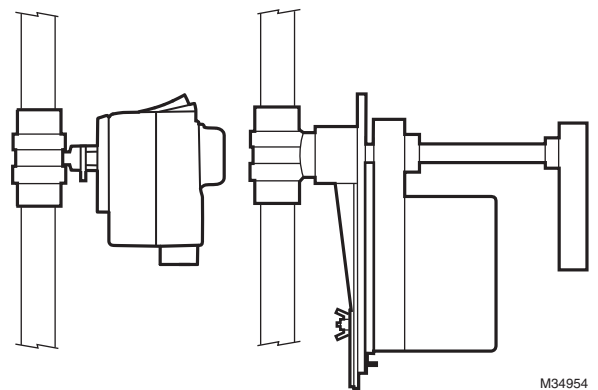
Fig. 2. Orientation de la bille dans le clapet.



**INCLUS DANS LE NÉCESSAIRE DE RECHANGE (RÉF. N° 5112-11)

MF13738A

Fig. 3. Vue éclatée du clapet.



M34954

Fig. 4. Installation verticale du clapet.

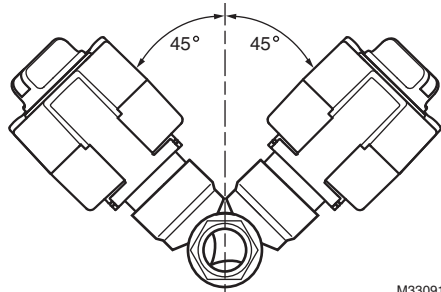


Fig. 5. Angle de clapet acceptable par rapport à la verticale

Ajustement de la plaque de montage

La plaque de montage de l'actionneur peut être tournée à une position différente pour les installations en espace réduit. Ceci s'accomplit de la façon suivante :

1. Retirer la poignée de l'arbre et la mettre de côté.
2. Retirer les deux vis fixant la tige à la plaque de montage et les mettre de côté.
3. Retirer la tige et la mettre de côté.
4. Retirer les deux vis fixant la plaque de montage au clapet et les mettre de côté.
5. Retirer la bague de retenue de la plaque de montage et la mettre de côté.
6. Faire tourner la plaque de montage autour de la partie supérieure du clapet à la position désirée.

REMARQUE : Noter la position des trous de vis sur le clapet. Ils limitent les positions de la plaque de montage.

7. Abaisser la bague sur le corps du clapet et l'engager dans la nouvelle position par rapport à la plaque de montage.
8. Serrer les vis du corps du clapet fixant la plaque de montage.
9. Rattacher la tige à la plaque de montage.
10. Si cela est souhaité, replacer la poignée sur l'arbre.

REMARQUE : Voir la Fig. 3 pour la vue éclatée du clapet.

Installation électrique

1. Si nécessaire, retirer le couvercle de câblage de l'actionneur.
 - a. Pour les circuits à 24 V CA, utilisez un transformateur de classe II.
2. Câbler l'actionneur en consultant les Figures 6 à 29 pour l'application requise.
3. Replacer le couvercle.

Câblage

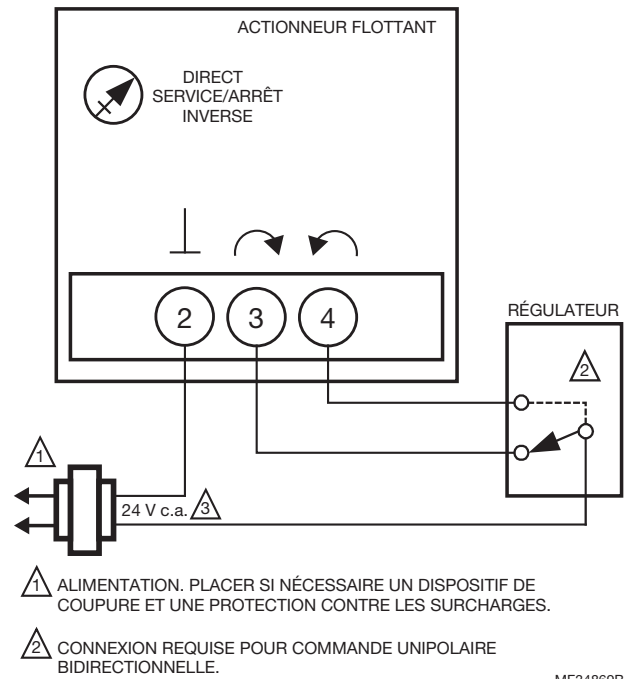


Fig. 6. MN6105 avec commande SPDT marche/arrêt.

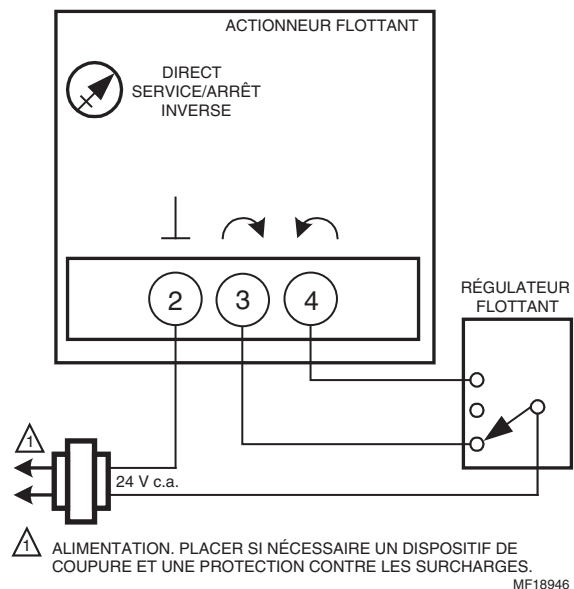


Fig. 7. MN6105 avec commande flottante.

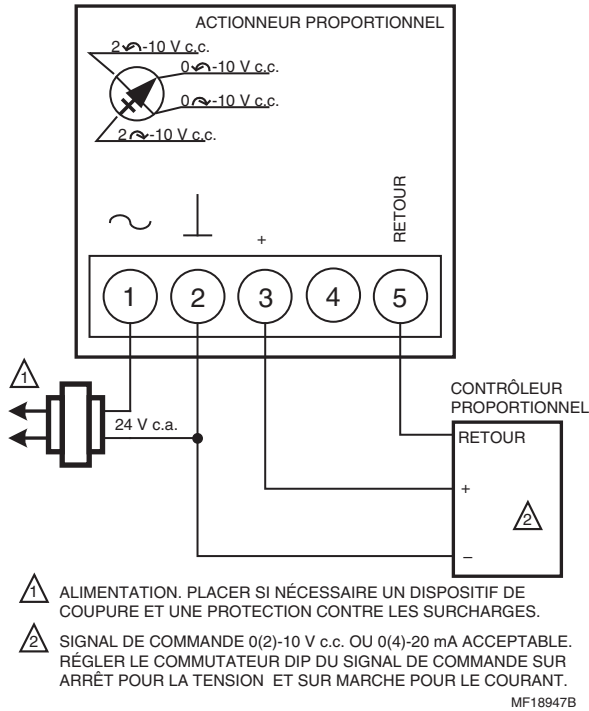


Fig. 8. MN7505 avec commande 0(2)-10 V CC.

INTERRUPTEURS D'EXTRÉMITÉ (CLASSE II UNIQUEMENT)

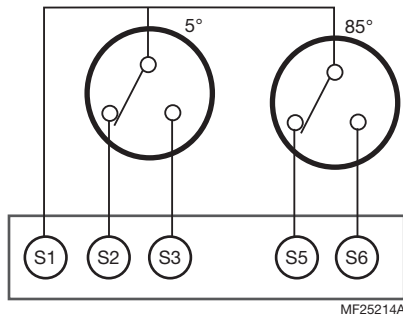


Fig. 9. Câblage pour modèles MN6105 et MN7505 avec contacteurs aux./de fin de course.

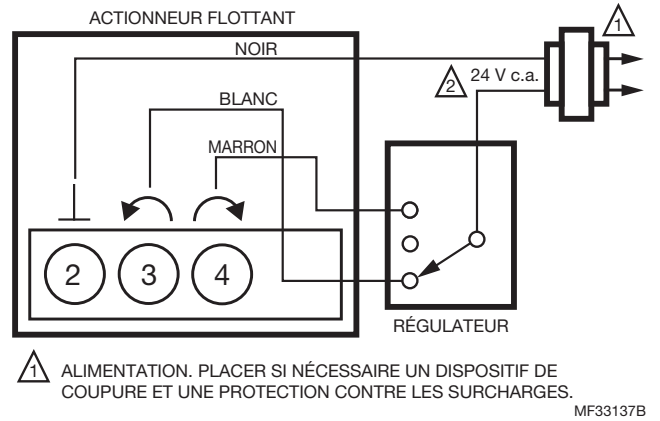


Fig. 10. MVN613 avec commande flottante

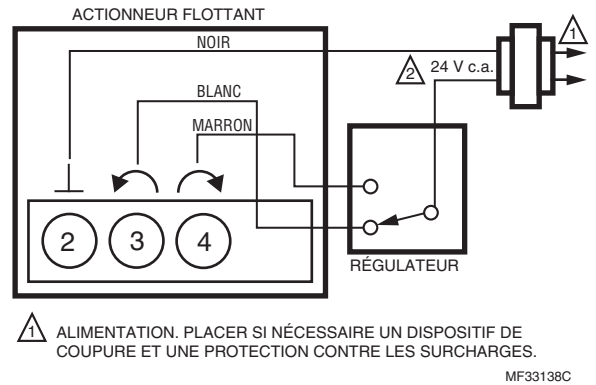


Fig. 11. MVN613 ou MVN643 à commande SPDT à deux positions.

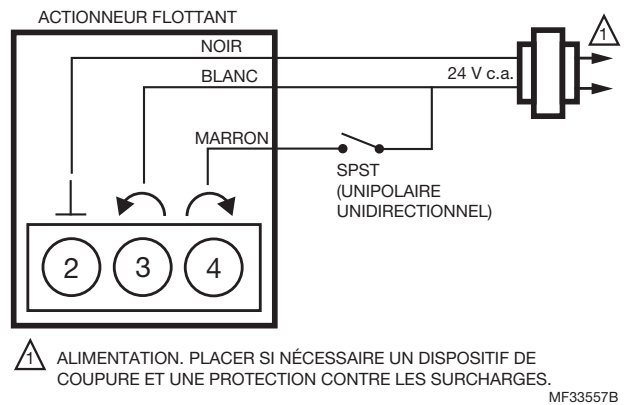
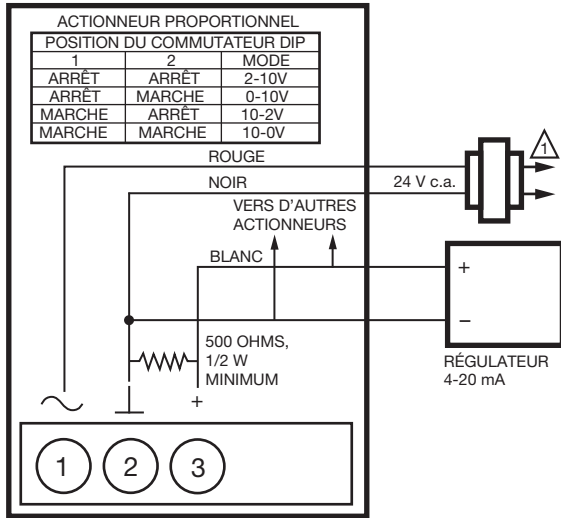


Fig. 12. MVN643 avec commande unipolaire unidirectionnelle à deux positions.

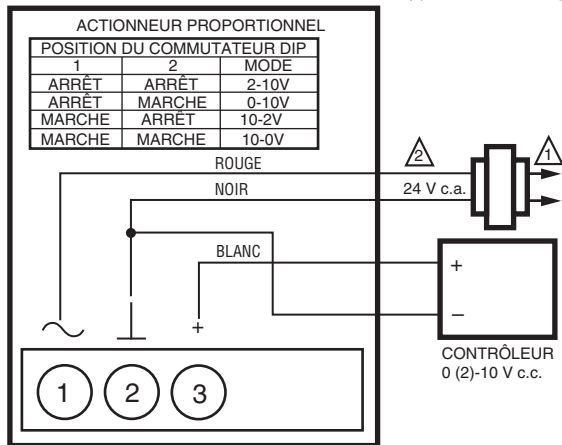
PROPORTIONNEL/MODULATION : SORTIE DE RÉGULATEUR 4-20mA AVEC RÉSISTANCE 500 Ω



⚠ ALIMENTATION. PLACER SI NÉCESSAIRE UN DISPOSITIF DE COUPURE ET UNE PROTECTION CONTRE LES SURCHARGES. MF3314D

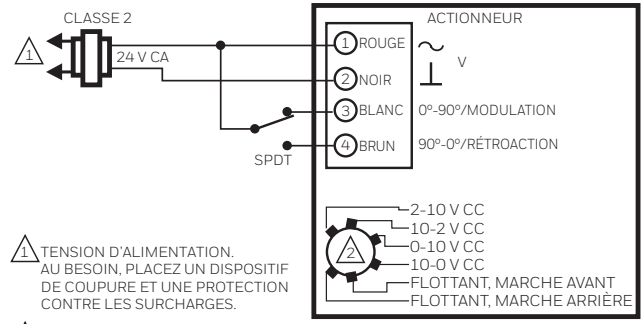
Fig. 13. MVN713 avec régulateur 4-20mA.

PROPORTIONNEL/MODULATION : SORTIE DE CONTRÔLEUR 0(2)...10 V c.c. OU 10...0(2) V c.c.



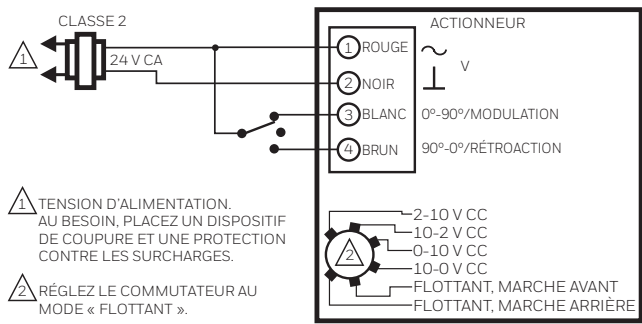
⚠ ALIMENTATION. PLACER SI NÉCESSAIRE UN DISPOSITIF DE COUPURE ET UNE PROTECTION CONTRE LES SURCHARGES.
 ⚠ ALIMENTATION 24 V c.c. ACCEPTABLE. MF33140

Fig. 14. MVN713 avec régulateur 0(2)-10 V c.c.



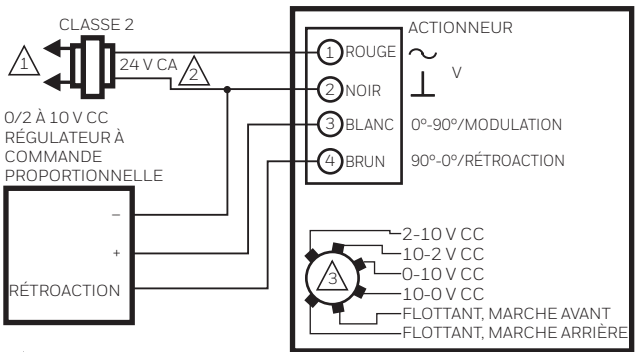
⚠ TENSION D'ALIMENTATION. AU BESOIN, PLACER UN DISPOSITIF DE COUPURE ET UNE PROTECTION CONTRE LES SURCHARGES.
 ⚠ RÉGLEZ LE COMMUTEUR AU MODE « FLOTTANT ».

Fig. 15. MS7505 à commande SPDT à deux positions.



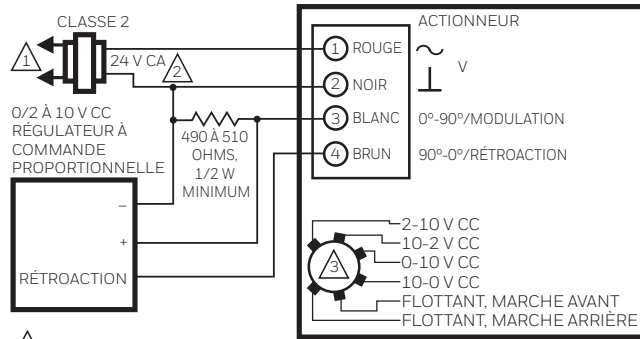
⚠ TENSION D'ALIMENTATION. AU BESOIN, PLACER UN DISPOSITIF DE COUPURE ET UNE PROTECTION CONTRE LES SURCHARGES.
 ⚠ RÉGLEZ LE COMMUTEUR AU MODE « FLOTTANT ».

Fig. 16. MS7505 à commande à flotteur.



⚠ TENSION D'ALIMENTATION. AU BESOIN, PLACER UN DISPOSITIF DE COUPURE ET UNE PROTECTION CONTRE LES SURCHARGES.
 ⚠ ALIMENTATION 24 V CC ACCEPTÉE.
 ⚠ RÉGLEZ LE COMMUTEUR À MODULATION, SI POSSIBLE. MF37320

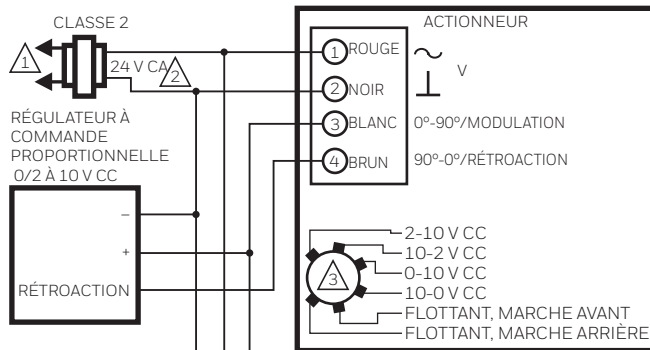
Fig. 17. MS7103 avec commande 2-10 V CC (MS7503 montré, ignorez le sélecteur).



- 1 TENSION D'ALIMENTATION. AU BESOIN, PLACEZ UN DISPOSITIF DE COUPURE ET UNE PROTECTION CONTRE LES SURCHARGES.
- 2 ALIMENTATION 24 V CC ACCEPTÉE.
- 3 RÉGLEZ LE COMMUTATEUR À MODULATION, SI POSSIBLE.

MF37321

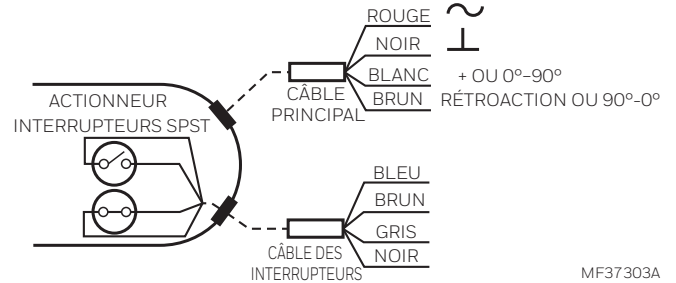
Fig. 18. MS7103 avec commande 4-20 mA (MS7503 montré, ignorez le sélecteur).



- 1 TENSION D'ALIMENTATION. AU BESOIN, PLACEZ UN DISPOSITIF DE COUPURE ET UNE PROTECTION CONTRE LES SURCHARGES.
- 2 ALIMENTATION 24 V CC ACCEPTÉE.
- 3 RÉGLEZ LE COMMUTATEUR À MODULATION, SI POSSIBLE.

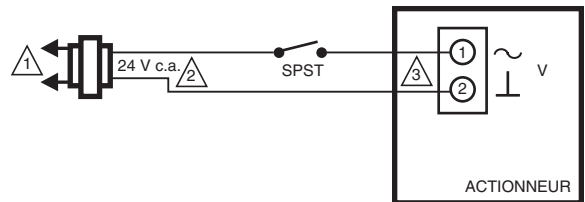
MF37322

Fig. 19. MS7103 avec commande 2-10 V CC utilisant deux actionneurs (MS7503 montré, ignorez le sélecteur).



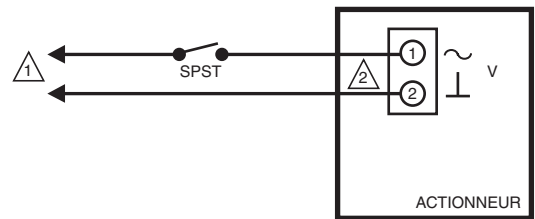
MF37303A

Fig. 20. Câblage pour interrupteurs auxiliaires MS7103 et MS3103). Gris/noir = normalement ouvert. Fermé dans la plage de 80 degrés à entièrement ouvert. Bleu/marron = normalement fermé. Ouvert dans la plage de 10 degrés à entièrement ouvert.



- 1 ALIMENTATION SECTEUR. PLACER SI NÉCESSAIRE UN DISPOSITIF DE COUPURE ET UNE PROTECTION CONTRE LES SURCHARGES.
- 2 ALIMENTATION 24 V c.c. ACCEPTABLE.

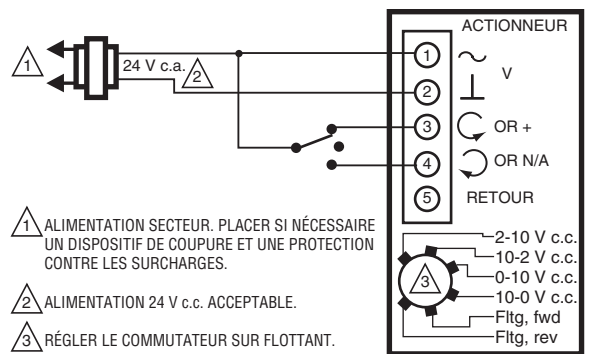
MF34973



- 1 ALIMENTATION SECTEUR. PLACER SI NÉCESSAIRE UN DISPOSITIF DE COUPURE ET UNE PROTECTION CONTRE LES SURCHARGES.

MF34974

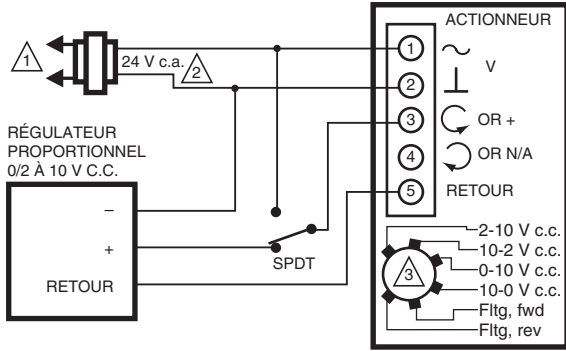
Fig. 21. MS8105 à commande SPDT à deux positions.



- 1 ALIMENTATION SECTEUR. PLACER SI NÉCESSAIRE UN DISPOSITIF DE COUPURE ET UNE PROTECTION CONTRE LES SURCHARGES.
- 2 ALIMENTATION 24 V c.c. ACCEPTABLE.
- 3 RÉGLER LE COMMUTATEUR SUR FLOTANT.

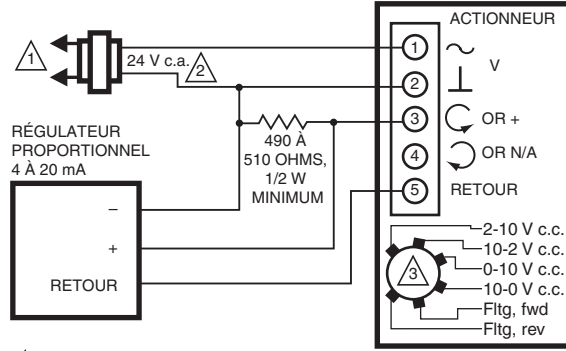
MF34975

Fig. 22. MS7505 pour action flottante.



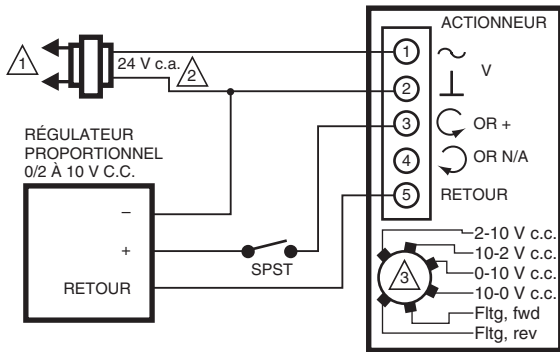
- 1 ALIMENTATION SECTEUR. PLACER SI NÉCESSAIRE UN DISPOSITIF DE COUPURE ET UNE PROTECTION CONTRE LES SURCHARGES.
 - 2 ALIMENTATION 24 V c.c. ACCEPTABLE.
 - 3 RÉGLER LE COMMUTATEUR SUR MODULANT.
- MF19576

Fig. 23. MS7505 avec dérivation pour ouverture complète.



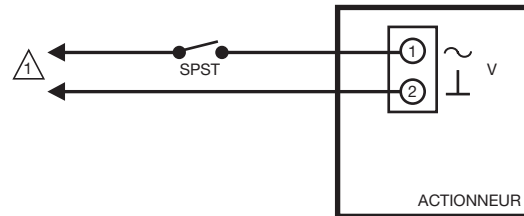
- 1 ALIMENTATION SECTEUR. PLACER SI NÉCESSAIRE UN DISPOSITIF DE COUPURE ET UNE PROTECTION CONTRE LES SURCHARGES.
 - 2 ALIMENTATION 24 V c.c. ACCEPTABLE.
 - 3 RÉGLER LE COMMUTATEUR SUR MODULANT.
- MF34977

Fig. 26. MS7505 avec régulateurs 4-20 mA.



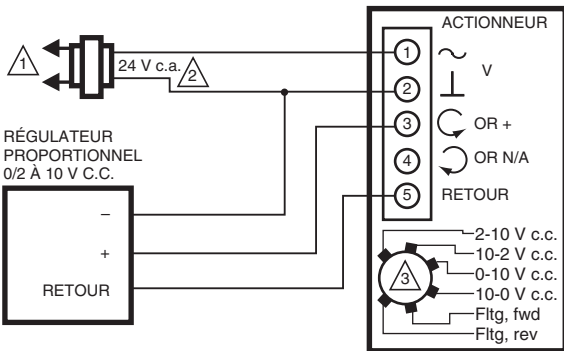
- 1 ALIMENTATION SECTEUR. PLACER SI NÉCESSAIRE UN DISPOSITIF DE COUPURE ET UNE PROTECTION CONTRE LES SURCHARGES.
 - 2 ALIMENTATION 24 V c.c. ACCEPTABLE.
 - 3 RÉGLER LE COMMUTATEUR SUR MODULANT.
- MF19577

Fig. 24. MS7505 avec dérivation pour fermeture complète.



- 1 ALIMENTATION SECTEUR. FOURNI AU BESOIN UN DISPOSITIF DE COUPURE ET UNE PROTECTION CONTRE LES SURCHARGES.
- MF29122A

Fig. 27. MS4105 à commande SPDT 120 V CA à deux positions.



- 1 ALIMENTATION SECTEUR. PLACER SI NÉCESSAIRE UN DISPOSITIF DE COUPURE ET UNE PROTECTION CONTRE LES SURCHARGES.
 - 2 ALIMENTATION 24 V c.c. ACCEPTABLE.
 - 3 RÉGLER LE COMMUTATEUR SUR MODULANT.
- MF34976

Fig. 25. MS7505 avec régulateurs 0(2)-10 V CC.

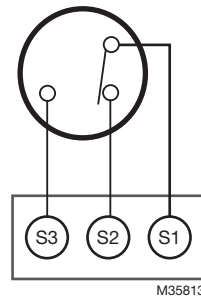


Fig. 28. Câblage pour les modèles avec interrupteurs d'extrémité/auxiliaire.

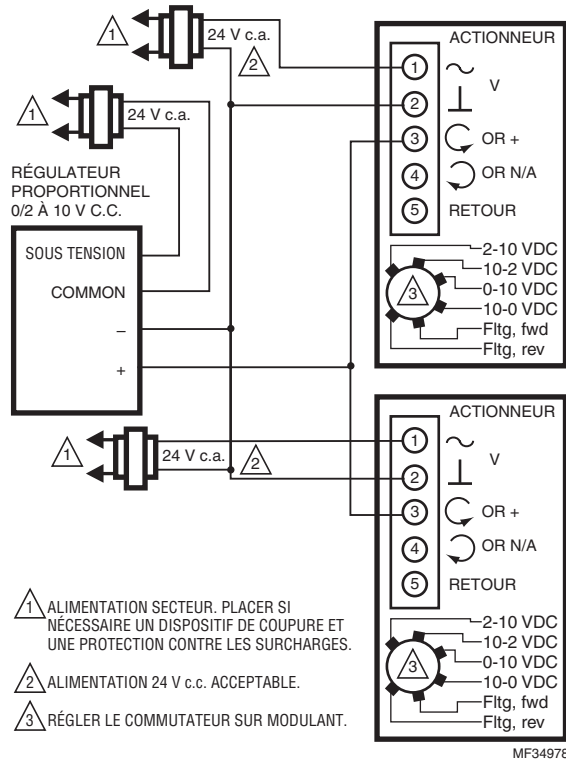


Fig. 29. MS7505 avec régulateur 0(2)-10 V CC actionnant plusieurs actionneurs.

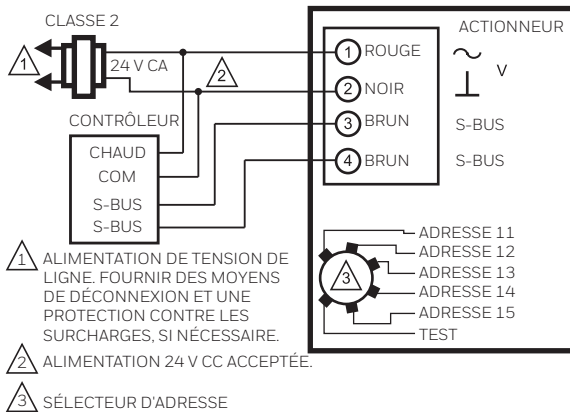


Fig. 30. MS3103 avec commande de bus SYLK.

FONCTIONNEMENT ET VÉRIFICATION

Une fois les installations mécanique et électrique terminées :

1. Actionner l'actionneur pour vérifier que le sens de rotation correspond à la séquence de commande.
2. Si le sens de rotation est incorrect :
 - a. Pour les actionneurs de retour à ressort à deux positions et compatibles SYLK : Remonter l'actionneur sur le support.

- b. Pour les actionneurs de commande flottants : Inverser les deux fils de signal de commande (horaire/antihoraire).
 - c. Pour actionneurs modulant à ressort de rappel :
 - (1) les actionneurs MS7505 remplacent le contacteur de sélection de signal; actionneurs MS7103 2-10 V CC seulement (inversion impossible) ou
 - (2) Pour changer le sens du ressort de rappel : déposer, inverser et poser l'actionneur de nouveau sur le support.
 - d. Pour les actionneurs modulant sans ressort de rappel, repositionner le sélecteur de circulation inversée/directe.
3. Si la configuration de commande nécessite un fonctionnement avec sécurité intégrée, s'assurer que la position de sécurité coïncide avec la séquence de commande lors de l'interruption de l'alimentation.
 4. Si la position de sécurité intégrée est incorrecte, retirer et réinstaller l'actionneur dans le sens opposé de la façon suivante :
 - a. Desserrer le boulon d'accouplement de l'arbre avec une clé de 10 mm.
 - b. Desserrer tous les autres boulons de montage connectant l'actionneur au support de montage et les mettre de côté.
 - c. Retirer l'actionneur de l'arbre du clapet.
 - d. Déplacer l'accouplement de l'adaptateur du côté opposé à l'actionneur, comme illustré sur la Fig. 31
 - (1) Retirer l'attache de fixation de l'accouplement de l'arbre et la mettre de côté pour une utilisation ultérieure.
 - (2) Retirer l'accouplement de l'arbre d'un côté de l'actionneur.
 - (3) Réinstaller l'accouplement de l'arbre sur le côté opposé de l'actionneur en l'alignant conformément à l'étiquetage de course.
 - (4) Replacer l'attache de fixation sur l'accouplement de l'arbre en utilisant la rainure de l'accouplement.
 - e. Reconnecter l'actionneur au support de montage du clapet en remplaçant les vis précédemment déposées (étape b).
 - f. Desserrer le boulon d'accouplement de l'arbre avec une clé de 10 mm.

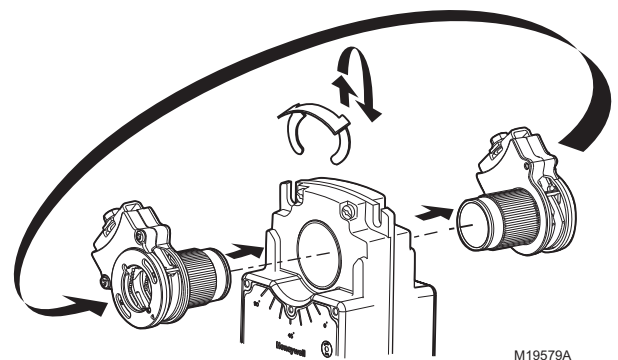


Fig. 31. Montage de l'accouplement de l'arbre sur le côté opposé de l'actionneur.

Réparations et entretien

La tige de clapet peut être remplacée dans le système, si nécessaire. Voir la Fig. 32.

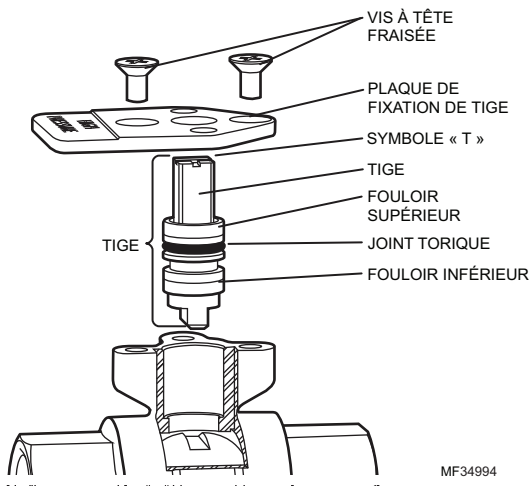


Fig. 32. Remplacement dans le système de la tige de clapet.

Remplacement de la tige de clapet

⚠️ WARNING

Des égratignures à l'intérieur de la gorge du clapet pourraient causer une fuite après le remontage.

1. Fermez les vannes d'isolement des côtés alimentation et retour du régulateur Honeywell. (En l'absence de vannes d'isolement, freinez la pompe de circulation.) La pression doit être libérée du clapet.
2. Libérez l'excédant de pression de la partie isolée en ouvrant un événement ou un robinet de vidange.
3. Retirez l'actionneur. Assurez-vous que le clapet est fermé. Le symbole T sur la tige doit être orienté comme sur le dessin de droite de la Fig. 33 ci-dessous.

4. Retirez les deux vis de fixant la plaque adaptatrice. Mettez ces vis au rebut.
5. Retirez la tige en vous assurant de retirer également le fouloir de presse-garniture inférieur, puis mettez-les au rebut.
6. Couvrez la tige neuve de la graisse de protection fournie.
7. Insérez la tige neuve. N'oubliez pas d'aligner la clavette au bas de la tige avec la fente de la bille et d'aligner le symbole T de la tige neuve exactement comme sur l'ancienne tige, comme le dessin de droite de la Fig. 33 ci-dessous.
8. Remplacez la plaque adaptatrice.
9. Serrez les deux vis neuves fournies à un couple de 186 Ncm (16,5 lb-po) ($\pm 10\%$) pour fixer la plaque adaptatrice au corps du clapet.
10. Ouvrez complètement les vannes d'isolement.
11. Lorsque les installations mécaniques et électriques sont terminées, effectuez un cycle de l'actionneur pour confirmer son bon fonctionnement et assurez-vous que le sens de rotation correspond à celui du signal de commande. Si l'actionneur est un modèle à sécurité intégrée, assurez-vous que le clapet est à la position exacte lorsque l'alimentation est coupée.

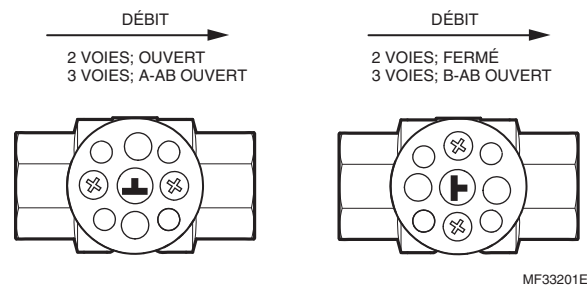


Fig. 33.

Lorsque le clapet est à la position de gauche (A à AB ouvert), l'actionneur a tourné la tige dans le sens antihoraire.

Lorsque le clapet est à la position de droite, l'actionneur a tourné la tige dans le sens horaire.

(Pour les clapets à trois voies, le sens de l'écoulement de l'image correspond à un circuit de mélange.)

Vous pouvez trouver des trousse de tige de rechange dans le catalogue Tradeline.

Par l'utilisation de la présente documentation Honeywell, vous consentez à ce qu'Honeywell ne possède aucune responsabilité pour tous dommages résultant de votre utilisation ou modification de ladite documentation. Vous défendrez et indemnerez Honeywell, ses sociétés affiliées, filiales pour et contre toute responsabilité, frais ou dommages, y compris les honoraires d'avocats, résultant de quelque manière, ou survenant en connexion avec toute modification à la documentation de votre part.

Honeywell Building Technologies

Aux États-Unis :
715 Peachtree Street NE
Atlanta, GA 30308
customer.honeywell.com

® Marque de commerce déposée aux États-Unis
© 2019 Honeywell International Inc.
62-2025EFS-06 M.S. Rev. 12-19
Imprimé aux États-Unis

Honeywell

Honeywell

Válvulas de bola de control y actuadores VBN

INSTRUCCIONES PARA LA INSTALACIÓN



APLICACIÓN

Las válvulas de bola de control bidireccionales VBN2 y tridireccionales VBN3 controlan el agua caliente y fría con soluciones de glicol de hasta el 50 % en sistemas de calefacción, ventilación y aire acondicionado (HVAC) de circuito cerrado para brindar funciones de dos posiciones o de modulación. No están diseñadas para sistemas de circuito abierto.

Estos ensambles de válvula se pueden pedir con o sin actuadores con mecanismo de seguridad o de falla en la posición de montaje en fábrica.

Notas sobre la aplicación

El tamaño de la válvula es importante para el funcionamiento adecuado del sistema. Las válvulas de menor tamaño no tienen suficiente capacidad a la carga máxima. Las válvulas de mayor tamaño no tienen suficiente control sobre la carga en aplicaciones modulantes.

Las válvulas de mayor tamaño pueden causar ciclos excesivos, lo que produce una falla prematura del actuador, y se pueden dañar el asiento y la bola debido a la apertura restringida.

Uso correcto

Las válvulas VBN están diseñadas para utilizarse solamente en aplicaciones de circuito cerrado de agua fría y caliente, con un rango de temperatura de 35 °F a 250 °F (2 °C a 120 °C) y presiones de 360 psig (25 kg/cm²).

El agua debe estar bien filtrada, tratada y acondicionada para un buen rendimiento operativo, y de acuerdo con las recomendaciones del fabricante de la caldera o del enfriador. Se recomienda la instalación de tamices y filtros.

IMPORTANTE

La presencia de óxido de hierro (oxidación de color rojo) en exceso en el sistema anula la garantía de la válvula.

C_v efectivo

Cuando las válvulas están montadas entre reductores de tubería, la capacidad real de la válvula disminuye porque los reductores crean pérdidas de presión adicionales en el sistema. Esto sucede, especialmente, en las válvulas de bola debido a su alta capacidad.

Para C_v efectivos para las válvulas de control Honeywell cuando se usan con reductores de tubo, consulte la hoja de datos del producto forma 62-2648.

Características de flujo

Las válvulas de bola VBN2 de dos vías tienen:

- una característica de flujo de igual porcentaje con el uso de inserto de control de un flujo caracterizado.

Las válvulas de bola de control VBN3 de tres vías tienen:

- entre los puertos A y AB: una característica de flujo de igual porcentaje.
- entre los puertos B y AB: una característica de flujo lineal al 80 % aproximadamente del coeficiente de flujo C_v nominal.

Fuerza de torsión necesario para operación

Tanto los actuadores de acoplamiento directo de poca fuerza de torsión como de falla en la posición de Honeywell se pueden utilizar con las válvulas VBN2 y VBN3. Las válvulas VBN utilizan un diseño de asiento patentado que disminuye la fuerza de torsión necesaria del actuador.

Los actuadores con un par de torsión de 27 lb-in (3 Nm) (para válvulas de hasta 1-1/4" [32 mm] de tamaño) y 35 lb-in (4 Nm) (para válvulas mayores de 1-1/2" [38 mm] de tamaño) ofrecen un par de torsión suficiente para operar la válvula en el cierre nominal. (Consulte la Tabla 1).

Tabla 1. Especificaciones de presión de cierre, presión diferencial.

Tipo de válvula	Tamaño de la válvula (in)	Especificación de presión de cierre (psi):
2 vías	1/2, 3/4	130
	1, 1-1/4, 1-1/2, 2, 2-1/2, 3	100
3 vías	1/2, 3/4, 1	50
	1-1/4, 1-1/2, 2, 2-1/2	40

INSTALACIÓN

Cuando instale este producto...

1. Lea detenidamente estas instrucciones. De no seguirlas, se podría dañar el producto o provocar una situación peligrosa.
2. Revise los valores nominales especificados en las instrucciones y en el producto, para asegurarse que el producto sea adecuado para la aplicación.
3. El instalador debe ser un técnico de servicio capacitado y experimentado.
4. Después de terminar la instalación, compruebe el funcionamiento del producto tal como se indica en estas instrucciones.

Preparación



CAUTION

Riesgo de daño en el equipo

Las partículas extrañas, como los restos de metal y la suciedad, pueden dañar los sellos de la bola.

Para que el producto funcione sin complicaciones, el proceso de instalación adecuado debe incluir el drenado inicial del sistema y el tratamiento químico del agua. Limpie los conductos de manera ascendente para quitar partículas de más de 1/16 in (1.6 mm) de diámetro (escorias de soldadura, sarro en las tuberías, arena y otras partículas suspendidas). Se sugiere utilizar un filtro de corriente lateral para el sistema de 50 micrones (o más fino). Retire todos los filtros antes de realizar el drenaje.

No emplee aditivos para calderas, fundente para soldar ni materiales húmedos a base de petróleo o que contengan aceites minerales, hidrocarburos o acetato de etilenglicol. Los compuestos que se pueden utilizar, con un mínimo de 50% de disolución en agua, son: dietilenglicol, etilenglicol y propilenglicol (soluciones anticongelantes).

Si instala estas válvulas en la ampliación o modernización de un edificio existente, no dé por hecho que el líquido en las tuberías existentes cumple con estos requisitos.

Instalación mecánica

IMPORTANTE:

Sujete la válvula con una llave para tubería por el conector hexagonal ÚNICAMENTE. NO manipule el cuerpo de la válvula con la llave para tubería; el producto se puede dañar.

Las válvulas se rosca en el conector NPT y se deben sellar con un sellador aprobado para tuberías. La fuerza de torsión no debe exceder 75 lb-pies.

Consulte los documentos del actuador para conocer las dimensiones del actuador.

1. Limpie los conductos de manera ascendente para quitar partículas de más de 1/16 in (1.6 mm) de diámetro (escorias de soldadura, sarro en las tuberías y otros agentes contaminantes).
2. Continúe con la instalación una vez que las condiciones específicas del sistema (expansión/contracción del sistema y su medio, así como también las presiones de funcionamiento) estén dentro de las tolerancias.
3. Elimine el aire del sistema.
4. Las válvulas de dos vías están marcadas para mostrar la dirección del flujo.

IMPORTANTE

Las flechas del flujo deben estar orientadas en la dirección del flujo para un funcionamiento correcto.

NOTA: Para el montaje de válvula de tres vías, consulte las Fig. 1 y 2.

5. Rotación del vástago:
 - a. Para las válvulas de dos vías:
 - (1) En sentido horario para cerrar.
 - (2) En sentido antihorario para abrir.
 - b. Para válvulas de tres vías:
 - (1) En sentido horario para aumentar el flujo de B a AB.
 - (2) En sentido antihorario para aumentar el flujo de A a AB.

NOTA: Después de instalar las válvulas en las tuberías, el instalador puede determinar la orientación de la bola dentro de la válvula por las muescas que se encuentran en la parte superior del vástago de la válvula. Para las válvulas de dos vías, la dirección en sentido longitudinal de la muesca indica el flujo a través de la bola (es decir, cuando la muesca se encuentra paralela al eje de la válvula entre los puertos A y B, la bola permitirá el flujo a través de la válvula). Para las válvulas de tres vías, el flujo puede determinarse por la orientación de la muesca en forma de "T" en el vástago de la válvula, como se muestra en la Fig. 2.

6. La válvula se debe montar con el actuador/soporte por encima del cuerpo de la válvula. No instale la válvula con el vástago por debajo de la línea horizontal o en forma invertida. (Consulte las Fig. 4 y 5).

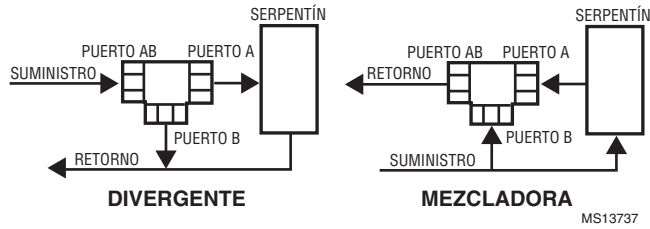
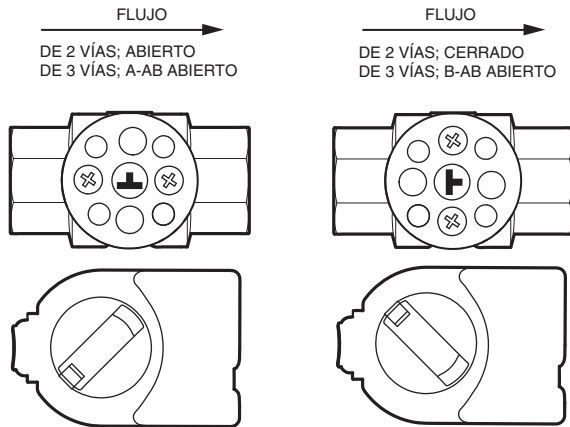


Fig. 1. Orientación del flujo de la válvula de bola de tres vías (no está a escala).

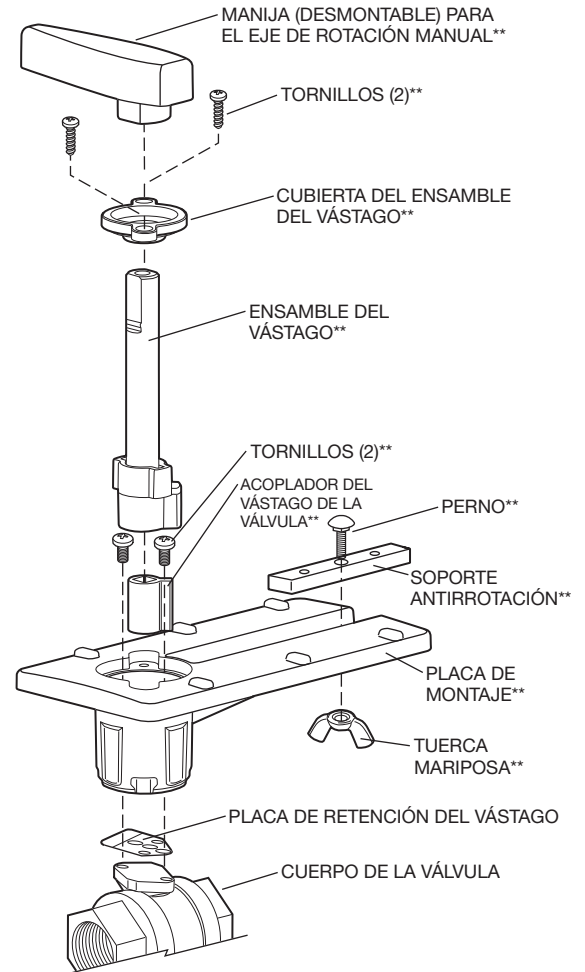


NOTAS: **VÁLVULAS DE 2 VÍAS:** PARA MONTAR EL ACTUADOR EN UNA VÁLVULA ABIERTA, GIRE EL ACTUADOR COMPLETAMENTE EN SENTIDO ANTIHORARIO COMO SE MUESTRA. VÁLVULAS DE 2 VÍAS: PARA MONTAR EL ACTUADOR EN UNA VÁLVULA CERRADA, GIRE EL ACTUADOR COMPLETAMENTE EN SENTIDO HORARIO COMO SE MUESTRA.

VÁLVULAS DE 3 VÍAS: PARA MONTAR EL ACTUADOR EN UNA VÁLVULA A-AB, GIRE EL ACTUADOR COMPLETAMENTE EN SENTIDO ANTIHORARIO COMO SE MUESTRA. VÁLVULAS DE 3 VÍAS: PARA MONTAR EL ACTUADOR EN UNA VÁLVULA B-AB, GIRE EL ACTUADOR COMPLETAMENTE EN SENTIDO HORARIO COMO SE MUESTRA.

MS33201D

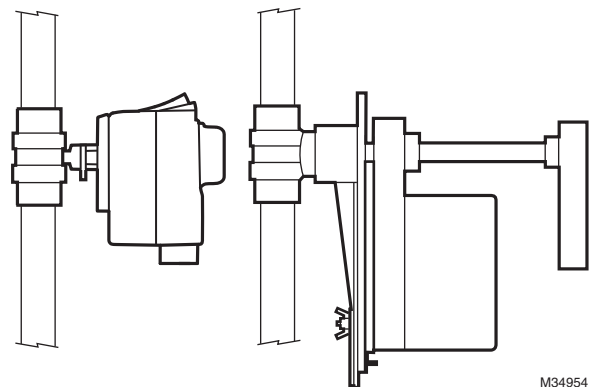
Fig. 2. Orientación de la bola en la válvula.



**SE INCLUYE EN EL KIT DE REPUESTO (PIEZA N.º 5112-11).

MS29526A

Fig. 3. Vista en despiece del ensamble de la válvula.



M34954

Fig. 4. Instalación vertical de la válvula.

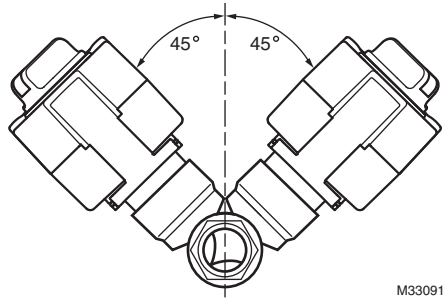


Fig. 5. Ángulo aceptable de la válvula desde la línea vertical.

Ajuste de la placa de montaje

La placa de montaje del actuador se puede girar hacia una posición diferente para la instalación en espacios reducidos. Esto se realiza de la siguiente manera:

1. Quite la manija del eje y déjela a un lado.
2. Quite los dos tornillos que sujetan el ensamble del vástago a la placa de montaje y déjelos a un lado.
3. Quite y deje a un lado el ensamble del vástago.
4. Quite y deje a un lado los dos tornillos que sujetan la placa de montaje a la válvula.
5. Quite y aparte el aro de sujeción de la placa de montaje.
6. Gire la placa de montaje alrededor de la parte superior de la válvula a la posición deseada.

NOTA: Tenga en cuenta las posiciones de los agujeros para los tornillos en la válvula. Estos limitan las posiciones de la placa de montaje.

7. Baje el aro hasta el cuerpo de la válvula y engánchelo en la nueva posición con relación a la placa de montaje.
8. Apriete los tornillos al cuerpo de la válvula para fijar la placa de montaje.
9. Vuelva a fijar el ensamble del vástago a la placa de montaje.
10. Si lo desea, reemplace la manija en el eje.

NOTA: Consulte la Fig. 3 para ver la vista en despiece de la válvula.

Instalación eléctrica

1. Si fuera necesario, retire la cubierta del cableado del actuador.
 - a. Para aplicaciones de 24 V CA, use un transformador Clase II.
2. Conecte el actuador usando las Figuras 6 a 29 como guía para la aplicación requerida.
3. Vuelva a colocar la cubierta.

Cableado

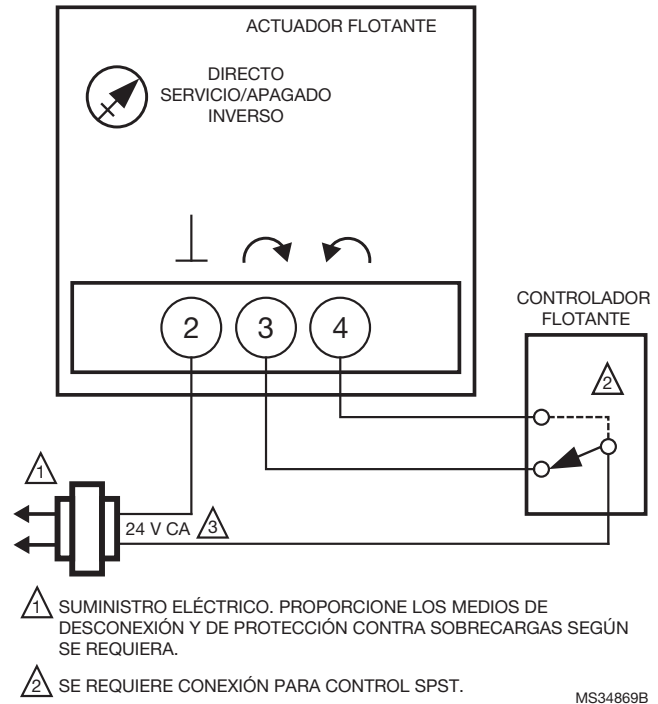


Fig. 6. MN6105 con control SPDT de encendido/apagado.

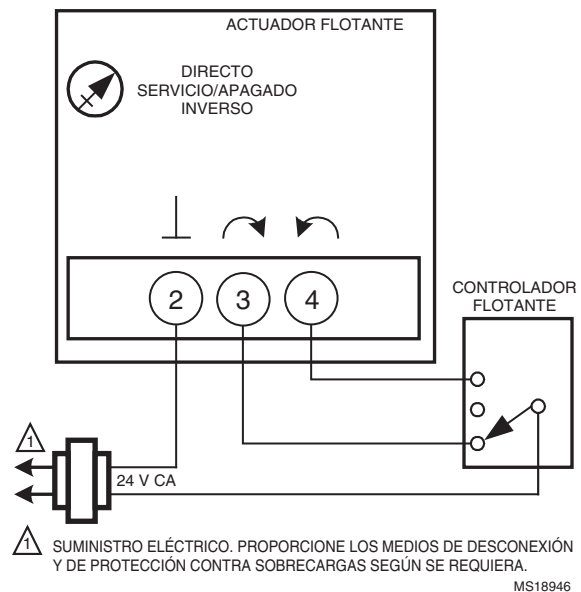


Fig. 7. MN6105 con control flotante.

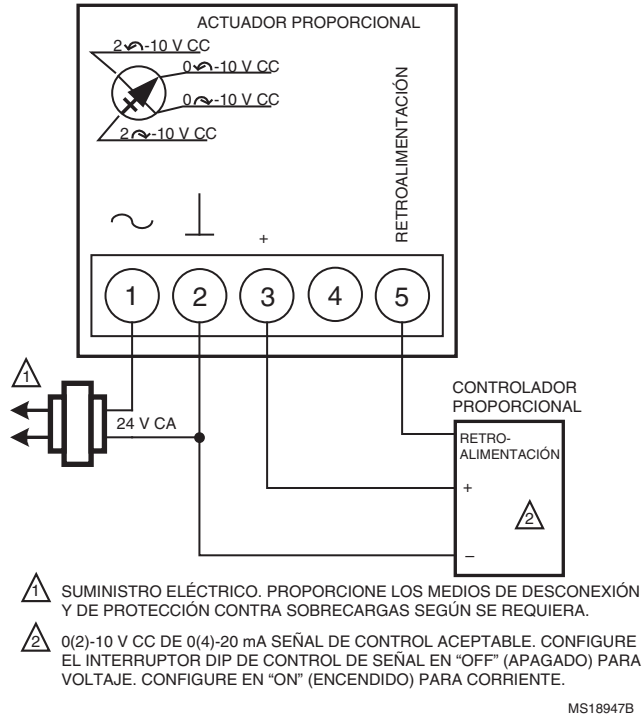


Fig. 8. MN7505 con control de 0(2)-10 V CC.

INTERRUPTORES TERMINALES (CLASE II ÚNICAMENTE)

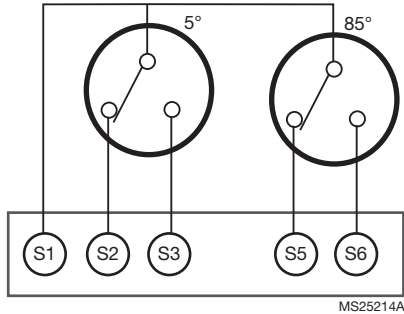


Fig. 9. Cableado para los modelos MN6105 y MN7505 con interruptores auxiliar/fin.

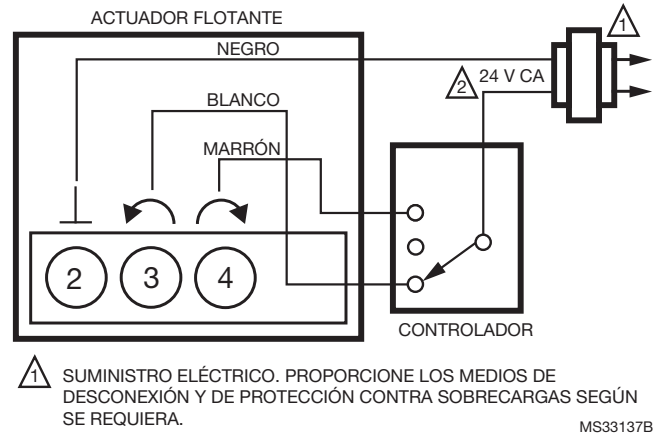


Fig. 10. MVN613 con control flotante.

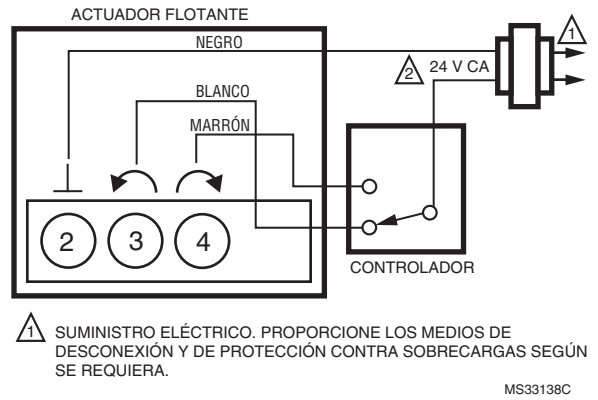


Fig. 11. MVN613 o MVN643 con control SPDT de dos posiciones.

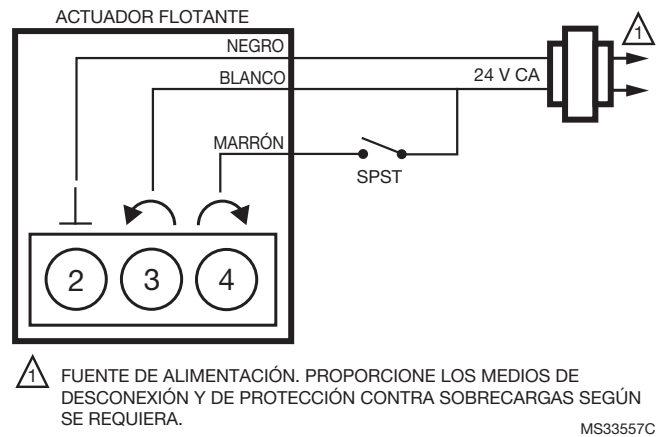
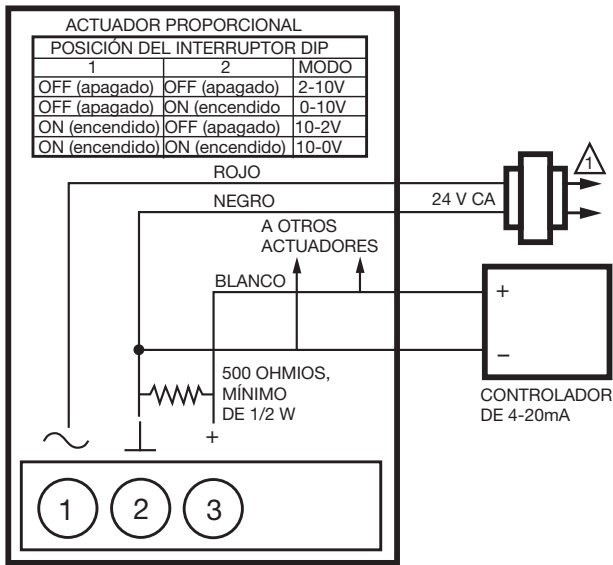


Fig. 12. MVN643 con control SPST de dos posiciones.

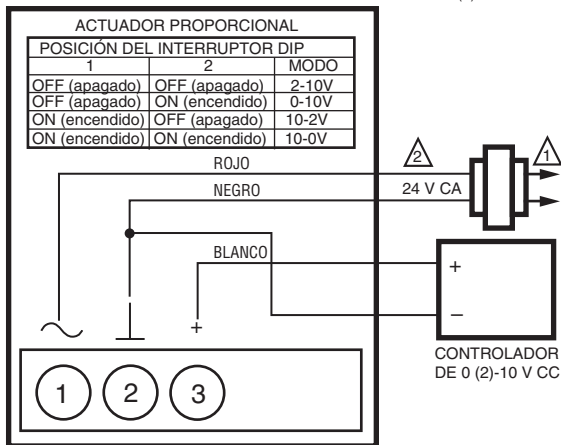
PROPORCIONAL/DE MODULACIÓN: SALIDA DEL CONTROLADOR DE 4-20 mA CON RESISTENCIA DE LA SERIE 500Ω



⚠️ SUMINISTRO ELÉCTRICO. PROPORCIONE LOS MEDIOS DE DESCONEXIÓN Y DE PROTECCIÓN CONTRA SOBRECARGAS SEGÚN SE REQUIERA. MS33141B

Fig. 13. MVN713 con control de 4-20 mA.

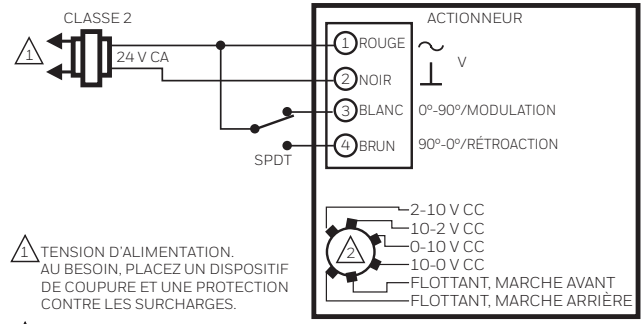
PROPORCIONAL/DE MODULACIÓN: SALIDA DEL CONTROLADOR DE 0(2)...10 V CC O 10...0(2) V CC



⚠️ SUMINISTRO ELÉCTRICO. PROPORCIONE LOS MEDIOS DE DESCONEXIÓN Y DE PROTECCIÓN CONTRA SOBRECARGAS SEGÚN SE REQUIERA.

⚠️ SUMINISTRO ACEPTABLE: 24 V CC. MS33140

Fig. 14. MVN713 con control de 0(2)-10 V CC.

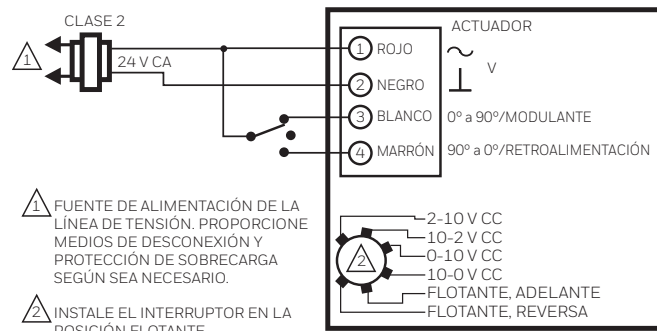


⚠️ TENSION D'ALIMENTATION. AU BESOIN, PLACEZ UN DISPOSITIF DE COUPURE ET UNE PROTECTION CONTRE LES SURCHARGES.

⚠️ RÉGLEZ LE COMMUTEUR AU MODE « FLOTTANT ».

MF37304

Fig. 15. MS7505 con control SPDT de dos posiciones.

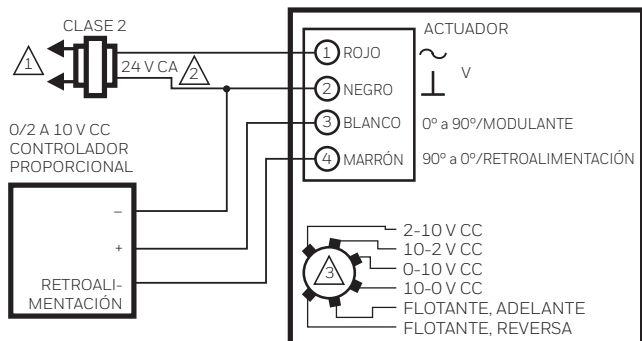


⚠️ FUENTE DE ALIMENTACIÓN DE LA LÍNEA DE TENSION. PROPORCIONE MEDIOS DE DESCONEXIÓN Y PROTECCIÓN DE SOBRECARGA SEGÚN SEA NECESARIO.

⚠️ INSTALE EL INTERRUPTOR EN LA POSICIÓN FLOTANTE.

MS37319

Fig. 16. MS7505 con control flotante.



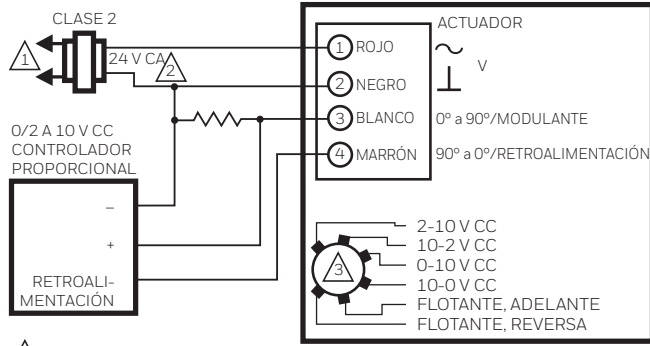
⚠️ FUENTE DE ALIMENTACIÓN DE LA LÍNEA DE TENSION. PROPORCIONE MEDIOS DE DESCONEXIÓN Y PROTECCIÓN DE SOBRECARGA SEGÚN SEA NECESARIO.

⚠️ SUMINISTRO DE 24 V CC ACEPTABLE.

⚠️ COLOQUE EL INTERRUPTOR EN MODULANTE SI ESTÁ DISPONIBLE.

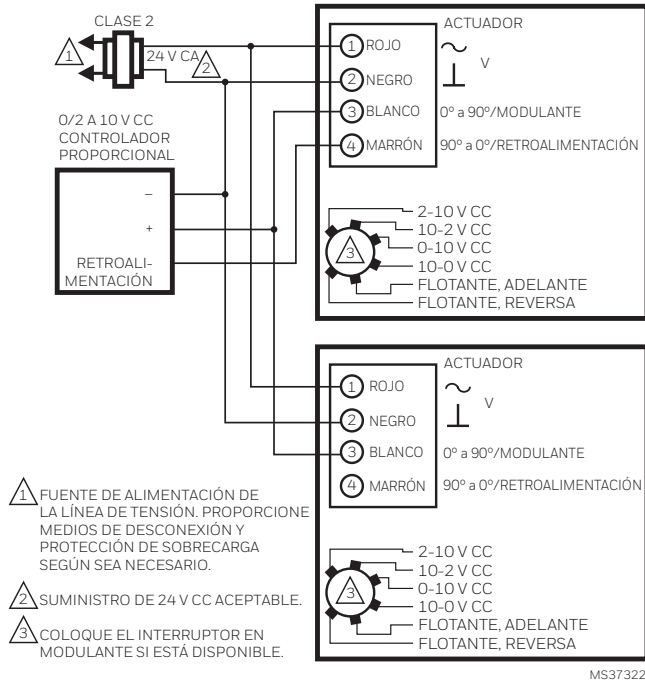
MS37320

Fig. 17. MS7103 con control de 2-10 V CC (se muestra MS7503, ignore el interruptor de selección).



- 1 FUENTE DE ALIMENTACIÓN DE LA LÍNEA DE TENSIÓN. PROPORCIONE MEDIOS DE DESCONEXIÓN Y PROTECCIÓN DE SOBRECARGA SEGÚN SEA NECESARIO.
- 2 SUMINISTRO DE 24 V CC ACEPTABLE.
- 3 COLOQUE EL INTERRUPTOR EN MODULANTE SI ESTÁ DISPONIBLE. MS37321

Fig. 18. MS7103 con control de 4-20 mA (se muestra MS7503, ignore el interruptor de selección).



- 1 FUENTE DE ALIMENTACIÓN DE LA LÍNEA DE TENSIÓN. PROPORCIONE MEDIOS DE DESCONEXIÓN Y PROTECCIÓN DE SOBRECARGA SEGÚN SEA NECESARIO.
- 2 SUMINISTRO DE 24 V CC ACEPTABLE.
- 3 COLOQUE EL INTERRUPTOR EN MODULANTE SI ESTÁ DISPONIBLE. MS37322

Fig. 19. MS7103 con control de 2-10 V CC que usa dos actuadores (se muestra MS7503, ignore el interruptor de selección).

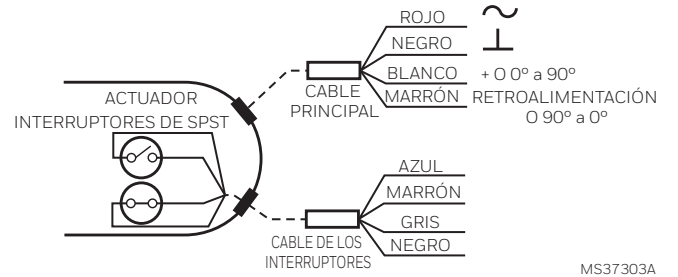
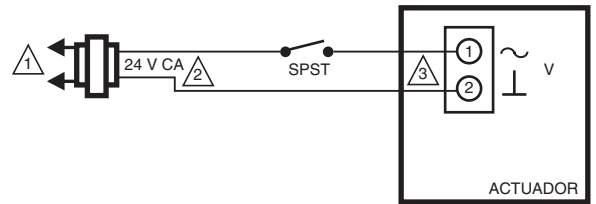
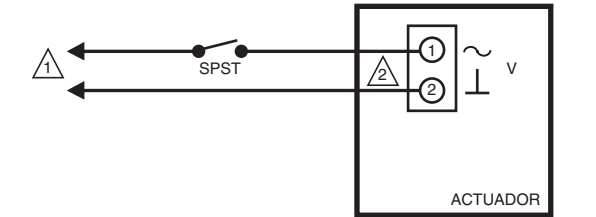


Fig. 20. Cableado para los interruptores auxiliares de MS7103 y MS3103. Gris/negro = normalmente abierta. Cerrada en un rango de 80 grados a completamente abierta. Azul/marrón = normalmente cerrada. Abierta en un rango de 10 grados a completamente abierta.

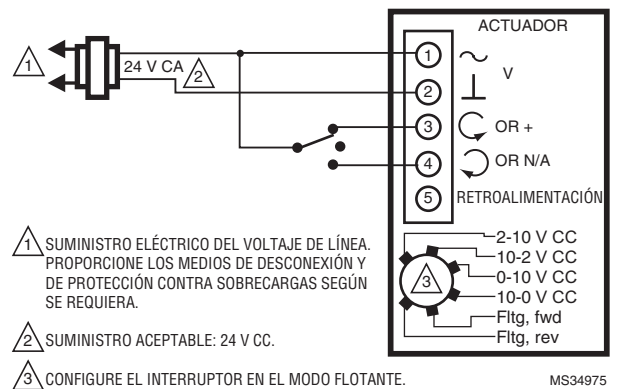


- 1 SUMINISTRO ELÉCTRICO DEL VOLTAJE DE LÍNEA. PROPORCIONE LOS MEDIOS DE DESCONEXIÓN Y DE PROTECCIÓN CONTRA SOBRECARGAS SEGÚN SE REQUIERA.
- 2 SUMINISTRO ACEPTABLE: 24 V CC. MS34973



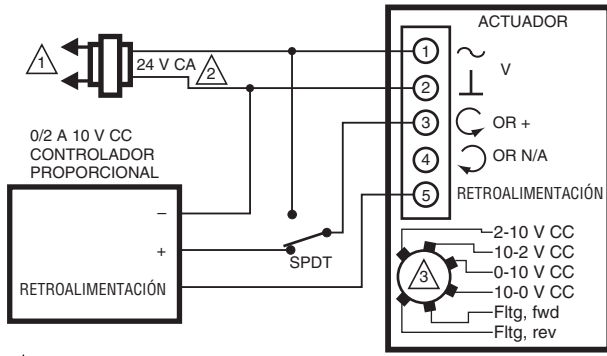
- 1 SUMINISTRO ELÉCTRICO DEL VOLTAJE DE LÍNEA. PROPORCIONE LOS MEDIOS DE DESCONEXIÓN Y DE PROTECCIÓN CONTRA SOBRECARGAS SEGÚN SE REQUIERA. MS34974

Fig. 21. MS8105 con control SPDT de dos posiciones.



- 1 SUMINISTRO ELÉCTRICO DEL VOLTAJE DE LÍNEA. PROPORCIONE LOS MEDIOS DE DESCONEXIÓN Y DE PROTECCIÓN CONTRA SOBRECARGAS SEGÚN SE REQUIERA.
- 2 SUMINISTRO ACEPTABLE: 24 V CC.
- 3 CONFIGURE EL INTERRUPTOR EN EL MODO FLOTANTE. MS34975

Fig. 22. MS7505 con control flotante.



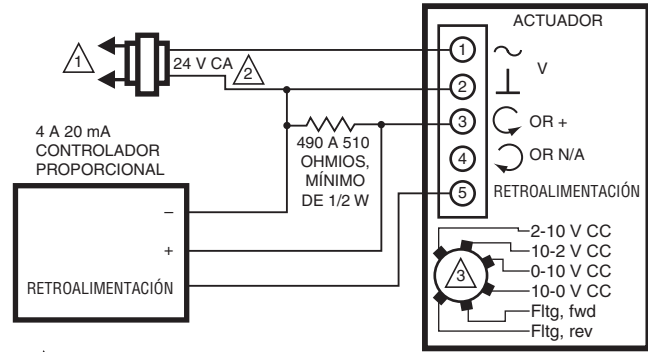
1 SUMINISTRO ELÉCTRICO DEL VOLTAJE DE LÍNEA. PROPORCIONE LOS MEDIOS DE DESCONEXIÓN Y DE PROTECCIÓN CONTRA SOBRECARGAS SEGÚN SE REQUIERA.

2 SUMINISTRO ACEPTABLE: 24 V CC.

3 CONFIGURE EL INTERRUPTOR EN EL MODO DE MODULACIÓN.

MS19576

Fig. 23. MS7505 con control de sobrecomando para la posición completamente abierta.



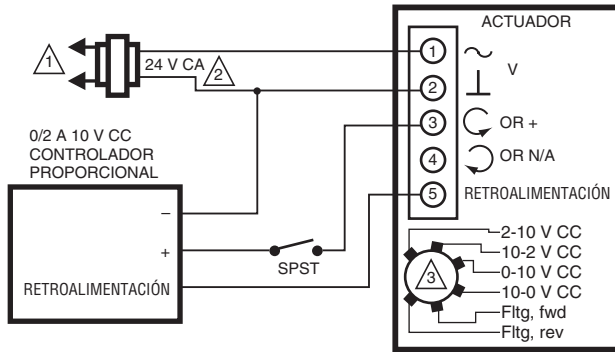
1 SUMINISTRO ELÉCTRICO DEL VOLTAJE DE LÍNEA. PROPORCIONE LOS MEDIOS DE DESCONEXIÓN Y DE PROTECCIÓN CONTRA SOBRECARGAS SEGÚN SE REQUIERA.

2 SUMINISTRO ACEPTABLE: 24 V CC.

3 CONFIGURE EL INTERRUPTOR EN EL MODO DE MODULACIÓN.

MS34977

Fig. 26. MS7505 con controladores de 4-20 mA.



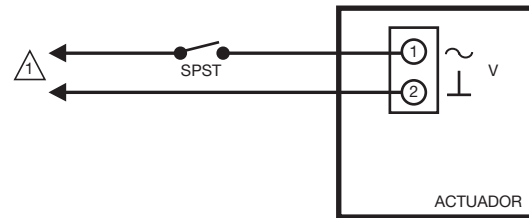
1 SUMINISTRO ELÉCTRICO DEL VOLTAJE DE LÍNEA. PROPORCIONE LOS MEDIOS DE DESCONEXIÓN Y DE PROTECCIÓN CONTRA SOBRECARGAS SEGÚN SE REQUIERA.

2 SUMINISTRO ACEPTABLE: 24 V CC.

3 CONFIGURE EL INTERRUPTOR EN EL MODO DE MODULACIÓN.

MS19577

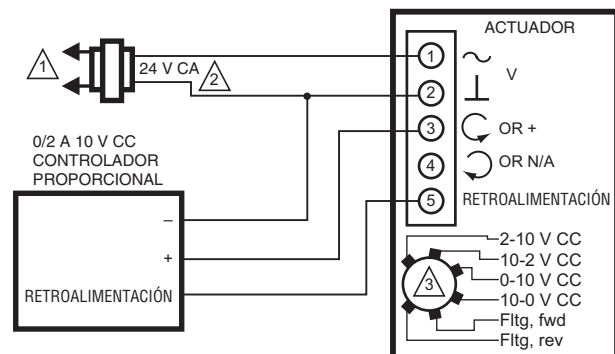
Fig. 24. MS7505 con control de sobrecomando para la posición completamente cerrada .



1 SUMINISTRO ELÉCTRICO DEL VOLTAJE DE LÍNEA. PROPORCIONE LOS MEDIOS DE DESCONEXIÓN Y DE PROTECCIÓN CONTRA SOBRECARGAS SEGÚN SE REQUIERA.

MS29122

Fig. 27. MS4105 con control SPDT de dos posiciones de 120 V CA.



1 SUMINISTRO ELÉCTRICO DEL VOLTAJE DE LÍNEA. PROPORCIONE LOS MEDIOS DE DESCONEXIÓN Y DE PROTECCIÓN CONTRA SOBRECARGAS SEGÚN SE REQUIERA.

2 SUMINISTRO ACEPTABLE: 24 V CC.

3 CONFIGURE EL INTERRUPTOR EN EL MODO DE MODULACIÓN.

MS34976

Fig. 25. MS7505 con controladores de 0(2)-10 V CC.

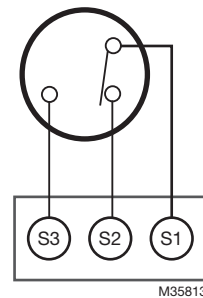


Fig. 28. Cableado para el modelo con interruptores aux./terminales.

FUNCIONAMIENTO Y VERIFICACIÓN

Una vez que se hayan completado las instalaciones eléctrica y mecánica:

1. Realice un ciclo del actuador para verificar que la dirección de rotación sea adecuada para la secuencia de control.
2. Si la dirección de rotación es incorrecta:
 - a. Para actuadores con muelle de recuperación habilitados para Sylk y de dos posiciones: vuelva a colocar el actuador sobre el soporte.
 - b. Para los actuadores de control flotante: invierta los dos cables de la señal de control (en sentido horario/antihorario).
 - c. Para actuadores de control por muelle de recuperación de modulación:
 - (1) Los actuadores MS7505 vuelven a posicionar el interruptor de selección de la señal de control; actuadores MS7103 solamente de 2-10 V CC (no es posible la reversión), o
 - (2) Para cambiar la dirección del muelle de recuperación: retire, voltee y reemplace el actuador en el soporte.
 - d. Para los actuadores de modulación sin muelle de recuperación, vuelva a posicionar el interruptor de selección de operación de reversión/directa.
3. Si el esquema de control requiere un funcionamiento a prueba de fallas, asegúrese de que al interrumpir el suministro eléctrico, la posición de falla coincida con la secuencia de control.
4. Si la posición a prueba de fallas es incorrecta, quite y reinstale el actuador en la orientación opuesta de la siguiente manera:
 - a. Afloje el perno de acoplamiento del eje con una llave de 10 mm.
 - b. Afloje todos los demás pernos de montaje que conectan el actuador al soporte de montaje y déjelos a un lado.
 - c. Quite el actuador del eje de la válvula.
 - d. Desplace el acoplador del actuador al lado opuesto del actuador, tal como se muestra en la Fig. 31.
 - (1) Quite el sujetador de retención del acoplador del eje y déjelo a un lado para usarlo más adelante.
 - (2) Quite el acoplador del eje que se encuentra en un lado del actuador.
 - (3) Reemplace el acoplador del eje en el lado opuesto del actuador, y alinéelo según la etiqueta de desplazamiento.
 - (4) Reubique el sujetador de retención en el acoplador del eje usando la ranura del acoplador.
 - e. Reconecte el actuador al soporte de montaje de la válvula y vuelva a colocar los tornillos que retiró anteriormente (paso b).
 - f. Apriete el perno de acoplamiento del eje con una llave de 10 mm.

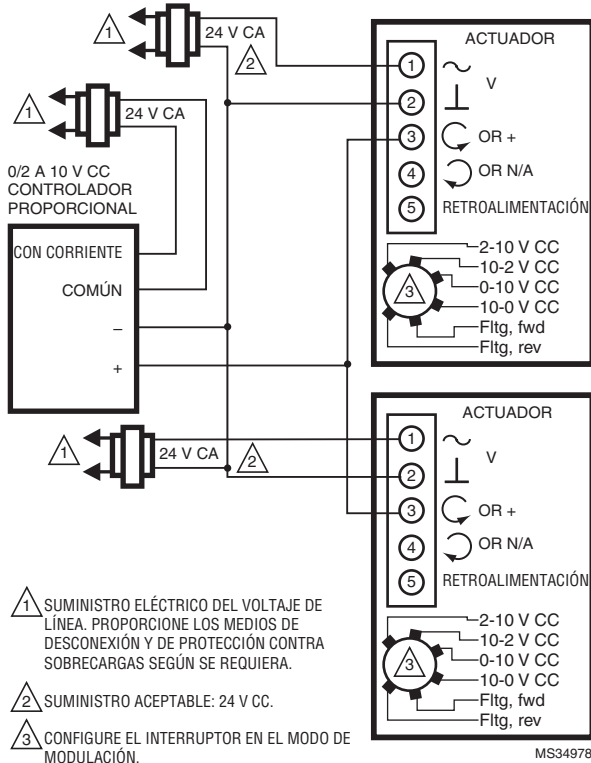


Fig. 29. MS7505 con controlador de 0(2)-10 V CC que pone en funcionamiento varios actuadores.

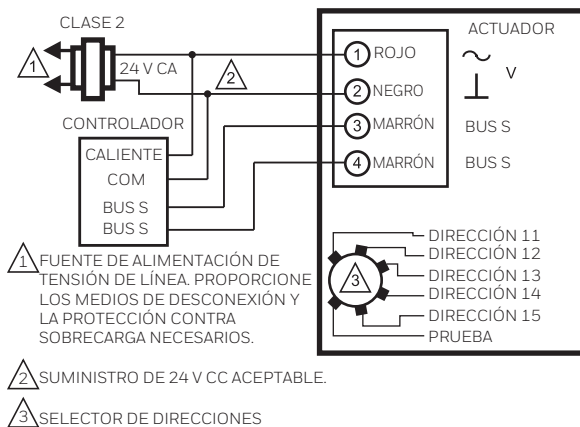


Fig. 30. MS3103 con control Sylk Bus.

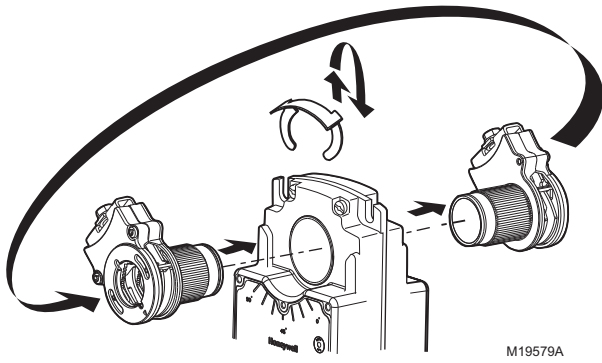


Fig. 31. Colocación del acoplador del eje al actuador en el lado opuesto.

Servicio técnico y reparación

El vástago de la válvula se puede reemplazar en línea, si es necesario. Consulte la Fig. 32.

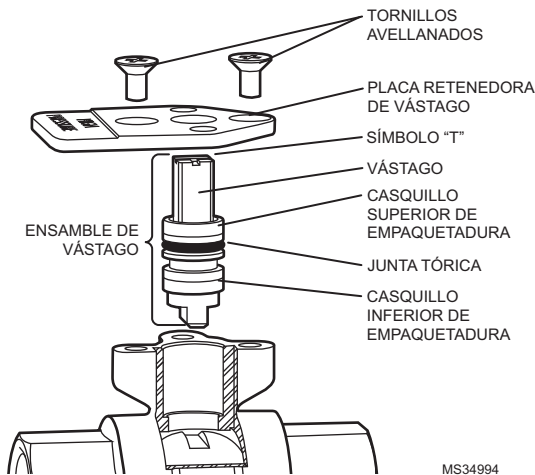


Fig. 32. Reemplazo del vástago de la válvula en línea.

Reemplazo del vástago de la válvula

⚠ WARNING

Si se raspa el interior del cuello de la válvula, puede causar una fuga al volver a ensamblar.

1. Cierre las válvulas de aislamiento en ambos lados de suministro y retorno de la válvula de control Honeywell. (Si no hay válvulas de aislamiento, cierre la bomba de circulación). El cuerpo de la válvula debe estar despresurizado.
2. Libere el exceso de presión de la parte aislada abriendo una ventilación de aire o una válvula de drenaje.
3. Extraiga el actuador. Asegúrese de que la válvula esté cerrada. El símbolo T en el vástago debe estar orientado como se muestra en el dibujo de la derecha de la Fig. 33 a continuación.
4. Extraiga los 2 tornillos que fijan la placa del adaptador y deséchelos.
5. Retire el vástago asegurándose de extraer la manga de la empaquetadura inferior y deséchelo.
6. Cubra el vástago nuevo con la grasa de protección que se suministra.
7. Inserte el vástago nuevo. Asegúrese de alinear la llave en la parte inferior del vástago con la ranura en la bola y de que el símbolo T del vástago nuevo esté alineado exactamente como el anterior (como se muestra en el dibujo de la derecha en la Fig. 33 más abajo).
8. Vuelva a colocar la placa del adaptador.
9. Ajuste los dos tornillos nuevos que se suministran a 16.5 lb-in (1.8 Nm) (+-10 %) para conectar la placa del adaptador al cuerpo de la válvula.
10. Abra las válvulas de aislamiento.
11. Una vez que finalice las instalaciones mecánica y eléctrica, encienda el ciclo del actuador para verificar su operación y que la dirección de la rotación coincida con la señal de control. Si el actuador es un modelo a prueba de fallas, asegúrese de que la válvula esté en la posición correcta cuando no se aplica energía.

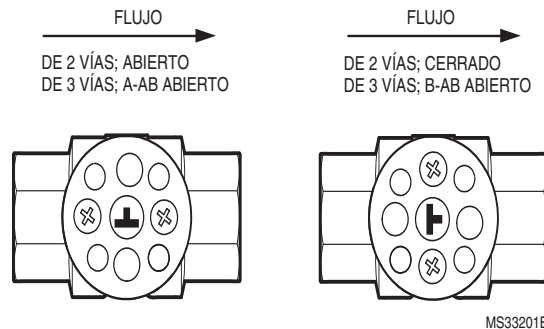


Fig. 33.

Cuando la válvula está en la posición a la izquierda (A a AB abierto), el actuador ha girado el vástago en sentido antihorario.

Cuando la válvula está en la posición a la derecha, el actuador la ha girado en sentido horario.

(Para las válvulas tridireccionales, la dirección de flujo en la imagen es para una aplicación de mezcla).

Puede encontrar los ensamblajes correctos para el reemplazo del vástago en el catálogo Tradeline.

Con la utilización de la presente documentación, usted acepta que Honeywell no tendrá responsabilidad alguna por los daños que pudieren surgir del uso o la modificación que usted haga de la documentación. Usted exime a Honeywell, sus afiliadas y subsidiarias de toda responsabilidad, costos o daños, incluyendo las tarifas de abogados, que pudieren surgir o resultar de cualquier modificación que usted realice a esta documentación.

Honeywell Building Technologies

En los EE. UU.:

715 Peachtree Street NE

Atlanta, GA 30308

customer.honeywell.com

® Marca Registrada en los Estados Unidos
© 2019 Honeywell International Inc. todos
62-2025EFS-06 M.S. Rev. 12-19
Impreso en Estados Unidos

Honeywell