

Copeland™ M-Line

Air-cooled and water-cooled condensing units

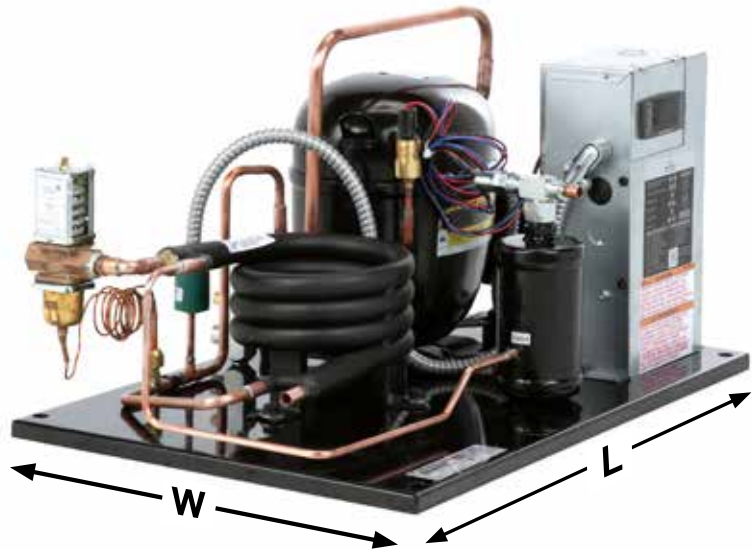
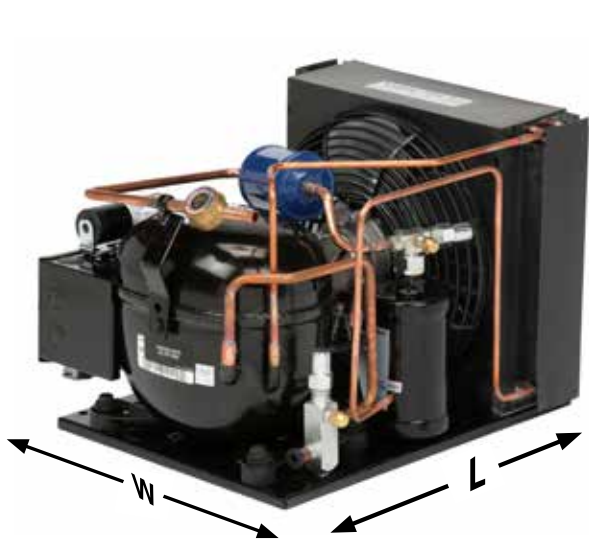
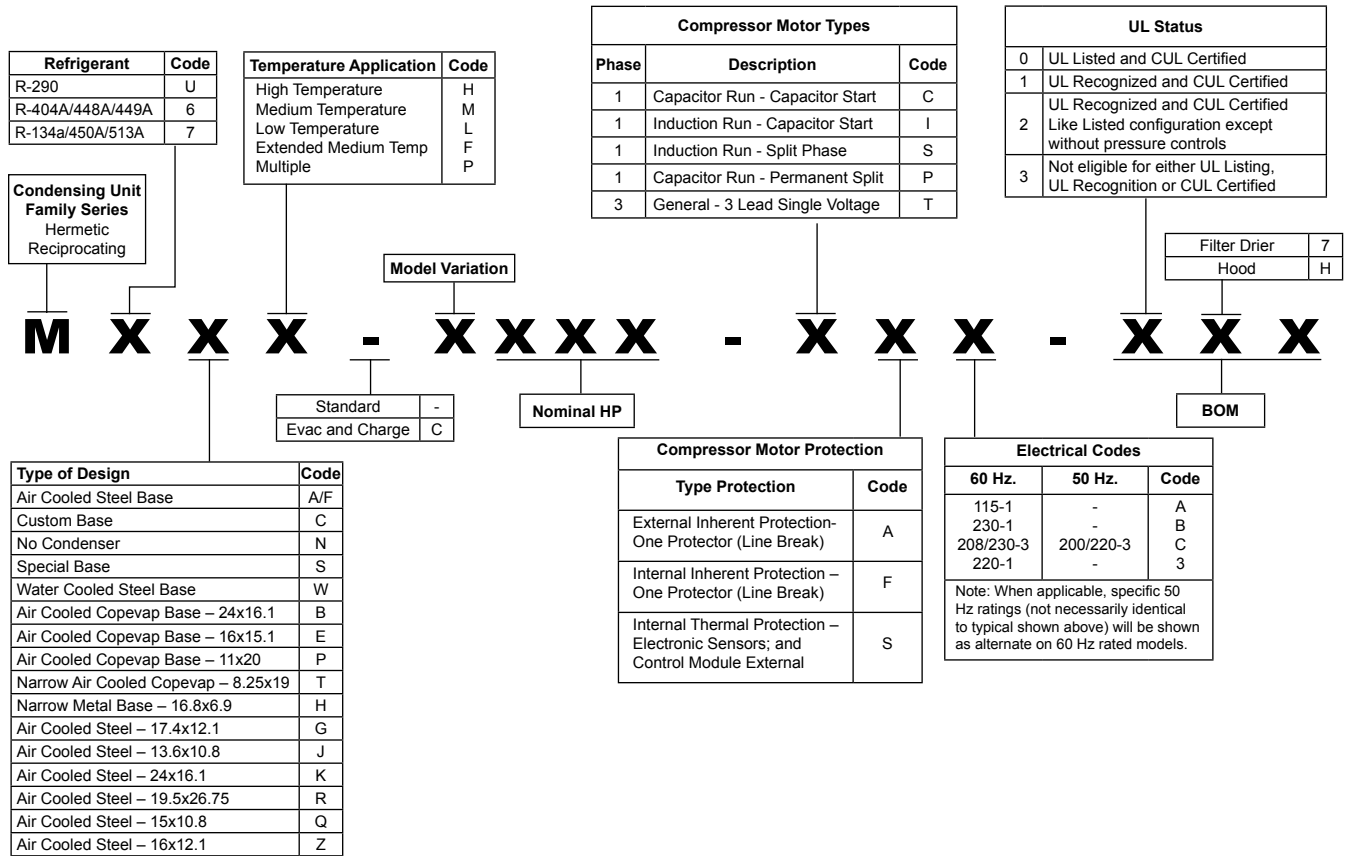


Product Information

Horsepower: 1/6 – 1 1/2
Refrigerants: R-134a, R-290, R-404A ,
R-448A, R-449A, R-450A, R-513A



Nomenclature • M-Line Units



Bill of Materials Matrix

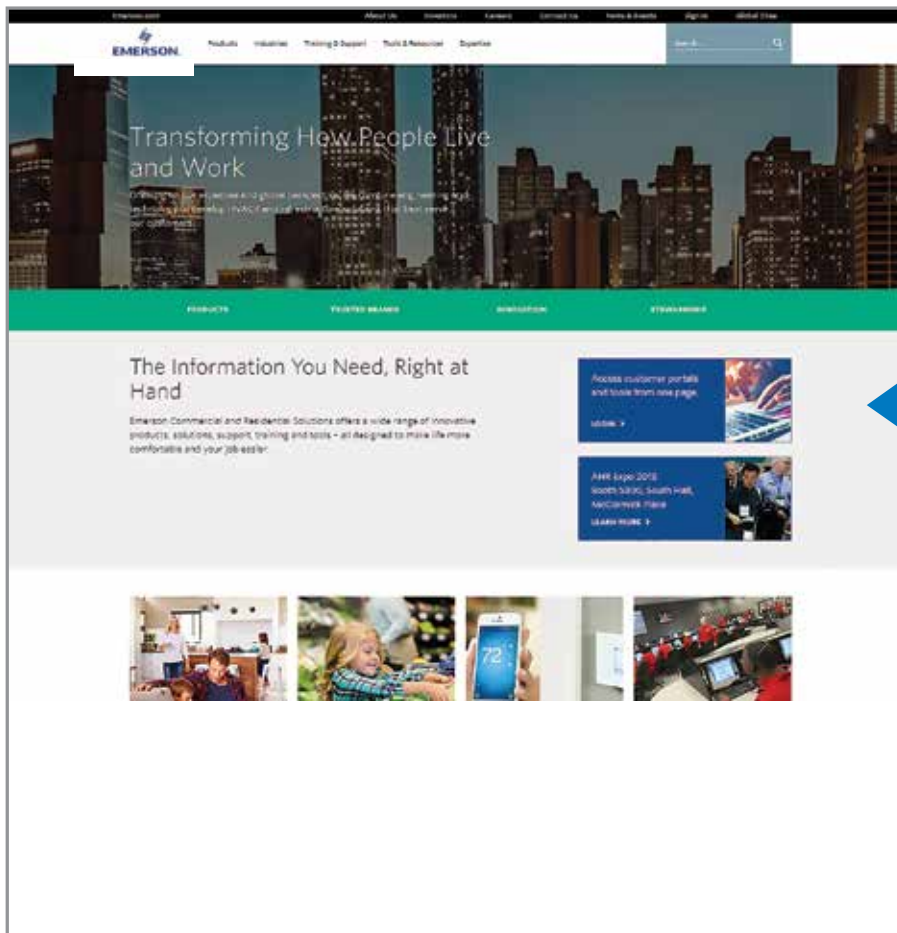
Features	Steel Base Standard BOMs				Condensate Base Standard BOMs						R-290 Units
	Air Cooled		Water Cooled	Dual Fan	E Base		T Base		B/P Base		
	177	179	020	072	103	111	108	118	177	179	173
Receiver W/ Valve	X		X	X	X			X	X		
Suction Valve	X	X	X	X	X	X			X	X	
Liquid Base Valve		X			X				X		
Fan Guard	X	X		X			X	X	X	X	X
End Covers				X			X	X			X
Conduit			X	X							
Power Cord	X	X		X	X	X	X	X	X	X	X
Pressure Control/EUC Adjustable Low, Fixed High			X	X							
Filter Drier	X	X		X					X	X	X
Moisture Indicator	X			X					X		
Water Valve			X								
UL Listed			X	X							
UL Recognized	X	X			X	X	X	X	X	X	X

Optional BOMs											
	020	028*	212	072	078*	272					
Receiver	X	X	X	X	X	X					
Suction Valve	X	X	X	X	X	X					
Fan Guard	X	X	X	X	X	X					
End Covers	X	X	X	X	X	X					
Power Cord											
Filter Drier				X	X	X					
Moisture Indicator				X	X	X					
Pressure Control/EUC	X			X							
Conduit	X	X	X	X	X	X					
UL Listed	X	X		X	X						
UL Recognized			X			X					

* Units with a compressor RLA under 6A do not require pressure controls for UL listing. xx8 will identify units under 6A that are listed, but do not have pressure controls.

Copeland™ air-cooled and water-cooled condensing units

Features	Benefits
<p>Copeland™ Hermetic Compressor and Heavy Duty Unit Bearing Fan Motor</p>	<p>Reliability</p> <p>High Energy Efficiency</p> <p>Low Sound & Vibration</p>
<p>Modular Components</p>	<p>Replacement Serviceability</p>
<p>Compact Design</p>	<p>Application Flexibility</p>
<p>All Models Rated Up To 110°F Ambient</p>	



Climate.Emerson.com

Register for more product information

For more information, visit Emerson.com/OPI and login to the Customer Portal to view Online Product Information

Physical and Electrical Data

Copeland air-cooled condensing units

Model	Compressor Electrical	Length	Width	Height	Refrigerant Connections		Receiver Capacity (Lbs @ 90% Volume)						MCA	Max Fuse	Ship Weight
					Liquid	Suction	134a	404A	407C	448A	449A	450A			
M6GL-H070-CAA	RFT22C1E-CAA	18.86	14.34	11.79	3/8	1/2		1.3		1.4	1.4		11.7	15	0
M6GL-H070-CAV	RFT22C1E-CAV	18.86	14.34	11.79	3/8	1/2		1.3		1.4	1.4		7.5	15	0
M6GL-H079-CAA	RFT26C1E-CAA	18.86	14.34	11.79	3/8	1/2		1.3		1.4	1.4		15.1	20	0
M6GL-H079-CAV	RFT26C1E-CAV	18.86	14.34	11.79	3/8	1/2		1.3		1.4	1.4		9	15	0
M6GP-H064-CAA	RST45C1E-CAA	18.86	14.34	11.79	3/8	1/2		1.3	1.4	1.4	1.4		14.8	20	0
M6GP-H064-CAV	RST45C1E-CAV	18.86	14.34	11.79	3/8	1/2		1.3	1.4	1.4	1.4		7.4	15	0
M6GP-H074-CAA	RST55C1E-CAA	18.86	14.34	11.79	3/8	1/2		1.3	1.4	1.4	1.4		20.5	30	0
M6GP-H074-CAV	RST55C1E-CAV	18.86	14.34	11.79	3/8	1/2		1.3	1.4	1.4	1.4		9.5	15	0
M6GP-H090-CAA	RST64C1E-CAA	18.82	14.34	12.29	3/8	1/2		1.3	1.4	1.4	1.4		12.3	20	0
M6GP-H090-CAV	RST64C1E-CAV	18.82	14.34	12.29	3/8	1/2		1.3	1.4	1.4	1.4		20	30	0
M6GP-H090-CFA	RST64C1E-CFA	18.82	14.34	12.29	3/8	1/2		1.3	1.4	1.4	1.4		20	30	0
M6JL-0021-IAA	AFE08C4E-IAA	14.1	11.45	11.37	1/4	5/16		1.3		1.4	1.4		5.5	15	0
M6JL-0026-IAA	AFE11C4E-IAA	14.1	11.45	11.37	1/4	5/16		1.3		1.4	1.4		5.9	15	0
M6JL-0039-IAA	AFE17C4E-IAA	14.1	11.45	11.37	1/4	5/16		1.3		1.4	1.4		10.4	15	0
M6JL-0039-IAV	AFE17C4E-IAV	14.1	11.45	11.37	1/4	5/16		1.3		1.4	1.4		5.6	15	0
M6JL-H023-IAA	AFE08C4E-IAA	14.11	11.45	11.37	1/4	3/8		1.3		1.4	1.4		5.5	15	0
M6JL-H030-IAA	AFE11C4E-IAA	14.11	11.45	11.37	1/4	3/8		1.3		1.4	1.4		5.9	15	0
M6JL-H038-IAA	AFE13C4E-IAA	14.39	11.57	11.37	1/4	3/8		1.3		1.4	1.4		7.7	15	0
M6JL-H041-IAA	AFE14C5E-IAA	14.39	11.57	11.37	1/4	3/8		1.3		1.4	1.4		8.2	15	0
M6JL-H041-IAV	AFE14C5E-IAV	14.39	11.57	11.37	1/4	3/8		1.3		1.4	1.4		4.3	15	0
M6JL-H048-IAA	AFE17C4E-IAA	14.39	11.57	11.37	1/4	3/8		1.3		1.4	1.4		10.4	15	0
M6JL-H048-IAV	AFE17C4E-IAV	14.39	11.57	11.37	1/4	3/8		1.3		1.4	1.4		5.6	15	0
M6JL-H052-IAA	AFE20C5E-IAA	14.39	11.45	11.37	1/4	3/8		1.3		1.4	1.4		8.5	15	0
M6JL-H052-IAV	AFE20C5E-IAV	14.39	11.45	11.37	1/4	3/8		1.3		1.4	1.4		5.9	15	0
M6JM-0017-IAA	ASE12C4E-IAA	14.1	11.45	11.37	1/4	5/16		1.3	1.4	1.4	1.4		5.4	15	0
M6JM-H020-IAA	ASE12C4E-IAA	14.11	11.45	11.37	1/4	3/8		1.3	1.4	1.4	1.4		5.4	15	0
M6JM-H023-IAA	ASE14C4E-IAA	14.11	11.45	11.37	1/4	3/8		1.3		1.4	1.4		6.7	15	0
M6JM-H028-IAA	ASE20C4E-IAA	14.11	11.45	11.37	1/4	3/8		1.3	1.4	1.4	1.4		8.2	15	0
M6JM-H028-IAV	ASE20C4E-IAV	14.11	11.45	11.37	1/4	3/8		1.3		1.4	1.4		4.4	15	0
M6JM-H030-IAA	ASE24C5E-IAA	14.39	11.57	11.37	1/4	3/8		1.3		1.4	1.4		8.4	15	0
M6JM-H035-IAA	ASE28C5E-IAA	14.39	11.57	11.37	1/4	3/8		1.3		1.4	1.4		9.7	15	0
M6JM-H035-IAV	ASE28C5E-IAV	14.39	11.57	11.37	1/4	3/8		1.3		1.4	1.4		5.6	15	0
M6JM-H043-IAA	ASE39C5E-IAA	14.39	11.45	11.37	1/4	3/8		1.3		1.4	1.4		13.2	20	0
M6KL-0123-CFA	RFT42C1E-PFA	24	16.39	13.08	3/8	1/2		2.8		3	3		21.4	30	0
M6KL-0123-CFV	RFT42C1E-PFV	24	16.39	13.08	3/8	3/8		2.8		3	3		11.2	15	0
M6KP-0064-CAA	RST45C1E-CAA	24	16.39	13.08	1/4	3/8		2.8	3.1	3	3		15.1	20	0
M6KP-0064-CAV	RST45C1E-CAV	24	16.39	13.08	1/4	3/8		2.8	3.1	3	3		7.5	15	0
M6KP-0075-CAA	RST55C1E-CAA	24	16.41	13.08	3/8	3/8		2.8	3.1	3	3		20.8	30	0
M6KP-0075-CAV	RST55C1E-CAV	24	16.39	13.08	1/4	3/8		2.8	3.1	3	3		9.7	15	0
M6KP-0092-CAV	RST64C1E-CAV	24	16.39	13.08	1/4	3/8		2.8	3.1	3	3		12.4	20	0
M6KP-0092-CFA	RST64C1E-CFA	24	16.39	13.08	3/8	3/8		2.8	3.1	3	3		20.3	30	0
M6KP-0095-CFV	RST70C1E-PFV	24	16.39	13.08	3/8	1/2		2.8	3.1	3	3		10.8	15	0
M6KP-0102-CAV	RST64C1E-CAV	24	18.42	16.16	3/8	1/2		4.9	5.3	5.1	5.1		12.7	20	0
M6KP-0102-CFA	RST64C1E-CFA	24	18.3	16.16	3/8	3/8		4.9	5.3	5.1	5.1		20.7	30	0
M6KP-0106-CFV	RST80C1E-PFV	24	16.39	13.08	3/8	1/2		2.8	3.1	3	3		12.8	20	0
M6KP-0112-CFV	RST70C1E-PFV	24	18.45	16.16	3/8	1/2		4.9	5.3	5.1	5.1		11	15	0
M6KP-0116-CFV	RST97C1E-PFV	24	16.39	13.08	3/8	1/2		2.8	3.1	3	3		13.7	20	0
M6KP-0127-CFV	RST80C1E-PFV	24	18.45	16.16	3/8	1/2		4.9	5.3	5.1	5.1		13	20	0
M6KP-0142-CFV	RST97C1E-PFV	24	18.45	16.16	3/8	1/2		4.9	5.3	5.1	5.1		13.9	20	0
M6ZL-0031-IAA	AFE11C4E-IAA	16.58	12.68	11.73	1/4	5/16		1.3		1.4	1.4		6.1	15	0
M6ZL-0040-IAA	AFE13C4E-IAA	16.58	12.68	11.73	1/4	5/16		1.3		1.4	1.4		7.9	15	0
M6ZL-0042-IAA	AFE14C5E-IAA	16.58	12.68	11.73	1/4	5/16		1.3		1.4	1.4		8.4	15	0
M6ZL-0042-IAV	AFE14C5E-IAV	16.58	12.68	11.73	1/4	5/16		1.3		1.4	1.4		4.4	15	0
M6ZL-0055-IAA	AFE20C5E-IAA	16.58	12.68	11.73	1/4	5/16		1.3		1.4	1.4		8.8	15	0
M6ZL-0055-IAV	AFE20C5E-IAV	16.58	12.68	11.73	1/4	5/16		1.3		1.4	1.4		6	15	0
M6ZL-0063-IAA	RFT22C1E-IAA	16.6	14.18	11.73	1/4	1/2							10.9	15	0
M6ZL-0063-IAV	RFT22C1E-IAV	16.6	14.1	11.73	1/4	1/2							7.1	15	0
M6ZL-0078-IAA	RFT26C1E-IAA	16.6	14.18	11.73	1/4	1/2							14.3	20	0
M6ZL-0078-IAV	RFT26C1E-IAV	16.6	14.1	11.73	1/4	1/2							8.6	15	0
M6ZL-0098-CFV	RST80C1E-PFV	17.31	13.81	12.29	3/8	1/2		1.3	1.4	1.4	1.4		12.2	20	0
M6ZL-H064-CAA	RFT22C1E-CAA	17.36	13.5	11.75	3/8	1/2		1.3		1.4	1.4		10.9	15	0
M6ZL-H064-CAV	RFT22C1E-CAV	17.36	13.45	11.75	3/8	1/2		1.3		1.4	1.4		7.1	15	0
M6ZL-H064-IAA	RFT22C1E-IAA	17.38	13.51	11.71	3/8	1/2		1.3		1.4	1.4		10.9	15	0
M6ZL-H064-IAV	RFT22C1E-IAV	17.45	13.46	11.71	3/8	1/2		1.3		1.4	1.4		7.1	15	0
M6ZL-H066-CAV	AFE23C5E-CAV	16.58	12.79	11.71	1/4	3/8		1.3		1.4	1.4		5.9	15	0
M6ZL-H076-CAV	AFE26C5E-CAV	16.58	12.79	11.71	1/4	3/8		1.3		1.4	1.4		6.5	15	0
M6ZL-H078-CAA	RFT26C1E-CAA	17.36	13.5	11.75	3/8	1/2		1.3		1.4	1.4		14.3	20	0
M6ZL-H078-CAV	RFT26C1E-CAV	17.36	13.45	11.75	3/8	1/2		1.3		1.4	1.4		8.6	15	0
M6ZL-H078-IAA	RFT26C1E-IAA	17.38	13.51	11.71	3/8	1/2		1.3		1.4	1.4		14.3	20	0
M6ZL-H078-IAV	RFT26C1E-IAV	17.45	13.46	11.71	3/8	1/2		1.3		1.4	1.4		8.6	15	0
M6ZM-0021-IAA	ASE12C4E-IAA	16.58	12.68	11.73	1/4	5/16		1.3	1.4	1.4	1.4		5.6	15	0

Physical and Electrical Data

Copeland air-cooled condensing units

Model	Compressor Electrical	Length	Width	Height	Refrigerant Connections		Receiver Capacity (Lbs @ 90% Volume)						MCA	Max Fuse	Ship Weight
					Liquid	Suction	134a	404A	407C	448A	449A	450A			
M6ZM-0025-IAA	ASE14C4E-IAA	16.58	12.68	11.73	1/4	5/16		1.3		1.4	1.4		6.9	15	0
M6ZM-0025-IAV	ASE20C4E-IAV	16.58	12.68	11.73	1/4	5/16		1.3		1.4	1.4		4.4	15	0
M6ZM-0031-IAA	ASE20C4E-IAA	16.58	12.68	11.73	1/4	5/16		1.3	1.4	1.4	1.4		8.4	15	0
M6ZM-0032-IAA	ASE24C5E-IAA	16.58	12.68	11.73	1/4	5/16		1.3		1.4	1.4		8.6	15	0
M6ZM-0038-IAA	ASE28C5E-IAA	16.58	12.68	11.73	1/4	5/16		1.3		1.4	1.4		9.9	15	0
M6ZM-0038-IAV	ASE28C5E-IAV	16.58	12.68	11.73	1/4	5/16		1.3		1.4	1.4		5.6	15	0
M6ZM-0048-IAA	ASE39C5E-IAA	16.58	12.68	11.73	1/4	5/16		1.3		1.4	1.4		13.4	20	0
M6ZM-H026-CAA	ASE20C4E-CAA	16.52	12.79	11.71	1/4	3/8		1.3		1.4	1.4		7.8	15	0
M6ZM-H054-CAV	ASE39C5E-CAV	16.58	12.79	11.71	1/4	3/8		1.3		1.4	1.4		7.7	15	0
M6ZP-0053-IAA	RST45C1E-IAA	17.36	13.52	11.75	3/8	1/2		1.3	1.4	1.4	1.4		14	20	0
M6ZP-0053-IAV	RST45C1E-IAV	17.36	13.55	11.75	3/8	1/2		1.3	1.4	1.4	1.4		7.2	15	0
M6ZP-H059-CAA	RST45C1E-CAA	17.36	13.5	11.75	3/8	1/2		1.3	1.4	1.4	1.4		14	20	0
M6ZP-H059-CAV	RST45C1E-CAV	17.36	13.45	11.75	3/8	1/2		1.3	1.4	1.4	1.4		7	15	0
M6ZP-H090-CFA	RST80C1E-PFA	17.31	13.81	12.29	3/8	1/2		1.3		1.4	1.4		15.4	15	0
M6ZP-H090-CFV	RST80C1E-PFV	17.31	13.81	12.29	3/8	1/2		1.3	1.4	1.4	1.4		12.2	20	0
M7GH-H057-CAA	RRT64C1E-CAA	18.86	14.34	11.79	3/8	1/2	1.5				1.5	1.5	15.5	20	0
M7GH-H057-CAV	RRT64C1E-CAV	18.86	14.34	11.79	3/8	1/2	1.5				1.5	1.5	9	15	0
M7GP-H066-CFA	RFT18C1E-PFA	18.82	14.34	12.29	3/8	1/2	1.5				1.5	1.5	13.8	20	0
M7JH-0012-IAA	ARE13C4E-IAA	14.1	11.45	11.37	1/4	5/16	1.5				1.5	1.5	5.9	15	0
M7JH-0014-IAA	ARE17C4E-IAA	14.1	11.45	11.37	1/4	5/16	1.5				1.5	1.5	5.9	15	0
M7JH-0018-IAA	ARE25C4E-IAA	14.1	11.45	11.37	1/4	5/16	1.5				1.5	1.5	6.8	15	0
M7JH-0021-IAA	ARE29C4E-IAA	14.1	11.45	11.37	1/4	5/16	1.5				1.5	1.5	5.5	15	0
M7JH-0026-IAA	ARE35C5E-IAA	14.1	11.45	11.37	1/4	5/16	1.5				1.5	1.5	9.3	15	0
M7JH-H012-IAA	ARE13C4E-IAA	14.11	11.45	11.37	1/4	3/8	1.5				1.5	1.5	5.9	15	0
M7JH-H015-IAA	ARE17C4E-IAA	14.11	11.45	11.37	1/4	3/8	1.5				1.5	1.5	5.9	15	0
M7JH-H020-IAA	ARE25C4E-IAA	14.11	11.45	11.37	1/4	3/8	1.5				1.5	1.5	6.8	15	0
M7JH-H024-IAA	ARE29C4E-IAA	14.11	11.45	11.37	1/4	3/8	1.5				1.5	1.5	5.5	15	0
M7JH-H029-IAA	ARE35C5E-IAA	14.39	11.57	11.37	1/4	3/8	1.5				1.5	1.5	9.3	15	0
M7JH-H034-IAV	ARE42C5E-IAV	14.39	11.57	11.37	1/4	3/8	1.5				1.5	1.5	5.1	15	0
M7JH-H038-IAA	ARE48C5E-IAA	14.39	11.45	11.37	1/4	3/8	1.5				1.5	1.5	10.7	15	0
M7JH-H038-IAV	ARE48C5E-IAV	14.39	11.45	11.37	1/4	3/8	1.5				1.5	1.5	6.8	15	0
M7JH-H042-IAA	ARE54C5E-IAA	14.39	11.45	11.37	1/4	3/8	1.5				1.5	1.5	6.8	15	0
M7JH-H042-IAV	ARE54C5E-IAV	14.39	11.45	11.37	1/4	3/8	1.5				1.5	1.5	6.8	15	0
M7JL-0034-IAA	AFE12C4E-IAA	14.1	11.45	11.37	1/4	5/16	1.5				1.5	1.5	8.8	15	0
M7JM-0019-IAA	AFE05C4E-IAA	14.1	11.45	11.37	1/4	5/16	1.5				1.5	1.5	5.3	15	0
M7JM-H020-IAA	AFE05C4E-IAA	14.11	11.45	11.37	1/4	3/8	1.5				1.5	1.5	5.3	15	0
M7JM-H036-IAA	AFE12C4E-IAA	14.39	11.57	11.37	1/4	3/8	1.5				1.5	1.5	8.8	15	0
M7JP-0020-IAA	AFF07C1E-IAA	14.37	12.11	11.38	1/4	5/16	1.5				1.5	1.5	5.9	15	0
M7JP-0029-IA3	AFF10C1E-IA3	14.37	12.11	11.38	1/4	5/16	1.5				1.5	1.5	5.2	15	0
M7JP-0029-IAA	AFF10C1E-IAA	14.37	12.11	11.38	1/4	5/16	1.5				1.5	1.5	4.9	15	0
M7JP-0031-IA3	AFF13C1E-IA3	14.37	12.11	11.38	1/4	5/16	1.5				1.5	1.5	5.4	15	0
M7JP-0031-IAA	AFF13C1E-IAA	14.37	12.11	11.38	1/4	5/16	1.5				1.5	1.5	11.3	15	0
M7KH-0060-CAA	RRT64C1E-CAA	24	16.39	13.08	1/4	3/8	3.3				3.2	3.2	15.8	20	0
M7KH-0060-CAV	RRT64C1E-CAV	24	16.39	13.08	1/4	3/8	3.3				3.2	3.2	9.2	15	0
M7KH-0064-CAA	RRT73C1E-CAA	24	16.39	13.08	1/4	3/8	3.3				3.2	3.2	15.8	20	0
M7KH-0064-CAV	RRT73C1E-CAV	24	16.39	13.08	1/4	3/8	3.3				3.2	3.2	11.8	15	0
M7KH-0075-CFA	RRT81C1E-PFA	24	16.39	13.08	3/8	1/2	3.3				3.2	3.2	18.3	25	0
M7KH-0075-CFV	RRT81C1E-PFV	24	16.39	13.08	3/8	1/2	3.3				3.2	3.2	9.3	15	0
M7KH-0083-CFA	RRT81C1E-PFA	24	18.45	16.16	3/8	1/2							18.7	25	0
M7KH-0083-CFV	RRT81C1E-PFV	24	18.45	16.16	3/8	1/2							9.5	15	0
M7KH-0086-CFA	RRT10K1E-PFA	24	16.39	13.08	3/8	1/2	3.3				3.2	3.2	19	30	0
M7KH-0086-CFV	RRT10K1E-PFV	24	16.39	13.08	3/8	1/2	3.3				3.2	3.2	11.2	15	0
M7KH-0096-CFA	RRT10K1E-PFA	24	18.45	16.16	3/8	1/2							19.4	30	0
M7KH-0096-CFV	RRT10K1E-PFV	24	18.45	16.16	3/8	1/2							11.4	15	0
M7ZH-0013-IAA	ARE13C4E-IAA	16.58	12.68	11.73	1/4	5/16	1.5				1.5	1.5	6.1	15	0
M7ZH-0016-IAA	ARE17C4E-IAA	16.58	12.68	11.73	1/4	5/16	1.5				1.5	1.5	6.1	15	0
M7ZH-0031-IAA	ARE35C5E-IAA	16.58	12.68	11.73	1/4	5/16	1.5				1.5	1.5	9.5	15	0
M7ZH-0037-IAV	ARE42C5E-IAV	16.58	12.68	11.73	1/4	5/16	1.5				1.5	1.5	5.1	15	0
M7ZH-0041-IAA	ARE48C5E-IAA	16.58	12.68	11.73	1/4	5/16	1.5				1.5	1.5	10.9	15	0
M7ZH-0041-IAV	ARE48C5E-IAV	16.58	12.68	11.73	1/4	5/16	1.5				1.5	1.5	6.9	15	0
M7ZH-0045-IAA	ARE54C5E-IAA	16.58	12.68	11.73	1/4	5/16	1.5				1.5	1.5	12.5	20	0
M7ZH-0045-IAV	ARE54C5E-IAV	16.58	12.68	11.73	1/4	5/16	1.5				1.5	1.5	6.9	15	0
M7ZH-0051-IAA	RRT64C1E-IAA	17.36	13.52	11.75	3/8	1/2	1.5				1.5	1.5	14.6	20	0
M7ZH-0051-IAV	RRT64C1E-IAV	17.36	13.55	11.75	3/8	1/2	1.5				1.5	1.5	8.6	15	0
M7ZH-0062-CFA	RRT81C1E-PFA	17.31	13.82	12.29	3/8	1/2	1.5				1.5	1.5	17.1	25	0
M7ZH-0062-CFV	RRT81C1E-PFV	17.31	13.81	12.29	3/8	1/2	1.5				1.5	1.5	8.7	15	0
M7ZH-0070-CFA	RRT10K1E-PFA	17.31	13.82	12.29	3/8	1/2	1.5				1.5	1.5	17.9	30	0
M7ZH-0070-CFV	RRT10K1E-PFV	17.31	13.81	12.29	3/8	1/2	1.5				1.5	1.5	10.6	15	0
M7ZH-H046-IAA	RRT62C1E-IAA	17.45	13.46	11.71	3/8	1/2	1.5				1.5	1.5	12.8	20	0
M7ZH-H046-IAV	RRT62C1E-IAV	17.45	13.46	11.71	3/8	1/2	1.5				1.5	1.5	6	15	0

Physical and Electrical Data

Copeland air-cooled condensing units

Model	Compressor Electrical	Length	Width	Height	Refrigerant Connections		Receiver Capacity (Lbs @ 90% Volume)						MCA	Max Fuse	Ship Weight	
					Liquid	Suction	134a	404A	407C	448A	449A	450A				513A
M7ZH-H055-CAA	RRT64C1E-CAA	17.36	13.45	11.75	3/8	1/2	1.5					1.5	1.5	14.6	20	0
M7ZH-H055-CAV	RRT64C1E-CAV	17.36	13.45	11.75	3/8	1/2	1.5					1.5	1.5	8.6	15	0
M7ZH-H067-CFA	RRT81C1E-PFA	17.31	13.81	12.29	3/8	1/2	1.5					1.5	1.5	17.1	25	0
M7ZH-H067-CFV	RRT81C1E-PFV	17.31	13.81	12.29	3/8	1/2	1.5					1.5	1.5	8.7	15	0
M7ZH-H076-CFA	RRT10K1E-PFA	17.31	13.81	12.29	3/8	1/2	1.5					1.5	1.5	17.9	30	0
M7ZH-H076-CFV	RRT10K1E-PFV	17.31	13.81	12.29	3/8	1/2	1.5					1.5	1.5	10.6	15	0
M7ZM-0043-IAA	AFE13C5E-IAA	16.58	12.68	11.73	1/4	5/16	1.5					1.5	1.5	8.4	15	0
M7ZP-0021-IAA	AFE05C4E-IAA	16.58	12.68	11.73	1/4	5/16	1.5					1.5	1.5	5.5	15	0
M7ZP-0041-IAA	AFE12C4E-IAA	16.58	12.68	11.73	1/4	5/16	1.5					1.5	1.5	9	15	0
M7ZP-H062-CFA	RFT18C1E-PFA	17.32	13.82	12.29	3/8	1/2	1.5					1.5	1.5	13	20	0
MUGL-H045-IAA	AFE13C4U-IAA	17.68	14.34	11.79	1/4	5/16								9.2	15	
MUGL-H070-IAV	RFT22C1U-IAV	18.5	14.34	11.79	1/4	3/8								7	15	
MUGL-H082-CAA	RFT26C1U-CAA	18.11	14.34	11.79	1/4	3/8								12.7	15	
MUGL-H082-IAV	RFT26C1U-IAV	18.5	14.34	11.79	1/4	3/8								8.1	15	
MUGL-H086-CAA	RFT30C1U-CAA	18.1	14.34	11.79	1/4	3/8								13.7	20	
MUGL-H106-CFA	RFT37C1U-CFA	18.1	14.34	11.79	1/4	3/8								17.3	25	
MUGL-H106-CFV	RFT37C1U-CFV	18.1	14.34	11.79	1/4	3/8								11.3	15	
MUGM-H024-IAA	ASE12C4U-IAA	17.65	14.34	11.79	1/4	5/16								7.3	15	
MUGM-H028-IAA	ASE17C4U-IAA	17.65	14.34	11.79	1/4	5/16								8	15	
MUGM-H038-IAA	ASE24C4U-IAA	17.68	14.34	11.79	1/4	5/16								9.2	15	
MUGM-H049-IAA	ASE32C4U-IAA	17.68	14.34	11.79	1/4	5/16								14.2	20	
MUGP-H054-CAA	RST37C1U-CAA	18.11	14.34	11.79	1/4	3/8								13.3	20	
MUGP-H065-CAA	RST44C1U-CAA	18.1	14.34	11.79	1/4	3/8								13	20	
MUGP-H073-CAA	RST53C1U-CAA	18.1	14.34	11.79	1/4	3/8								13.8	20	
MUGP-H081-CAV	RST58C1U-CAV	18.11	14.34	11.79	1/4	3/8								8.5	15	
MUJL-0028-IAA	AFF10C1U-IAA	14.09	12.42	9.63	1/4	5/16								11.3	15	
MUJL-0036-IAA	AFE13C4U-IAA	13.98	11.67	9.64	1/4	5/16								8.2	15	
MUJL-H029-IAA	AFF10C1U-IAA	14.19	11.77	9.63	1/4	5/16								11.3	15	
MUJL-H040-IAA	AFE13C4U-IAA	14.04	9.62	11.67	1/4	5/16								8.2	15	
MUJM-0019-IAA	ASE12C4U-IAA	13.96	11.66	9.64	1/4	5/16								6.3	15	
MUJM-0022-IAA	ASE17C4U-IAA	13.96	11.66	9.64	1/4	5/16								6.9	15	
MUJM-0028-IAA	ASE24C4U-IAA	13.98	11.67	9.64	1/4	5/16								8.2	15	
MUJM-H022-IAA	ASE12C4U-IAA	14	11.67	9.63	1/4	5/16								6.3	15	
MUJM-H024-IAA	ASE17C4U-IAA	14	11.67	9.63	1/4	5/16								6.9	15	
MUJM-H032-IAA	ASE24C4U-IAA	14.04	9.62	11.67	1/4	5/16								8.2	15	
MUJM-H039-IAA	ASE32C4U-IAA	14.04	9.62	11.67	1/4	5/16								13.2	20	
MUZL-0030-IAA	AFF10C1U-IAA	16.69	13.28	11.7	1/4	5/16								11.5	15	
MUZL-0044-IAA	AFE13C4U-IAA	16.18	13.05	11.7	1/4	5/16								8.4	15	
MUZL-0066-IAV	RFT22C1U-IAV	16.99	13.42	11.7	1/4	3/8								6.6	15	
MUZL-0077-CAA	RFT26C1U-CAA	16.61	13.56	11.7	1/4	3/8								11.9	15	
MUZL-0077-IAV	RFT26C1U-IAV	16.99	13.42	11.7	1/4	3/8								7.7	15	
MUZL-0081-CAA	RFT30C1U-CAA	16.6	13.56	11.7	1/4	3/8								12.9	20	
MUZL-0098-CFA	RFT37C1U-CFA	16.6	13.56	11.7	1/4	3/8								16.5	25	
MUZL-0098-CFV	RFT37C1U-CFV	16.6	13.56	11.7	1/4	3/8								10.9	15	
MUZL-H030-IAA	AFF10C1U-IAA	16.69	13.19	11.7	1/4	5/16								11.5	15	
MUZL-H044-IAA	AFE13C4U-IAA	16.18	13.05	11.7	1/4	5/16								8.4	15	
MUZL-H067-IAV	RFT22C1U-IAV	16.92	13.3	11.7	1/4	3/8								6.6	15	
MUZL-H078-CAA	RFT26C1U-CAA	16.61	13.56	11.7	1/4	3/8								11.9	15	
MUZL-H078-IAV	RFT26C1U-IAV	16.92	13.3	11.7	1/4	3/8								7.7	15	
MUZL-H082-CAA	RFT30C1U-CAA	16.6	13.56	11.7	1/4	3/8								12.9	20	
MUZL-H100-CFA	RFT37C1U-CFA	16.6	13.56	11.7	1/4	3/8								16.5	25	
MUZL-H100-CFV	RFT37C1U-CFV	16.6	13.56	11.7	1/4	3/8								10.9	15	
MUZM-0023-IAA	ASE12C4U-IAA	16.15	13.05	11.7	1/4	5/16								6.5	15	
MUZM-0026-IAA	ASE17C4U-IAA	16.15	13.05	11.7	1/4	5/16								7.1	15	
MUZM-0036-IAA	ASE24C4U-IAA	16.18	13.05	11.7	1/4	5/16								8.4	15	
MUZM-0046-IAA	ASE32C4U-IAA	16.18	13.05	11.7	1/4	5/16								13.4	20	
MUZM-H024-IAA	ASE12C4U-IAA	16.15	13.05	11.7	1/4	5/16								6.5	15	
MUZM-H027-IAA	ASE17C4U-IAA	16.15	13.05	11.7	1/4	5/16								7.1	15	
MUZM-H036-IAA	ASE24C4U-IAA	16.18	13.05	11.7	1/4	5/16								8.4	15	
MUZM-H047-IAA	ASE32C4U-IAA	16.18	13.05	11.7	1/4	5/16								13.4	20	
MUZP-0050-CAA	RST37C1U-CAA	16.61	13.56	11.7	1/4	3/8								12.5	20	
MUZP-0059-CAA	RST44C1U-CAA	16.6	13.56	11.7	1/4	3/8								12.1	20	
MUZP-0066-CAA	RST53C1U-CAA	16.6	13.56	11.7	1/4	3/8								13	20	
MUZP-0072-CAV	RST58C1U-CAV	16.61	13.56	11.7	1/4	3/8								8.1	15	
MUZP-H051-CAA	RST37C1U-CAA	16.61	13.56	11.7	1/4	3/8								12.5	20	
MUZP-H061-CAA	RST44C1U-CAA	16.6	13.56	11.7	1/4	3/8								12.1	20	
MUZP-H068-CAA	RST53C1U-CAA	16.6	13.56	11.7	1/4	3/8								13	20	
MUZP-H074-CAV	RST58C1U-CAV	16.61	13.56	11.7	1/4	3/8								8.1	15	

R-134a LT/MT/EMT

Copeland air-cooled condensing units

Model	Compressor	-25	-20	-15	-10	-5	0	5	10	15	20	25	30
90° Ambient													
M7JM-0019-IAA	AFE05C4E-IAA	441	531	629	734	848	972	1110	1250	1410	1580		
M7JM-H020-IAA	AFE05C4E-IAA	462	558	662	775	897	1030	1170	1330	1500	1680		
M7ZP-0021-IAA	AFE05C4E-IAA	468	567	673	789	913	1050	1200	1360	1530	1720		
M7JP-0020-IAA	AFF07C1E-IAA	524	614	714	825	946	1080	1220	1380	1540	1720	1910	
M7JP-0029-IA3	AFF10C1E-IA3	783	919	1070	1230	1410	1600	1810	2020	2260	2500	2750	
M7JP-0029-IAA	AFF10C1E-IAA	783	919	1070	1230	1410	1600	1810	2020	2260	2500	2750	
M7JP-0031-IA3	AFF13C1E-IA3	898	1050	1220	1400	1600	1810	2040	2280	2530	2790	3070	
M7JP-0031-IAA	AFF13C1E-IAA	898	1050	1220	1400	1600	1810	2040	2280	2530	2790	3070	
M7JL-0034-IAA	AFE12C4E-IAA	936	1080	1250	1440	1640	1860	2080	2310	2540	2760		
M7JM-H036-IAA	AFE12C4E-IAA	995	1160	1350	1560	1800	2050	2320	2610	2910	3210		
M7ZP-0041-IAA	AFE12C4E-IAA	1020	1190	1380	1600	1850	2120	2400	2710	3030	3360		
M7ZM-0043-IAA	AFE13C5E-IAA	1030	1210	1420	1650	1910	2180	2480	2790	3120	3460		
M7ZP-H062-CFA	RFT18C1E-PFA	1460	1820	2180	2550	2930	3310	3710	4110	4510	4930	5350	5780
M7GP-H066-CFA	RFT18C1E-PFA	1520	1890	2270	2650	3060	3470	3890	4330	4780	5240	5710	6200
100° Ambient													
M7JM-0019-IAA	AFE05C4E-IAA	392	474	563	661	768	885	1010	1150	1300	1470		
M7JM-H020-IAA	AFE05C4E-IAA	412	500	597	702	817	944	1080	1230	1400	1580		
M7ZP-0021-IAA	AFE05C4E-IAA	419	510	608	716	835	964	1110	1260	1430	1610		
M7JP-0020-IAA	AFF07C1E-IAA	473	557	651	754	867	990	1120	1270	1420	1590	1760	
M7JP-0029-IA3	AFF10C1E-IA3	700	827	966	1120	1280	1460	1650	1850	2070	2290	2530	
M7JP-0029-IAA	AFF10C1E-IAA	700	827	966	1120	1280	1460	1650	1850	2070	2290	2530	
M7JP-0031-IA3	AFF13C1E-IA3	802	946	1100	1270	1460	1650	1860	2080	2310	2560		
M7JP-0031-IAA	AFF13C1E-IAA	802	946	1100	1270	1460	1650	1860	2080	2310	2560		
M7JL-0034-IAA	AFE12C4E-IAA	863	996	1150	1320	1500	1690	1890	2090	2290			
M7JM-H036-IAA	AFE12C4E-IAA	914	1070	1240	1440	1660	1890	2140	2400	2670	2950		
M7ZP-0041-IAA	AFE12C4E-IAA	934	1090	1270	1480	1710	1960	2230	2510	2810	3120		
M7ZM-0043-IAA	AFE13C5E-IAA	944	1110	1310	1520	1760	2020	2290	2580	2880	3200		
M7ZP-H062-CFA	RFT18C1E-PFA	1230	1580	1930	2280	2650	3020	3390	3770	4160	4560	4960	5370
M7GP-H066-CFA	RFT18C1E-PFA	1300	1660	2020	2400	2780	3180	3580	3990	4410	4850	5290	5750
110° Ambient													
M7JM-0019-IAA	AFE05C4E-IAA	341	414	495	584	683	792	913	1040	1190	1350		
M7JM-H020-IAA	AFE05C4E-IAA	356	436	524	621	730	850	982	1130	1290	1460		
M7ZP-0021-IAA	AFE05C4E-IAA	367	449	539	640	751	874	1010	1160	1320	1500		
M7JP-0020-IAA	AFF07C1E-IAA	424	502	589	684	789	903	1030	1160	1300	1460	1620	
M7JP-0029-IA3	AFF10C1E-IA3		736	864	1000	1150	1320	1490	1680				
M7JP-0029-IAA	AFF10C1E-IAA		736	864	1000	1150	1320	1490	1680				
M7JP-0031-IA3	AFF13C1E-IA3		840	983	1140	1310	1490	1680					
M7JP-0031-IAA	AFF13C1E-IAA		840	983	1140	1310	1490	1680					
M7JL-0034-IAA	AFE12C4E-IAA			1040	1190	1350	1510						
M7JM-H036-IAA	AFE12C4E-IAA		973	1130	1310	1510	1720	1950	2180	2430	2670		
M7ZP-0041-IAA	AFE12C4E-IAA	858	999	1160	1350	1560	1790	2040	2290	2570	2850		
M7ZM-0043-IAA	AFE13C5E-IAA	854	1010	1190	1390	1620	1850	2110	2370	2650	2940		
M7ZP-H062-CFA	RFT18C1E-PFA			1650	2000	2360	2720	3090	3460	3840	4220		
M7GP-H066-CFA	RFT18C1E-PFA			1740	2110	2490	2870	3260	3660	4060	4470	4900	5330

Capacities rated at 40°F return gas, 5°F subcooling

Model	Compressor	-10	-5	0	5	10	15	20	25	30	35	40	45
90° Ambient													
M7JH-0012-IAA	ARE13C4E-IAA			604	695	794	902	1020	1150	1280	1430	1590	1750
M7JH-H012-IAA	ARE13C4E-IAA			630	727	832	948	1070	1210	1360	1520	1700	1890
M7ZH-0013-IAA	ARE13C4E-IAA			639	737	845	963	1090	1230	1390	1560	1740	1930
M7JH-0014-IAA	ARE17C4E-IAA			748	855	970	1100	1230	1380	1530	1700	1870	2060
M7JH-H015-IAA	ARE17C4E-IAA			781	895	1020	1150	1300	1460	1630	1820	2010	2230
M7ZH-0016-IAA	ARE17C4E-IAA			792	908	1040	1170	1320	1490	1670	1860	2060	2280
M7JH-0018-IAA	ARE25C4E-IAA			1020	1160	1310	1470	1640	1820	2020	2230	2450	2690
M7JH-H020-IAA	ARE25C4E-IAA			1070	1230	1390	1570	1760	1970	2190	2430	2680	2960
M7JH-0021-IAA	ARE29C4E-IAA			1230	1370	1520	1700	1890	2090	2300	2520	2740	2970
M7JH-H024-IAA	ARE29C4E-IAA			1300	1450	1630	1830	2050	2290	2540	2810	3090	3390
M7JH-0026-IAA	ARE35C5E-IAA			1350	1530	1730	1940	2170	2410	2660	2920	3190	3480
M7JH-H029-IAA	ARE35C5E-IAA			1450	1640	1860	2100	2360	2640	2930	3240	3570	3920
M7ZH-0031-IAA	ARE35C5E-IAA			1480	1680	1910	2160	2430	2720	3030	3360	3710	4080
M7JH-H038-IAA	ARE48C5E-IAA			1930	2200	2490	2800	3120	3450	3800	4170	4540	4930
M7JH-H038-IAV	ARE48C5E-IAV			1930	2200	2490	2800	3120	3450	3800	4170	4540	4930
M7ZH-0041-IAA	ARE48C5E-IAA			1980	2260	2570	2890	3240	3600	3980	4380	4800	5230
M7ZH-0041-IAV	ARE48C5E-IAV			1980	2260	2570	2890	3240	3600	3980	4380	4800	5230
M7JH-H042-IAA	ARE54C5E-IAA			2140	2450	2770	3110	3460	3830	4210	4590	4980	5380
M7JH-H042-IAV	ARE54C5E-IAV			2140	2450	2770	3110	3460	3830	4210	4590	4980	5380
M7ZH-0045-IAA	ARE54C5E-IAA			2210	2530	2870	3230	3610	4010	4420	4860	5300	5760
M7ZH-0045-IAV	ARE54C5E-IAV			2210	2530	2870	3230	3610	4010	4420	4860	5300	5760
M7ZH-H046-IAA	RRT62C1E-IAA		2100	2380	2690	3030	3400	3790	4210	4640	5090	5550	6020
M7ZH-H046-IAV	RRT62C1E-IAV		2100	2380	2690	3030	3400	3790	4210	4640	5090	5550	6020
M7ZH-0051-IAV	RRT64C1E-IAV		2380	2690	3040	3410	3810	4240	4680	5150	5630	6130	6640
M7ZH-0051-IAA	RRT64C1E-IAA		2460	2790	3150	3540	3960	4400	4860	5320	5790	6250	6710
M7ZH-H055-CAA	RRT64C1E-CAA		2480	2810	3180	3570	4000	4450	4930	5430	5950	6490	7050
M7ZH-H055-CAV	RRT64C1E-CAV		2480	2810	3180	3570	4000	4450	4930	5430	5950	6490	7050
M7GH-H057-CAA	RRT64C1E-CAA	2190	2490	2830	3210	3620	4070	4550	5060	5600			
M7GH-H057-CAV	RRT64C1E-CAV	2190	2490	2830	3210	3620	4070	4550	5060	5600			
M7KH-0060-CAA	RRT64C1E-CAA	2300	2620	2970	3360	3790	4260	4760	5290	5860	6440	7060	7690
M7KH-0060-CAV	RRT64C1E-CAV	2300	2620	2970	3360	3790	4260	4760	5290	5860	6440	7060	7690
M7ZH-0062-CFA	RRT81C1E-PFA			3150	3570	4080	4640	5240	5870	6520	7180	7840	
M7ZH-0062-CFV	RRT81C1E-PFV			3150	3570	4080	4640	5240	5870	6520	7180	7840	
M7KH-0064-CAA	RRT73C1E-CAA	2420	2850	3290	3760	4250	4770	5310	5890	6490	7130	7800	8490
M7KH-0064-CAV	RRT73C1E-CAV	2420	2850	3290	3760	4250	4770	5310	5890	6490	7130	7800	8490
M7ZH-H067-CFA	RRT81C1E-PFA		2890	3240	3690	4210	4800	5420	6070	6730	7400	8070	8720
M7ZH-H067-CFV	RRT81C1E-PFV		2890	3240	3690	4210	4800	5420	6070	6730	7400	8070	8720
M7KH-0075-CFA	RRT81C1E-PFA		3060	3480	4000	4600	5270	5980	6720	7470	8230	8980	9700
M7KH-0075-CFV	RRT81C1E-PFV		3060	3480	4000	4600	5270	5980	6720	7470	8230	8980	9700
M7ZH-0070-CFA	RRT10K1E-PFA				4550	5080	5600	6130	6650	7180	7700		
M7ZH-0070-CFV	RRT10K1E-PFV				4550	5080	5600	6130	6650	7180	7700		
M7ZH-H076-CFA	RRT10K1E-PFA			4130	4680	5220	5770	6310	6860	7410	7960		
M7ZH-H076-CFV	RRT10K1E-PFV			4130	4680	5220	5770	6310	6860	7410	7960		
M7KH-0083-CFA	RRT81C1E-PFA	2850	3190	3680	4290	5000	5780	6600	7440	8300			
M7KH-0083-CFV	RRT81C1E-PFV	2850	3190	3680	4290	5000	5780	6600	7440	8300			
M7KH-0086-CFA	RRT10K1E-PFA		3840	4430	5040	5660	6290	6940	7610	8300	9010	9750	10500
M7KH-0086-CFV	RRT10K1E-PFV		3840	4430	5040	5660	6290	6940	7610	8300	9010	9750	10500
M7KH-0096-CFA	RRT10K1E-PFA	3390	4040	4700	5380	6090	6830	7610	8440	9330			
M7KH-0096-CFV	RRT10K1E-PFV	3390	4040	4700	5380	6090	6830	7610	8440	9330			

Capacities rated at 40°F return gas (65°F return gas for capacities in **bold**), 5°F subcooling

Model	Compressor	-10	-5	0	5	10	15	20	25	30	35	40	45
100° Ambient													
M7JH-0012-IAA	ARE13C4E-IAA			553	638	730	830	938	1050	1180	1320	1460	1620
M7JH-H012-IAA	ARE13C4E-IAA			578	669	767	876	994	1120	1260	1410	1580	1750
M7ZH-0013-IAA	ARE13C4E-IAA			587	680	781	892	1010	1150	1290	1450	1620	1800
M7JH-0014-IAA	ARE17C4E-IAA			690	789	897	1010	1140	1270	1420	1570	1740	1910
M7JH-H015-IAA	ARE17C4E-IAA			723	830	946	1070	1210	1360	1520	1700	1880	2080
M7ZH-0016-IAA	ARE17C4E-IAA			735	844	963	1090	1240	1390	1560	1740	1930	2140
M7JH-0018-IAA	ARE25C4E-IAA			942	1070	1200	1350	1510	1680	1860	2050	2260	2470
M7JH-H020-IAA	ARE25C4E-IAA			996	1140	1290	1450	1640	1830	2040	2270	2510	2770
M7JH-0021-IAA	ARE29C4E-IAA			1140	1270	1410	1560	1730	1910	2100	2300	2500	
M7JH-H024-IAA	ARE29C4E-IAA			1210	1350	1510	1700	1900	2120	2350	2600	2860	3130
M7JH-0026-IAA	ARE35C5E-IAA				1420	1600	1800	2010	2240	2470			
M7JH-H029-IAA	ARE35C5E-IAA			1340	1530	1740	1960	2200	2470	2740	3040	3350	3680
M7ZH-0031-IAA	ARE35C5E-IAA			1370	1570	1780	2020	2270	2550	2840	3160	3490	3840
M7JH-H038-IAA	ARE48C5E-IAA			1810	2070	2330	2620	2910	3220	3540	3870	4210	
M7JH-H038-IAV	ARE48C5E-IAV			1810	2070	2330	2620	2910	3220	3540	3870	4210	
M7ZH-0041-IAA	ARE48C5E-IAA			1850	2120	2410	2710	3030	3360	3720	4090	4480	4880
M7ZH-0041-IAV	ARE48C5E-IAV			1850	2120	2410	2710	3030	3360	3720	4090	4480	4880
M7JH-H042-IAA	ARE54C5E-IAA			1990	2280	2590	2900	3230	3570	3910	4260		
M7JH-H042-IAV	ARE54C5E-IAV			1990	2280	2590	2900	3230	3570	3910	4260		
M7ZH-0045-IAA	ARE54C5E-IAA			2050	2360	2690	3030	3380	3750	4140	4530	4950	5370
M7ZH-0045-IAV	ARE54C5E-IAV			2050	2360	2690	3030	3380	3750	4140	4530	4950	5370
M7ZH-H046-IAA	RRT62C1E-IAA			2190	2470	2790	3130	3490	3880	4290	4700	5130	5570
M7ZH-H046-IAV	RRT62C1E-IAV			2190	2470	2790	3130	3490	3880	4290	4700	5130	5570
M7ZH-0051-IAV	RRT64C1E-IAV				2790	3130	3510	3900	4320	4760	5210	5680	
M7ZH-0051-IAA	RRT64C1E-IAA				2890	3260	3650	4050	4460	4880	5290	5700	
M7ZH-H055-CAA	RRT64C1E-CAA			2540	2890	3260	3670	4110	4570	5050	5550	6070	6610
M7ZH-H055-CAV	RRT64C1E-CAV			2540	2890	3260	3670	4110	4570	5050	5550	6070	6610
M7GH-H057-CAA	RRT64C1E-CAA			2530	2890	3280	3700	4160	4640	5140			
M7GH-H057-CAV	RRT64C1E-CAV			2530	2890	3280	3700	4160	4640	5140			
M7KH-0060-CAA	RRT64C1E-CAA			2680	3050	3460	3900	4380	4890	5420	5980	6560	7170
M7KH-0060-CAV	RRT64C1E-CAV			2680	3050	3460	3900	4380	4890	5420	5980	6560	7170
M7ZH-0062-CFA	RRT81C1E-PFA				3170	3620	4140	4710	5320	5950			
M7ZH-0062-CFV	RRT81C1E-PFV				3170	3620	4140	4710	5320	5950			
M7ZH-H067-CFA	RRT81C1E-PFA				3260	3740	4280	4870	5500	6150	6800		
M7ZH-H067-CFV	RRT81C1E-PFV				3260	3740	4280	4870	5500	6150	6800		
M7KH-0064-CAA	RRT73C1E-CAA			2970	3410	3890	4380	4900	5440	6010	6610	7230	7880
M7KH-0064-CAV	RRT73C1E-CAV			2970	3410	3890	4380	4900	5440	6010	6610	7230	7880
M7KH-0075-CFA	RRT81C1E-PFA			3080	3530	4090	4710	5390	6110	6850	7590	8340	9060
M7KH-0075-CFV	RRT81C1E-PFV			3080	3530	4090	4710	5390	6110	6850	7590	8340	9060
M7ZH-0070-CFA	RRT10K1E-PFA						5130	5610					
M7ZH-0070-CFV	RRT10K1E-PFV						5130	5610					
M7ZH-H076-CFA	RRT10K1E-PFA					4780	5280	5790	6290				
M7ZH-H076-CFV	RRT10K1E-PFV					4780	5280	5790	6290				
M7KH-0083-CFA	RRT81C1E-PFA		2800	3210	3760	4410	5150	5950	6780	7630			
M7KH-0083-CFV	RRT81C1E-PFV		2800	3210	3760	4410	5150	5950	6780	7630			
M7KH-0086-CFA	RRT10K1E-PFA				4620	5200	5790	6390	7010	7640	8300	8970	9670
M7KH-0086-CFV	RRT10K1E-PFV				4620	5200	5790	6390	7010	7640	8300	8970	9670
M7KH-0096-CFA	RRT10K1E-PFA		3640	4270	4920	5590	6280	7010	7770	8580			
M7KH-0096-CFV	RRT10K1E-PFV		3640	4270	4920	5590	6280	7010	7770	8580			

Capacities rated at 40°F return gas (65°F return gas for capacities in **bold**), 5°F subcooling

R-134a High Temp

Copeland air-cooled condensing units

Model	Compressor	-10	-5	0	5	10	15	20	25	30	35	40	45
110° Ambient													
M7JH-0012-IAA	ARE13C4E-IAA				581	664	755	853	959	1070	1200	1330	1470
M7JH-H012-IAA	ARE13C4E-IAA			524	608	699	798	907	1030	1160	1300	1450	1610
M7ZH-0013-IAA	ARE13C4E-IAA			535	621	715	817	930	1050	1190	1330	1490	1660
M7JH-0014-IAA	ARE17C4E-IAA					821	928	1040	1170	1300	1450	1600	1760
M7JH-H015-IAA	ARE17C4E-IAA			660	760	868	987	1120	1260	1410	1570	1750	1930
M7ZH-0016-IAA	ARE17C4E-IAA			674	777	888	1010	1140	1290	1440	1610	1800	1990
M7JH-0018-IAA	ARE25C4E-IAA						1220	1360	1510	1680	1850		
M7JH-H020-IAA	ARE25C4E-IAA			911	1040	1180	1330	1500	1680	1880	2090	2320	2570
M7JH-0021-IAA	ARE29C4E-IAA								1740				
M7JH-H024-IAA	ARE29C4E-IAA				1250	1400	1560	1740	1940	2160	2380	2620	2860
M7JH-H029-IAA	ARE35C5E-IAA					1610	1820	2050	2300	2560	2840	3130	
M7ZH-0031-IAA	ARE35C5E-IAA			1270	1450	1650	1880	2120	2380	2650	2950	3260	3600
M7JH-H038-IAA	ARE48C5E-IAA							2700	2980				
M7JH-H038-IAV	ARE48C5E-IAV							2700	2980				
M7ZH-0041-IAA	ARE48C5E-IAA					2250	2530	2820	3120	3450	3780	4140	
M7ZH-0041-IAV	ARE48C5E-IAV					2250	2530	2820	3120	3450	3780	4140	
M7ZH-0045-IAA	ARE54C5E-IAA						2810	3140	3480	3830			
M7ZH-0045-IAV	ARE54C5E-IAV						2810	3140	3480	3830			
M7ZH-H046-IAA	RRT62C1E-IAA					2560	2870	3210	3570	3940	4330		
M7ZH-H046-IAV	RRT62C1E-IAV					2560	2870	3210	3570	3940	4330		
M7ZH-0051-IAV	RRT64C1E-IAV					2860	3210	3580	3970				
M7ZH-0051-IAA	RRT64C1E-IAA					2950	3300	3670	4040				
M7GH-H057-CAA	RRT64C1E-CAA				2590	2970	3370	3800	4260	4740			
M7GH-H057-CAV	RRT64C1E-CAV				2590	2970	3370	3800	4260	4740			
M7ZH-H055-CAA	RRT64C1E-CAA					3000	3400	3820	4260	4730			
M7ZH-H055-CAV	RRT64C1E-CAV					3000	3400	3820	4260	4730			
M7KH-0060-CAA	RRT64C1E-CAA				2770	3160	3580	4030	4520	5020	5560	6120	6700
M7KH-0060-CAV	RRT64C1E-CAV				2770	3160	3580	4030	4520	5020	5560	6120	6700
M7ZH-0062-CFA	RRT81C1E-PFA						3690	4230					
M7ZH-0062-CFV	RRT81C1E-PFV						3690	4230					
M7ZH-H067-CFA	RRT81C1E-PFA					3310	3810	4360	4960				
M7ZH-H067-CFV	RRT81C1E-PFV					3310	3810	4360	4960				
M7KH-0064-CAA	RRT73C1E-CAA				3110	3550	4010	4490	5000	5530	6080	6660	7260
M7KH-0064-CAV	RRT73C1E-CAV				3110	3550	4010	4490	5000	5530	6080	6660	7260
M7KH-0075-CFA	RRT81C1E-PFA				3110	3600	4170	4810	5500	6210	6950	7680	
M7KH-0075-CFV	RRT81C1E-PFV				3110	3600	4170	4810	5500	6210	6950	7680	
M7KH-0083-CFA	RRT81C1E-PFA			2790	3250	3830	4510	5270	6070	6910			
M7KH-0083-CFV	RRT81C1E-PFV			2790	3250	3830	4510	5270	6070	6910			
M7KH-0086-CFA	RRT10K1E-PFA					4740	5280	5840	6410	6990			
M7KH-0086-CFV	RRT10K1E-PFV					4740	5280	5840	6410	6990			
M7KH-0096-CFA	RRT10K1E-PFA				4450	5070	5720	6390	7080	7820			
M7KH-0096-CFV	RRT10K1E-PFV				4450	5070	5720	6390	7080	7820			

Capacities rated at 40°F return gas (65°F return gas for capacities in **bold**), 5°F subcooling

R-290 Low Temp

Copeland air-cooled condensing units

Model	Compressor	-30	-25	-20	-15	-10	-5	0	5	10	15	20	25
90° Ambient													
MUJL-0028-IAA	AFF10C1U-IAA		912	1020	1150	1280	1430	1590	1750	1930	2120	2310	2520
MUJL-H029-IAA	AFF10C1U-IAA		961	1080	1220	1370	1540	1720	1910	2120	2340	2580	2830
MUZL-0030-IAA	AFF10C1U-IAA		978	1110	1250	1410	1580	1770	1970	2190	2430	2680	2950
MUZL-H030-IAA	AFF10C1U-IAA		987	1120	1260	1420	1600	1790	2000	2230	2470	2730	3000
MUJL-0036-IAA	AFF13C4U-IAA	978	1110	1250	1400	1550	1720	1900					
MUJL-H040-IAA	AFF13C4U-IAA	1040	1180	1340	1510	1690	1880	2090					
MUZL-0044-IAA	AFF13C4U-IAA	1060	1210	1370	1540	1730	1940	2160	2390	2650			
MUZL-H044-IAA	AFF13C4U-IAA	1070	1220	1380	1560	1760	1970	2190	2430	2690			
MUGL-H045-IAA	AFF13C4U-IAA	1090	1240	1410	1590	1790	2010	2250	2500	2780			
MUZL-0066-IAV	RFT22C1U-IAV	1500	1730	1980	2250	2530	2840	3170	3520	3880			
MUZL-H067-IAV	RFT22C1U-IAV	1520	1760	2010	2290	2580	2900	3240	3600	3980			
MUGL-H070-IAV	RFT22C1U-IAV	1560	1810	2080	2370	2690	3030	3400	3800	4220			
MUZL-0077-CAA	RFT26C1U-CAA	1910	2170	2440	2740	3060	3410	3770					
MUZL-0077-IAV	RFT26C1U-IAV	1910	2170	2440	2740	3060	3410	3770	4160	4570			
MUZL-H078-CAA	RFT26C1U-CAA	1950	2200	2490	2800	3130	3490	3870	4270	4690			
MUZL-H078-IAV	RFT26C1U-IAV	1950	2200	2490	2800	3130	3490	3870	4270	4690			
MUZL-0081-CAA	RFT30C1U-CAA	2030	2290	2580	2900	3230	3580	3960					
MUGL-H082-CAA	RFT26C1U-CAA	2000	2280	2580	2910	3270	3660	4070	4520	5000			
MUGL-H082-IAV	RFT26C1U-IAV	2000	2280	2580	2910	3270	3660	4070	4520	5000			
MUZL-H082-CAA	RFT30C1U-CAA	2060	2330	2630	2950	3300	3670	4060	4470	4890			
MUGL-H086-CAA	RFT30C1U-CAA	2120	2410	2730	3070	3450	3850	4290	4750	5250			
MUZL-0098-CFA	RFT37C1U-CFA	2480	2790	3140	3510	3900	4310	4730	5150	5590			
MUZL-0098-CFV	RFT37C1U-CFV	2480	2790	3140	3510	3900	4310	4730	5150	5590			
MUZL-H100-CFA	RFT37C1U-CFA	2530	2850	3210	3600	4000	4430	4870	5310	5770			
MUZL-H100-CFV	RFT37C1U-CFV	2530	2850	3210	3600	4000	4430	4870	5310	5770			
MUGL-H106-CFA	RFT37C1U-CFA	2620	2980	3370	3800	4250	4730	5230	5750	6290			
MUGL-H106-CFV	RFT37C1U-CFV	2620	2980	3370	3800	4250	4730	5230	5750	6290			
100° Ambient													
MUJL-0028-IAA	AFF10C1U-IAA		839	941	1050	1170	1310	1450	1600	1760	1930	2110	2300
MUJL-H029-IAA	AFF10C1U-IAA		886	998	1120	1260	1410	1580	1760	1950	2150	2370	2590
MUZL-0030-IAA	AFF10C1U-IAA		903	1020	1150	1290	1450	1620	1810	2010	2230	2460	2710
MUZL-H030-IAA	AFF10C1U-IAA		911	1030	1160	1310	1470	1650	1840	2050	2270	2510	2760
MUJL-0036-IAA	AFF13C4U-IAA	892	1010	1140	1280	1420	1570	1730					
MUJL-H040-IAA	AFF13C4U-IAA	951	1080	1230	1380	1550	1730	1920					
MUZL-0044-IAA	AFF13C4U-IAA	972	1110	1260	1420	1600	1790	1990	2200	2430			
MUZL-H044-IAA	AFF13C4U-IAA	983	1120	1270	1440	1620	1810	2020	2240	2480			
MUGL-H045-IAA	AFF13C4U-IAA	998	1140	1300	1470	1660	1860	2080	2310	2570			
MUZL-0066-IAV	RFT22C1U-IAV	1360	1570	1800	2040	2300	2580	2880	3200	3540			
MUZL-H067-IAV	RFT22C1U-IAV	1380	1600	1830	2080	2350	2640	2950	3280	3630			
MUGL-H070-IAV	RFT22C1U-IAV	1420	1640	1890	2160	2450	2760	3100	3470	3860			
MUZL-0077-CAA	RFT26C1U-CAA	1740	1970	2220	2500	2790	3100	3440					
MUZL-0077-IAV	RFT26C1U-IAV	1740	1970	2220	2500	2790	3100	3440	3790	4160			
MUZL-H078-CAA	RFT26C1U-CAA	1770	2010	2270	2550	2860	3180	3530	3900	4280			
MUZL-H078-IAV	RFT26C1U-IAV	1770	2010	2270	2550	2860	3180	3530	3900	4280			
MUZL-0081-CAA	RFT30C1U-CAA	1850	2100	2370	2650	2950	3270	3600					
MUGL-H082-CAA	RFT26C1U-CAA	1820	2080	2360	2660	2990	3350	3740	4150	4590			
MUGL-H082-IAV	RFT26C1U-IAV	1820	2080	2360	2660	2990	3350	3740	4150	4590			
MUZL-H082-CAA	RFT30C1U-CAA	1880	2140	2410	2710	3020	3350	3700	4070	4450			
MUGL-H086-CAA	RFT30C1U-CAA	1950	2210	2510	2830	3170	3540	3940	4360	4800			
MUZL-0098-CFA	RFT37C1U-CFA	2260	2540	2850	3190	3540	3920	4300	4690	5080			
MUZL-0098-CFV	RFT37C1U-CFV	2260	2540	2850	3190	3540	3920	4300	4690	5080			
MUZL-H100-CFA	RFT37C1U-CFA	2300	2600	2920	3270	3640	4030	4430	4840	5250			
MUZL-H100-CFV	RFT37C1U-CFV	2300	2600	2920	3270	3640	4030	4430	4840	5250			
MUGL-H106-CFA	RFT37C1U-CFA	2400	2720	3080	3470	3880	4320	4780	5260	5760			
MUGL-H106-CFV	RFT37C1U-CFV	2400	2720	3080	3470	3880	4320	4780	5260	5760			

Capacities rated at 40°F return gas, 5°F subcooling

R-290 Low Temp

Copeland air-cooled condensing units

Model	Compressor	-30	-25	-20	-15	-10	-5	0	5	10	15	20	25
110° Ambient													
MUJL-0028-IAA	AFF10C1U-IAA			853	953	1060	1180	1310	1450	1590	1750		
MUJL-H029-IAA	AFF10C1U-IAA		807	909	1020	1150	1290	1440	1600	1780	1960	2160	2370
MUZL-0030-IAA	AFF10C1U-IAA		828	934	1050	1180	1330	1480	1660	1840	2040	2250	2480
MUZL-H030-IAA	AFF10C1U-IAA		836	942	1060	1200	1340	1500	1680	1870	2070	2290	2520
MUJL-0036-IAA	AFF13C4U-IAA			1030	1160	1280	1420	1560					
MUJL-H040-IAA	AFF13C4U-IAA	860	983	1120	1260	1410	1570	1750					
MUZL-0044-IAA	AFF13C4U-IAA	885	1010	1150	1300	1460	1630	1810	2010	2220			
MUZL-H044-IAA	AFF13C4U-IAA	894	1020	1160	1320	1480	1660	1840	2050	2260			
MUGL-H045-IAA	AFF13C4U-IAA	909	1040	1190	1350	1520	1700	1900	2120	2350			
MUZL-0066-IAV	RFT22C1U-IAV		1410	1620	1840	2070	2330	2600	2890	3200			
MUZL-H067-IAV	RFT22C1U-IAV	1250	1440	1650	1880	2120	2380	2670	2970	3290			
MUGL-H070-IAV	RFT22C1U-IAV	1280	1480	1710	1950	2210	2500	2810	3140	3500			
MUZL-0077-CAA	RFT26C1U-CAA		1770	2000	2240	2510	2790	3090					
MUZL-0077-IAV	RFT26C1U-IAV		1770	2000	2240	2510	2790	3090	3400	3730			
MUZL-H078-CAA	RFT26C1U-CAA		1800	2040	2300	2570	2870	3180	3510	3860			
MUZL-H078-IAV	RFT26C1U-IAV		1800	2040	2300	2570	2870	3180	3510	3860			
MUZL-0081-CAA	RFT30C1U-CAA		1890	2140	2390	2660	2940	3230					
MUGL-H082-CAA	RFT26C1U-CAA	1640	1870	2130	2410	2710	3040	3390	3760	4170			
MUGL-H082-IAV	RFT26C1U-IAV	1640	1870	2130	2410	2710	3040	3390	3760	4170			
MUZL-H082-CAA	RFT30C1U-CAA		1930	2180	2450	2730	3020	3330	3650	3990			
MUGL-H086-CAA	RFT30C1U-CAA	1760	2010	2280	2570	2880	3210	3570	3940	4340			
MUZL-0098-CFA	RFT37C1U-CFA			2560	2870	3190	3520	3870					
MUZL-0098-CFV	RFT37C1U-CFV			2560	2870	3190	3520	3870					
MUZL-H100-CFA	RFT37C1U-CFA		2340	2630	2950	3280	3630	3990					
MUZL-H100-CFV	RFT37C1U-CFV		2340	2630	2950	3280	3630	3990					
MUGL-H106-CFA	RFT37C1U-CFA		2460	2780	3130	3510	3910	4330	4770	5220			
MUGL-H106-CFV	RFT37C1U-CFV		2460	2780	3130	3510	3910	4330	4770	5220			

Capacities rated at 40°F return gas, 5°F subcooling

R-290 Medium Temp

Copeland air-cooled condensing units

Model	Compressor	-10	-5	0	5	10	15	20	25	30
90° Ambient										
MUJM-0019-IAA	ASE12C4U-IAA	861	969	1090	1220	1360	1500	1660	1820	
MUJM-H022-IAA	ASE12C4U-IAA	922	1040	1160	1310	1460	1630	1800	1990	
MUJM-0022-IAA	ASE17C4U-IAA	1040	1150	1270	1400	1550	1710	1870	2040	
MUZM-0023-IAA	ASE12C4U-IAA	943	1060	1190	1340	1500	1670	1860	2050	2260
MUZM-H024-IAA	ASE12C4U-IAA	955	1070	1210	1350	1520	1690	1880	2080	2300
MUGM-H024-IAA	ASE12C4U-IAA	972	1090	1230	1380	1550	1730	1920	2130	2360
MUJM-H024-IAA	ASE17C4U-IAA	1100	1220	1360	1510	1680	1860	2050	2250	
MUZM-0026-IAA	ASE17C4U-IAA	1120	1240	1390	1550	1720	1910	2110	2330	2550
MUZM-H027-IAA	ASE17C4U-IAA	1130	1260	1400	1570	1740	1940	2140	2360	2590
MUGM-H028-IAA	ASE17C4U-IAA	1150	1280	1430	1600	1780	1980	2200	2420	2670
MUJM-0028-IAA	ASE24C4U-IAA	1330	1500	1680	1870	2050	2250	2440	2650	
MUJM-H032-IAA	ASE24C4U-IAA	1430	1630	1830	2050	2270	2510	2750	3010	
MUZM-0036-IAA	ASE24C4U-IAA	1460	1670	1890	2110	2350	2600	2860	3140	3430
MUZM-H036-IAA	ASE24C4U-IAA	1480	1690	1910	2140	2390	2640	2910	3200	3500
MUGM-H038-IAA	ASE24C4U-IAA	1510	1720	1950	2200	2450	2720	3010	3310	3630
MUJM-H039-IAA	ASE32C4U-IAA	1970	2170	2390	2640	2910	3200	3500	3800	
MUZM-0046-IAA	ASE32C4U-IAA	2060	2260	2500	2760	3050	3360	3690	4040	4390
MUZM-H047-IAA	ASE32C4U-IAA	2100	2310	2540	2810	3110	3430	3770	4130	4500
MUGM-H049-IAA	ASE32C4U-IAA	2190	2390	2640	2920	3230	3570	3940	4340	4750
MUZP-0050-CAA	RST37C1U-CAA	2010	2270	2560	2870	3210	3570	3960	4380	
MUZP-H051-CAA	RST37C1U-CAA	2060	2330	2630	2940	3290	3660	4070	4500	4950
MUGP-H054-CAA	RST37C1U-CAA	2180	2460	2760	3090	3460	3860	4300	4780	5300
MUZP-0059-CAA	RST44C1U-CAA	2310	2690	3080	3470	3870	4280	4710	5160	
MUZP-H061-CAA	RST44C1U-CAA	2340	2740	3140	3550	3960	4390	4840	5320	5820
MUGP-H065-CAA	RST44C1U-CAA	2410	2840	3280	3730	4190	4670	5180	5720	6300
MUZP-0066-CAA	RST53C1U-CAA	3020	3250	3550	3920	4340	4790	5270	5750	
MUZP-H068-CAA	RST53C1U-CAA	3110	3340	3650	4020	4450	4920	5420	5930	6430
MUZP-0072-CAV	RST58C1U-CAV	3170	3520	3920	4350	4800	5280	5770	6260	
MUGP-H073-CAA	RST53C1U-CAA	3290	3530	3850	4250	4730	5260	5840	6440	7070
MUZP-H074-CAV	RST58C1U-CAV	3240	3610	4030	4470	4950	5440	5950	6460	6970
MUGP-H081-CAV	RST58C1U-CAV	3400	3810	4270	4770	5310	5870	6450	7030	7620
100° Ambient										
MUJM-0019-IAA	ASE12C4U-IAA	779	881	992	1110	1240	1370	1510	1650	
MUJM-H022-IAA	ASE12C4U-IAA	828	939	1060	1190	1340	1490	1650	1830	
MUJM-0022-IAA	ASE17C4U-IAA	955	1050	1170	1290	1420	1560	1700	1850	
MUZM-0023-IAA	ASE12C4U-IAA	847	961	1090	1220	1370	1540	1710	1890	2080
MUZM-H024-IAA	ASE12C4U-IAA	857	971	1100	1240	1390	1560	1730	1920	2110
MUGM-H024-IAA	ASE12C4U-IAA	870	987	1120	1260	1420	1590	1770	1970	2170
MUJM-H024-IAA	ASE17C4U-IAA	1010	1120	1250	1390	1540	1710	1880	2070	
MUZM-0026-IAA	ASE17C4U-IAA	1030	1150	1280	1430	1590	1760	1950	2140	2350
MUZM-H027-IAA	ASE17C4U-IAA	1040	1160	1300	1440	1610	1790	1980	2180	2390
MUGM-H028-IAA	ASE17C4U-IAA	1060	1180	1320	1470	1640	1830	2030	2240	2470
MUJM-0028-IAA	ASE24C4U-IAA	1210	1370	1530	1700	1870	2040	2220	2400	
MUJM-H032-IAA	ASE24C4U-IAA	1320	1500	1690	1880	2090	2300	2530	2760	
MUZM-0036-IAA	ASE24C4U-IAA	1350	1540	1740	1950	2170	2400	2640	2900	3170
MUZM-H036-IAA	ASE24C4U-IAA	1370	1560	1770	1980	2200	2440	2690	2950	3230
MUGM-H038-IAA	ASE24C4U-IAA	1390	1600	1810	2030	2270	2520	2790	3070	3370
MUJM-H039-IAA	ASE32C4U-IAA	1770	1970	2190	2420	2670	2930	3200	3460	
MUZM-0046-IAA	ASE32C4U-IAA	1850	2060	2290	2540	2810	3100	3400	3700	4020
MUZM-H047-IAA	ASE32C4U-IAA	1890	2100	2330	2590	2870	3160	3480	3800	4130
MUZP-0050-CAA	RST37C1U-CAA	1720	1990	2280	2590	2900	3240	3590	3960	
MUGM-H049-IAA	ASE32C4U-IAA	1960	2170	2420	2690	2990	3310	3650	4010	4390
MUZP-H051-CAA	RST37C1U-CAA	1760	2040	2340	2650	2970	3320	3690	4070	4480
MUGP-H054-CAA	RST37C1U-CAA	1850	2140	2440	2770	3130	3510	3920	4350	4820
MUZP-0059-CAA	RST44C1U-CAA	2110	2460	2810	3160	3520	3890	4290	4700	
MUZP-H061-CAA	RST44C1U-CAA	2150	2510	2870	3230	3610	4000	4410	4840	5300
MUGP-H065-CAA	RST44C1U-CAA	2220	2610	3000	3400	3820	4260	4720	5220	5750
MUZP-0066-CAA	RST53C1U-CAA	2610	2870	3180	3540	3940	4370	4800	5230	
MUZP-H068-CAA	RST53C1U-CAA	2700	2960	3280	3650	4060	4490	4950	5400	5840
MUZP-0072-CAV	RST58C1U-CAV	2880	3190	3540	3930	4350	4790	5240	5700	
MUGP-H073-CAA	RST53C1U-CAA	2900	3160	3490	3880	4330	4820	5340	5880	6430
MUZP-H074-CAV	RST58C1U-CAV	2950	3280	3640	4050	4490	4950	5420	5890	6380
MUGP-H081-CAV	RST58C1U-CAV	3100	3470	3890	4350	4850	5370	5910	6470	7030

Capacities rated at 40°F return gas, 5°F subcooling

R-290 Medium Temp

Copeland air-cooled condensing units

Model	Compressor	-10	-5	0	5	10	15	20	25	30
110° Ambient										
MUJM-0019-IAA	ASE12C4U-IAA	709	803	904	1010	1120	1240	1360	1480	
MUJM-H022-IAA	ASE12C4U-IAA	746	850	963	1090	1220	1360	1500	1660	
MUJM-0022-IAA	ASE17C4U-IAA	881	968	1070	1170	1290	1410	1540	1670	
MUZM-0023-IAA	ASE12C4U-IAA	766	873	990	1120	1250	1400	1560	1720	1890
MUZM-H024-IAA	ASE12C4U-IAA	773	881	1000	1130	1270	1420	1580	1750	1920
MUGM-H024-IAA	ASE12C4U-IAA	785	896	1020	1150	1300	1450	1620	1800	1980
MUJM-H024-IAA	ASE17C4U-IAA	929	1030	1140	1270	1410	1560	1710	1880	
MUZM-0026-IAA	ASE17C4U-IAA	951	1060	1180	1310	1450	1610	1780	1960	2140
MUZM-H027-IAA	ASE17C4U-IAA	960	1070	1190	1320	1470	1630	1810	1990	2180
MUGM-H028-IAA	ASE17C4U-IAA	974	1090	1210	1350	1510	1680	1860	2050	2260
MUJM-0028-IAA	ASE24C4U-IAA	1090	1230	1380	1520	1670				
MUJM-H032-IAA	ASE24C4U-IAA	1190	1360	1530	1710	1900	2100	2300	2510	
MUZM-0036-IAA	ASE24C4U-IAA	1230	1410	1590	1780	1980	2190	2410	2640	2890
MUZM-H036-IAA	ASE24C4U-IAA	1250	1430	1610	1810	2010	2230	2460	2700	2960
MUGM-H038-IAA	ASE24C4U-IAA	1280	1460	1660	1870	2080	2310	2560	2820	3090
MUJM-H039-IAA	ASE32C4U-IAA	1600	1790	1990	2210	2430	2660	2890		
MUZM-0046-IAA	ASE32C4U-IAA	1670	1860	2080	2320	2560	2820	3090	3350	3620
MUZM-H047-IAA	ASE32C4U-IAA	1700	1900	2120	2360	2620	2890	3170	3450	3730
MUZP-0050-CAA	RST37C1U-CAA	1500	1770	2050	2330	2620	2920	3220	3530	
MUZP-H051-CAA	RST37C1U-CAA	1530	1810	2090	2380	2680	2990	3310	3640	3990
MUGM-H049-IAA	ASE32C4U-IAA	1760	1970	2200	2460	2740	3030	3350	3670	4000
MUGP-H054-CAA	RST37C1U-CAA	1590	1880	2180	2490	2820	3160	3530	3910	4320
MUZP-0059-CAA	RST44C1U-CAA	1890	2210	2520	2840	3170	3510	3870	4260	
MUZP-H061-CAA	RST44C1U-CAA	1940	2260	2590	2920	3250	3610	3990	4380	4810
MUGP-H065-CAA	RST44C1U-CAA	2020	2370	2720	3080	3460	3860	4280	4730	5220
MUZP-0066-CAA	RST53C1U-CAA	2160	2440	2770	3140	3530	3930			
MUZP-H068-CAA	RST53C1U-CAA	2250	2540	2870	3240	3640	4060	4470		
MUZP-0072-CAV	RST58C1U-CAV	2590	2850	3150	3500	3880				
MUGP-H073-CAA	RST53C1U-CAA	2450	2740	3090	3480	3920	4380	4850	5330	5810
MUZP-H074-CAV	RST58C1U-CAV	2660	2930	3260	3620	4010	4440			
MUGP-H081-CAV	RST58C1U-CAV	2800	3120	3490	3910	4370	4850	5360	5880	6410

Capacities rated at 40°F return gas, 5°F subcooling

R-404A Low Temp/EMT

Copeland air-cooled condensing units

Model	Compressor	-30	-25	-20	-15	-10	-5	0	5	10	15	20	25	30
90° Ambient														
M6JL-0021-IAA	AFE08C4E-IAA		619	698	782	872	967	1070	1170	1270	1370			
M6JL-H023-IAA	AFE08C4E-IAA		651	739	834	939	1050	1170	1290	1420	1550			
M6JL-0026-IAA	AFE11C4E-IAA		787	891	1010	1130	1260	1390	1530	1670	1810			
M6JL-H030-IAA	AFE11C4E-IAA		853	971	1100	1240	1400	1560	1740	1920	2110			
M6QL-H032-IAA	AFE11C4E-IAA		863	982	1120	1260	1420	1590	1760	1950	2140			
M6ZL-0031-IAA	AFE11C4E-IAA		865	987	1120	1270	1430	1610	1790	1990	2190			
M6JL-H038-IAA	AFE13C4E-IAA		1120	1270	1430	1610	1800	2000	2200	2420	2640			
M6JL-0039-IAA	AFE17C4E-IAA		1190	1330	1470	1620	1770	1920	2060	2190	2310			
M6JL-0039-IAV	AFE17C4E-IAV		1190	1330	1470	1620	1770	1920	2060	2190	2310			
M6ZL-0040-IAA	AFE13C4E-IAA		1140	1300	1470	1660	1860	2070	2300	2530	2770			
M6JL-H041-IAA	AFE14C5E-IAA		1190	1350	1530	1730	1930	2150	2370	2610	2860			
M6JL-H041-IAV	AFE14C5E-IAV		1190	1350	1530	1730	1930	2150	2370	2610	2860			
M6ZL-0042-IAA	AFE14C5E-IAA		1210	1390	1580	1780	2000	2240	2490	2750	3030			
M6ZL-0042-IAV	AFE14C5E-IAV		1210	1390	1580	1780	2000	2240	2490	2750	3030			
M6JL-H048-IAA	AFE17C4E-IAA		1360	1540	1730	1940	2150	2380	2610	2850	3090			
M6JL-H048-IAV	AFE17C4E-IAV		1360	1540	1730	1940	2150	2380	2610	2850	3090			
M6JL-H052-IAA	AFE20C5E-IAA		1550	1770	2000	2240	2490	2740	3010	3270	3540			
M6JL-H052-IAV	AFE20C5E-IAV		1550	1770	2000	2240	2490	2740	3010	3270	3540			
M6ZL-0055-IAA	AFE20C5E-IAA		1600	1840	2080	2350	2630	2930	3230	3550	3880			
M6ZL-0055-IAV	AFE20C5E-IAV		1600	1840	2080	2350	2630	2930	3230	3550	3880			
M6ZP-0053-IAA	RST45C1E-IAA		1380	1740	2100	2460	2810	3170	3530	3890	4250	4610	4980	5340
M6ZP-0053-IAV	RST45C1E-IAV		1380	1740	2100	2460	2810	3170	3530	3890	4250	4610	4980	5340
M6ZP-H059-CAA	RST45C1E-CAA		1410	1770	2130	2480	2840	3190	3550	3920	4290	4670	5060	5450
M6ZP-H059-CAV	RST45C1E-CAV		1410	1770	2130	2480	2840	3190	3550	3920	4290	4670	5060	5450
M6GP-H064-CAA	RST45C1E-CAA		1460	1830	2210	2580	2970	3360	3760	4170	4600	5040	5490	5970
M6GP-H064-CAV	RST45C1E-CAV		1460	1830	2210	2580	2970	3360	3760	4170	4600	5040	5490	5970
M6KP-0064-CAA	RST45C1E-CAA		1470	1840	2220	2600	2980	3380	3790	4200	4640	5090	5560	6050
M6KP-0064-CAV	RST45C1E-CAV		1470	1840	2220	2600	2980	3380	3790	4200	4640	5090	5560	6050
M6ZL-H064-CAA	RFT22C1E-CAA	1470	1740	2030	2340	2660	2990	3350	3710	4080				
M6ZL-H064-CAV	RFT22C1E-CAV	1470	1740	2030	2340	2660	2990	3350	3710	4080				
M6ZL-H064-IAA	RFT22C1E-IAA	1470	1740	2030	2340	2660	2990	3350	3710	4080				
M6ZL-H064-IAV	RFT22C1E-IAV	1470	1740	2030	2340	2660	2990	3350	3710	4080				
M6GL-H070-CAA	RFT22C1E-CAA	1560	1840	2130	2450	2780	3140	3510	3900	4300				
M6GL-H070-CAV	RFT22C1E-CAV	1560	1840	2130	2450	2780	3140	3510	3900	4300				
M6ZL-H066-CAV	AFE23C5E-CAV		2110	2400	2710	3040	3400	3770	3770	3770	3770			
M6ZL-H076-CAV	AFE26C5E-CAV		2120	2420	2740	3070	3430	3800	4180	4580	4980			
M6ZL-H078-CAA	RFT26C1E-CAA	1790	2090	2410	2750	3100	3460	3840	4220	4620				
M6ZL-H078-CAV	RFT26C1E-CAV	1790	2090	2410	2750	3100	3460	3840	4220	4620				
M6ZL-H078-IAA	RFT26C1E-IAA	1790	2090	2410	2750	3100	3460	3840	4220	4620				
M6ZL-H078-IAV	RFT26C1E-IAV	1790	2090	2410	2750	3100	3460	3840	4220	4620				
M6ZL-0078-IAA	RFT26C1E-IAA	1790	2090	2420	2770	3130	3500	3870	4250	4610				
M6ZL-0078-IAV	RFT26C1E-IAV	1790	2090	2420	2770	3130	3500	3870	4250	4610				
M6GP-H074-CAA	RST55C1E-CAA		2280	2570	2900	3260	3660	4090	4540	5020	5510	6020	6550	7070
M6GP-H074-CAV	RST55C1E-CAV		2280	2570	2900	3260	3660	4090	4540	5020	5510	6020	6550	7070
M6GL-H079-CAA	RFT26C1E-CAA	1860	2180	2530	2890	3280	3690	4110	4560	5020				
M6GL-H079-CAV	RFT26C1E-CAV	1860	2180	2530	2890	3280	3690	4110	4560	5020				
M6KP-0075-CAA	RST55C1E-CAA		2300	2590	2920	3290	3690	4130	4590	5080	5590	6120	6660	7210
M6KP-0075-CAV	RST55C1E-CAV		2300	2590	2920	3290	3690	4130	4590	5080	5590	6120	6660	7210
M6GP-H090-CAV	RST64C1E-CAV		2650	3090	3550	4010	4490	4980	5480	6000	6520	7050	7580	8130
M6GP-H090-CFA	RST64C1E-CFA		2650	3090	3550	4010	4490	4980	5480	6000	6520	7050	7580	8130
M6KP-0092-CAV	RST64C1E-CAV		2660	3110	3580	4050	4540	5040	5560	6090	6630	7190	7750	8330
M6KP-0092-CFA	RST64C1E-CFA		2660	3110	3580	4050	4540	5040	5560	6090	6630	7190	7750	8330
M6KP-0095-CFV	RST70C1E-PFV		2620	3080	3570	4100	4650	5230	5820	6430	7050	7680	8310	8940
M6ZL-0098-CFV	RST80C1E-PFV		2870	3290	3730	4190	4640	5100	5560	6000	6420	6820	7210	
M6ZP-H090-CFA	RST80C1E-PFA		2930	3370	3810	4280	4760	5240	5730	6220	6710	7190	7680	8150
M6ZP-H090-CFV	RST80C1E-PFV		2930	3370	3810	4280	4760	5240	5730	6220	6710	7190	7680	8150
M6KP-0102-CAV	RST64C1E-CAV		2850	3350	3870	4420	4990	5600	6240	6910	7620	8370	9150	9970
M6KP-0102-CFA	RST64C1E-CFA		2850	3350	3870	4420	4990	5600	6240	6910	7620	8370	9150	9970
M6KP-0112-CFV	RST70C1E-PFV		2940	3460	4010	4580	5200	5840	6530	7250	8010	8810	9650	10500
M6KP-0106-CFV	RST80C1E-PFV		3130	3620	4140	4690	5270	5870	6490	7120	7770	8430	9100	9770
M6KL-0123-CFA	RFT42C1E-PFA	2840	3310	3820	4350	4900	5470	6040	6630	7210				
M6KL-0123-CFV	RFT42C1E-PFV	2840	3310	3820	4350	4900	5470	6040	6630	7210				
M6KP-0116-CFV	RST97C1E-PFV		3600	4120	4660	5240	5840	6460	7090	7730	8370	9000	9620	10200
M6KP-0127-CFV	RST80C1E-PFV		3420	3990	4610	5270	5980	6720	7510	8330	9190	10100	11000	12000
M6KP-0142-CFV	RST97C1E-PFV		3970	4570	5220	5920	6670	7460	8290	9150	10000	11000	11900	12900

Capacities rated at 40°F return gas, 5°F subcooling

R-404A Low Temp/EMT

Copeland air-cooled condensing units

Model	Compressor	-30	-25	-20	-15	-10	-5	0	5	10	15	20	25	30
100° Ambient														
M6JL-0021-IAA	AFE08C4E-IAA		542	614	691	773	860	949	1040	1140	1230			
M6JL-H023-IAA	AFE08C4E-IAA		592	673	761	855	956	1060	1170	1290	1400			
M6JL-0026-IAA	AFE11C4E-IAA		699	794	897	1010	1120	1240	1360	1480	1600			
M6JL-H030-IAA	AFE11C4E-IAA		762	872	993	1120	1270	1410	1570	1730	1900			
M6QL-H032-IAA	AFE11C4E-IAA		763	875	1000	1140	1280	1440	1600	1770	1950			
M6ZL-0031-IAA	AFE11C4E-IAA		766	880	1010	1150	1300	1460	1630	1810	1990			
M6JL-0039-IAA	AFE17C4E-IAA				1290	1420	1560	1690						
M6JL-0039-IAV	AFE17C4E-IAV				1290	1420	1560	1690						
M6JL-H038-IAA	AFE13C4E-IAA		1000	1150	1300	1460	1630	1810	2000	2190	2380			
M6ZL-0040-IAA	AFE13C4E-IAA		1020	1170	1330	1510	1700	1890	2100	2320	2540			
M6JL-H041-IAA	AFE14C5E-IAA		1060	1210	1380	1550	1730	1920	2120	2330	2550			
M6JL-H041-IAV	AFE14C5E-IAV		1060	1210	1380	1550	1730	1920	2120	2330	2550			
M6ZL-0042-IAA	AFE14C5E-IAA		1080	1240	1420	1610	1810	2030	2260	2500	2750			
M6ZL-0042-IAV	AFE14C5E-IAV		1080	1240	1420	1610	1810	2030	2260	2500	2750			
M6JL-H048-IAA	AFE17C4E-IAA		1210	1370	1540	1730	1920	2110	2310	2520	2720			
M6JL-H048-IAV	AFE17C4E-IAV		1210	1370	1540	1730	1920	2110	2310	2520	2720			
M6JL-H052-IAA	AFE20C5E-IAA		1390	1580	1780	1990	2210	2430	2650	2870	3100			
M6JL-H052-IAV	AFE20C5E-IAV		1390	1580	1780	1990	2210	2430	2650	2870	3100			
M6ZL-0055-IAA	AFE20C5E-IAA		1440	1650	1880	2120	2370	2630	2900	3190	3470			
M6ZL-0055-IAV	AFE20C5E-IAV		1440	1650	1880	2120	2370	2630	2900	3190	3470			
M6ZP-0053-IAA	RST45C1E-IAA		1160	1510	1850	2180	2510	2830	3150	3470	3790	4100	4410	4710
M6ZP-0053-IAV	RST45C1E-IAV		1160	1510	1850	2180	2510	2830	3150	3470	3790	4100	4410	4710
M6ZP-H059-CAA	RST45C1E-CAA		1180	1520	1870	2200	2540	2870	3200	3540	3870	4210	4550	4890
M6ZP-H059-CAV	RST45C1E-CAV		1180	1520	1870	2200	2540	2870	3200	3540	3870	4210	4550	4890
M6GP-H064-CAA	RST45C1E-CAA		1220	1580	1940	2290	2650	3010	3380	3750	4140	4540	4950	5380
M6GP-H064-CAV	RST45C1E-CAV		1220	1580	1940	2290	2650	3010	3380	3750	4140	4540	4950	5380
M6KP-0064-CAA	RST45C1E-CAA		1220	1590	1940	2300	2660	3030	3400	3790	4180	4590	5020	5460
M6KP-0064-CAV	RST45C1E-CAV		1220	1590	1940	2300	2660	3030	3400	3790	4180	4590	5020	5460
M6ZL-H064-CAA	RFT22C1E-CAA	1260	1500	1770	2050	2340	2660	2980	3320	3670				
M6ZL-H064-CAV	RFT22C1E-CAV	1260	1500	1770	2050	2340	2660	2980	3320	3670				
M6ZL-H064-IAA	RFT22C1E-IAA	1260	1500	1770	2050	2340	2660	2980	3320	3670				
M6ZL-H064-IAV	RFT22C1E-IAV	1260	1500	1770	2050	2340	2660	2980	3320	3670				
M6GL-H070-CAA	RFT22C1E-CAA	1360	1610	1870	2160	2460	2790	3130	3490	3860				
M6GL-H070-CAV	RFT22C1E-CAV	1360	1610	1870	2160	2460	2790	3130	3490	3860				
M6ZL-H078-CAA	RFT26C1E-CAA	1560	1830	2130	2440	2760	3100	3440	3800	4160				
M6ZL-H078-CAV	RFT26C1E-CAV	1560	1830	2130	2440	2760	3100	3440	3800	4160				
M6ZL-H078-IAA	RFT26C1E-IAA	1560	1830	2130	2440	2760	3100	3440	3800	4160				
M6ZL-H078-IAV	RFT26C1E-IAV	1560	1830	2130	2440	2760	3100	3440	3800	4160				
M6ZL-0078-IAA	RFT26C1E-IAA	1560	1840	2140	2450	2770	3100	3410	3730	4020				
M6ZL-0078-IAV	RFT26C1E-IAV	1560	1840	2140	2450	2770	3100	3410	3730	4020				
M6ZL-H076-CAV	AFE26C5E-CAV		1900	2180	2480	2790	3120	3460	3810	4160	4520			
M6ZL-H066-CAV	AFE23C5E-CAV		1930	2200	2500	2810	3150	3500	3500	3500	3500			
M6GP-H074-CAA	RST55C1E-CAA		1990	2240	2530	2850	3210	3600	4020	4460	4920	5390	5870	6350
M6GP-H074-CAV	RST55C1E-CAV		1990	2240	2530	2850	3210	3600	4020	4460	4920	5390	5870	6350
M6KP-0075-CAA	RST55C1E-CAA		2000	2250	2540	2870	3240	3640	4070	4520	4990	5480	5980	6490
M6KP-0075-CAV	RST55C1E-CAV		2000	2250	2540	2870	3240	3640	4070	4520	4990	5480	5980	6490
M6GL-H079-CAA	RFT26C1E-CAA	1620	1910	2220	2560	2910	3290	3680	4090	4510				
M6GL-H079-CAV	RFT26C1E-CAV	1620	1910	2220	2560	2910	3290	3680	4090	4510				
M6GP-H090-CAV	RST64C1E-CAV		2320	2740	3160	3590	4030	4480	4930	5390	5860	6330	6790	7250
M6GP-H090-CFA	RST64C1E-CFA		2320	2740	3160	3590	4030	4480	4930	5390	5860	6330	6790	7250
M6KP-0092-CAV	RST64C1E-CAV		2340	2760	3190	3630	4080	4540	5010	5490	5980	6480	6980	7490
M6KP-0092-CFA	RST64C1E-CFA		2340	2760	3190	3630	4080	4540	5010	5490	5980	6480	6980	7490
M6KP-0095-CFV	RST70C1E-PFV		2240	2670	3140	3630	4150	4690	5240	5800	6370	6930	7490	8050
M6ZL-0098-CFV	RST80C1E-PFV		2520	2900	3280	3680	4080	4480	4860	5230				
M6ZP-H090-CFA	RST80C1E-PFA		2580	2980	3390	3810	4240	4670	5090	5490	5870			
M6ZP-H090-CFV	RST80C1E-PFV		2580	2980	3390	3810	4240	4670	5090	5490	5870			
M6KP-0102-CAV	RST64C1E-CAV		2500	2960	3450	3960	4490	5050	5630	6250	6910	7590	8310	9070
M6KP-0102-CFA	RST64C1E-CFA		2500	2960	3450	3960	4490	5050	5630	6250	6910	7590	8310	9070
M6KP-0112-CFV	RST70C1E-PFV		2490	2990	3500	4050	4620	5220	5860	6530	7230	7970	8740	9560
M6KP-0106-CFV	RST80C1E-PFV		2730	3170	3650	4150	4680	5230	5800	6380	6970	7560	8160	8750
M6KL-0123-CFA	RFT42C1E-PFA	2520	2960	3420	3900	4400	4900	5420	5940	6450				
M6KL-0123-CFV	RFT42C1E-PFV	2520	2960	3420	3900	4400	4900	5420	5940	6450				
M6KP-0127-CFV	RST80C1E-PFV		2950	3470	4030	4640	5290	5990	6720	7490	8300	9140	10000	10900
M6KP-0116-CFV	RST97C1E-PFV		3130	3620	4130	4660	5220	5790	6370	6950	7510	8070	8600	9110
M6KP-0142-CFV	RST97C1E-PFV		3440	4000	4610	5260	5950	6690	7460	8260	9080	9930	10800	11700

Capacities rated at 40°F return gas, 5°F subcooling

R-404A Low Temp/EMT

Copeland air-cooled condensing units

Model	Compressor	-30	-25	-20	-15	-10	-5	0	5	10	15	20	25	30
110° Ambient														
M6JL-0021-IAA	AFE08C4E-IAA			516	592	673	758	846	937	1030	1120			
M6JL-H023-IAA	AFE08C4E-IAA		508	586	670	759	853	952	1050	1160	1260			
M6JL-0026-IAA	AFE11C4E-IAA				808	905	1010	1110	1220	1330	1430			
M6JL-H030-IAA	AFE11C4E-IAA		681	781	891	1010	1130	1270	1410	1550	1690			
M6QL-H032-IAA	AFE11C4E-IAA		685	787	899	1020	1150	1290	1430	1580	1740			
M6ZL-0031-IAA	AFE11C4E-IAA		686	790	905	1030	1170	1310	1460	1620	1790			
M6JL-H038-IAA	AFE13C4E-IAA			1030	1170	1310	1470	1630	1790	1950	2120			
M6ZL-0040-IAA	AFE13C4E-IAA		913	1050	1200	1360	1530	1710	1900	2090	2280			
M6JL-H041-IAA	AFE14C5E-IAA			1070	1210	1370	1520	1690	1860	2040	2230			
M6JL-H041-IAV	AFE14C5E-IAV			1070	1210	1370	1520	1690	1860	2040	2230			
M6ZL-0042-IAA	AFE14C5E-IAA		955	1100	1260	1430	1610	1800	2000	2220	2440			
M6ZL-0042-IAV	AFE14C5E-IAV		955	1100	1260	1430	1610	1800	2000	2220	2440			
M6JL-H048-IAA	AFE17C4E-IAA			1210	1360	1520	1680	1850	2020	2180	2340			
M6JL-H048-IAV	AFE17C4E-IAV			1210	1360	1520	1680	1850	2020	2180	2340			
M6JL-H052-IAA	AFE20C5E-IAA			1390	1570	1740	1920	2110	2290	2460				
M6JL-H052-IAV	AFE20C5E-IAV			1390	1570	1740	1920	2110	2290	2460				
M6ZL-0055-IAA	AFE20C5E-IAA			1460	1660	1870	2090	2310	2540	2780	3010			
M6ZL-0055-IAV	AFE20C5E-IAV			1460	1660	1870	2090	2310	2540	2780	3010			
M6ZP-0053-IAA	RST45C1E-IAA			1280	1590	1890	2180	2460	2730	3000	3260	3510	3760	
M6ZP-0053-IAV	RST45C1E-IAV			1280	1590	1890	2180	2460	2730	3000	3260	3510	3760	
M6ZP-H059-CAA	RST45C1E-CAA		962	1290	1610	1920	2220	2520	2810	3100	3380	3660	3940	4200
M6ZP-H059-CAV	RST45C1E-CAV		962	1290	1610	1920	2220	2520	2810	3100	3380	3660	3940	4200
M6GP-H064-CAA	RST45C1E-CAA		991	1330	1670	2000	2330	2650	2990	3320	3670	4020	4380	4750
M6GP-H064-CAV	RST45C1E-CAV		991	1330	1670	2000	2330	2650	2990	3320	3670	4020	4380	4750
M6KP-0064-CAA	RST45C1E-CAA		996	1340	1680	2010	2340	2670	3010	3350	3700	4070	4440	4830
M6KP-0064-CAV	RST45C1E-CAV		996	1340	1680	2010	2340	2670	3010	3350	3700	4070	4440	4830
M6ZL-H064-CAA	RFT22C1E-CAA	1060	1270	1500	1740	2010	2280	2570	2870	3170				
M6ZL-H064-CAV	RFT22C1E-CAV	1060	1270	1500	1740	2010	2280	2570	2870	3170				
M6ZL-H064-IAA	RFT22C1E-IAA	1060	1270	1500	1740	2010	2280	2570	2870	3170				
M6ZL-H064-IAV	RFT22C1E-IAV	1060	1270	1500	1740	2010	2280	2570	2870	3170				
M6GL-H070-CAA	RFT22C1E-CAA	1150	1370	1610	1870	2150	2440	2750	3080	3430				
M6GL-H070-CAV	RFT22C1E-CAV	1150	1370	1610	1870	2150	2440	2750	3080	3430				
M6ZL-0078-IAA	RFT26C1E-IAA		1590	1850	2110	2370	2630	2880	3110	3320				
M6ZL-0078-IAV	RFT26C1E-IAV		1590	1850	2110	2370	2630	2880	3110	3320				
M6ZL-H078-CAA	RFT26C1E-CAA		1580	1840	2110	2400	2700	3000	3310	3620				
M6ZL-H078-CAV	RFT26C1E-CAV		1580	1840	2110	2400	2700	3000	3310	3620				
M6ZL-H078-IAA	RFT26C1E-IAA		1580	1840	2110	2400	2700	3000	3310	3620				
M6ZL-H078-IAV	RFT26C1E-IAV		1580	1840	2110	2400	2700	3000	3310	3620				
M6GP-H074-CAA	RST55C1E-CAA			1930	2180	2470	2790	3140	3520	3920	4330	4750	5170	5600
M6GP-H074-CAV	RST55C1E-CAV			1930	2180	2470	2790	3140	3520	3920	4330	4750	5170	5600
M6ZL-H076-CAV	AFE26C5E-CAV			1940	2200	2480	2770	3060	3360	3660	3950			
M6KP-0075-CAA	RST55C1E-CAA		1730	1940	2190	2490	2810	3170	3550	3960	4390	4830	5280	5740
M6KP-0075-CAV	RST55C1E-CAV		1730	1940	2190	2490	2810	3170	3550	3960	4390	4830	5280	5740
M6GL-H079-CAA	RFT26C1E-CAA	1380	1640	1920	2230	2550	2880	3240	3610	3990				
M6GL-H079-CAV	RFT26C1E-CAV	1380	1640	1920	2230	2550	2880	3240	3610	3990				
M6ZL-H066-CAV	AFE23C5E-CAV			2000	2270	2560	2860	3180	3180	3180	3180			
M6KP-0095-CFV	RST70C1E-PFV			2250	2680	3140	3620	4100	4600	5100	5600	6090	6560	7010
M6GP-H090-CAV	RST64C1E-CAV			2370	2760	3150	3550	3940	4340	4730	5120	5480	5810	
M6GP-H090-CFA	RST64C1E-CFA			2370	2760	3150	3550	3940	4340	4730	5120	5480	5810	
M6ZL-0098-CFV	RST80C1E-PFV				2840	3170	3500	3830						
M6KP-0092-CAV	RST64C1E-CAV			2390	2780	3180	3590	4000	4410	4830	5250	5680	6090	6480
M6KP-0092-CFA	RST64C1E-CFA			2390	2780	3180	3590	4000	4410	4830	5250	5680	6090	6480
M6ZP-H090-CFA	RST80C1E-PFA				2950	3300	3660	4010	4340					
M6ZP-H090-CFV	RST80C1E-PFV				2950	3300	3660	4010	4340					
M6KP-0106-CFV	RST80C1E-PFV			2760	3170	3620	4090	4570	5070	5580	6090	6590	7080	
M6KP-0102-CAV	RST64C1E-CAV		2330	2760	3200	3650	4120	4600	5110	5630	6170	6740	7320	7930
M6KP-0102-CFA	RST64C1E-CFA		2330	2760	3200	3650	4120	4600	5110	5630	6170	6740	7320	7930
M6KP-0112-CFV	RST70C1E-PFV		2290	2740	3220	3700	4210	4740	5290	5860	6450	7070	7710	8370
M6KL-0123-CFA	RFT42C1E-PFA		2610	3020	3440	3870	4310	4750	5180	5600				
M6KL-0123-CFV	RFT42C1E-PFV		2610	3020	3440	3870	4310	4750	5180	5600				
M6KP-0116-CFV	RST97C1E-PFV			3110	3580	4070	4580	5080	5590	6090	6560			
M6KP-0127-CFV	RST80C1E-PFV		2730	3180	3680	4200	4760	5350	5970	6610	7280	7970	8680	9410
M6KP-0142-CFV	RST97C1E-PFV		3140	3640	4170	4740	5340	5960	6600	7260	7930	8610	9290	9970

Capacities rated at 40°F return gas, 5°F subcooling

R-404A Medium Temp

Copeland air-cooled condensing units

Model	Compressor	-10	-5	0	5	10	15	20	25	30
90° Ambient										
M6JM-0017-IAA	ASE12C4E-IAA	785	883	989	1100	1220	1350	1480	1620	1750
M6JM-H020-IAA	ASE12C4E-IAA	855	967	1090	1230	1370	1530	1700	1880	2060
M6ZM-0021-IAA	ASE12C4E-IAA	868	983	1110	1250	1410	1580	1760	1950	2150
M6JM-H023-IAA	ASE14C4E-IAA	1060	1190	1320	1470	1640	1810	1990	2180	2380
M6JM-H028-IAA	ASE20C4E-IAA	1230	1470	1690	1900	2100	2300	2510	2730	2960
M6JM-H028-IAV	ASE20C4E-IAV	1230	1470	1690	1900	2100	2300	2510	2730	2960
M6ZM-0031-IAA	ASE20C4E-IAA	1200	1440	1670	1900	2110	2340	2570	2810	3080
M6JM-H030-IAA	ASE24C5E-IAA	1290	1560	1790	1990	2180	2390	2620	2890	3210
M6ZM-0025-IAA	ASE14C4E-IAA	1240	1490	1730	1960	2190	2420	2650	2910	3180
M6ZM-0025-IAV	ASE20C4E-IAV	1240	1490	1730	1960	2190	2420	2650	2910	3180
M6ZM-H026-CAA	ASE20C4E-CAA	1480	1600	1770	1970	2200	2450	2710	2980	3260
M6ZM-0032-IAA	ASE24C5E-IAA	1340	1610	1850	2070	2280	2510	2770	3080	3450
M6ZM-H035-IAA	ASE24C5E-IAA	1380	1650	1890	2110	2320	2560	2820	3140	3510
M6JM-H035-IAA	ASE28C5E-IAA	1880	1950	2070	2240	2470	2740	3050	3390	3760
M6JM-H035-IAV	ASE28C5E-IAV	1880	1950	2070	2240	2470	2740	3050	3390	3760
M6ZM-0038-IAA	ASE28C5E-IAA	1950	2030	2160	2360	2610	2910	3270	3660	4090
M6ZM-0038-IAV	ASE28C5E-IAV	1950	2030	2160	2360	2610	2910	3270	3660	4090
M6JM-H043-IAA	ASE39C5E-IAA		2560	2730	2950	3210	3510	3830	4170	4510
M6ZM-0048-IAA	ASE39C5E-IAA	2580	2710	2900	3160	3460	3810	4200	4620	5050
M6ZM-H054-CAV	ASE39C5E-CAV	2570	2740	2970	3240	3560	3910	4290	4680	5090
100° Ambient										
M6JM-0017-IAA	ASE12C4E-IAA		776	871	972	1080	1190	1300	1420	1530
M6JM-H020-IAA	ASE12C4E-IAA	757	860	973	1100	1230	1370	1520	1680	1840
M6ZM-0021-IAA	ASE12C4E-IAA	761	868	987	1120	1260	1410	1580	1750	1930
M6JM-H023-IAA	ASE14C4E-IAA		1070	1190	1330	1470	1620	1780	1950	2130
M6JM-H028-IAA	ASE20C4E-IAA		1410	1580	1750	1900	2060	2220	2400	2590
M6JM-H028-IAV	ASE20C4E-IAV		1410	1580	1750	1900	2060	2220	2400	2590
M6ZM-0031-IAA	ASE20C4E-IAA		1380	1560	1750	1930	2110	2310	2520	2750
M6JM-H030-IAA	ASE24C5E-IAA		1380	1600	1780	1950	2130	2330	2560	2840
M6ZM-0025-IAA	ASE14C4E-IAA		1430	1620	1810	1990	2180	2380	2600	2830
M6ZM-0025-IAV	ASE20C4E-IAV		1430	1620	1810	1990	2180	2380	2600	2830
M6ZM-H026-CAA	ASE20C4E-CAA	1320	1420	1570	1750	1960	2190	2440	2690	2950
M6ZM-0032-IAA	ASE24C5E-IAA		1430	1660	1870	2060	2260	2500	2770	3100
M6ZM-H035-IAA	ASE24C5E-IAA	1180	1460	1690	1900	2100	2310	2550	2830	3180
M6JM-H035-IAA	ASE28C5E-IAA		1740	1840	1990	2190	2420	2690	2990	3320
M6JM-H035-IAV	ASE28C5E-IAV		1740	1840	1990	2190	2420	2690	2990	3320
M6ZM-0038-IAA	ASE28C5E-IAA		1820	1940	2120	2350	2620	2940	3300	3690
M6ZM-0038-IAV	ASE28C5E-IAV		1820	1940	2120	2350	2620	2940	3300	3690
M6JM-H043-IAA	ASE39C5E-IAA			2440	2620	2840	3090	3350	3630	3900
M6ZM-0048-IAA	ASE39C5E-IAA		2450	2630	2860	3130	3440	3780	4140	4510
M6ZM-H054-CAV	ASE39C5E-CAV		2480	2680	2930	3220	3550	3900	4260	4630
110° Ambient										
M6JM-0017-IAA	ASE12C4E-IAA			859	952	1050	1150	1250	1350	
M6JM-H020-IAA	ASE12C4E-IAA			861	970	1090	1210	1340	1480	1620
M6ZM-0021-IAA	ASE12C4E-IAA			875	992	1120	1250	1400	1550	1710
M6JM-H023-IAA	ASE14C4E-IAA			1060	1180	1310	1440	1580	1720	1880
M6JM-H028-IAA	ASE20C4E-IAA				1600	1700	1810	1930	2060	2200
M6JM-H028-IAV	ASE20C4E-IAV				1600	1700	1810	1930	2060	2200
M6ZM-0031-IAA	ASE20C4E-IAA			1470	1600	1740	1880	2030	2190	2380
M6JM-H030-IAA	ASE24C5E-IAA				1580	1730	1880	2040	2230	2460
M6ZM-0025-IAA	ASE14C4E-IAA			1520	1660	1790	1940	2090	2260	2450
M6ZM-0025-IAV	ASE20C4E-IAV			1520	1660	1790	1940	2090	2260	2450
M6ZM-H026-CAA	ASE20C4E-CAA			1400	1560	1740	1950	2170	2390	2620
M6ZM-0032-IAA	ASE24C5E-IAA			1470	1660	1830	2010	2200	2440	2720
M6ZM-H035-IAA	ASE24C5E-IAA			1500	1690	1870	2050	2260	2510	2810
M6JM-H035-IAA	ASE28C5E-IAA				1740	1900	2100	2340	2590	2870
M6JM-H035-IAV	ASE28C5E-IAV				1740	1900	2100	2340	2590	2870
M6ZM-0038-IAA	ASE28C5E-IAA			1710	1870	2060	2300	2580	2890	3230
M6ZM-0038-IAV	ASE28C5E-IAV			1710	1870	2060	2300	2580	2890	3230
M6JM-H043-IAA	ASE39C5E-IAA					2440				
M6ZM-0048-IAA	ASE39C5E-IAA				2520	2750	3000	3280	3570	3860
M6ZM-H054-CAV	ASE39C5E-CAV				2610	2860	3150	3460	3780	4100

Capacities rated at 40°F return gas, 5°F subcooling

R-407C Medium Temp

Copeland air-cooled condensing units

Model	Compressor	0	5	10	15	20	25	30
90° Ambient								
M6JM-0017-IAA	ASE12C4E-IAA	876	989	1110	1240	1380	1530	1690
M6JM-H020-IAA	ASE12C4E-IAA	916	1050	1200	1370	1550	1740	1960
M6ZM-0021-IAA	ASE12C4E-IAA	926	1060	1210	1380	1560	1760	1970
M6ZM-H022-IAA	ASE12C4E-IAA	934	1070	1220	1380	1550	1740	1950
M6QM-H022-IAA	ASE12C4E-IAA	932	1070	1220	1390	1570	1770	1990
M6ZM-0031-IAA	ASE20C4E-IAA	1490	1690	1920	2160	2420	2710	3010
M6JM-H028-CAA	ASE20C4E-CAA	1500	1720	1960	2220	2500	2810	3150
M6JM-H028-IAA	ASE20C4E-IAA	1500	1720	1960	2220	2500	2810	3150
M6QM-H031-CAA	ASE20C4E-CAA	1530	1750	1990	2260	2550	2860	3200
M6QM-H031-IAA	ASE20C4E-IAA	1530	1750	1990	2260	2550	2860	3200
M6ZP-0053-IAA	RST45C1E-IAA		2700	3070	3470	3910	4360	4840
M6ZP-0053-IAV	RST45C1E-IAV		2700	3070	3470	3910	4360	4840
M6ZP-H059-CAA	RST45C1E-CAA		2920	3320	3760	4230	4730	5250
M6ZP-H059-CAV	RST45C1E-CAV		2920	3320	3760	4230	4730	5250
M6GP-H064-CAA	RST45C1E-CAA	2670	3050	3480	3960	4480	5040	5640
M6GP-H064-CAV	RST45C1E-CAV	2670	3050	3480	3960	4480	5040	5640
M6KP-0064-CAA	RST45C1E-CAA	2680	3060	3500	3990	4520	5090	5700
M6KP-0064-CAV	RST45C1E-CAV	2680	3060	3500	3990	4520	5090	5700
M6GP-U064-CAA	RST45C1E-CAA	2760	3160	3630	4150	4730	5350	6020
M6GP-H074-CAA	RST55C1E-CAA	3200	3680	4190	4730	5310	5920	6560
M6GP-H074-CAV	RST55C1E-CAV	3200	3680	4190	4730	5310	5920	6560
M6KP-0075-CAA	RST55C1E-CAA	3220	3700	4220	4770	5360	5990	6660
M6KP-0075-CAV	RST55C1E-CAV	3220	3700	4220	4770	5360	5990	6660
M6GP-H090-CAV	RST64C1E-CAV		4790	5410	6060	6750	7470	8220
M6GP-H090-CFA	RST64C1E-CFA		4790	5410	6060	6750	7470	8220
M6ZL-0098-CFV	RST80C1E-PFV			5500	6060	6620		
M6KP-0092-CAV	RST64C1E-CAV		4830	5470	6140	6850	7600	8380
M6KP-0092-CFA	RST64C1E-CFA		4830	5470	6140	6850	7600	8380
M6KP-0095-CFV	RST70C1E-PFV		4900	5560	6230	6940	7670	8440
M6ZP-H090-CFV	RST80C1E-PFV			5690	6280	6880	7470	
M6KP-0096-TAC	RST70C1E-TA5		4960	5620	6300	7010	7760	8530
M6KP-0102-CAV	RST64C1E-CAV	4580	5270	6020	6840	7720	8660	9680
M6KP-0102-CFA	RST64C1E-CFA	4580	5270	6020	6840	7720	8660	9680
M6GP-H103-CFV	RST80C1E-PFV		5500	6200	6920	7660	8410	9190
M6KP-0112-CFV	RST70C1E-PFV	4650	5370	6120	6930	7780	8710	9700
M6KP-0112-TAC	RST70C1E-TA5	4650	5370	6120	6930	7780	8710	9700
M6KP-0106-CFV	RST80C1E-PFV		5560	6290	7030	7800	8590	9410
M6KP-0116-CFV	RST97C1E-PFV		6180	6970	7780	8600	9440	10300
M6KP-0127-CFV	RST80C1E-PFV	5350	6170	7030	7940	8910	9950	11100
M6KP-0142-CFV	RST97C1E-PFV	6030	6940	7900	8910	9990	11100	12400

R-407C Medium Temp

Copeland air-cooled condensing units

Model	Compressor	0	5	10	15	20	25	30
100° Ambient								
M6JM-0017-IAA	ASE12C4E-IAA		894	1010	1130	1260	1400	1540
M6JM-H020-IAA	ASE12C4E-IAA		951	1090	1250	1410	1600	1790
M6ZM-0021-IAA	ASE12C4E-IAA		959	1100	1250	1420	1610	1810
M6ZM-H022-IAA	ASE12C4E-IAA		967	1110	1260	1420	1600	1790
M6QM-H022-IAA	ASE12C4E-IAA		969	1110	1270	1440	1620	1830
M6ZM-0031-IAA	ASE20C4E-IAA		1540	1750	1980	2220	2480	2760
M6JM-H028-CAA	ASE20C4E-CAA		1560	1790	2030	2300	2580	2890
M6JM-H028-IAA	ASE20C4E-IAA		1560	1790	2030	2300	2580	2890
M6QM-H031-CAA	ASE20C4E-CAA		1590	1820	2070	2340	2630	2950
M6QM-H031-IAA	ASE20C4E-IAA		1590	1820	2070	2340	2630	2950
M6ZP-0053-IAA	RST45C1E-IAA			2770	3140	3540	3960	4400
M6ZP-0053-IAV	RST45C1E-IAV			2770	3140	3540	3960	4400
M6ZP-H059-CAA	RST45C1E-CAA			3000	3400	3840	4300	4780
M6ZP-H059-CAV	RST45C1E-CAV			3000	3400	3840	4300	4780
M6GP-H064-CAA	RST45C1E-CAA		2750	3150	3590	4080	4590	5140
M6GP-H064-CAV	RST45C1E-CAV		2750	3150	3590	4080	4590	5140
M6KP-0064-CAA	RST45C1E-CAA		2760	3170	3620	4110	4640	5200
M6KP-0064-CAV	RST45C1E-CAV		2760	3170	3620	4110	4640	5200
M6GP-U064-CAA	RST45C1E-CAA		2860	3300	3780	4310	4890	5510
M6GP-H074-CAA	RST55C1E-CAA		3330	3800	4300	4820	5380	5970
M6GP-H074-CAV	RST55C1E-CAV		3330	3800	4300	4820	5380	5970
M6KP-0075-CAA	RST55C1E-CAA		3360	3830	4340	4880	5450	6060
M6KP-0075-CAV	RST55C1E-CAV		3360	3830	4340	4880	5450	6060
M6GP-H090-CAV	RST64C1E-CAV			4920	5520	6150	6800	7470
M6GP-H090-CFA	RST64C1E-CFA			4920	5520	6150	6800	7470
M6KP-0092-CAV	RST64C1E-CAV			4980	5600	6240	6920	7630
M6KP-0092-CFA	RST64C1E-CFA			4980	5600	6240	6920	7630
M6ZP-H090-CFV	RST80C1E-PFV				5640			
M6KP-0095-CFV	RST70C1E-PFV			5060	5680	6330	7000	7690
M6KP-0096-TAC	RST70C1E-TA5			5120	5750	6400	7080	7780
M6KP-0102-CAV	RST64C1E-CAV		4810	5500	6250	7060	7920	8860
M6KP-0102-CFA	RST64C1E-CFA		4810	5500	6250	7060	7920	8860
M6GP-H103-CFV	RST80C1E-PFV			5630	6290	6950	7630	8320
M6KP-0112-CFV	RST70C1E-PFV		4880	5590	6340	7140	7990	8900
M6KP-0112-TAC	RST70C1E-TA5		4880	5590	6340	7140	7990	8900
M6KP-0106-CFV	RST80C1E-PFV			5720	6400	7090	7810	8540
M6KP-0116-CFV	RST97C1E-PFV			6330	7060	7800	8560	9320
M6KP-0127-CFV	RST80C1E-PFV		5610	6420	7270	8170	9120	10100
M6KP-0142-CFV	RST97C1E-PFV		6320	7220	8160	9150	10200	11300

R-407C Medium Temp

Copeland air-cooled condensing units

Model	Compressor	0	5	10	15	20	25	30
110° Ambient								
M6JM-0017-IAA	ASE12C4E-IAA				1020	1140	1270	1400
M6JM-H020-IAA	ASE12C4E-IAA		979	1120	1280	1440	1620	
M6ZM-0021-IAA	ASE12C4E-IAA		999	1140	1300	1470	1650	
M6ZM-H022-IAA	ASE12C4E-IAA		997	1140	1290	1450	1620	
M6QM-H022-IAA	ASE12C4E-IAA		1010	1150	1310	1480	1670	
M6ZM-0031-IAA	ASE20C4E-IAA		1580	1790	2020	2250	2510	
M6JM-H028-CAA	ASE20C4E-CAA		1610	1840	2080	2350	2630	
M6JM-H028-IAA	ASE20C4E-IAA		1610	1840	2080	2350	2630	
M6QM-H031-CAA	ASE20C4E-CAA		1660	1890	2140	2410	2700	
M6QM-H031-IAA	ASE20C4E-IAA		1660	1890	2140	2410	2700	
M6ZP-0053-IAA	RST45C1E-IAA				2830	3200	3580	
M6ZP-0053-IAV	RST45C1E-IAV				2830	3200	3580	
M6ZP-H059-CAA	RST45C1E-CAA				3070	3470	3890	
M6ZP-H059-CAV	RST45C1E-CAV				3070	3470	3890	
M6GP-H064-CAA	RST45C1E-CAA		2830	3240	3680	4160	4660	
M6GP-H064-CAV	RST45C1E-CAV		2830	3240	3680	4160	4660	
M6KP-0064-CAA	RST45C1E-CAA		2840	3260	3710	4200	4710	
M6KP-0064-CAV	RST45C1E-CAV		2840	3260	3710	4200	4710	
M6GP-U064-CAA	RST45C1E-CAA		2970	3420	3910	4450	5020	
M6GP-H074-CAA	RST55C1E-CAA		3410	3860	4330	4840	5360	
M6GP-H074-CAV	RST55C1E-CAV		3410	3860	4330	4840	5360	
M6KP-0075-CAA	RST55C1E-CAA		3440	3900	4390	4910	5450	
M6KP-0075-CAV	RST55C1E-CAV		3440	3900	4390	4910	5450	
M6GP-H090-CAV	RST64C1E-CAV				4970	5540		
M6GP-H090-CFA	RST64C1E-CFA				4970	5540		
M6KP-0092-CAV	RST64C1E-CAV				5050	5630	6250	
M6KP-0092-CFA	RST64C1E-CFA				5050	5630	6250	
M6KP-0095-CFV	RST70C1E-PFV				5110	5690	6290	
M6KP-0096-TAC	RST70C1E-TA5				5170	5760	6360	
M6GP-H103-CFV	RST80C1E-PFV				5620			
M6KP-0102-CAV	RST64C1E-CAV		4990	5670	6400	7190	8040	
M6KP-0102-CFA	RST64C1E-CFA		4990	5670	6400	7190	8040	
M6KP-0106-CFV	RST80C1E-PFV				5730	6350		
M6KP-0112-CFV	RST70C1E-PFV		5070	5760	6480	7260	8080	
M6KP-0112-TAC	RST70C1E-TA5		5070	5760	6480	7260	8080	
M6KP-0116-CFV	RST97C1E-PFV				6310			
M6KP-0127-CFV	RST80C1E-PFV		5810	6590	7410	8270	9190	
M6KP-0142-CFV	RST97C1E-PFV		6520	7380	8290	9240	10200	

R-448A Low Temp

Copeland air-cooled condensing units

Model	Compressor	-30	-25	-20	-15	-10	-5	0	5	10	15
90° Ambient											
M6JL-0021-IAA	AFE08C4E-IAA		615	692	785	891	1010	1140	1270	1410	1560
M6JL-H023-IAA	AFE08C4E-IAA		609	698	804	926	1060	1210	1380	1550	1730
M6JL-0026-IAA	AFE11C4E-IAA		701	790	896	1020	1150	1300	1450	1610	1770
M6JL-H030-IAA	AFE11C4E-IAA		710	812	935	1080	1230	1410	1590	1790	1990
M6QL-H032-IAA	AFE11C4E-IAA		710	813	937	1080	1240	1410	1600	1800	2010
M6ZL-0031-IAA	AFE11C4E-IAA		710	814	940	1080	1250	1430	1620	1830	2040
M6JL-H038-IAA	AFE13C4E-IAA		915	1050	1200	1380	1580	1790	2020	2260	2510
M6ZL-0040-IAA	AFE13C4E-IAA		921	1060	1220	1400	1610	1840	2080	2340	2610
M6JL-0039-IAA	AFE17C4E-IAA		1050	1180	1330	1500	1680	1870	2070	2280	2490
M6JL-0039-IAV	AFE17C4E-IAV		1050	1180	1330	1500	1680	1870	2070	2280	2490
M6ZL-0042-IAA	AFE14C5E-IAA		1040	1180	1350	1530	1730	1950	2190	2440	2700
M6ZL-0042-IAV	AFE14C5E-IAV		1040	1180	1350	1530	1730	1950	2190	2440	2700
M6JL-H041-IAA	AFE14C5E-IAA		1030	1190	1370	1570	1780	2010	2260	2510	2770
M6JL-H041-IAV	AFE14C5E-IAV		1030	1190	1370	1570	1780	2010	2260	2510	2770
M6JL-H048-IAA	AFE17C4E-IAA		1140	1300	1490	1700	1930	2180	2430	2700	2960
M6JL-H048-IAV	AFE17C4E-IAV		1140	1300	1490	1700	1930	2180	2430	2700	2960
M6JL-H052-IAA	AFE20C5E-IAA		1350	1560	1790	2040	2300	2590	2880	3170	3460
M6JL-H052-IAV	AFE20C5E-IAV		1350	1560	1790	2040	2300	2590	2880	3170	3460
M6ZL-0055-IAA	AFE20C5E-IAA		1380	1590	1840	2110	2400	2710	3030	3360	3700
M6ZL-0055-IAV	AFE20C5E-IAV		1380	1590	1840	2110	2400	2710	3030	3360	3700
M6ZL-H064-CAA	RFT22C1E-CAA	1160	1350	1570	1840	2140	2470	2830	3220	3620	
M6ZL-H064-CAV	RFT22C1E-CAV	1160	1350	1570	1840	2140	2470	2830	3220	3620	
M6ZL-H064-IAA	RFT22C1E-IAA	1160	1350	1570	1840	2140	2470	2830	3220	3620	
M6ZL-H064-IAV	RFT22C1E-IAV	1160	1350	1570	1840	2140	2470	2830	3220	3620	
M6ZL-0063-IAA	RFT22C1E-IAA	1170	1360	1590	1850	2150	2480	2840	3220	3620	
M6ZL-0063-IAV	RFT22C1E-IAV	1170	1360	1590	1850	2150	2480	2840	3220	3620	
M6GL-H070-CAA	RFT22C1E-CAA	1240	1440	1680	1970	2300	2660	3060	3500	3960	
M6GL-H070-CAV	RFT22C1E-CAV	1240	1440	1680	1970	2300	2660	3060	3500	3960	
M6ZL-H066-CAV	AFE23C5E-CAV		1620	1880	2160	2470	2810	3170	3550	3950	4360
M6ZL-0078-IAA	RFT26C1E-IAA	1400	1620	1890	2200	2550	2930	3330	3770	4210	
M6ZL-0078-IAV	RFT26C1E-IAV	1400	1620	1890	2200	2550	2930	3330	3770	4210	
M6ZL-H078-CAA	RFT26C1E-CAA	1490	1730	2010	2340	2720	3130	3570	4030	4520	
M6ZL-H078-CAV	RFT26C1E-CAV	1490	1730	2010	2340	2720	3130	3570	4030	4520	
M6ZL-H078-IAA	RFT26C1E-IAA	1490	1730	2010	2340	2720	3130	3570	4030	4520	
M6ZL-H078-IAV	RFT26C1E-IAV	1490	1730	2010	2340	2720	3130	3570	4030	4520	
M6ZL-H076-CAV	AFE26C5E-CAV		1800	2090	2400	2750	3120	3520	3940	4370	4810
M6GL-H079-CAA	RFT26C1E-CAA	1520	1770	2070	2420	2820	3260	3740	4250	4800	
M6GL-H079-CAV	RFT26C1E-CAV	1520	1770	2070	2420	2820	3260	3740	4250	4800	
M6ZL-0098-CFV	RST80C1E-PFV								5150	5700	6270
M6KL-0123-CFA	RFT42C1E-PFA	2660	2900	3270	3720	4250	4840	5460	6110	6780	
M6KL-0123-CFV	RFT42C1E-PFV	2660	2900	3270	3720	4250	4840	5460	6110	6780	

Capacities rated at 40°F return gas, 5°F subcooling

R-448A Low Temp

Copeland air-cooled condensing units

Model	Compressor	-30	-25	-20	-15	-10	-5	0	5	10	15
100° Ambient											
M6JL-0021-IAA	AFE08C4E-IAA		567	638	722	819	927	1040	1170	1300	1430
M6JL-H023-IAA	AFE08C4E-IAA		552	637	736	851	978	1120	1270	1420	1590
M6JL-0026-IAA	AFE11C4E-IAA		641	723	820	931	1050	1190	1320	1470	1620
M6JL-H030-IAA	AFE11C4E-IAA		642	740	856	988	1130	1290	1460	1640	1830
M6QL-H032-IAA	AFE11C4E-IAA		643	741	858	991	1140	1300	1470	1660	1850
M6ZL-0031-IAA	AFE11C4E-IAA		642	742	860	996	1150	1310	1490	1680	1880
M6JL-H038-IAA	AFE13C4E-IAA		825	950	1100	1260	1450	1650	1860	2080	2310
M6ZL-0040-IAA	AFE13C4E-IAA		831	960	1110	1290	1480	1690	1920	2150	2400
M6JL-0039-IAA	AFE17C4E-IAA				1200	1350	1510	1690			
M6JL-0039-IAV	AFE17C4E-IAV				1200	1350	1510	1690			
M6ZL-0042-IAA	AFE14C5E-IAA		929	1070	1230	1400	1590	1800	2010	2240	2480
M6ZL-0042-IAV	AFE14C5E-IAV		929	1070	1230	1400	1590	1800	2010	2240	2480
M6JL-H041-IAA	AFE14C5E-IAA		921	1070	1230	1420	1620	1830	2060	2290	2530
M6JL-H041-IAV	AFE14C5E-IAV		921	1070	1230	1420	1620	1830	2060	2290	2530
M6JL-H048-IAA	AFE17C4E-IAA		1050	1190	1350	1550	1760	1990	2230	2470	2720
M6JL-H048-IAV	AFE17C4E-IAV		1050	1190	1350	1550	1760	1990	2230	2470	2720
M6JL-H052-IAA	AFE20C5E-IAA		1220	1410	1620	1850	2090	2350	2610	2880	3140
M6JL-H052-IAV	AFE20C5E-IAV		1220	1410	1620	1850	2090	2350	2610	2880	3140
M6ZL-0055-IAA	AFE20C5E-IAA		1240	1440	1670	1910	2180	2460	2750	3050	3360
M6ZL-0055-IAV	AFE20C5E-IAV		1240	1440	1670	1910	2180	2460	2750	3050	3360
M6ZL-H064-CAA	RFT22C1E-CAA		1210	1420	1670	1940	2250	2580	2930	3310	
M6ZL-H064-CAV	RFT22C1E-CAV		1210	1420	1670	1940	2250	2580	2930	3310	
M6ZL-H064-IAA	RFT22C1E-IAA		1210	1420	1670	1940	2250	2580	2930	3310	
M6ZL-H064-IAV	RFT22C1E-IAV		1210	1420	1670	1940	2250	2580	2930	3310	
M6ZL-0063-IAA	RFT22C1E-IAA		1220	1430	1670	1950	2250	2580	2930	3290	
M6ZL-0063-IAV	RFT22C1E-IAV		1220	1430	1670	1950	2250	2580	2930	3290	
M6GL-H070-CAA	RFT22C1E-CAA		1290	1520	1790	2090	2430	2800	3200	3630	
M6GL-H070-CAV	RFT22C1E-CAV		1290	1520	1790	2090	2430	2800	3200	3630	
M6ZL-H066-CAV	AFE23C5E-CAV		1470	1710	1970	2260	2570	2910	3260	3620	4000
M6ZL-0078-IAA	RFT26C1E-IAA			1700	1980	2300	2650	3020	3410	3820	
M6ZL-0078-IAV	RFT26C1E-IAV			1700	1980	2300	2650	3020	3410	3820	
M6ZL-H078-CAA	RFT26C1E-CAA		1550	1820	2120	2460	2840	3240	3670	4110	
M6ZL-H078-CAV	RFT26C1E-CAV		1550	1820	2120	2460	2840	3240	3670	4110	
M6ZL-H078-IAA	RFT26C1E-IAA		1550	1820	2120	2460	2840	3240	3670	4110	
M6ZL-H078-IAV	RFT26C1E-IAV		1550	1820	2120	2460	2840	3240	3670	4110	
M6ZL-H076-CAV	AFE26C5E-CAV		1640	1900	2190	2510	2860	3220	3600	4000	4400
M6GL-H079-CAA	RFT26C1E-CAA		1590	1870	2200	2560	2970	3410	3890	4390	
M6GL-H079-CAV	RFT26C1E-CAV		1590	1870	2200	2560	2970	3410	3890	4390	
M6ZL-0098-CFV	RST80C1E-PFV									5200	
M6KL-0123-CFA	RFT42C1E-PFA			3150	3500	3930	4430	4980	5570	6180	
M6KL-0123-CFV	RFT42C1E-PFV			3150	3500	3930	4430	4980	5570	6180	

Capacities rated at 40°F return gas, 5°F subcooling

R-448A Low Temp

Copeland air-cooled condensing units

Model	Compressor	-30	-25	-20	-15	-10	-5	0	5	10	15
110° Ambient											
M6JL-0021-IAA	AFE08C4E-IAA				612	711	819	934	1050	1180	1300
M6JL-H023-IAA	AFE08C4E-IAA		501	582	676	783	902	1030	1170	1310	1460
M6JL-0026-IAA	AFE11C4E-IAA				699	812	933	1060	1190	1330	
M6QL-H032-IAA	AFE11C4E-IAA			655	767	894	1030	1180	1340	1510	1690
M6ZL-0031-IAA	AFE11C4E-IAA			654	769	899	1040	1200	1360	1540	1720
M6JL-H030-IAA	AFE11C4E-IAA		579	672	781	905	1040	1190	1340	1500	1670
M6JL-H038-IAA	AFE13C4E-IAA			851	989	1140	1310	1490	1690	1880	2090
M6ZL-0040-IAA	AFE13C4E-IAA			843	990	1160	1340	1540	1740	1960	2190
M6ZL-0042-IAA	AFE14C5E-IAA			941	1100	1270	1450	1640	1840	2050	2270
M6ZL-0042-IAV	AFE14C5E-IAV			941	1100	1270	1450	1640	1840	2050	2270
M6JL-H041-IAA	AFE14C5E-IAA			968	1120	1290	1470	1660	1860	2080	2290
M6JL-H041-IAV	AFE14C5E-IAV			968	1120	1290	1470	1660	1860	2080	2290
M6JL-H048-IAA	AFE17C4E-IAA				1230	1400	1590	1790	2010	2230	
M6JL-H048-IAV	AFE17C4E-IAV				1230	1400	1590	1790	2010	2230	
M6JL-H052-IAA	AFE20C5E-IAA				1470	1680	1900	2120	2360	2600	
M6JL-H052-IAV	AFE20C5E-IAV				1470	1680	1900	2120	2360	2600	
M6ZL-0055-IAA	AFE20C5E-IAA				1510	1730	1970	2230	2490	2760	3030
M6ZL-0055-IAV	AFE20C5E-IAV				1510	1730	1970	2230	2490	2760	3030
M6ZL-0063-IAA	RFT22C1E-IAA				1490	1740	2010	2310	2620	2950	
M6ZL-0063-IAV	RFT22C1E-IAV				1490	1740	2010	2310	2620	2950	
M6ZL-H064-CAA	RFT22C1E-CAA				1480	1740	2010	2320	2640	2970	
M6ZL-H064-CAV	RFT22C1E-CAV				1480	1740	2010	2320	2640	2970	
M6ZL-H064-IAA	RFT22C1E-IAA				1480	1740	2010	2320	2640	2970	
M6ZL-H064-IAV	RFT22C1E-IAV				1480	1740	2010	2320	2640	2970	
M6GL-H070-CAA	RFT22C1E-CAA			1360	1600	1880	2190	2530	2890	3280	
M6GL-H070-CAV	RFT22C1E-CAV			1360	1600	1880	2190	2530	2890	3280	
M6ZL-0078-IAA	RFT26C1E-IAA				1760	2040	2360	2690	3040	3400	
M6ZL-0078-IAV	RFT26C1E-IAV				1760	2040	2360	2690	3040	3400	
M6ZL-H066-CAV	AFE23C5E-CAV				1790	2050	2340	2640	2960	3300	3640
M6ZL-H078-CAA	RFT26C1E-CAA				1880	2190	2530	2890	3270	3670	
M6ZL-H078-CAV	RFT26C1E-CAV				1880	2190	2530	2890	3270	3670	
M6ZL-H078-IAA	RFT26C1E-IAA				1880	2190	2530	2890	3270	3670	
M6ZL-H078-IAV	RFT26C1E-IAV				1880	2190	2530	2890	3270	3670	
M6ZL-H076-CAV	AFE26C5E-CAV				1990	2280	2600	2930	3280	3640	4000
M6GL-H079-CAA	RFT26C1E-CAA				1960	2300	2670	3070	3500	3960	
M6GL-H079-CAV	RFT26C1E-CAV				1960	2300	2670	3070	3500	3960	
M6KL-0123-CFA	RFT42C1E-PFA				3390	3710	4100	4570	5070	5610	
M6KL-0123-CFV	RFT42C1E-PFV				3390	3710	4100	4570	5070	5610	

Capacities rated at 40°F return gas, 5°F subcooling

R-448A Medium Temp/EMT

Copeland air-cooled condensing units

Model	Compressor	-10	-5	0	5	10	15	20	25	30
90° Ambient										
M6ZM-0048-IAA	ASE39C5E-IAA		2520	2630	2890	3240	3670	4120	4580	5000
M6ZP-0053-IAA	RST45C1E-IAA	1970	2280	2610	2960	3320	3720	4140	4590	5070
M6ZP-0053-IAV	RST45C1E-IAV	1970	2280	2610	2960	3320	3720	4140	4590	5070
M6ZM-H054-CAV	ASE39C5E-CAV	2090	2450	2830	3220	3610	3990	4370	4730	5070
M6ZP-H059-CAA	RST45C1E-CAA	2050	2370	2720	3090	3510	3950	4420	4930	5460
M6ZP-H059-CAV	RST45C1E-CAV	2050	2370	2720	3090	3510	3950	4420	4930	5460
M6GP-H064-CAA	RST45C1E-CAA	2120	2460	2830	3240	3690	4180	4710	5290	5900
M6GP-H064-CAV	RST45C1E-CAV	2120	2460	2830	3240	3690	4180	4710	5290	5900
M6KP-0064-CAA	RST45C1E-CAA	2120	2460	2840	3260	3710	4210	4750	5340	5970
M6KP-0064-CAV	RST45C1E-CAV	2120	2460	2840	3260	3710	4210	4750	5340	5970
M6GP-H074-CAA	RST55C1E-CAA	2680	3020	3440	3910	4440	5030	5660	6340	7060
M6GP-H074-CAV	RST55C1E-CAV	2680	3020	3440	3910	4440	5030	5660	6340	7060
M6KP-0075-CAA	RST55C1E-CAA	2690	3040	3460	3940	4490	5090	5740	6430	7170
M6KP-0075-CAV	RST55C1E-CAV	2690	3040	3460	3940	4490	5090	5740	6430	7170
M6ZP-H090-CFA	RST80C1E-PFA			4750	5310	5880	6470	7070	7680	
M6ZP-H090-CFV	RST80C1E-PFV			4750	5310	5880	6470	7070	7680	
M6GP-H090-CAV	RST64C1E-CAV		4020	4530	5090	5680	6310	6990	7720	8500
M6GP-H090-CFA	RST64C1E-CFA		4020	4530	5090	5680	6310	6990	7720	8500
M6KP-0095-CFV	RST70C1E-PFV	3440	3990	4580	5180	5810	6460	7140	7830	8530
M6KP-0092-CAV	RST64C1E-CAV	3550	4040	4570	5140	5740	6400	7100	7860	8670
M6KP-0092-CFA	RST64C1E-CFA	3550	4040	4570	5140	5740	6400	7100	7860	8670
M6KP-0102-CAV	RST64C1E-CAV	3790	4340	4950	5600	6330	7120	8000	8960	10000
M6KP-0102-CFA	RST64C1E-CFA	3790	4340	4950	5600	6330	7120	8000	8960	10000
M6KP-0106-CFV	RST80C1E-PFV		4660	5310	6000	6710	7460	8230	9020	9820
M6KP-0112-CFV	RST70C1E-PFV	3890	4500	5160	5860	6610	7410	8250	9140	10100
M6KP-0116-CFV	RST97C1E-PFV		5200	5890	6610	7350	8110	8870	9640	10400
M6KP-0127-CFV	RST80C1E-PFV	4470	5180	5940	6760	7620	8540	9490	10500	11500
M6KP-0142-CFV	RST97C1E-PFV	5040	5810	6620	7490	8410	9360	10300	11400	12400
M6KP-0064-CAV	RST45C1E-CAV	2120	2460	2840	3260	3710	4210	4750	5340	5970
M6GP-H074-CAA	RST55C1E-CAA	2680	3020	3440	3910	4440	5030	5660	6340	7060
M6GP-H074-CAV	RST55C1E-CAV	2680	3020	3440	3910	4440	5030	5660	6340	7060
M6KP-0075-CAA	RST55C1E-CAA	2690	3040	3460	3940	4490	5090	5740	6430	7170
M6KP-0075-CAV	RST55C1E-CAV	2690	3040	3460	3940	4490	5090	5740	6430	7170
M6ZP-H090-CFA	RST80C1E-PFA			4750	5310	5880	6470	7070	7680	
M6ZP-H090-CFV	RST80C1E-PFV			4750	5310	5880	6470	7070	7680	
M6GP-H090-CAV	RST64C1E-CAV		4020	4530	5090	5680	6310	6990	7720	8500
M6GP-H090-CFA	RST64C1E-CFA		4020	4530	5090	5680	6310	6990	7720	8500
M6KP-0095-CFV	RST70C1E-PFV	3440	3990	4580	5180	5810	6460	7140	7830	8530
M6KP-0092-CAV	RST64C1E-CAV	3550	4040	4570	5140	5740	6400	7100	7860	8670
M6KP-0092-CFA	RST64C1E-CFA	3550	4040	4570	5140	5740	6400	7100	7860	8670
M6KP-0102-CAV	RST64C1E-CAV	3790	4340	4950	5600	6330	7120	8000	8960	10000
M6KP-0102-CFA	RST64C1E-CFA	3790	4340	4950	5600	6330	7120	8000	8960	10000
M6KP-0106-CFV	RST80C1E-PFV		4660	5310	6000	6710	7460	8230	9020	9820
M6KP-0112-CFV	RST70C1E-PFV	3890	4500	5160	5860	6610	7410	8250	9140	10100
M6KP-0116-CFV	RST97C1E-PFV		5200	5890	6610	7350	8110	8870	9640	10400
M6KP-0127-CFV	RST80C1E-PFV	4470	5180	5940	6760	7620	8540	9490	10500	11500
M6KP-0142-CFV	RST97C1E-PFV	5040	5810	6620	7490	8410	9360	10300	11400	12400

Capacities rated at 40°F return gas, 5°F subcooling

R-448A Medium Temp/EMT

Copeland air-cooled condensing units

Model	Compressor	-10	-5	0	5	10	15	20	25	30
100° Ambient										
M6JM-0017-IAA	ASE12C4E-IAA		715	819	929	1050	1170	1300	1440	1580
M6JM-H020-IAA	ASE12C4E-IAA		730	856	990	1130	1280	1440	1610	1800
M6ZM-0021-IAA	ASE12C4E-IAA		731	861	999	1150	1300	1470	1650	1850
M6JM-H023-IAA	ASE14C4E-IAA		915	1060	1210	1360	1530	1700	1900	2100
M6QM-H025-IAA	ASE14C4E-IAA		918	1060	1210	1370	1540	1720	1910	2120
M6JM-H028-IAA	ASE20C4E-IAA			1430	1610	1780	1960	2150	2350	2570
M6JM-H028-IAV	ASE20C4E-IAV			1430	1610	1780	1960	2150	2350	2570
M6ZM-0031-IAA	ASE20C4E-IAA		1200	1400	1580	1770	1960	2160	2390	2630
M6ZM-H025-IAA	ASE14C4E-IAA			1440	1640	1830	2030	2240	2460	2710
M6ZM-0025-IAV	ASE20C4E-IAV			1440	1640	1830	2030	2240	2460	2710
M6ZM-H026-CAA	ASE20C4E-CAA		1210	1380	1570	1790	2030	2290	2560	2850
M6JM-H030-IAA	ASE24C5E-IAA		1300	1480	1670	1880	2100	2340	2600	2880
M6ZM-0032-IAA	ASE24C5E-IAA		1330	1510	1720	1940	2180	2450	2730	3030
M6ZM-H035-IAA	ASE24C5E-IAA		1350	1540	1750	1980	2230	2500	2790	3100
M6JM-H035-IAA	ASE28C5E-IAA			1780	1950	2170	2430	2730	3070	3450
M6JM-H035-IAV	ASE28C5E-IAV			1780	1950	2170	2430	2730	3070	3450
M6ZM-0038-IAA	ASE28C5E-IAA			1830	2020	2250	2530	2860	3240	3670
M6ZM-0038-IAV	ASE28C5E-IAV			1830	2020	2250	2530	2860	3240	3670
M6JM-H043-IAA	ASE39C5E-IAA				2510	2780	3120	3480	3840	
M6ZP-0053-IAA	RST45C1E-IAA			2370	2680	3010	3360	3730	4130	4560
M6ZP-0053-IAV	RST45C1E-IAV			2370	2680	3010	3360	3730	4130	4560
M6ZM-0048-IAA	ASE39C5E-IAA			2430	2640	2950	3340	3750	4170	4560
M6ZM-H054-CAV	ASE39C5E-CAV			2580	2940	3300	3660	4020	4360	4690
M6ZP-H059-CAA	RST45C1E-CAA			2440	2790	3160	3560	3990	4450	4940
M6ZP-H059-CAV	RST45C1E-CAV			2440	2790	3160	3560	3990	4450	4940
M6GP-H064-CAA	RST45C1E-CAA		2200	2550	2920	3330	3780	4270	4790	5360
M6GP-H064-CAV	RST45C1E-CAV		2200	2550	2920	3330	3780	4270	4790	5360
M6KP-0064-CAA	RST45C1E-CAA		2210	2550	2930	3350	3810	4310	4840	5420
M6KP-0064-CAV	RST45C1E-CAV		2210	2550	2930	3350	3810	4310	4840	5420
M6GP-H074-CAA	RST55C1E-CAA			3040	3480	3970	4510	5110	5740	6420
M6GP-H074-CAV	RST55C1E-CAV			3040	3480	3970	4510	5110	5740	6420
M6KP-0075-CAA	RST55C1E-CAA		2680	3060	3500	4010	4560	5170	5830	6520
M6KP-0075-CAV	RST55C1E-CAV		2680	3060	3500	4010	4560	5170	5830	6520
M6GP-H090-CAV	RST64C1E-CAV			4150	4650	5190	5770	6400	7070	7780
M6GP-H090-CFA	RST64C1E-CFA			4150	4650	5190	5770	6400	7070	7780
M6KP-0092-CAV	RST64C1E-CAV			4180	4700	5260	5860	6500	7200	7950
M6KP-0092-CFA	RST64C1E-CFA			4180	4700	5260	5860	6500	7200	7950
M6ZP-H090-CFA	RST80C1E-PFA					5350	5900			
M6ZP-H090-CFV	RST80C1E-PFV					5350	5900			
M6KP-0095-CFV	RST70C1E-PFV			4140	4720	5320	5930	6560	7200	7860
M6KP-0106-CFV	RST80C1E-PFV			4760	5400	6070	6760	7480	8230	8980
M6KP-0102-CAV	RST64C1E-CAV		3980	4540	5150	5810	6540	7350	8240	9210
M6KP-0102-CFA	RST64C1E-CFA		3980	4540	5150	5810	6540	7350	8240	9210
M6KP-0112-CFV	RST70C1E-PFV		4040	4670	5330	6030	6780	7560	8390	9260
M6KP-0116-CFV	RST97C1E-PFV				5990	6690	7400	8110	8820	
M6KP-0127-CFV	RST80C1E-PFV		4630	5340	6110	6920	7790	8690	9640	10600
M6KP-0142-CFV	RST97C1E-PFV		5230	6000	6820	7670	8560	9480	10400	11400

Capacities rated at 40°F return gas, 5°F subcooling

R-448A Medium Temp/EMT

Copeland air-cooled condensing units

Model	Compressor	-10	-5	0	5	10	15	20	25	30
110° Ambient										
M6JM-0017-IAA	ASE12C4E-IAA				818	931	1050	1170	1300	1440
M6JM-H020-IAA	ASE12C4E-IAA			779	900	1030	1160	1310	1460	1620
M6ZM-0021-IAA	ASE12C4E-IAA			767	893	1030	1170	1330	1490	1670
M6JM-H023-IAA	ASE14C4E-IAA			962	1100	1240	1390	1550	1730	1920
M6QM-H025-IAA	ASE14C4E-IAA			954	1090	1240	1390	1560	1740	1940
M6JM-H028-IAA	ASE20C4E-IAA						1770	1920	2080	2270
M6JM-H028-IAV	ASE20C4E-IAV						1770	1920	2080	2270
M6ZM-H026-CAA	ASE20C4E-CAA		1240	1410	1610	1830	2070	2320	2580	
M6ZM-0031-IAA	ASE20C4E-IAA				1470	1620	1780	1940	2130	2340
M6ZM-0025-IAA	ASE14C4E-IAA					1680	1840	2010	2200	2420
M6ZM-0025-IAV	ASE20C4E-IAV					1680	1840	2010	2200	2420
M6JM-H030-IAA	ASE24C5E-IAA				1500	1690	1890	2110	2340	2590
M6ZM-0032-IAA	ASE24C5E-IAA					1540	1740	1970	2210	2470
M6ZM-H035-IAA	ASE24C5E-IAA		1380	1570	1780	2000	2250	2520	2810	
M6JM-H035-IAA	ASE28C5E-IAA				1780	1980	2210	2480		
M6JM-H035-IAV	ASE28C5E-IAV				1780	1980	2210	2480		
M6ZM-0038-IAA	ASE28C5E-IAA				1840	2060	2320	2620	2960	3350
M6ZM-0038-IAV	ASE28C5E-IAV				1840	2060	2320	2620	2960	3350
M6JM-H043-IAA	ASE39C5E-IAA					2470				
M6ZP-0053-IAA	RST45C1E-IAA					2660	2970	3290		
M6ZP-0053-IAV	RST45C1E-IAV					2660	2970	3290		
M6ZM-0048-IAA	ASE39C5E-IAA				2390	2660	2990	3370		
M6ZP-H059-CAA	RST45C1E-CAA				2480	2810	3180	3570	3990	
M6ZP-H059-CAV	RST45C1E-CAV				2480	2810	3180	3570	3990	
M6GP-H064-CAA	RST45C1E-CAA				2610	2980	3390	3830	4310	4820
M6GP-H064-CAV	RST45C1E-CAV				2610	2980	3390	3830	4310	4820
M6KP-0064-CAA	RST45C1E-CAA				2620	3000	3420	3870	4360	4890
M6KP-0064-CAV	RST45C1E-CAV				2620	3000	3420	3870	4360	4890
M6ZM-H054-CAV	ASE39C5E-CAV				2690	3020	3370	3710	4040	
M6GP-H074-CAA	RST55C1E-CAA				3090	3540	4050	4600	5200	5850
M6GP-H074-CAV	RST55C1E-CAV				3090	3540	4050	4600	5200	5850
M6KP-0075-CAA	RST55C1E-CAA				3110	3570	4090	4660	5280	5940
M6KP-0075-CAV	RST55C1E-CAV				3110	3570	4090	4660	5280	5940
M6GP-H090-CAV	RST64C1E-CAV					4720	5250	5810		
M6GP-H090-CFA	RST64C1E-CFA					4720	5250	5810		
M6KP-0092-CAV	RST64C1E-CAV				4280	4780	5330	5920		
M6KP-0092-CFA	RST64C1E-CFA				4280	4780	5330	5920		
M6KP-0095-CFV	RST70C1E-PFV					4250	4820	5390	5980	6580
M6KP-0102-CAV	RST64C1E-CAV			4060	4620	5220	5890	6640	7460	8360
M6KP-0102-CFA	RST64C1E-CFA			4060	4620	5220	5890	6640	7460	8360
M6KP-0112-CFV	RST70C1E-PFV			4060	4690	5350	6050	6790	7580	8390
M6KP-0106-CFV	RST80C1E-PFV					5440	6080			
M6KP-0116-CFV	RST97C1E-PFV					6040				
M6KP-0127-CFV	RST80C1E-PFV				5370	6130	6950	7810	8710	9650
M6KP-0142-CFV	RST97C1E-PFV				6060	6870	7720	8590	9480	10400

Capacities rated at 40°F return gas, 5°F subcooling

R-449A Low Temp

Copeland air-cooled condensing units

Model	Compressor	-30	-25	-20	-15	-10	-5	0	5	10	15
90° Ambient											
M6JL-0021-IAA	AFE08C4E-IAA		610	689	784	891	1010	1140	1280	1420	1570
M6JL-H023-IAA	AFE08C4E-IAA		611	700	806	928	1070	1220	1380	1550	1730
M6JL-0026-IAA	AFE11C4E-IAA		698	789	897	1020	1150	1300	1450	1610	1780
M6JL-H030-IAA	AFE11C4E-IAA		711	814	937	1080	1240	1410	1590	1790	1990
M6QL-H032-IAA	AFE11C4E-IAA		711	814	938	1080	1240	1420	1600	1800	2010
M6ZL-0031-IAA	AFE11C4E-IAA		712	816	942	1090	1250	1430	1620	1830	2050
M6JL-H038-IAA	AFE13C4E-IAA		917	1050	1200	1380	1580	1800	2020	2260	2510
M6ZL-0040-IAA	AFE13C4E-IAA		923	1060	1220	1400	1610	1840	2080	2340	2610
M6JL-0039-IAA	AFE17C4E-IAA		1060	1190	1330	1500	1680	1880	2080	2290	2500
M6JL-0039-IAV	AFE17C4E-IAV		1060	1190	1330	1500	1680	1880	2080	2290	2500
M6ZL-0042-IAA	AFE14C5E-IAA		1040	1180	1350	1530	1730	1950	2190	2440	2700
M6ZL-0042-IAV	AFE14C5E-IAV		1040	1180	1350	1530	1730	1950	2190	2440	2700
M6JL-H041-IAA	AFE14C5E-IAA		1030	1190	1370	1570	1790	2020	2260	2510	2770
M6JL-H041-IAV	AFE14C5E-IAV		1030	1190	1370	1570	1790	2020	2260	2510	2770
M6JL-H048-IAA	AFE17C4E-IAA		1140	1300	1490	1710	1940	2180	2440	2700	2960
M6JL-H048-IAV	AFE17C4E-IAV		1140	1300	1490	1710	1940	2180	2440	2700	2960
M6JL-H052-IAA	AFE20C5E-IAA		1350	1560	1790	2040	2310	2590	2880	3170	3470
M6JL-H052-IAV	AFE20C5E-IAV		1350	1560	1790	2040	2310	2590	2880	3170	3470
M6ZL-0055-IAA	AFE20C5E-IAA		1380	1600	1840	2110	2400	2710	3040	3370	3710
M6ZL-0055-IAV	AFE20C5E-IAV		1380	1600	1840	2110	2400	2710	3040	3370	3710
M6ZL-H064-CAA	RFT22C1E-CAA	1160	1350	1570	1840	2140	2470	2830	3220	3630	
M6ZL-H064-CAV	RFT22C1E-CAV	1160	1350	1570	1840	2140	2470	2830	3220	3630	
M6ZL-H064-IAA	RFT22C1E-IAA	1160	1350	1570	1840	2140	2470	2830	3220	3630	
M6ZL-H064-IAV	RFT22C1E-IAV	1160	1350	1570	1840	2140	2470	2830	3220	3630	
M6ZL-0063-IAA	RFT22C1E-IAA	1170	1360	1590	1850	2150	2480	2840	3220	3620	
M6ZL-0063-IAV	RFT22C1E-IAV	1170	1360	1590	1850	2150	2480	2840	3220	3620	
M6GL-H070-CAA	RFT22C1E-CAA	1240	1440	1680	1970	2300	2670	3070	3500	3960	
M6GL-H070-CAV	RFT22C1E-CAV	1240	1440	1680	1970	2300	2670	3070	3500	3960	
M6ZL-H066-CAV	AFE23C5E-CAV		1630	1880	2160	2480	2810	3170	3550	3950	4360
M6ZL-0078-IAA	RFT26C1E-IAA	1400	1620	1890	2200	2550	2930	3340	3770	4210	
M6ZL-0078-IAV	RFT26C1E-IAV	1400	1620	1890	2200	2550	2930	3340	3770	4210	
M6ZL-H078-CAA	RFT26C1E-CAA	1490	1730	2020	2350	2720	3130	3570	4030	4520	
M6ZL-H078-CAV	RFT26C1E-CAV	1490	1730	2020	2350	2720	3130	3570	4030	4520	
M6ZL-H078-IAA	RFT26C1E-IAA	1490	1730	2020	2350	2720	3130	3570	4030	4520	
M6ZL-H078-IAV	RFT26C1E-IAV	1490	1730	2020	2350	2720	3130	3570	4030	4520	
M6ZL-H076-CAV	AFE26C5E-CAV		1810	2090	2410	2750	3130	3520	3940	4370	4810
M6GL-H079-CAA	RFT26C1E-CAA	1530	1770	2070	2420	2820	3260	3740	4260	4800	
M6GL-H079-CAV	RFT26C1E-CAV	1530	1770	2070	2420	2820	3260	3740	4260	4800	
M6ZL-0098-CFV	RST80C1E-PFV							5140	5700	6260	
M6KL-0123-CFA	RFT42C1E-PFA	2660	2910	3270	3730	4250	4840	5460	6110	6780	
M6KL-0123-CFV	RFT42C1E-PFV	2660	2910	3270	3730	4250	4840	5460	6110	6780	

Capacities rated at 40°F return gas, 5°F subcooling

R-449A Low Temp

Copeland air-cooled condensing units

Model	Compressor	-30	-25	-20	-15	-10	-5	0	5	10	15
100° Ambient											
M6JL-0021-IAA	AFE08C4E-IAA		559	633	720	819	928	1050	1170	1300	1430
M6JL-H023-IAA	AFE08C4E-IAA		554	638	738	853	980	1120	1270	1430	1590
M6JL-0026-IAA	AFE11C4E-IAA		636	720	820	933	1060	1190	1330	1470	1620
M6JL-H030-IAA	AFE11C4E-IAA		644	742	858	990	1140	1300	1470	1650	1830
M6QL-H032-IAA	AFE11C4E-IAA		644	743	859	993	1140	1300	1480	1660	1850
M6ZL-0031-IAA	AFE11C4E-IAA		643	743	862	998	1150	1320	1490	1680	1880
M6JL-H038-IAA	AFE13C4E-IAA		827	952	1100	1270	1450	1650	1860	2080	2310
M6ZL-0040-IAA	AFE13C4E-IAA		832	961	1110	1290	1480	1690	1920	2150	2400
M6JL-0039-IAA	AFE17C4E-IAA				1210	1360	1520	1690			
M6JL-0039-IAV	AFE17C4E-IAV				1210	1360	1520	1690			
M6ZL-0042-IAA	AFE14C5E-IAA		931	1070	1230	1410	1600	1800	2020	2250	2490
M6ZL-0042-IAV	AFE14C5E-IAV		931	1070	1230	1410	1600	1800	2020	2250	2490
M6JL-H041-IAA	AFE14C5E-IAA		923	1070	1240	1420	1620	1830	2060	2290	2530
M6JL-H041-IAV	AFE14C5E-IAV		923	1070	1240	1420	1620	1830	2060	2290	2530
M6JL-H048-IAA	AFE17C4E-IAA		1050	1190	1360	1550	1760	1990	2230	2470	2720
M6JL-H048-IAV	AFE17C4E-IAV		1050	1190	1360	1550	1760	1990	2230	2470	2720
M6JL-H052-IAA	AFE20C5E-IAA		1220	1410	1620	1850	2100	2350	2610	2880	3140
M6JL-H052-IAV	AFE20C5E-IAV		1220	1410	1620	1850	2100	2350	2610	2880	3140
M6ZL-0055-IAA	AFE20C5E-IAA		1240	1440	1670	1910	2180	2460	2750	3050	3360
M6ZL-0055-IAV	AFE20C5E-IAV		1240	1440	1670	1910	2180	2460	2750	3050	3360
M6ZL-0063-IAA	RFT22C1E-IAA		1220	1430	1680	1950	2250	2580	2930	3290	
M6ZL-0063-IAV	RFT22C1E-IAV		1220	1430	1680	1950	2250	2580	2930	3290	
M6ZL-H064-CAA	RFT22C1E-CAA		1210	1420	1670	1950	2250	2580	2940	3310	
M6ZL-H064-CAV	RFT22C1E-CAV		1210	1420	1670	1950	2250	2580	2940	3310	
M6ZL-H064-IAA	RFT22C1E-IAA		1210	1420	1670	1950	2250	2580	2940	3310	
M6ZL-H064-IAV	RFT22C1E-IAV		1210	1420	1670	1950	2250	2580	2940	3310	
M6GL-H070-CAA	RFT22C1E-CAA		1290	1520	1790	2100	2430	2810	3200	3630	
M6GL-H070-CAV	RFT22C1E-CAV		1290	1520	1790	2100	2430	2810	3200	3630	
M6ZL-H066-CAV	AFE23C5E-CAV		1480	1710	1970	2260	2570	2910	3260	3620	4000
M6ZL-0078-IAA	RFT26C1E-IAA			1700	1990	2300	2650	3020	3410	3820	
M6ZL-0078-IAV	RFT26C1E-IAV			1700	1990	2300	2650	3020	3410	3820	
M6ZL-H078-CAA	RFT26C1E-CAA		1550	1820	2120	2470	2840	3240	3670	4100	
M6ZL-H078-CAV	RFT26C1E-CAV		1550	1820	2120	2470	2840	3240	3670	4100	
M6ZL-H078-IAA	RFT26C1E-IAA		1550	1820	2120	2470	2840	3240	3670	4100	
M6ZL-H078-IAV	RFT26C1E-IAV		1550	1820	2120	2470	2840	3240	3670	4100	
M6ZL-H076-CAV	AFE26C5E-CAV		1640	1900	2190	2510	2860	3220	3600	4000	4400
M6GL-H079-CAA	RFT26C1E-CAA		1600	1870	2200	2570	2970	3420	3890	4390	
M6GL-H079-CAV	RFT26C1E-CAV		1600	1870	2200	2570	2970	3420	3890	4390	
M6ZL-0098-CFV	RST80C1E-PFV									5190	
M6KL-0123-CFA	RFT42C1E-PFA			3150	3500	3930	4430	4980	5570	6170	
M6KL-0123-CFV	RFT42C1E-PFV			3150	3500	3930	4430	4980	5570	6170	

Capacities rated at 40°F return gas, 5°F subcooling

R-449A Low Temp

Copeland air-cooled condensing units

Model	Compressor	-30	-25	-20	-15	-10	-5	0	5	10	15
110° Ambient											
M6JL-0021-IAA	AFE08C4E-IAA				614	713	821	936	1060	1180	1300
M6JL-H023-IAA	AFE08C4E-IAA		502	583	678	785	903	1030	1170	1310	1460
M6JL-0026-IAA	AFE11C4E-IAA				701	814	936	1060	1200	1330	
M6QL-H032-IAA	AFE11C4E-IAA			657	769	896	1040	1190	1350	1510	1690
M6ZL-0031-IAA	AFE11C4E-IAA			656	771	901	1040	1200	1360	1540	1720
M6JL-H030-IAA	AFE11C4E-IAA		580	674	783	906	1040	1190	1340	1510	1670
M6JL-H038-IAA	AFE13C4E-IAA			853	991	1150	1320	1500	1690	1890	2090
M6ZL-0040-IAA	AFE13C4E-IAA			845	992	1160	1340	1540	1750	1970	2190
M6ZL-0042-IAA	AFE14C5E-IAA			943	1100	1270	1450	1640	1840	2050	2270
M6ZL-0042-IAV	AFE14C5E-IAV			943	1100	1270	1450	1640	1840	2050	2270
M6JL-H041-IAA	AFE14C5E-IAA			970	1120	1290	1470	1660	1870	2080	2300
M6JL-H041-IAV	AFE14C5E-IAV			970	1120	1290	1470	1660	1870	2080	2300
M6JL-H048-IAA	AFE17C4E-IAA				1230	1400	1590	1790	2010	2230	
M6JL-H048-IAV	AFE17C4E-IAV				1230	1400	1590	1790	2010	2230	
M6JL-H052-IAA	AFE20C5E-IAA				1470	1680	1900	2130	2360	2600	
M6JL-H052-IAV	AFE20C5E-IAV				1470	1680	1900	2130	2360	2600	
M6ZL-0055-IAA	AFE20C5E-IAA				1510	1730	1980	2230	2490	2760	3030
M6ZL-0055-IAV	AFE20C5E-IAV				1510	1730	1980	2230	2490	2760	3030
M6ZL-0063-IAA	RFT22C1E-IAA				1490	1740	2010	2310	2620	2950	
M6ZL-0063-IAV	RFT22C1E-IAV				1490	1740	2010	2310	2620	2950	
M6ZL-H064-CAA	RFT22C1E-CAA				1490	1740	2020	2320	2640	2970	
M6ZL-H064-CAV	RFT22C1E-CAV				1490	1740	2020	2320	2640	2970	
M6ZL-H064-IAA	RFT22C1E-IAA				1490	1740	2020	2320	2640	2970	
M6ZL-H064-IAV	RFT22C1E-IAV				1490	1740	2020	2320	2640	2970	
M6GL-H070-CAA	RFT22C1E-CAA			1360	1600	1880	2190	2530	2890	3280	
M6GL-H070-CAV	RFT22C1E-CAV			1360	1600	1880	2190	2530	2890	3280	
M6ZL-0078-IAA	RFT26C1E-IAA				1760	2040	2360	2690	3040	3400	
M6ZL-0078-IAV	RFT26C1E-IAV				1760	2040	2360	2690	3040	3400	
M6ZL-H066-CAV	AFE23C5E-CAV				1790	2050	2340	2640	2970	3300	3640
M6ZL-H078-CAA	RFT26C1E-CAA				1880	2190	2530	2890	3270	3670	
M6ZL-H078-CAV	RFT26C1E-CAV				1880	2190	2530	2890	3270	3670	
M6ZL-H078-IAA	RFT26C1E-IAA				1880	2190	2530	2890	3270	3670	
M6ZL-H078-IAV	RFT26C1E-IAV				1880	2190	2530	2890	3270	3670	
M6ZL-H076-CAV	AFE26C5E-CAV				1990	2280	2600	2930	3280	3640	4000
M6GL-H079-CAA	RFT26C1E-CAA				1960	2300	2670	3070	3500	3960	
M6GL-H079-CAV	RFT26C1E-CAV				1960	2300	2670	3070	3500	3960	
M6KL-0123-CFA	RFT42C1E-PFA				3390	3710	4100	4560	5070	5600	
M6KL-0123-CFV	RFT42C1E-PFV				3390	3710	4100	4560	5070	5600	

Capacities rated at 40°F return gas, 5°F subcooling

R-449A Medium Temp/EMT

Copeland air-cooled condensing units

Model	Compressor	-10	-5	0	5	10	15	20	25	30
90° Ambient										
M6JM-0017-IAA	ASE12C4E-IAA	681	791	907	1030	1160	1300	1440	1590	1750
M6JM-H020-IAA	ASE12C4E-IAA	690	818	954	1100	1250	1420	1590	1780	1980
M6ZM-0021-IAA	ASE12C4E-IAA	689	820	960	1110	1270	1440	1630	1820	2030
M6JM-H023-IAA	ASE14C4E-IAA	859	1010	1170	1330	1500	1680	1870	2080	2300
M6QM-H025-IAA	ASE14C4E-IAA	860	1010	1170	1330	1510	1690	1890	2100	2320
M6JM-H028-IAA	ASE20C4E-IAA			1510	1730	1940	2150	2370	2610	2860
M6JM-H028-IAV	ASE20C4E-IAV			1510	1730	1940	2150	2370	2610	2860
M6ZM-0031-IAA	ASE20C4E-IAA	984	1240	1480	1700	1920	2150	2390	2640	2920
M6ZM-0025-IAA	ASE14C4E-IAA			1530	1760	1990	2220	2470	2730	3010
M6ZM-0025-IAV	ASE20C4E-IAV			1530	1760	1990	2220	2470	2730	3010
M6ZM-H026-CAA	ASE20C4E-CAA	1170	1330	1520	1740	1980	2240	2520	2810	3110
M6JM-H030-IAA	ASE24C5E-IAA	1270	1450	1640	1850	2080	2320	2580	2860	3160
M6ZM-0032-IAA	ASE24C5E-IAA	1290	1470	1680	1900	2150	2410	2690	3000	3320
M6ZM-H035-IAA	ASE24C5E-IAA	1300	1490	1700	1930	2180	2450	2740	3060	3390
M6JM-H035-IAA	ASE28C5E-IAA	1710	1800	1940	2130	2360	2640	2970	3350	3770
M6JM-H035-IAV	ASE28C5E-IAV	1710	1800	1940	2130	2360	2640	2970	3350	3770
M6ZM-0038-IAA	ASE28C5E-IAA	1760	1850	2000	2190	2440	2750	3110	3530	3990
M6ZM-0038-IAV	ASE28C5E-IAV	1760	1850	2000	2190	2440	2750	3110	3530	3990
M6JM-H043-IAA	ASE39C5E-IAA		2450	2540	2760	3070	3450	3850	4250	4620
M6ZM-0048-IAA	ASE39C5E-IAA		2520	2640	2890	3250	3670	4120	4580	5000
M6ZP-0053-IAA	RST45C1E-IAA	1970	2280	2610	2960	3330	3720	4140	4590	5070
M6ZP-0053-IAV	RST45C1E-IAV	1970	2280	2610	2960	3330	3720	4140	4590	5070
M6ZM-H054-CAV	ASE39C5E-CAV	2090	2450	2830	3220	3610	3990	4370	4730	5070
M6ZP-H059-CAA	RST45C1E-CAA	2060	2370	2720	3100	3510	3950	4420	4930	5460
M6ZP-H059-CAV	RST45C1E-CAV	2060	2370	2720	3100	3510	3950	4420	4930	5460
M6GP-H064-CAA	RST45C1E-CAA	2120	2460	2830	3240	3690	4180	4720	5290	5900
M6GP-H064-CAV	RST45C1E-CAV	2120	2460	2830	3240	3690	4180	4720	5290	5900
M6KP-0064-CAA	RST45C1E-CAA	2130	2470	2840	3260	3720	4210	4760	5340	5970
M6KP-0064-CAV	RST45C1E-CAV	2130	2470	2840	3260	3720	4210	4760	5340	5970
M6GP-H074-CAA	RST55C1E-CAA	2680	3030	3440	3910	4450	5030	5660	6340	7050
M6GP-H074-CAV	RST55C1E-CAV	2680	3030	3440	3910	4450	5030	5660	6340	7050
M6KP-0075-CAA	RST55C1E-CAA	2690	3040	3460	3950	4490	5090	5740	6430	7170
M6KP-0075-CAV	RST55C1E-CAV	2690	3040	3460	3950	4490	5090	5740	6430	7170
M6ZP-H090-CFA	RST80C1E-PFA			4750	5310	5880	6460	7060	7670	
M6ZP-H090-CFV	RST80C1E-PFV			4750	5310	5880	6460	7060	7670	
M6GP-H090-CAV	RST64C1E-CAV		4020	4540	5090	5680	6310	6990	7720	8490
M6GP-H090-CFA	RST64C1E-CFA		4020	4540	5090	5680	6310	6990	7720	8490
M6KP-0095-CFV	RST70C1E-PFV	3450	4000	4580	5180	5810	6460	7140	7820	8530
M6KP-0092-CAV	RST64C1E-CAV	3550	4050	4570	5140	5740	6400	7100	7850	8660
M6KP-0092-CFA	RST64C1E-CFA	3550	4050	4570	5140	5740	6400	7100	7850	8660
M6KP-0102-CAV	RST64C1E-CAV	3800	4350	4960	5610	6340	7130	8010	8970	10000
M6KP-0102-CFA	RST64C1E-CFA	3800	4350	4960	5610	6340	7130	8010	8970	10000
M6KP-0106-CFV	RST80C1E-PFV		4660	5310	6000	6710	7460	8220	9010	9810
M6KP-0112-CFV	RST70C1E-PFV	3900	4510	5170	5870	6620	7420	8260	9140	10100
M6KP-0116-CFV	RST97C1E-PFV		5200	5890	6610	7350	8110	8870	9630	10400
M6KP-0127-CFV	RST80C1E-PFV	4480	5190	5950	6760	7630	8540	9500	10500	11500
M6KP-0142-CFV	RST97C1E-PFV	5060	5820	6630	7500	8410	9360	10300	11400	12400

Capacities rated at 40°F return gas, 5°F subcooling

R-449A Medium Temp/EMT

Copeland air-cooled condensing units

Model	Compressor	-10	-5	0	5	10	15	20	25	30
100° Ambient										
M6JM-0017-IAA	ASE12C4E-IAA		712	818	930	1050	1170	1300	1440	1590
M6JM-H020-IAA	ASE12C4E-IAA		732	858	992	1130	1290	1450	1620	1800
M6ZM-0021-IAA	ASE12C4E-IAA		733	862	1000	1150	1310	1480	1660	1850
M6JM-H023-IAA	ASE14C4E-IAA		917	1060	1210	1360	1530	1710	1900	2100
M6QM-H025-IAA	ASE14C4E-IAA		919	1060	1210	1370	1540	1720	1920	2130
M6JM-H028-IAA	ASE20C4E-IAA			1430	1610	1790	1960	2150	2350	2570
M6JM-H028-IAV	ASE20C4E-IAV			1430	1610	1790	1960	2150	2350	2570
M6ZM-0031-IAA	ASE20C4E-IAA	1200		1400	1590	1770	1960	2170	2390	2630
M6ZM-H025-IAA	ASE14C4E-IAA			1450	1640	1830	2030	2240	2460	2710
M6ZM-0025-IAV	ASE20C4E-IAV			1450	1640	1830	2030	2240	2460	2710
M6ZM-H026-CAA	ASE20C4E-CAA		1210	1380	1580	1790	2030	2290	2560	2850
M6JM-H030-IAA	ASE24C5E-IAA		1310	1480	1670	1880	2110	2350	2610	2880
M6ZM-0032-IAA	ASE24C5E-IAA		1330	1510	1720	1940	2190	2450	2730	3030
M6ZM-H035-IAA	ASE24C5E-IAA		1350	1540	1750	1980	2230	2500	2790	3100
M6JM-H035-IAA	ASE28C5E-IAA			1780	1950	2170	2430	2730	3070	3450
M6JM-H035-IAV	ASE28C5E-IAV			1780	1950	2170	2430	2730	3070	3450
M6ZM-0038-IAA	ASE28C5E-IAA			1830	2020	2250	2530	2860	3240	3670
M6ZM-0038-IAV	ASE28C5E-IAV			1830	2020	2250	2530	2860	3240	3670
M6JM-H043-IAA	ASE39C5E-IAA				2510	2790	3120	3480	3840	
M6ZP-0053-IAA	RST45C1E-IAA			2370	2680	3010	3360	3730	4130	4550
M6ZP-0053-IAV	RST45C1E-IAV			2370	2680	3010	3360	3730	4130	4550
M6ZM-0048-IAA	ASE39C5E-IAA			2430	2640	2950	3340	3750	4170	4560
M6ZM-H054-CAV	ASE39C5E-CAV			2590	2940	3300	3660	4020	4360	4690
M6ZP-H059-CAA	RST45C1E-CAA			2440	2790	3160	3560	3990	4450	4940
M6ZP-H059-CAV	RST45C1E-CAV			2440	2790	3160	3560	3990	4450	4940
M6GP-H064-CAA	RST45C1E-CAA		2210	2550	2920	3330	3780	4270	4790	5360
M6GP-H064-CAV	RST45C1E-CAV		2210	2550	2920	3330	3780	4270	4790	5360
M6KP-0064-CAA	RST45C1E-CAA		2210	2560	2940	3360	3810	4310	4840	5420
M6KP-0064-CAV	RST45C1E-CAV		2210	2560	2940	3360	3810	4310	4840	5420
M6GP-H074-CAA	RST55C1E-CAA			3050	3480	3970	4510	5110	5740	6420
M6GP-H074-CAV	RST55C1E-CAV			3050	3480	3970	4510	5110	5740	6420
M6KP-0075-CAA	RST55C1E-CAA		2690	3070	3510	4010	4560	5170	5830	6520
M6KP-0075-CAV	RST55C1E-CAV		2690	3070	3510	4010	4560	5170	5830	6520
M6GP-H090-CAV	RST64C1E-CAV			4150	4660	5190	5770	6400	7060	7770
M6GP-H090-CFA	RST64C1E-CFA			4150	4660	5190	5770	6400	7060	7770
M6KP-0092-CAV	RST64C1E-CAV			4180	4700	5260	5860	6500	7190	7940
M6KP-0092-CFA	RST64C1E-CFA			4180	4700	5260	5860	6500	7190	7940
M6ZP-H090-CFA	RST80C1E-PFA					5350	5900			
M6ZP-H090-CFV	RST80C1E-PFV					5350	5900			
M6KP-0095-CFV	RST70C1E-PFV			4150	4720	5320	5930	6560	7200	7860
M6KP-0102-CAV	RST64C1E-CAV		3940	4500	5100	5770	6500	7310	8200	9180
M6KP-0102-CFA	RST64C1E-CFA		3940	4500	5100	5770	6500	7310	8200	9180
M6KP-0106-CFV	RST80C1E-PFV			4760	5400	6060	6760	7480	8220	8970
M6KP-0112-CFV	RST70C1E-PFV		3990	4610	5280	5980	6730	7520	8350	9230
M6KP-0116-CFV	RST97C1E-PFV				5990	6690	7390	8110	8810	
M6KP-0127-CFV	RST80C1E-PFV		4570	5290	6060	6880	7740	8660	9610	10600
M6KP-0142-CFV	RST97C1E-PFV		5170	5950	6770	7630	8530	9460	10400	11400

Capacities rated at 40°F return gas, 5°F subcooling

R-449A Medium Temp/EMT

Copeland air-cooled condensing units

Model	Compressor	-10	-5	0	5	10	15	20	25	30
110° Ambient										
M6JM-0017-IAA	ASE12C4E-IAA				820	933	1050	1180	1300	1440
M6JM-H020-IAA	ASE12C4E-IAA			780	901	1030	1170	1310	1460	1630
M6ZM-0021-IAA	ASE12C4E-IAA			768	895	1030	1170	1330	1490	1670
M6JM-H023-IAA	ASE14C4E-IAA			964	1100	1240	1390	1560	1730	1920
M6QM-H025-IAA	ASE14C4E-IAA			955	1090	1240	1400	1560	1740	1940
M6JM-H028-IAA	ASE20C4E-IAA						1780	1920	2090	2270
M6JM-H028-IAV	ASE20C4E-IAV						1780	1920	2090	2270
M6ZM-0031-IAA	ASE20C4E-IAA				1470	1620	1780	1950	2130	2340
M6ZM-0025-IAA	ASE14C4E-IAA					1680	1840	2010	2200	2420
M6ZM-0025-IAV	ASE20C4E-IAV					1680	1840	2010	2200	2420
M6ZM-H026-CAA	ASE20C4E-CAA			1240	1410	1610	1830	2070	2320	2580
M6JM-H030-IAA	ASE24C5E-IAA				1510	1690	1890	2110	2340	2590
M6ZM-0032-IAA	ASE24C5E-IAA				1540	1750	1970	2210	2470	2750
M6ZM-H035-IAA	ASE24C5E-IAA			1380	1570	1780	2010	2250	2520	2810
M6JM-H035-IAA	ASE28C5E-IAA				1780	1980	2210	2480		
M6JM-H035-IAV	ASE28C5E-IAV				1780	1980	2210	2480		
M6ZM-0038-IAA	ASE28C5E-IAA				1840	2060	2320	2620	2960	3350
M6ZM-0038-IAV	ASE28C5E-IAV				1840	2060	2320	2620	2960	3350
M6JM-H043-IAA	ASE39C5E-IAA					2480				
M6ZP-0053-IAA	RST45C1E-IAA					2660	2960	3290		
M6ZP-0053-IAV	RST45C1E-IAV					2660	2960	3290		
M6ZM-0048-IAA	ASE39C5E-IAA				2390	2660	2990	3370		
M6ZP-H059-CAA	RST45C1E-CAA				2480	2820	3180	3570	3980	
M6ZP-H059-CAV	RST45C1E-CAV				2480	2820	3180	3570	3980	
M6ZM-H054-CAV	ASE39C5E-CAV				2690	3020	3370	3710	4040	
M6GP-H064-CAA	RST45C1E-CAA				2610	2980	3390	3830	4310	4820
M6GP-H064-CAV	RST45C1E-CAV				2610	2980	3390	3830	4310	4820
M6KP-0064-CAA	RST45C1E-CAA				2620	3000	3420	3870	4360	4890
M6KP-0064-CAV	RST45C1E-CAV				2620	3000	3420	3870	4360	4890
M6GP-H074-CAA	RST55C1E-CAA				3090	3540	4050	4600	5200	5850
M6GP-H074-CAV	RST55C1E-CAV				3090	3540	4050	4600	5200	5850
M6KP-0075-CAA	RST55C1E-CAA				3110	3570	4090	4660	5270	5930
M6KP-0075-CAV	RST55C1E-CAV				3110	3570	4090	4660	5270	5930
M6GP-H090-CAV	RST64C1E-CAV					4720	5240	5810		
M6GP-H090-CFA	RST64C1E-CFA					4720	5240	5810		
M6KP-0092-CAV	RST64C1E-CAV					4780	5330	5910		
M6KP-0092-CFA	RST64C1E-CFA					4780	5330	5910		
M6KP-0095-CFV	RST70C1E-PFV				4250	4820	5390	5980	6580	
M6KP-0102-CAV	RST64C1E-CAV			4120	4680	5290	5950	6690	7500	8400
M6KP-0102-CFA	RST64C1E-CFA			4120	4680	5290	5950	6690	7500	8400
M6KP-0106-CFV	RST80C1E-PFV					5430	6080			
M6KP-0112-CFV	RST70C1E-PFV			4140	4760	5420	6120	6850	7620	8430
M6KP-0116-CFV	RST97C1E-PFV					6030				
M6KP-0127-CFV	RST80C1E-PFV			4730	5440	6200	7010	7850	8740	9660
M6KP-0142-CFV	RST97C1E-PFV				6120	6930	7760	8620	9500	10400

Capacities rated at 40°F return gas, 5°F subcooling

R-450A Medium Temp/EMT

Copeland air-cooled condensing units

Model	Compressor	-25	-20	-15	-10	-5	0	5	10	15	20	25	30
90° Ambient													
M7JM-0019-IAA	AFE05C4E-IAA	406	487	574	669	771	883	1000	1140	1280	1430		
M7JM-H020-IAA	AFE05C4E-IAA	424	509	601	702	810	929	1060	1200	1350	1510		
M7JP-0020-IAA	AFF07C1E-IAA	451	531	617	709	808	916	1030	1160	1300	1440	1600	
M7ZP-0021-IAA	AFE05C4E-IAA	428	515	609	711	821	942	1070	1210	1370	1540		
M7JP-0029-IAA	AFF10C1E-IAA	682	807	939	1080	1230	1390	1560	1750	1940	2150	2370	
M7JP-0031-IAA	AFF13C1E-IAA	790	934	1090	1250	1420	1600	1790	2000	2210	2440	2680	
M7JL-0034-IAA	AFE12C4E-IAA	871	1010	1160	1340	1530	1730	1940	2160	2380	2600		
M7JM-H036-IAA	AFE12C4E-IAA	920	1070	1240	1430	1650	1880	2130	2390	2670	2960		
M7ZP-0041-IAA	AFE12C4E-IAA	935	1090	1260	1460	1690	1930	2190	2470	2760	3070		
M7ZM-0043-IAA	AFE13C5E-IAA	949	1110	1300	1510	1740	1980	2250	2540	2840	3150		
M7ZP-H062-CFA	RFT18C1E-PFA	1360	1670	2000	2330	2670	3030	3390	3760	4150	4540	4950	5360
M7GP-H066-CFA	RFT18C1E-PFA	1400	1720	2060	2410	2770	3140	3530	3930	4350	4780	5220	5680
100° Ambient													
M7JM-0019-IAA	AFE05C4E-IAA	365	439	520	608	705	811	927	1050	1190	1340		
M7JM-H020-IAA	AFE05C4E-IAA	382	461	547	641	744	858	981	1120	1260	1420		
M7ZP-0021-IAA	AFE05C4E-IAA	387	467	555	651	756	872	998	1140	1290	1450		
M7JP-0020-IAA	AFF07C1E-IAA	414	493	576	664	758	859	969	1090	1210	1350	1500	
M7JP-0029-IAA	AFF10C1E-IAA	621	743	870	1000	1150	1300	1460	1630	1810	2000	2200	
M7JP-0031-IAA	AFF13C1E-IAA	717	858	1000	1160	1320	1490	1670	1850	2050	2260	2480	
M7JL-0034-IAA	AFE12C4E-IAA	809	933	1080	1230	1410	1590	1780	1970	2170			
M7JM-H036-IAA	AFE12C4E-IAA	851	989	1150	1330	1530	1750	1980	2220	2480	2740		
M7ZP-0041-IAA	AFE12C4E-IAA	865	1010	1170	1360	1570	1800	2040	2300	2580	2860		
M7ZM-0043-IAA	AFE13C5E-IAA	873	1030	1200	1400	1610	1840	2090	2360	2640	2930		
M7ZP-H062-CFA	RFT18C1E-PFA	1160	1470	1780	2110	2440	2780	3130	3490	3850	4230	4610	5010
M7GP-H066-CFA	RFT18C1E-PFA	1210	1530	1860	2190	2540	2900	3270	3650	4040	4450	4870	5300
110° Ambient													
M7JM-0019-IAA	AFE05C4E-IAA	321	388	462	544	634	734	844	965	1100	1240		
M7JM-H020-IAA	AFE05C4E-IAA	336	407	486	574	672	780	899	1030	1170	1330		
M7ZP-0021-IAA	AFE05C4E-IAA	343	417	498	587	687	797	918	1050	1200	1360		
M7JP-0020-IAA	AFF07C1E-IAA	375	453	533	618	707	802	903	1010	1130	1260	1390	
M7JP-0029-IAA	AFF10C1E-IAA		673	795	922	1050	1190	1340	1500	1670			
M7JP-0031-IAA	AFF13C1E-IAA		774	914	1060	1210	1370	1530	1700				
M7JL-0034-IAA	AFE12C4E-IAA			984	1120	1280	1440						
M7JM-H036-IAA	AFE12C4E-IAA		912	1060	1220	1400	1600	1810	2040	2270	2510		
M7ZP-0041-IAA	AFE12C4E-IAA	801	931	1080	1250	1450	1660	1880	2120	2370	2640		
M7ZM-0043-IAA	AFE13C5E-IAA	798	942	1110	1290	1490	1710	1940	2180	2440	2710		
M7ZP-H062-CFA	RFT18C1E-PFA			1550	1870	2190	2530	2870	3220	3570	3940	4320	
M7GP-H066-CFA	RFT18C1E-PFA			1620	1950	2290	2640	3000	3370	3750	4130	4540	4950

Capacities rated at 40°F return gas, 5°F subcooling

R-450A High Temp

Copeland air-cooled condensing units

Model	Compressor	-10	-5	0	5	10	15	20	25	30	35	40	45
90° Ambient													
M7JH-0012-IAA	ARE13C4E-IAA			528	608	695	791	894	1010	1130	1260	1400	1550
M7JH-H012-IAA	ARE13C4E-IAA			550	635	727	828	939	1060	1190	1340	1490	1660
M7ZH-0013-IAA	ARE13C4E-IAA			556	642	736	839	952	1080	1210	1360	1520	1690
M7JH-0014-IAA	ARE17C4E-IAA			654	749	851	961	1080	1210	1350	1500	1650	1820
M7JH-H015-IAA	ARE17C4E-IAA			682	782	890	1010	1140	1280	1430	1590	1770	1950
M7ZH-0016-IAA	ARE17C4E-IAA			689	791	902	1020	1160	1300	1450	1620	1800	2000
M7JH-0018-IAA	ARE25C4E-IAA			895	1020	1150	1290	1450	1610	1790	1980	2180	2390
M7JH-H020-IAA	ARE25C4E-IAA			939	1070	1220	1370	1540	1730	1920	2130	2360	2600
M7JH-0021-IAA	ARE29C4E-IAA			1080	1200	1340	1500	1670	1850	2040	2250	2450	2660
M7JH-H024-IAA	ARE29C4E-IAA			1140	1270	1430	1610	1800	2020	2240	2480	2730	3000
M7JH-0026-IAA	ARE35C5E-IAA			1190	1350	1530	1720	1920	2140	2360	2600	2850	3110
M7JH-H029-IAA	ARE35C5E-IAA			1270	1440	1640	1850	2070	2320	2580	2860	3160	3470
M7ZH-0031-IAA	ARE35C5E-IAA			1290	1470	1670	1890	2130	2380	2660	2950	3260	3590
M7JH-H038-IAA	ARE48C5E-IAA			1690	1940	2190	2470	2750	3060	3370	3710	4050	4410
M7JH-H038-IAV	ARE48C5E-IAV			1690	1940	2190	2470	2750	3060	3370	3710	4050	4410
M7ZH-0041-IAA	ARE48C5E-IAA			1730	1980	2250	2540	2840	3170	3510	3870	4250	4640
M7ZH-0041-IAV	ARE48C5E-IAV			1730	1980	2250	2540	2840	3170	3510	3870	4250	4640
M7JH-H042-IAA	ARE54C5E-IAA			1890	2160	2450	2750	3070	3400	3740	4100	4460	4840
M7ZH-0045-IAA	ARE54C5E-IAA			1940	2220	2520	2840	3180	3540	3910	4300	4710	5130
M7ZH-0045-IAV	ARE54C5E-IAV			1940	2220	2520	2840	3180	3540	3910	4300	4710	5130
M7ZH-H046-IAV	RRT62C1E-IAV		1880	2120	2400	2710	3050	3410	3790	4190	4600	5020	5460
M7ZH-H046-IAA	RRT62C1E-IAA		1830	2120	2420	2740	3080	3430	3800	4190	4600	5040	5490
M7ZH-0051-IAV	RRT64C1E-IAV		2130	2410	2730	3070	3430	3820	4230	4660	5110	5570	6050
M7ZH-0051-IAA	RRT64C1E-IAA		2210	2500	2820	3180	3560	3970	4390	4820	5260	5700	6140
M7ZH-H055-CAV	RRT64C1E-CAV		2220	2520	2850	3210	3600	4020	4450	4910	5390	5890	6400
M7ZH-H055-CAA	RRT64C1E-CAA		2260	2560	2890	3260	3660	4080	4530	4980	5450	5920	6390
M7GH-H057-CAV	RRT64C1E-CAV	2040	2310	2630	2980	3360	3780	4230	4700	5200	5730	6280	6850
M7GH-H057-CAA	RRT64C1E-CAA	2060	2330	2630	2980	3370	3800	4260	4740	5250	5780	6320	6880
M7KH-0060-CAV	RRT64C1E-CAV	2050	2330	2650	3000	3390	3810	4260	4740	5250	5790	6350	6930
M7KH-0060-CAA	RRT64C1E-CAA	2070	2330	2640	3000	3390	3820	4280	4780	5300	5840	6390	6960
M7KH-0064-CAA	RRT73C1E-CAA	2250	2540	2880	3260	3670	4120	4590	5090	5610	6150	6710	7280
M7KH-0064-CAV	RRT73C1E-CAV	2160	2540	2930	3360	3800	4270	4760	5290	5840	6420	7030	7670
M7ZH-0062-CFV	RRT81C1E-PFV			2830	3230	3690	4210	4770	5350	5960	6570	7170	7770
M7ZH-0062-CFA	RRT81C1E-PFA			3030	3460	3920	4400	4900	5430	5970	6530	7090	7660
M7ZH-H067-CFV	RRT81C1E-PFV		2590	2910	3330	3810	4350	4920	5530	6140	6760	7370	7970
M7ZH-H067-CFA	RRT81C1E-PFA		2700	3100	3540	4010	4510	5030	5570	6130	6710	7290	7880
M7KH-0075-CFA	RRT81C1E-PFA		2840	3270	3750	4260	4810	5390	6010	6650	7320	8020	8730
M7KH-0075-CFV	RRT81C1E-PFV		2730	3100	3570	4120	4730	5380	6050	6740	7430	8110	8770
M7ZH-0070-CFV	RRT10K1E-PFV				4120	4600	5090	5580	6080	6580	7090		
M7ZH-0070-CFA	RRT10K1E-PFA			3560	4040	4530	5050	5580	6120	6680	7230		
M7ZH-H076-CFV	RRT10K1E-PFV			3730	4230	4730	5230	5740	6260	6780	7310	7860	
M7ZH-H076-CFA	RRT10K1E-PFA			3650	4140	4650	5180	5730	6300	6870	7450	8030	
M7KH-0083-CFA	RRT81C1E-PFA	2590	3020	3500	4020	4600	5220	5890	6610	7370	8170	9020	9900
M7KH-0083-CFV	RRT81C1E-PFV	2610	2920	3370	3920	4560	5260	6000	6770	7550	8310	9050	9730
M7KH-0086-CFA	RRT10K1E-PFA		3370	3870	4410	4980	5580	6210	6860	7540	8230	8940	9660
M7KH-0086-CFV	RRT10K1E-PFV		3430	3970	4520	5080	5650	6250	6860	7500	8160	8850	9560
M7KH-0096-CFA	RRT10K1E-PFA	3090	3600	4160	4770	5420	6120	6860	7630	8440	9290	10200	11100
M7KH-0096-CFV	RRT10K1E-PFV	3110	3690	4290	4900	5550	6230	6950	7710	8520	9380	10300	11300

Capacities rated at 40°F return gas, 5°F subcooling

R-450A High Temp

Copeland air-cooled condensing units

Model	Compressor	-10	-5	0	5	10	15	20	25	30	35	40	45
100° Ambient													
M7JH-0012-IAA	ARE13C4E-IAA			484	558	640	728	824	928	1040	1160	1290	1430
M7JH-H012-IAA	ARE13C4E-IAA			505	584	671	766	869	982	1110	1240	1380	1540
M7ZH-0013-IAA	ARE13C4E-IAA			511	591	680	777	883	999	1130	1260	1410	1580
M7JH-0014-IAA	ARE17C4E-IAA			604	692	788	891	1000	1120	1250	1390	1540	1690
M7JH-H015-IAA	ARE17C4E-IAA			632	725	827	939	1060	1190	1330	1490	1650	1830
M7ZH-0016-IAA	ARE17C4E-IAA			639	735	839	953	1080	1210	1360	1520	1690	1870
M7JH-0018-IAA	ARE25C4E-IAA			827	938	1060	1190	1330	1490	1650	1830	2010	2210
M7JH-H020-IAA	ARE25C4E-IAA			871	994	1130	1280	1440	1610	1800	2000	2210	2440
M7JH-0021-IAA	ARE29C4E-IAA			1010	1120	1240	1380	1540	1700	1880	2060	2240	2440
M7JH-H024-IAA	ARE29C4E-IAA			1060	1180	1330	1490	1670	1860	2070	2300	2530	2770
M7JH-0026-IAA	ARE35C5E-IAA			1100	1250	1420	1600	1790	1990	2200	2430		
M7JH-H029-IAA	ARE35C5E-IAA			1180	1340	1520	1720	1940	2170	2420	2690	2960	3260
M7ZH-0031-IAA	ARE35C5E-IAA			1200	1370	1560	1770	1990	2230	2500	2770	3070	3380
M7JH-H038-IAA	ARE48C5E-IAA			1590	1820	2050	2310	2570	2850	3140	3450	3770	4090
M7JH-H038-IAV	ARE48C5E-IAV			1590	1820	2050	2310	2570	2850	3140	3450	3770	4090
M7ZH-0041-IAA	ARE48C5E-IAA			1620	1860	2110	2380	2660	2960	3280	3620	3970	4340
M7ZH-0041-IAV	ARE48C5E-IAV			1620	1860	2110	2380	2660	2960	3280	3620	3970	4340
M7JH-H042-IAA	ARE54C5E-IAA			1750	2010	2280	2570	2860	3170	3490	3810	4150	
M7ZH-0045-IAA	ARE54C5E-IAA			1800	2070	2360	2660	2980	3310	3660	4020	4400	4790
M7ZH-0045-IAV	ARE54C5E-IAV			1800	2070	2360	2660	2980	3310	3660	4020	4400	4790
M7ZH-H046-IAA	RRT62C1E-IAA			1930	2210	2500	2810	3130	3480	3840	4230	4630	5060
M7ZH-H046-IAV	RRT62C1E-IAV			1960	2210	2500	2810	3140	3490	3860	4250	4650	5050
M7ZH-0051-IAV	RRT64C1E-IAV				2500	2820	3160	3520	3910	4310	4730	5170	5610
M7ZH-0051-IAA	RRT64C1E-IAA				2590	2930	3290	3660	4040	4430	4820	5210	5600
M7ZH-H055-CAV	RRT64C1E-CAV			2270	2590	2930	3300	3700	4120	4560	5020	5490	5990
M7ZH-H055-CAA	RRT64C1E-CAA			2350	2670	3020	3390	3780	4180	4600	5020	5440	5850
M7GH-H057-CAV	RRT64C1E-CAV			2370	2700	3070	3460	3890	4340	4820	5320	5840	6380
M7KH-0060-CAV	RRT64C1E-CAV			2380	2720	3090	3490	3920	4380	4860	5370	5900	6460
M7GH-H057-CAA	RRT64C1E-CAA			2430	2770	3140	3540	3970	4420	4890	5370	5860	6360
M7KH-0060-CAA	RRT64C1E-CAA			2440	2780	3160	3560	4000	4450	4930	5430	5930	6450
M7KH-0064-CAA	RRT73C1E-CAA			2690	3040	3420	3840	4280	4750	5240	5750	6280	6820
M7ZH-0062-CFV	RRT81C1E-PFV				2860	3280	3760	4290	4850	5430	6030		
M7KH-0064-CAV	RRT73C1E-CAV			2640	3050	3470	3920	4390	4880	5400	5950	6520	7120
M7ZH-0062-CFA	RRT81C1E-PFA				3140	3570	4030	4500	4990	5500	6020		
M7ZH-H067-CFV	RRT81C1E-PFV				2940	3380	3880	4430	5000	5600	6210		
M7ZH-H067-CFA	RRT81C1E-PFA				3220	3660	4130	4620	5130	5650	6190		
M7KH-0075-CFV	RRT81C1E-PFV			2750	3160	3660	4230	4850	5500	6180	6860	7540	8200
M7KH-0075-CFA	RRT81C1E-PFA			2960	3420	3900	4420	4980	5560	6160	6790	7440	8110
M7ZH-0070-CFV	RRT10K1E-PFV					4210	4660	5120	5570				
M7ZH-0070-CFA	RRT10K1E-PFA					4140	4620	5110	5620				
M7ZH-H076-CFV	RRT10K1E-PFV					4330	4800	5270	5740	6220			
M7ZH-H076-CFA	RRT10K1E-PFA					4250	4750	5260	5790	6320			
M7KH-0083-CFA	RRT81C1E-PFA		2710	3170	3670	4220	4810	5450	6120	6850	7610	8410	9240
M7KH-0083-CFV	RRT81C1E-PFV		2600	2970	3460	4050	4720	5440	6200	6980	7750	8510	9230
M7KH-0086-CFV	RRT10K1E-PFV				4140	4670	5210	5760	6330	6910	7520	8160	8810
M7KH-0086-CFA	RRT10K1E-PFA			3540	4040	4580	5150	5740	6360	7000	7650	8320	9000
M7KH-0096-CFA	RRT10K1E-PFA		3280	3810	4390	5010	5670	6370	7100	7880	8680	9520	10400
M7KH-0096-CFV	RRT10K1E-PFV		3350	3920	4510	5120	5760	6430	7130	7880	8680	9530	10400

Capacities rated at 40°F return gas, 5°F subcooling

R-450A High Temp

Copeland air-cooled condensing units

Model	Compressor	-10	-5	0	5	10	15	20	25	30	35	40	45
110° Ambient													
M7JH-0012-IAA	ARE13C4E-IAA				508	583	663	750	845	947	1060	1180	1300
M7JH-H012-IAA	ARE13C4E-IAA			457	531	611	698	794	899	1010	1140	1270	1420
M7ZH-0013-IAA	ARE13C4E-IAA			466	541	623	712	811	918	1040	1160	1300	1450
M7JH-0014-IAA	ARE17C4E-IAA				633	722	817	921	1030	1150	1280	1420	1560
M7JH-H015-IAA	ARE17C4E-IAA			577	664	760	864	977	1100	1230	1380	1530	1700
M7ZH-0016-IAA	ARE17C4E-IAA			588	677	775	881	998	1120	1260	1410	1570	1740
M7JH-0018-IAA	ARE25C4E-IAA					960	1080	1210	1340	1490	1660	1830	
M7JH-H020-IAA	ARE25C4E-IAA			797	909	1030	1170	1320	1480	1650	1840	2050	2270
M7JH-0021-IAA	ARE29C4E-IAA							1400	1550	1700			
M7JH-H024-IAA	ARE29C4E-IAA				1090	1220	1370	1540	1710	1900	2110	2320	2540
M7JH-H029-IAA	ARE35C5E-IAA				1240	1410	1600	1800	2020	2260	2510	2770	3050
M7ZH-0031-IAA	ARE35C5E-IAA			1110	1270	1450	1640	1850	2080	2330	2590	2870	3170
M7JH-H038-IAA	ARE48C5E-IAA						2150	2390	2640	2910			
M7JH-H038-IAV	ARE48C5E-IAV						2150	2390	2640	2910			
M7ZH-0041-IAA	ARE48C5E-IAA				1740	1970	2220	2480	2750	3050	3350	3680	4010
M7ZH-0041-IAV	ARE48C5E-IAV				1740	1970	2220	2480	2750	3050	3350	3680	4010
M7JH-H042-IAA	ARE54C5E-IAA								2930				
M7ZH-0045-IAA	ARE54C5E-IAA					2190	2480	2770	3080	3400	3730		
M7ZH-0045-IAV	ARE54C5E-IAV					2190	2480	2770	3080	3400	3730		
M7ZH-H046-IAA	RRT62C1E-IAA					2280	2570	2870	3180	3520	3880	4270	
M7ZH-H046-IAV	RRT62C1E-IAV					2290	2580	2880	3210	3560	3910	4280	
M7ZH-0051-IAV	RRT64C1E-IAV					2570	2890	3230	3590	3970			
M7ZH-0051-IAA	RRT64C1E-IAA					2650	2980	3320	3670				
M7ZH-H055-CAA	RRT64C1E-CAA					2740	3090	3440	3810	4180	4560		
M7ZH-H055-CAV	RRT64C1E-CAV					2690	3050	3430	3840	4260	4710		
M7GH-H057-CAV	RRT64C1E-CAV				2450	2800	3180	3580	4010	4470	4940	5440	5960
M7KH-0060-CAV	RRT64C1E-CAV				2470	2820	3200	3610	4040	4500	4990	5490	6020
M7GH-H057-CAA	RRT64C1E-CAA				2530	2880	3250	3640	4060	4480	4920	5360	5810
M7KH-0060-CAA	RRT64C1E-CAA				2540	2900	3270	3670	4090	4530	4980	5430	5900
M7KH-0064-CAA	RRT73C1E-CAA				2790	3160	3550	3970	4420	4890	5380	5890	6420
M7KH-0064-CAV	RRT73C1E-CAV				2770	3170	3590	4030	4490	4970	5480	6010	6570
M7ZH-H067-CFV	RRT81C1E-PFV					2990	3440	3960	4510				
M7ZH-H067-CFA	RRT81C1E-PFA					3330	3760	4220	4690				
M7KH-0075-CFV	RRT81C1E-PFV				2780	3220	3740	4330	4950	5610	6280	6950	
M7KH-0075-CFA	RRT81C1E-PFA					3550	4030	4550	5090	5660	6250	6860	
M7KH-0083-CFV	RRT81C1E-PFV				3030	3560	4180	4860	5600	6360	7130	7890	8630
M7KH-0083-CFA	RRT81C1E-PFA				3320	3840	4390	4990	5630	6310	7020	7780	8560
M7KH-0086-CFV	RRT10K1E-PFV					4250	4750	5260	5780	6320	6880		
M7KH-0086-CFA	RRT10K1E-PFA					4160	4690	5250	5830	6430			
M7KH-0096-CFV	RRT10K1E-PFV				4110	4680	5270	5890	6540	7230	7960	8730	9560
M7KH-0096-CFA	RRT10K1E-PFA				3990	4570	5200	5860	6550	7290	8050	8840	9660
M7ZH-0062-CFA	RRT81C1E-PFA						3670	4110					
M7ZH-0062-CFV	RRT81C1E-PFV					2900	3340	3840					
M7ZH-H076-CFA	RRT10K1E-PFA						4310						
M7ZH-H076-CFV	RRT10K1E-PFV						4370						

Capacities rated at 40°F return gas, 5°F subcooling

R-513A High Temp

Copeland air-cooled condensing units

Model	Compressor	-25	-20	-15	-10	-5	0	5	10	15	20	25	30
90° Ambient													
M7JM-0019-IAA	AFE05C4E-IAA	478	576	681	795	918	1050	1200	1350	1520	1710		
M7JM-H020-IAA	AFE05C4E-IAA	504	609	723	845	978	1120	1280	1450	1630	1830		
M7JP-0020-IAA	AFF07C1E-IAA	577	668	767	874	990	1110	1250	1390	1540	1690	1860	
M7ZP-0021-IAA	AFE05C4E-IAA	551	662	781	911	1050	1200	1370	1550	1750	1960		
M7JP-0029-IAA	AFF10C1E-IAA	864	1000	1150	1310	1480	1660	1850	2050	2250	2460	2680	
M7JP-0031-IAA	AFF13C1E-IAA	994	1150	1320	1500	1690	1890	2100	2310	2530	2760	3000	
M7JL-0034-IAA	AFE12C4E-IAA	1010	1170	1350	1550	1760	1990	2220	2450	2680	2900		
M7JM-H036-IAA	AFE12C4E-IAA	1080	1260	1470	1700	1950	2220	2520	2820	3140	3460		
M7ZP-0041-IAA	AFE12C4E-IAA	1110	1290	1510	1750	2010	2300	2610	2940	3290	3650		
M7ZM-0043-IAA	AFE13C5E-IAA	1130	1320	1550	1800	2080	2370	2690	3030	3380	3740		
M7ZP-H062-CFA	RFT18C1E-PFA	1740	2150	2560	2970	3400	3840	4290	4750	5210	5690	6180	6670
M7GP-H066-CFA	RFT18C1E-PFA	1810	2230	2660	3100	3560	4030	4510	5010	5530	6050	6590	7150
100° Ambient													
M7JM-0019-IAA	AFE05C4E-IAA	425	513	610	715	830	957	1090	1240	1410	1580		
M7JM-H020-IAA	AFE05C4E-IAA	450	546	651	766	891	1030	1180	1340	1520	1720		
M7JP-0020-IAA	AFF07C1E-IAA	533	618	711	811	919	1030	1160	1290	1430	1570	1720	
M7ZP-0021-IAA	AFE05C4E-IAA	498	601	712	835	968	1110	1280	1450	1640	1850		
M7JP-0029-IAA	AFF10C1E-IAA	787	917	1060	1200	1360	1530	1700	1880	2070	2270	2470	
M7JP-0031-IAA	AFF13C1E-IAA	903	1050	1210	1370	1550	1730	1920	2120	2320			
M7JL-0034-IAA	AFE12C4E-IAA	934	1080	1240	1410	1610	1800	2010	2210				
M7JM-H036-IAA	AFE12C4E-IAA	997	1160	1350	1560	1800	2050	2320	2600	2890	3180		
M7ZP-0041-IAA	AFE12C4E-IAA	1020	1190	1390	1610	1860	2130	2420	2730	3040	3370		
M7ZM-0043-IAA	AFE13C5E-IAA	1030	1220	1430	1660	1920	2190	2490	2800	3130	3470		
M7ZP-H062-CFA	RFT18C1E-PFA	1480	1880	2280	2680	3100	3520	3960	4400	4850	5320	5790	6280
M7GP-H066-CFA	RFT18C1E-PFA	1560	1970	2390	2820	3260	3710	4180	4660	5140	5650	6160	6700
110° Ambient													
M7JM-0019-IAA	AFE05C4E-IAA	368	447	534	630	737	855	985	1130	1280	1450		
M7JM-H020-IAA	AFE05C4E-IAA	391	477	573	679	797	927	1070	1230	1400	1590		
M7JP-0020-IAA	AFF07C1E-IAA		565	651	744	843	950	1060	1180	1310	1450	1590	
M7ZP-0021-IAA	AFE05C4E-IAA	444	538	641	755	881	1020	1170	1340	1530	1730		
M7JP-0029-IAA	AFF10C1E-IAA			951	1090	1230	1380	1540	1710				
M7JP-0031-IAA	AFF13C1E-IAA			1080	1230	1390	1560	1740					
M7JL-0034-IAA	AFE12C4E-IAA			1120	1270	1440							
M7JM-H036-IAA	AFE12C4E-IAA		1060	1230	1420	1640	1860	2100	2360	2610	2880		
M7ZP-0041-IAA	AFE12C4E-IAA	940	1090	1270	1480	1700	1950	2210	2490	2780	3080		
M7ZM-0043-IAA	AFE13C5E-IAA	934	1110	1300	1520	1760	2020	2290	2580	2880	3190		
M7ZP-H062-CFA	RFT18C1E-PFA				2370	2780	3210	3640	4080	4530			
M7GP-H066-CFA	RFT18C1E-PFA			2080	2510	2940	3390	3840	4310	4780	5270	5770	6290

Capacities rated at 40°F return gas (65°F return gas for capacities in **bold**), 5°F subcooling

Model	Compressor	-10	-5	0	5	10	15	20	25	30	35	40	45
90° Ambient													
M7JH-0012-IAA	ARE13C4E-IAA			669	760	858	963	1080	1200	1330	1470	1620	1770
M7JH-H012-IAA	ARE13C4E-IAA			701	799	905	1020	1150	1280	1430	1590	1760	1950
M7ZH-0013-IAA	ARE13C4E-IAA			710	810	920	1040	1170	1310	1470	1630	1810	2010
M7JH-0014-IAA	ARE17C4E-IAA			829	934	1050	1170	1300	1430	1580	1730	1900	2070
M7JH-H015-IAA	ARE17C4E-IAA			869	984	1110	1240	1390	1540	1710	1890	2080	2280
M7ZH-0016-IAA	ARE17C4E-IAA			880	999	1130	1270	1420	1580	1750	1940	2140	2360
M7JH-0018-IAA	ARE25C4E-IAA			1130	1260	1400	1550	1710	1890	2070	2260	2460	2670
M7JH-H020-IAA	ARE25C4E-IAA			1190	1350	1510	1680	1870	2070	2290	2510	2760	3020
M7JH-0021-IAA	ARE29C4E-IAA			1350	1480	1630	1790	1960	2140	2330	2530	2730	2940
M7JH-H024-IAA	ARE29C4E-IAA			1440	1600	1770	1960	2170	2400	2640	2890	3160	3430
M7JH-0026-IAA	ARE35C5E-IAA			1450	1640	1840	2060	2280	2500	2730	2950	3170	3380
M7JH-H029-IAA	ARE35C5E-IAA			1560	1770	2010	2260	2530	2810	3100	3400	3710	4020
M7ZH-0031-IAA	ARE35C5E-IAA			1600	1820	2060	2330	2610	2910	3230	3550	3890	4230
M7JH-H034-IAV	ARE42C5E-IAV			1780	2010	2260	2520	2800	3090	3390			
M7ZH-0037-IAV	ARE42C5E-IAV			1830	2070	2340	2620	2920	3240	3570			
M7JH-H038-IAA	ARE48C5E-IAA			2140	2380	2650	2940	3250	3570	3910	4250	4590	4940
M7JH-H038-IAV	ARE48C5E-IAV			2140	2380	2650	2940	3250	3570	3910	4250	4590	4940
M7ZH-0041-IAA	ARE48C5E-IAA			2200	2450	2740	3060	3390	3750	4120	4510	4900	5300
M7ZH-0041-IAV	ARE48C5E-IAV			2200	2450	2740	3060	3390	3750	4120	4510	4900	5300
M7JH-H042-IAA	ARE54C5E-IAA			2300	2630	2970	3320	3670	4020	4370	4710	5030	5340
M7JH-H042-IAV	ARE54C5E-IAV			2300	2630	2970	3320	3670	4020	4370	4710	5030	5340
M7ZH-0045-IAA	ARE54C5E-IAA			2380	2730	3090	3470	3850	4250	4650	5050	5450	5840
M7ZH-0045-IAV	ARE54C5E-IAV			2380	2730	3090	3470	3850	4250	4650	5050	5450	5840
M7ZH-H046-IAA	RRT62C1E-IAA		2290	2570	2880	3230	3610	4020	4440	4870	5310	5750	6190
M7ZH-H046-IAV	RRT62C1E-IAV		2290	2570	2880	3230	3610	4020	4440	4870	5310	5750	6190
M7ZH-0051-IAV	RRT64C1E-IAV			2900	3250	3630	4030	4460	4900	5360	5830	6290	6760
M7ZH-0051-IAA	RRT64C1E-IAA		2560	2910	3300	3710	4140	4580	5020	5470	5920	6350	6770
M7ZH-H055-CAA	RRT64C1E-CAA		2690	3030	3400	3800	4230	4690	5160	5650	6150	6650	7150
M7ZH-H055-CAV	RRT64C1E-CAV		2690	3030	3400	3800	4230	4690	5160	5650	6150	6650	7150
M7GH-H057-CAA	RRT64C1E-CAA	2330	2630	2980	3370	3790	4250	4740	5250	5780			
M7GH-H057-CAV	RRT64C1E-CAV	2330	2630	2980	3370	3790	4250	4740	5250	5780			
M7KH-0060-CAA	RRT64C1E-CAA	2470	2800	3160	3570	4020	4500	5010	5550	6120	6700	7300	7910
M7KH-0060-CAV	RRT64C1E-CAV	2470	2800	3160	3570	4020	4500	5010	5550	6120	6700	7300	7910
M7ZH-0062-CFA	RRT81C1E-PFA			3200	3610	4110	4680	5310	5980	6680	7380	8090	
M7ZH-0062-CFV	RRT81C1E-PFV			3200	3610	4110	4680	5310	5980	6680	7380	8090	
M7KH-0064-CAA	RRT73C1E-CAA		3040	3510	3990	4500	5040	5590	6170	6780	7400	8050	8710
M7KH-0064-CAV	RRT73C1E-CAV		3040	3510	3990	4500	5040	5590	6170	6780	7400	8050	8710
M7ZH-H067-CFA	RRT81C1E-PFA		3000	3300	3730	4250	4850	5500	6180	6880	7600	8310	
M7ZH-H067-CFV	RRT81C1E-PFV		3000	3300	3730	4250	4850	5500	6180	6880	7600	8310	
M7ZH-0070-CFA	RRT10K1E-PFA			4610	5130	5670	6230	6790	7360				
M7ZH-0070-CFV	RRT10K1E-PFV			4610	5130	5670	6230	6790	7360				
M7KH-0075-CFA	RRT81C1E-PFA		3180	3550	4050	4660	5340	6080	6850	7650	8450	9240	9990
M7KH-0075-CFV	RRT81C1E-PFV		3180	3550	4050	4660	5340	6080	6850	7650	8450	9240	9990
M7ZH-H076-CFA	RRT10K1E-PFA			4220	4740	5280	5840	6410	6990	7580	8180		
M7ZH-H076-CFV	RRT10K1E-PFV			4220	4740	5280	5840	6410	6990	7580	8180		
M7KH-0083-CFA	RRT81C1E-PFA	3020	3280	3730	4330	5040	5840	6690	7570	8450			
M7KH-0083-CFV	RRT81C1E-PFV	3020	3280	3730	4330	5040	5840	6690	7570	8450			
M7KH-0086-CFA	RRT10K1E-PFA		3980	4520	5110	5730	6370	7050	7760	8490	9240	10000	10800
M7KH-0086-CFV	RRT10K1E-PFV		3980	4520	5110	5730	6370	7050	7760	8490	9240	10000	10800
M7KH-0096-CFA	RRT10K1E-PFA	3590	4150	4760	5420	6130	6890	7700	8570	9480			
M7KH-0096-CFV	RRT10K1E-PFV	3590	4150	4760	5420	6130	6890	7700	8570	9480			

Capacities rated at 40°F return gas (65°F return gas for capacities in **bold**), 5°F subcooling

Model	Compressor	-10	-5	0	5	10	15	20	25	30	35	40	45
100° Ambient													
M7JH-0012-IAA	ARE13C4E-IAA			612	695	784	880	983	1090	1210	1340	1470	1620
M7JH-H012-IAA	ARE13C4E-IAA			646	736	834	940	1060	1180	1310	1460	1620	1790
M7ZH-0013-IAA	ARE13C4E-IAA			657	749	850	960	1080	1210	1350	1500	1670	1850
M7JH-0014-IAA	ARE17C4E-IAA			761	858	962	1070	1190	1320	1450	1600	1750	1910
M7JH-H015-IAA	ARE17C4E-IAA			806	912	1030	1150	1280	1430	1580	1750	1920	2110
M7ZH-0016-IAA	ARE17C4E-IAA			821	930	1050	1180	1320	1470	1630	1800	1990	2190
M7JH-0018-IAA	ARE25C4E-IAA			1030	1150	1280	1420	1560	1720	1890	2060	2250	2450
M7JH-H020-IAA	ARE25C4E-IAA			1110	1240	1390	1550	1730	1910	2110	2330	2560	2800
M7JH-0021-IAA	ARE29C4E-IAA				1370	1500	1640	1790	1960	2130	2310	2500	
M7JH-H024-IAA	ARE29C4E-IAA			1340	1480	1630	1810	2000	2200	2420	2650	2890	3140
M7JH-0026-IAA	ARE35C5E-IAA					1690	1890	2080	2280	2480			
M7JH-H029-IAA	ARE35C5E-IAA			1440	1640	1860	2100	2340	2600	2870	3140	3420	3700
M7ZH-0031-IAA	ARE35C5E-IAA			1480	1690	1920	2170	2430	2710	3000	3300	3610	3920
M7JH-H034-IAV	ARE42C5E-IAV			1620	1840	2070	2320	2580	2840	3120			
M7ZH-0037-IAV	ARE42C5E-IAV			1680	1910	2150	2420	2700	2990	3290			
M7JH-H038-IAA	ARE48C5E-IAA			2050	2250	2490	2740	3020	3310	3610	3910	4210	
M7JH-H038-IAV	ARE48C5E-IAV			2050	2250	2490	2740	3020	3310	3610	3910	4210	
M7ZH-0041-IAA	ARE48C5E-IAA			2080	2310	2570	2850	3160	3480	3820	4170	4530	4880
M7ZH-0041-IAV	ARE48C5E-IAV			2080	2310	2570	2850	3160	3480	3820	4170	4530	4880
M7JH-H042-IAA	ARE54C5E-IAA			2140	2440	2750	3070	3380	3690	3990	4280		
M7JH-H042-IAV	ARE54C5E-IAV			2140	2440	2750	3070	3380	3690	3990	4280		
M7ZH-0045-IAA	ARE54C5E-IAA			2210	2540	2870	3220	3580	3930	4290	4640	4990	5320
M7ZH-0045-IAV	ARE54C5E-IAV			2210	2540	2870	3220	3580	3930	4290	4640	4990	5320
M7ZH-H046-IAA	RRT62C1E-IAA			2370	2660	2970	3320	3690	4070	4470	4870	5270	5670
M7ZH-H046-IAV	RRT62C1E-IAV			2370	2660	2970	3320	3690	4070	4470	4870	5270	5670
M7ZH-0051-IAV	RRT64C1E-IAV				2980	3330	3700	4090	4500	4920	5350	5770	
M7ZH-0051-IAA	RRT64C1E-IAA				2980	3360	3750	4140	4530	4920	5290	5650	
M7ZH-H055-CAA	RRT64C1E-CAA				3120	3490	3890	4310	4740	5190	5650	6110	6570
M7ZH-H055-CAV	RRT64C1E-CAV				3120	3490	3890	4310	4740	5190	5650	6110	6570
M7GH-H057-CAA	RRT64C1E-CAA			2720	3080	3460	3880	4330	4800	5290			
M7GH-H057-CAV	RRT64C1E-CAV			2720	3080	3460	3880	4330	4800	5290			
M7KH-0060-CAA	RRT64C1E-CAA			2910	3290	3700	4140	4620	5120	5640	6190	6740	7310
M7KH-0060-CAV	RRT64C1E-CAV			2910	3290	3700	4140	4620	5120	5640	6190	6740	7310
M7ZH-0062-CFA	RRT81C1E-PFA				3210	3660	4200	4800	5440	6120			
M7ZH-0062-CFV	RRT81C1E-PFV				3210	3660	4200	4800	5440	6120			
M7ZH-H067-CFA	RRT81C1E-PFA				3310	3780	4340	4950	5620	6310			
M7ZH-H067-CFV	RRT81C1E-PFV				3310	3780	4340	4950	5620	6310			
M7KH-0064-CAA	RRT73C1E-CAA			3230	3680	4150	4650	5160	5690	6240	6810	7390	7990
M7KH-0064-CAV	RRT73C1E-CAV			3230	3680	4150	4650	5160	5690	6240	6810	7390	7990
M7KH-0075-CFA	RRT81C1E-PFA			3140	3570	4130	4770	5480	6230	7020	7810	8600	9360
M7KH-0075-CFV	RRT81C1E-PFV			3140	3570	4130	4770	5480	6230	7020	7810	8600	9360
M7ZH-0070-CFA	RRT10K1E-PFA						5220	5740					
M7ZH-0070-CFV	RRT10K1E-PFV						5220	5740					
M7ZH-H076-CFA	RRT10K1E-PFA				4850	5370	5900	6430					
M7ZH-H076-CFV	RRT10K1E-PFV				4850	5370	5900	6430					
M7KH-0083-CFA	RRT81C1E-PFA		2880	3230	3750	4410	5160	5990	6860	7750			
M7KH-0083-CFV	RRT81C1E-PFV		2880	3230	3750	4410	5160	5990	6860	7750			
M7KH-0086-CFA	RRT10K1E-PFA				4680	5260	5870	6510	7160	7840	8540	9250	
M7KH-0086-CFV	RRT10K1E-PFV				4680	5260	5870	6510	7160	7840	8540	9250	
M7KH-0096-CFA	RRT10K1E-PFA		3730	4300	4920	5590	6300	7050	7860	8700			
M7KH-0096-CFV	RRT10K1E-PFV		3730	4300	4920	5590	6300	7050	7860	8700			

Capacities rated at 40°F return gas (65°F return gas for capacities in **bold**), 5°F subcooling

R-513A High Temp

Copeland air-cooled condensing units

Model	Compressor	-10	-5	0	5	10	15	20	25	30	35	40	45
110° Ambient													
M7JH-0012-IAA	ARE13C4E-IAA				628	709	796	889	988	1100	1210	1330	1460
M7JH-H012-IAA	ARE13C4E-IAA			584	666	756	852	957	1070	1190	1330	1470	1630
M7ZH-0013-IAA	ARE13C4E-IAA			599	684	776	876	985	1100	1230	1370	1520	1690
M7JH-0014-IAA	ARE17C4E-IAA					875	978	1090	1210	1330	1460	1610	1760
M7JH-H015-IAA	ARE17C4E-IAA			733	831	937	1050	1180	1310	1450	1610	1770	1950
M7ZH-0016-IAA	ARE17C4E-IAA			752	854	963	1080	1210	1350	1500	1660	1830	2020
M7JH-0018-IAA	ARE25C4E-IAA							1400	1550	1700			
M7JH-H020-IAA	ARE25C4E-IAA				1130	1270	1410	1570	1740	1930	2130	2340	2570
M7JH-H024-IAA	ARE29C4E-IAA				1360	1500	1650	1830	2010	2210	2420	2640	2870
M7JH-H029-IAA	ARE35C5E-IAA					1710	1930	2150	2390	2630	2870	3120	
M7ZH-0031-IAA	ARE35C5E-IAA				1560	1770	2000	2240	2490	2760	3030	3310	3590
M7JH-H034-IAV	ARE42C5E-IAV						2110	2350	2590	2840			
M7ZH-0037-IAV	ARE42C5E-IAV				1740	1960	2210	2460	2730	3000			
M7JH-H038-IAA	ARE48C5E-IAA								3040				
M7JH-H038-IAV	ARE48C5E-IAV								3040				
M7ZH-0041-IAA	ARE48C5E-IAA					2410	2660	2930	3210	3510	3820	4130	
M7ZH-0041-IAV	ARE48C5E-IAV					2410	2660	2930	3210	3510	3820	4130	
M7ZH-0045-IAA	ARE54C5E-IAA						2960	3270	3580	3890			
M7ZH-0045-IAV	ARE54C5E-IAV						2960	3270	3580	3890			
M7ZH-H046-IAA	RRT62C1E-IAA					2720	3030	3370	3710	4070	4440		
M7ZH-H046-IAV	RRT62C1E-IAV					2720	3030	3370	3710	4070	4440		
M7ZH-0051-IAA	RRT64C1E-IAA						3330	3670	4000				
M7ZH-0051-IAV	RRT64C1E-IAV						3370	3720					
M7ZH-H055-CAA	RRT64C1E-CAA				3180	3540	3930	4320	4740				
M7ZH-H055-CAV	RRT64C1E-CAV				3180	3540	3930	4320	4740				
M7GH-H057-CAA	RRT64C1E-CAA				2780	3140	3520	3930	4350	4800			
M7GH-H057-CAV	RRT64C1E-CAV				2780	3140	3520	3930	4350	4800			
M7KH-0060-CAA	RRT64C1E-CAA				3000	3380	3790	4220	4680	5170	5670	6180	6710
M7KH-0060-CAV	RRT64C1E-CAV				3000	3380	3790	4220	4680	5170	5670	6180	6710
M7ZH-0062-CFA	RRT81C1E-PFA						3760	4330					
M7ZH-0062-CFV	RRT81C1E-PFV						3760	4330					
M7ZH-H067-CFA	RRT81C1E-PFA					3370	3870	4460					
M7ZH-H067-CFV	RRT81C1E-PFV					3370	3870	4460					
M7KH-0064-CAA	RRT73C1E-CAA					3790	4230	4690	5160	5650	6160	6670	
M7KH-0064-CAV	RRT73C1E-CAV					3790	4230	4690	5160	5650	6160	6670	
M7KH-0075-CFA	RRT81C1E-PFA				3160	3640	4230	4900	5630	6390	7180		
M7KH-0075-CFV	RRT81C1E-PFV				3160	3640	4230	4900	5630	6390	7180		
M7KH-0083-CFA	RRT81C1E-PFA			2810	3230	3810	4500	5290	6130	7000			
M7KH-0083-CFV	RRT81C1E-PFV			2810	3230	3810	4500	5290	6130	7000			
M7KH-0086-CFA	RRT10K1E-PFA					4820	5380	5970	6570				
M7KH-0086-CFV	RRT10K1E-PFV					4820	5380	5970	6570				
M7KH-0096-CFA	RRT10K1E-PFA				4440	5060	5710	6410	7150	7930			
M7KH-0096-CFV	RRT10K1E-PFV				4440	5060	5710	6410	7150	7930			

Capacities rated at 40°F return gas (65°F return gas for capacities in **bold**), 5°F subcooling

Physical and Electrical Data

Copevap™ welded air-cooled condensing units

Model	Compressor Electrical	Length	Width	Height	Refrigerant* Connections		Receiver Capacity (Lbs @ 90% Volume)						MCA	Max Fuse	Ship Weight
					Liquid	Suction	134a	404A	407C	448A	449A	450A			
B Chassis															
M6BL-0123-CFA	RFT42C1E-PFA	24	16.29	13.64	3/8	3/8	2.8	3	3				21.4	30	0
M6BL-0123-CFV	RFT42C1E-PFV	24	16.29	13.64	3/8	3/8	2.8	3	3				11.2	15	0
M6BP-0064-CAA	RST45C1E-CAA	24	16.69	13.64	3/8	3/8	2.8	3.1	3	3			15.1	20	0
M6BP-0064-CAV	RST45C1E-CAV	24	16.69	13.64	3/8	3/8	2.8	3.1	3	3			7.5	15	0
M6BP-0075-CAA	RST55C1E-CAA	24	16.69	13.64	3/8	3/8	2.8	3.1	3	3			20.8	30	0
M6BP-0075-CAV	RST55C1E-CAV	24	16.69	13.64	3/8	3/8	2.8	3.1	3	3			9.7	15	0
M6BP-0092-CAV	RST64C1E-CAV	24	16.72	13.64	3/8	3/8	2.8	3.1	3	3			12.4	20	0
M6BP-0092-CFA	RST64C1E-CFA	24	16.29	13.64	3/8	3/8	2.8	3.1	3	3			20.3	30	0
M6BP-0096-CFV	RST70C1E-PFV	24	16.29	13.64	3/8	1/2	2.8	3.1	3	3			10.8	15	0
M6BP-0106-CFV	RST80C1E-PFV	24	16.29	13.64	3/8	1/2	2.8	3.1	3	3			12.8	20	0
M6BP-0116-CFV	RST97C1E-PFV	24	16.29	13.64	3/8	1/2	2.8	3.1	3	3			13.7	20	0
M7BH-0060-CAA	RRT64C1E-CAA	24	16.69	13.64	3/8	3/8	3.3				3.2	3.2	15.8	20	0
M7BH-0060-CAV	RRT64C1E-CAV	24	16.69	13.64	3/8	3/8	3.3				3.2	3.2	9.2	15	0
M7BH-0064-CAA	RRT73C1E-CAA	24	16.69	13.64	1/4	3/8	3.3				3.2	3.2	15.8	20	0
M7BH-0064-CAV	RRT73C1E-CAV	24	16.69	13.64	3/8	3/8	3.3				3.2	3.2	11.8	15	0
M7BH-0075-CFA	RRT81C1E-PFA	24	16.29	13.64	3/8	1/2	3.3				3.2	3.2	18.3	25	0
M7BH-0075-CFV	RRT81C1E-PFV	24	16.29	13.64	3/8	1/2	3.3				3.2	3.2	9.3	15	0
M7BH-0086-CFA	RRT10K1E-PFA	24	16.29	13.64	3/8	1/2	3.3				3.2	3.2	19	30	0
M7BH-0086-CFV	RRT10K1E-PFV	24	16.29	13.64	3/8	1/2	3.3				3.2	3.2	11.2	15	0
E Chassis															
M6EL-0030-IAA	AFE11C4E-IAA	16	14.25	10.52	1/4	5/16	1.3	1.4	1.4				5.9	15	0
M6EL-0038-IAA	AFE13C4E-IAA	16	14.25	10.52	1/4	5/16	1.3	1.4	1.4				7.7	15	0
M6EL-0041-IAA	AFE14C5E-IAA	16	14.25	10.52	1/4	5/16	1.3	1.4	1.4				8.2	15	0
M6EL-0048-CAA	AFE17C4E-CAA	16	14.25	10.47	1/4	5/16	1.3	1.4	1.4				10.4	15	0
M6EL-0052-IAA	AFE20C5E-IAA	16	14.25	10.52	1/4	5/16	1.3	1.4	1.4				8.5	15	0
M6EL-0068-CAA	AFE26C5E-CAA	16	14.25	10.47	1/4	5/16	1.3	1.4	1.4				12.3	20	0
M6EL-H032-IAA	AFE11C4E-IAA	16.06	15.12	11.75	1/4	5/16	1.3	1.4	1.4				6.1	15	0
M6EL-H042-IAA	AFE13C4E-IAA	16.06	15.12	11.75	1/4	5/16	1.3	1.4	1.4				7.9	15	0
M6EL-H043-IAA	AFE14C5E-IAA	16.06	15.12	11.75	1/4	5/16	1.3	1.4	1.4				8.4	15	0
M6EL-H043-IAV	AFE14C5E-IAV	16.06	15.12	11.75	1/4	5/16	1.3	1.4	1.4				4.4	15	0
M6EL-H054-CAA	AFE17C4E-CAA	16.06	15.12	11.75	1/4	3/8	1.3	1.4	1.4				10.6	15	0
M6EL-H054-IAA	AFE17C4E-IAA	16.06	15.12	11.75	1/4	5/16	1.3	1.4	1.4				10.6	15	0
M6EL-H054-IAV	AFE17C4E-IAV	16.06	15.12	11.75	1/4	5/16	1.3	1.4	1.4				5.6	15	0
M6EL-H056-IAA	AFE20C5E-IAA	16.06	15.12	11.75	1/4	5/16	1.3	1.4	1.4				8.8	15	0
M6EL-H056-IAV	AFE20C5E-IAV	16.06	15.12	11.75	1/4	5/16	1.3	1.4	1.4				6	15	0
M6EL-H065-CAA	AFE23C5E-CAA	16.06	15.12	11.75	1/4	5/16	1.3	1.4	1.4				10.3	15	0
M6EL-H074-CAA	AFE26C5E-CAA	16.06	15.12	11.75	1/4	5/16	1.3	1.4	1.4				12.5	20	0
M6EM-0020-IAA	ASE12C4E-IAA	16	14.25	10.52	1/4	5/16	1.3	1.4	1.4	1.4			5.4	15	0
M6EM-0023-IAA	ASE14C4E-IAA	16	14.25	10.52	1/4	5/16	1.3	1.4	1.4				6.7	15	0
M6EM-0028-IAA	ASE20C4E-IAA	16	14.25	10.52	1/4	5/16	1.3	1.4	1.4	1.4			8.2	15	0
M6EM-0034-IAA	ASE28C5E-IAA	16	14.25	10.52	1/4	5/16	1.3	1.4	1.4				9.7	15	0
M6EM-0045-IAA	ASE39C5E-IAA	16	14.25	10.52	1/4	5/16	1.3	1.4	1.4				13.2	20	0
M6EM-H022-IAA	ASE12C4E-IAA	16.06	15.12	11.75	1/4	5/16	1.3	1.4	1.4	1.4			5.6	15	0
M6EM-H026-IAA	ASE14C4E-IAA	16.06	15.12	11.75	1/4	5/16	1.3	1.4	1.4				6.7	15	0
M6EM-H032-CAA	ASE20C4E-CAA	16.06	15.12	11.75	1/4	5/16	1.3	1.4	1.4	1.4			7.8	15	0
M6EM-H034-IAA	ASE24C5E-IAA	16.06	15.12	11.75	1/4	5/16	1.3	1.4	1.4				8.6	15	0
M6EM-H040-IAA	ASE28C5E-IAA	16.06	15.12	11.75	1/4	5/16	1.3	1.4	1.4				9.9	15	0
M6EM-H051-IAA	ASE39C5E-IAA	16.06	15.12	11.75	1/4	5/16	1.3	1.4	1.4				13.4	20	0
M6EP-H056-CAA	RST45C1E-CAA	16.26	15.62	11.75	1/4	3/8	1.3	1.4	1.4	1.4			14	20	0
M6EP-H056-IAA	RST45C1E-IAA	16.26	15.66	11.75	1/4	3/8	1.3	1.4	1.4	1.4			14	20	0
M7EH-0020-IAA	ARE25C4E-IAA	16	14.25	10.52	1/4	5/16	1.5				1.5	1.5	6.8	15	0
M7EH-0024-IAA	ARE29C4E-IAA	16	14.25	10.52	1/4	5/16	1.5				1.5	1.5	5.5	15	0
M7EH-0029-IAA	ARE35C5E-IAA	16	14.25	10.52	1/4	5/16	1.5				1.5	1.5	9.3	15	0
M7EH-0037-IAA	ARE48C5E-IAA	16	14.25	10.52	1/4	5/16	1.5				1.5	1.5	10.7	15	0
M7EH-0041-IAA	ARE54C5E-IAA	16	14.25	10.52	1/4	5/16	1.5				1.5	1.5	12.3	20	0

Connections listed for -177 (B and P Chassis), -103 (E Chassis), and -118 (T Chassis) BOMs. See OPI for connections for other specific BOMs

*Receiver capacity applies only to units with receivers. See BOM Matrix for included components.

Physical and Electrical Data

Copevap™ welded air-cooled condensing units

Model	Compressor Electrical	Length	Width	Height	Refrigerant* Connections		Receiver Capacity (Lbs @ 90% Volume)						MCA	Max Fuse	Ship Weight
					Liquid	Suction	134a	404A	407C	448A	449A	450A			
E Chassis (cont)															
M7EH-H016-IAA	ARE17C4E-IAA	16.06	15.12	11.75	1/4	5/16	1.5				1.5	1.5	6.1	15	0
M7EH-H022-IAA	ARE25C4E-IAA	16.06	15.12	11.75	1/4	5/16	1.5				1.5	1.5	7	15	0
M7EH-H026-IAA	ARE29C4E-IAA	16.06	15.12	11.75	1/4	5/16	1.5				1.5	1.5	5.8	15	0
M7EH-H032-IAA	ARE35C5E-IAA	16.06	15.12	11.75	1/4	5/16	1.5				1.5	1.5	9.5	15	0
M7EH-H041-IAA	ARE48C5E-IAA	16.06	15.12	11.75	1/4	5/16	1.5				1.5	1.5	10.9	15	0
M7EH-H041-IAV	ARE48C5E-IAV	16.06	15.12	11.75	1/4	5/16	1.5				1.5	1.5	6.9	15	0
M7EH-H044-IAA	RRT62C1E-IAA	16.62	15.27	11.75	1/4	3/8	1.5				1.5	1.5	12.8	20	0
M7EH-H044-IAV	RRT62C1E-IAV	16.62	15.27	11.75	1/4	3/8	1.5				1.5	1.5	6	15	0
M7EH-H046-IAA	ARE54C5E-IAA	16.06	15.12	11.75	1/4	5/16	1.5				1.5	1.5	12.5	20	0
M7EH-H046-IAV	ARE54C5E-IAV	16.06	15.12	11.75	1/4	5/16	1.5				1.5	1.5	6.9	15	0
M7EH-H049-CAA	ARE51C4E-CAA	16.06	15.12	11.75	1/4	5/16	1.5				1.5	1.5	14	20	0
M7EH-H053-CAA	RRT64C1E-CAA	16.26	15.58	11.75	1/4	3/8	1.5				1.5	1.5	14.6	20	0
M7EH-H053-CAV	RRT64C1E-CAV	16.26	15.58	11.75	1/4	3/8	1.5				1.5	1.5	8.6	15	0
M7EH-H053-IAA	RRT64C1E-IAA	16.26	15.62	11.75	1/4	3/8	1.5				1.5	1.5	14.6	20	0
M7EH-H053-IAV	RRT64C1E-IAV	16.71	15.43	11.75	1/4	3/8	1.5				1.5	1.5	8.6	15	0
M7EM-0040-IAA	AFE13C5E-IAA	16	14.25	10.52	1/4	5/16	1.5				1.5	1.5	8.2	15	0
M7EM-H043-IAA	AFE13C5E-IAA	16.06	15.12	11.75	1/4	5/16	1.5				1.5	1.5	8.4	15	0
M7EP-0021-IAA	AFF07C1E-IAA	16	14.25	10.52	1/4	5/16	1.5				1.5	1.5	5.9	15	0
M7EP-0032-IAA	AFF10C1E-IAA	16	14.25	10.52	1/4	5/16	1.5				1.5	1.5	4.9	15	0
M7EP-0034-IAA	AFF13C1E-IAA	16	14.25	10.52	1/4	5/16	1.5				1.5	1.5	11.3	15	0
M7EP-H022-IAA	AFF07C1E-IAA	16.43	15.12	11.75	1/4	5/16	1.5				1.5	1.5	6.1	15	0
M7EP-H034-IAA	AFF10C1E-IAA	16.43	15.12	11.75	1/4	5/16	1.5				1.5	1.5	5.1	15	0
M7EP-H036-IAA	AFF13C1E-IAA	16.43	15.12	11.75	1/4	5/16	1.5				1.5	1.5	11.5	15	0
M7EP-H059-CFA	RFT18C1E-PFA	16.26	15.59	12.46	1/4	3/8	1.5				1.5	1.5	13	20	0
P Chassis															
M6PL-0023-IAA	AFE08C4E-IAA	19.88	11.06	10.65	1/4	5/16	1.3		1.4	1.4			5.5	15	0
M6PL-0030-IAA	AFE11C4E-IAA	19.88	11.06	10.65	1/4	5/16	1.3		1.4	1.4			5.9	15	0
M6PL-0038-IAA	AFE13C4E-IAA	19.88	11.06	11.16	1/4	5/16	1.3		1.4	1.4			7.7	15	0
M6PL-0041-IAA	AFE14C5E-IAA	19.88	11.06	11.16	1/4	5/16	1.3	1.4	1.4	1.4			8.2	15	0
M6PL-0052-IAA	AFE20C5E-IAA	19.88	11.06	11.16	1/4	5/16	1.3		1.4	1.4			8.5	15	0
M6PL-0060-CAV	AFE23C5E-CAV	19.88	11.36	10.65	1/4	5/16	1.3	1.4	1.4	1.4			5.8	15	0
M6PM-0020-IAA	ASE12C4E-IAA	19.88	11.06	10.65	1/4	5/16	1.3	1.4	1.4	1.4			5.4	15	0
M6PM-0023-IAA	ASE14C4E-IAA	19.88	11.06	10.65	1/4	5/16	1.3		1.4	1.4			6.7	15	0
M6PM-0028-CAA	ASE20C4E-CAA	19.88	11.36	10.65	1/4	5/16	1.3		1.4	1.4			7.5	15	0
M6PM-0028-IAA	ASE20C4E-IAA	19.88	11.06	10.65	1/4	5/16	1.3		1.4	1.4			8.2	15	0
M6PM-0030-IAA	ASE24C5E-IAA	19.88	11.06	11.16	1/4	5/16	1.3		1.4	1.4			8.4	15	0
M7PH-0012-IAA	ARE13C4E-IAA	19.88	11.06	10.65	1/4	5/16	1.5				1.5	1.5	5.9	15	0
M7PH-0015-IAA	ARE17C4E-IAA	19.88	11.06	10.65	1/4	5/16	1.5				1.5	1.5	5.9	15	0
M7PH-0020-IAA	ARE25C4E-IAA	19.88	11.06	10.65	1/4	5/16	1.5				1.5	1.5	6.8	15	0
M7PH-0024-IAA	ARE29C4E-IAA	19.88	11.06	10.65	1/4	5/16	1.5				1.5	1.5	4.4	15	0
M7PH-0029-IAA	ARE35C5E-IAA	19.88	11.06	11.16	1/4	5/16	1.5				1.5	1.5	9.3	15	0
M7PH-0038-IAA	ARE48C5E-IAA	19.88	11.06	11.16	1/4	5/16	1.5				1.5	1.5	10.7	15	0
M7PH-0042-IAA	ARE54C5E-IAA	19.88	11.06	11.16	1/4	5/16	1.5				1.5	1.5	12.3	20	0
M7PM-0036-IAA	AFE12C4E-IAA	19.88	11.06	11.16	1/4	5/16	1.5				1.5	1.5	8.8	15	0
M7PP-0021-IAA	AFF07C1E-IAA	19.9	11.06	11.69	1/4	5/16	1.5				1.5	1.5	5.9	15	0
M7PP-0032-IA3	AFF10C1E-IA3	19.9	11.06	11.69	1/4	5/16	1.5				1.5	1.5	5.2	15	0
M7PP-0032-IAA	AFF10C1E-IAA	19.9	11.06	11.69	1/4	5/16	1.5				1.5	1.5	4.9	15	0
M7PP-0034-IAA	AFF13C1E-IAA	19.9	11.06	11.69	1/4	5/16	1.5				1.5	1.5	11.3	15	0
MUPL-0024-IAA	AFM06C1U-IAA	19.88	11.66	10.46	1/4	1/4							5.7	15	
MUPL-0029-IAA	AFF10C1U-IAA	20.12	11.66	10.47	1/4	5/16							11.3	15	
MUPL-0041-IAA	AFF12C1U-IAA	20.12	11.66	10.47	1/4	5/16							11.3	15	
MUPL-0045-IAA	AFE15C5U-IAA	19.88	11.66	10.46	1/4	5/16							8.2	15	
MUPL-0057-IAA	AFE20C5U-IAA	19.88	11.66	10.46	1/4	5/16							9.2	15	
MUPL-0058-CAA	AFE20C5U-CAA	19.88	11.84	10.46	1/4	5/16							9.2	15	
MUPL-0070-CAA	AFE25C5U-CAA	19.88	11.84	10.46	1/4	5/16							9.5	15	

Connections listed for -177 (B and P Chassis), -103 (E Chassis), and -118 (T Chassis) BOMs. See OPI for connections for other specific BOMs

*Receiver capacity applies only to units with receivers. See BOM Matrix for included components.

Physical and Electrical Data

Copevap™ welded air-cooled condensing units

Model	Compressor Electrical	Length	Width	Height	Refrigerant* Connections		Receiver Capacity (Lbs @ 90% Volume)						MCA	Max Fuse	Ship Weight
					Liquid	Suction	134a	404A	407C	448A	449A	450A			
P Chassis (cont)															
MUPM-0022-IAA	ASE12C4U-IAA	19.88	11.66	10.46	1/4	5/16							6.3	15	
MUPM-0024-IAA	ASE17C4U-IAA	19.88	11.66	10.46	1/4	5/16							6.9	15	
MUPM-0031-IAA	ASE21C5U-IAA	19.88	11.66	10.46	1/4	5/16							6.9	15	
MUPM-0039-IAA	ASE32C4U-IAA	19.88	11.66	10.46	1/4	5/16							13.2	20	
MUPM-0047-IAA	ASE37C5U-IAA	19.88	11.66	10.46	1/4	5/16							9.7	15	
MUPM-0048-CAA	ASE37C5U-CAA	19.88	11.84	10.46	1/4	5/16							9.7	15	
T Chassis															
M6TL-0018-IAA	AFE06C4E-IAA	19	9.41	10.53	1/4	5/16	1.3	1.4	1.4				4.5	15	0
M6TL-0022-IAA	AFE08C4E-IAA	19	9.41	10.53	1/4	5/16	1.3	1.4	1.4				5.5	15	0
M6TL-0029-IAA	AFE11C4E-IAA	19	9.41	10.53	1/4	5/16	1.3	1.4	1.4				5.9	15	0
M6TL-0037-IAA	AFE13C4E-IAA	19	9.41	10.53	1/4	5/16	1.3	1.4	1.4				7.7	15	0
M6TL-0040-IAA	AFE14C5E-IAA	19	9.41	10.53	1/4	5/16	1.3	1.4	1.4				8.2	15	0
M6TL-0040-IAV	AFE14C5E-IAV	19.04	8.47	10.53	1/4	5/16	1.3	1.4	1.4				4.3	15	0
M6TL-0051-IAA	AFE20C5E-IAA	19	9.41	10.53	1/4	5/16	1.3	1.4	1.4				8.5	15	0
M6TL-0051-IAV	AFE20C5E-IAV	19	9.41	10.53	1/4	5/16	1.3	1.4	1.4				5.9	15	0
M6TM-0020-IAA	ASE12C4E-IAA	19	9.41	10.53	1/4	5/16	1.3	1.4	1.4				5.4	15	0
M6TM-0022-IAA	ASE14C4E-IAA	19	9.41	10.53	1/4	5/16	1.3	1.4	1.4				6.7	15	0
M6TM-0027-IAA	ASE20C4E-IAA	19	9.41	10.53	1/4	5/16	1.3	1.4	1.4				8.2	15	0
M6TM-0027-IAV	ASE20C4E-IAV	19	9.41	10.53	1/4	5/16	1.3	1.4	1.4				4.3	15	0
M6TM-0028-IAA	ASE24C5E-IAA	19	9.41	10.53	1/4	5/16	1.3	1.4	1.4				8.4	15	0
M6TM-0032-IAA	ASE28C5E-IAA	19	9.41	10.53	1/4	5/16	1.3	1.4	1.4				9.7	15	0
M6TM-0032-IAV	ASE28C5E-IAV	19	9.41	10.53	1/4	5/16	1.3	1.4	1.4				5.6	15	0
M7TH-0012-IAA	ARE13C4E-IAA	19	9.41	10.53	1/4	5/16	1.5			1.5	1.5		5.9	15	0
M7TH-0015-IAA	ARE17C4E-IAA	19	9.41	10.53	1/4	5/16	1.5			1.5	1.5		5.9	15	0
M7TH-0020-IAA	ARE25C4E-IAA	19	9.41	10.53	1/4	5/16	1.5			1.5	1.5		6.8	15	0
M7TH-0023-IAA	ARE29C4E-IAA	19	9.41	10.53	1/4	5/16	1.5			1.5	1.5		5.5	15	0
M7TH-0025-IAA	ARE34C4E-IAA	19	9.41	10.53	1/4	5/16	1.5			1.5	1.5		6.4	15	0
M7TH-0025-IAV	ARE34C4E-IAV	19	9.41	10.53	1/4	5/16	1.5			1.5	1.5		4.9	15	0
M7TH-0028-IAA	ARE35C5E-IAA	19	9.41	10.53	1/4	5/16	1.5			1.5	1.5		9.3	15	0
M7TH-0033-IAV	ARE42C5E-IAV	19	9.41	10.53	1/4	5/16	1.5			1.5	1.5		5.1	15	0
M7TH-0036-IAA	ARE48C5E-IAA	19	9.41	10.53	1/4	5/16	1.5			1.5	1.5		10.7	15	0
M7TH-0036-IAV	ARE48C5E-IAV	19	9.41	10.53	1/4	5/16	1.5			1.5	1.5		6.8	15	0
M7TM-0035-IAA	AFE12C4E-IAA	19	9.41	10.53	1/4	5/16	1.5			1.5	1.5		8.8	15	0
M7TP-0020-IAA	AFF07C1E-IAA	19.34	9.41	10.53	1/4	5/16	1.5			1.5	1.5		5.9	15	38
M7TP-0032-IA3	AFF10C1E-IA3	19.34	9.14	10.53	1/4	1/4	1.5			1.5	1.5		5.2	15	0
M7TP-0032-IAA	AFF10C1E-IAA	19.34	9.41	10.53	1/4	5/16	1.5			1.5	1.5		4.9	15	0
M7TP-0033-IAA	AFF13C1E-IAA	19.34	9.41	10.53	1/4	5/16	1.5			1.5	1.5		11.3	15	0

Connections listed for -177 (B and P Chassis), -103 (E Chassis), and -118 (T Chassis) BOMs. See OPI for connections for other specific BOMs

*Receiver capacity applies only to units with receivers. See BOM Matrix for included components.

R-134a Condensate Base MT/EMT

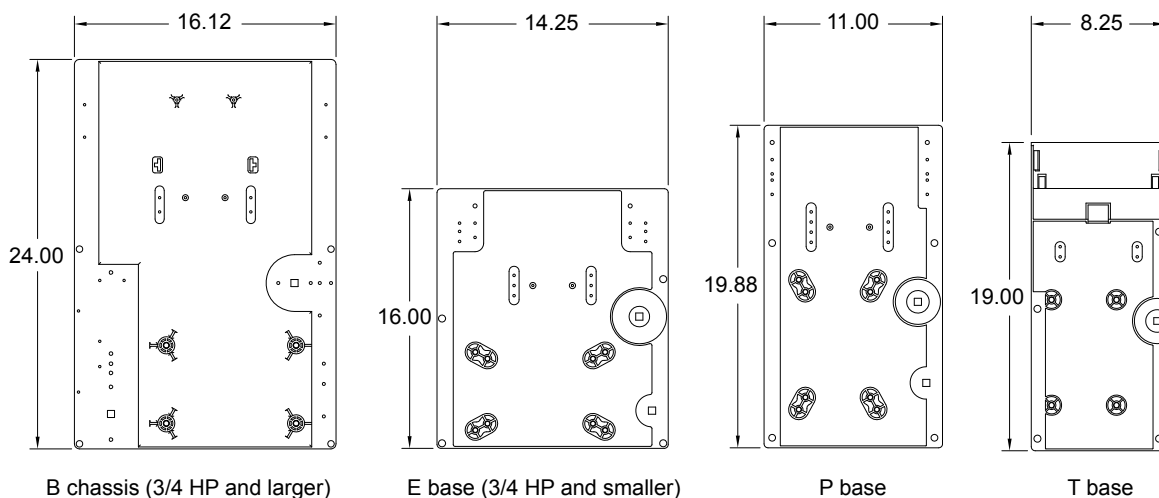
Copevap welded air-cooled condensing units

Model	Compressor	-25	-20	-15	-10	-5	0	5	10	15	20	25	30
90° Ambient													
M7TP-0020-IAA	AFF07C1E-IAA	544	638	743	859	987	1130	1280	1450	1630	1820	2030	
M7EP-0021-IAA	AFF07C1E-IAA	548	643	749	867	997	1140	1300	1470	1650	1850	2060	
M7PP-0021-IAA	AFF07C1E-IAA	548	643	749	867	997	1140	1300	1470	1650	1850	2060	
M7EP-H022-IAA	AFF07C1E-IAA	555	651	759	879	1010	1160	1320	1490	1680	1880	2100	
M7TP-0032-IA3	AFF10C1E-IA3	824	969	1130	1310	1500	1710	1940	2190	2450	2730	3030	
M7TP-0032-IAA	AFF10C1E-IAA	824	969	1130	1310	1500	1710	1940	2190	2450	2730	3030	
M7EP-0032-IAA	AFF10C1E-IAA	834	982	1150	1330	1530	1740	1980	2230	2500	2790	3100	
M7PP-0032-IA3	AFF10C1E-IA3	834	982	1150	1330	1530	1740	1980	2230	2500	2790	3100	
M7PP-0032-IAA	AFF10C1E-IAA	834	982	1150	1330	1530	1740	1980	2230	2500	2790	3100	
M7EP-H034-IAA	AFF10C1E-IAA	849	1000	1170	1350	1560	1780	2030	2290	2570	2880	3200	
M7TP-0033-IAA	AFF13C1E-IAA	951	1120	1300	1500	1720	1960	2210	2490	2780	3090	3420	
M7TM-0035-IAA	AFF13C1E-IAA	983	1140	1330	1540	1760	2010	2270	2550	2830	3120		
M7EP-0034-IAA	AFF13C1E-IAA	964	1130	1320	1530	1750	2000	2260	2550	2850	3180	3520	
M7PP-0034-IAA	AFF13C1E-IAA	964	1130	1320	1530	1750	2000	2260	2550	2850	3180	3520	
M7PM-0036-IAA	AFF13C1E-IAA	995	1160	1350	1560	1800	2050	2320	2610	2910	3210		
M7EP-H036-IAA	AFF13C1E-IAA	984	1160	1350	1560	1800	2050	2330	2630	2950	3290	3650	
M7EM-H043-IAA	AFF13C5E-IAA	1030	1210	1410	1640	1900	2170	2460	2770	3090	3420		
M7EP-H059-CFA	RFT18C1E-PFA	1420	1760	2110	2470	2830	3200	3570	3950	4340	4730	5120	5530
100° Ambient													
M7TP-0020-IAA	AFF07C1E-IAA	491	579	677	786	906	1040	1180	1340	1500	1690	1880	
M7EP-0021-IAA	AFF07C1E-IAA	494	584	683	794	916	1050	1200	1360	1530	1710	1910	
M7PP-0021-IAA	AFF07C1E-IAA	494	584	683	794	916	1050	1200	1360	1530	1710	1910	
M7EP-H022-IAA	AFF07C1E-IAA	501	592	693	806	930	1070	1220	1380	1560	1750	1950	
M7TP-0032-IA3	AFF10C1E-IA3	738	873	1020	1190	1370	1570	1780	2010	2250	2510	2790	
M7TP-0032-IAA	AFF10C1E-IAA	738	873	1020	1190	1370	1570	1780	2010	2250	2510	2790	
M7EP-0032-IAA	AFF10C1E-IAA	747	885	1040	1210	1390	1600	1810	2050	2300	2580	2860	
M7PP-0032-IA3	AFF10C1E-IA3	747	885	1040	1210	1390	1600	1810	2050	2300	2580	2860	
M7PP-0032-IAA	AFF10C1E-IAA	747	885	1040	1210	1390	1600	1810	2050	2300	2580	2860	
M7EP-H034-IAA	AFF10C1E-IAA	761	903	1060	1230	1430	1640	1860	2110	2370	2660	2960	
M7TP-0033-IAA	AFF13C1E-IAA	850	1010	1180	1360	1570	1790	2030	2280	2560	2850	3150	
M7TM-0035-IAA	AFF13C1E-IAA	903	1050	1220	1410	1620	1850	2090	2340	2590	2860		
M7EP-0034-IAA	AFF13C1E-IAA	863	1020	1200	1390	1600	1830	2080	2340	2620	2930	3250	
M7PP-0034-IAA	AFF13C1E-IAA	863	1020	1200	1390	1600	1830	2080	2340	2620	2930	3250	
M7PM-0036-IAA	AFF13C1E-IAA	914	1070	1240	1440	1660	1890	2140	2400	2670	2950		
M7EP-H036-IAA	AFF13C1E-IAA	882	1040	1220	1420	1640	1880	2140	2420	2720	3030	3370	
M7EM-H043-IAA	AFF13C5E-IAA	940	1110	1300	1520	1750	2000	2270	2560	2850	3160		
M7EP-H059-CFA	RFT18C1E-PFA		1510	1850	2200	2550	2900	3260	3630	4000	4380	4770	5160
110° Ambient													
M7TP-0020-IAA	AFF07C1E-IAA	437	519	611	712	824	947	1080	1230	1380	1550	1730	
M7EP-0021-IAA	AFF07C1E-IAA	440	523	616	719	833	957	1090	1240	1400	1580	1770	
M7PP-0021-IAA	AFF07C1E-IAA	440	523	616	719	833	957	1090	1240	1400	1580	1770	
M7EP-H022-IAA	AFF07C1E-IAA	449	533	628	733	849	977	1120	1270	1440	1610	1810	
M7TP-0032-IA3	AFF10C1E-IA3	651	777	916	1070	1240	1420	1620	1830	2060	2300	2560	
M7TP-0032-IAA	AFF10C1E-IAA	651	777	916	1070	1240	1420	1620	1830	2060	2300	2560	
M7EP-0032-IAA	AFF10C1E-IAA	659	787	930	1090	1260	1450	1650	1870	2110	2360	2630	
M7PP-0032-IA3	AFF10C1E-IA3	659	787	930	1090	1260	1450	1650	1870	2110	2360	2630	
M7PP-0032-IAA	AFF10C1E-IAA	659	787	930	1090	1260	1450	1650	1870	2110	2360	2630	
M7EP-H034-IAA	AFF10C1E-IAA	675	807	953	1110	1290	1490	1700	1930	2180	2440	2730	
M7TP-0033-IAA	AFF13C1E-IAA	751	895	1050	1230	1420	1620	1840	2080	2330	2600	2880	
M7TM-0035-IAA	AFF13C1E-IAA		960	1110	1280	1470	1680	1890	2110	2340			
M7EP-0034-IAA	AFF13C1E-IAA	761	909	1070	1250	1450	1660	1890	2140	2400	2680	2980	
M7PP-0034-IAA	AFF13C1E-IAA	761	909	1070	1250	1450	1660	1890	2140	2400	2680	2980	
M7PM-0036-IAA	AFF13C1E-IAA		973	1130	1310	1510	1720	1950	2180	2430	2670		
M7EP-H036-IAA	AFF13C1E-IAA	781	933	1100	1290	1490	1710	1950	2210	2490	2790	3100	
M7EM-H043-IAA	AFF13C5E-IAA	850	1010	1190	1390	1600	1840	2090	2350	2630	2910		
M7EP-H059-CFA	RFT18C1E-PFA				1920	2270	2620	2980	3340	3710			

Capacities rated at 40°F return gas, 5°F subcooling

Model	Compressor	-10	-5	0	5	10	15	20	25	30	35	40	45
110° Ambient													
M7TH-0012-IAA	ARE13C4E-IAA			520	603	692	790	897	1010	1140	1280	1420	1580
M7PH-0012-IAA	ARE13C4E-IAA			524	608	699	798	907	1030	1160	1300	1450	1610
M7EH-H016-IAA	ARE17C4E-IAA			634	732	840	957	1090	1220	1380			
M7TH-0015-IAA	ARE17C4E-IAA			654	752	859	975	1100	1240	1390	1540	1710	1900
M7PH-0015-IAA	ARE17C4E-IAA			660	760	868	987	1120	1260	1410	1570	1750	1930
M7EH-H022-IAA	ARE25C4E-IAA			871	996	1140	1290	1450	1640	1830			
M7TH-0020-IAA	ARE25C4E-IAA				1020	1160	1310	1470	1650	1840	2040	2260	2500
M7EH-0020-IAA	ARE25C4E-IAA			911	1040	1180	1330	1500	1680	1880	2090	2320	2570
M7PH-0020-IAA	ARE25C4E-IAA			911	1040	1180	1330	1500	1680	1880	2090	2320	2570
M7TH-0023-IAA	ARE29C4E-IAA					1370	1530	1710	1900	2100	2320	2540	2770
M7TH-0025-IAA	ARE34C4E-IAA				1220	1360	1530	1700	1900	2110	2330	2570	2810
M7TH-0025-IAV	ARE34C4E-IAV				1220	1360	1530	1700	1900	2110	2330	2570	2810
M7EH-H026-IAA	ARE29C4E-IAA			1090	1220	1360	1530	1720	1920	2140			
M7EH-0024-IAA	ARE29C4E-IAA				1250	1400	1560	1740	1940	2160	2380	2620	2860
M7PH-0024-IAA	ARE29C4E-IAA				1250	1400	1560	1740	1940	2160	2380	2620	2860
M7TH-0028-IAA	ARE35C5E-IAA					1580	1790	2010	2250	2500	2770		
M7EH-H032-IAA	ARE35C5E-IAA				1370	1570	1780	2010	2260	2530			
M7EH-0029-IAA	ARE35C5E-IAA					1610	1820	2050	2300	2560	2840	3130	
M7PH-0029-IAA	ARE35C5E-IAA					1610	1820	2050	2300	2560	2840	3130	
M7EH-H041-IAA	ARE48C5E-IAA					2120	2380	2660	2940	3250			
M7EH-H041-IAV	ARE48C5E-IAV					2120	2380	2660	2940	3250			
M7EH-0037-IAA	ARE48C5E-IAA							2700	2980				
M7PH-0038-IAA	ARE48C5E-IAA							2700	2980				
M7EH-H044-IAA	RRT62C1E-IAA					2340	2630	2930	3260	3590			
M7EH-H044-IAV	RRT62C1E-IAV					2340	2630	2930	3260	3590			
M7EH-H046-IAA	ARE54C5E-IAA						2640	2940	3260	3580			
M7EH-H046-IAV	ARE54C5E-IAV						2640	2940	3260	3580			
M7EH-H053-CAA	RRT64C1E-CAA					2660	2980	3330	3680				
M7EH-H053-CAV	RRT64C1E-CAV					2660	2980	3330	3680				
M7EH-H053-IAA	RRT64C1E-IAA					2660	2980	3330	3680				
M7EH-H053-IAV	RRT64C1E-IAV					2660	2980	3330	3680				
M7BH-0060-CAA	RRT64C1E-CAA				2770	3160	3580	4030	4520	5020	5560	6120	6700
M7BH-0060-CAV	RRT64C1E-CAV				2770	3160	3580	4030	4520	5020	5560	6120	6700
M7BH-0064-CAA	RRT73C1E-CAA				3110	3550	4010	4490	5000	5530	6080	6660	7260
M7BH-0064-CAV	RRT73C1E-CAV				3110	3550	4010	4490	5000	5530	6080	6660	7260
M7BH-0075-CFA	RRT81C1E-PFA				3110	3600	4170	4810	5500	6210	6950	7680	
M7BH-0075-CFV	RRT81C1E-PFV				3110	3600	4170	4810	5500	6210	6950	7680	
M7BH-0086-CFA	RRT10K1E-PFA					4740	5280	5840	6410	6990			
M7BH-0086-CFV	RRT10K1E-PFV					4740	5280	5840	6410	6990			

Capacities rated at 40°F return gas (65°F return gas for capacities in **bold**), 5°F subcooling



R-134a Condensate Base HT

Copevap welded air-cooled condensing units

Model	Compressor	-10	-5	0	5	10	15	20	25	30	35	40	45
90° Ambient													
M7TH-0012-IAA	ARE13C4E-IAA			626	721	825	939	1060	1200	1350	1500	1680	1860
M7PH-0012-IAA	ARE13C4E-IAA			630	727	832	948	1070	1210	1360	1520	1700	1890
M7EH-H016-IAA	ARE17C4E-IAA			756	869	992	1130	1270	1430	1610			
M7TH-0015-IAA	ARE17C4E-IAA			775	887	1010	1140	1290	1440	1610	1790	1980	2190
M7PH-0015-IAA	ARE17C4E-IAA			781	895	1020	1150	1300	1460	1630	1820	2010	2230
M7EH-H022-IAA	ARE25C4E-IAA			1030	1180	1350	1520	1710	1920	2140			
M7TH-0020-IAA	ARE25C4E-IAA			1060	1210	1370	1550	1730	1940	2150	2390	2640	2900
M7EH-0020-IAA	ARE25C4E-IAA			1070	1230	1390	1570	1760	1970	2190	2430	2680	2960
M7PH-0020-IAA	ARE25C4E-IAA			1070	1230	1390	1570	1760	1970	2190	2430	2680	2960
M7TH-0023-IAA	ARE29C4E-IAA			1280	1440	1610	1800	2020	2250	2490	2750	3020	3300
M7TH-0025-IAA	ARE34C4E-IAA			1290	1440	1610	1800	2020	2250	2500	2760	3040	3330
M7TH-0025-IAV	ARE34C4E-IAV			1290	1440	1610	1800	2020	2250	2500	2760	3040	3330
M7EH-H026-IAA	ARE29C4E-IAA			1270	1430	1610	1810	2040	2280	2540			
M7EH-0024-IAA	ARE29C4E-IAA			1300	1450	1630	1830	2050	2290	2540	2810	3090	3390
M7PH-0024-IAA	ARE29C4E-IAA			1300	1450	1630	1830	2050	2290	2540	2810	3090	3390
M7TH-0028-IAA	ARE35C5E-IAA			1430	1620	1830	2070	2320	2590	2870	3170	3490	3830
M7EH-H032-IAA	ARE35C5E-IAA			1410	1610	1830	2070	2330	2610	2910			
M7EH-0029-IAA	ARE35C5E-IAA			1450	1640	1860	2100	2360	2640	2930	3240	3570	3920
M7PH-0029-IAA	ARE35C5E-IAA			1450	1640	1860	2100	2360	2640	2930	3240	3570	3920
M7TH-0036-IAA	ARE48C5E-IAA			1900	2170	2450	2740	3050	3370	3700	4050	4400	4770
M7TH-0036-IAV	ARE48C5E-IAV			1900	2170	2450	2740	3050	3370	3700	4050	4400	4770
M7EH-H041-IAA	ARE48C5E-IAA			1880	2150	2450	2760	3090	3430	3790			
M7EH-H041-IAV	ARE48C5E-IAV			1880	2150	2450	2760	3090	3430	3790			
M7EH-0037-IAA	ARE48C5E-IAA			1930	2200	2490	2800	3120	3450	3800	4170	4540	4930
M7PH-0038-IAA	ARE48C5E-IAA			1930	2200	2490	2800	3120	3450	3800	4170	4540	4930
M7EH-H046-IAA	ARE54C5E-IAA			2090	2400	2720	3060	3420	3800	4190			
M7EH-H046-IAV	ARE54C5E-IAV			2090	2400	2720	3060	3420	3800	4190			
M7EH-0041-IAA	ARE54C5E-IAA			2140	2450	2770	3110	3460	3830	4210	4590	4980	5380
M7PH-0042-IAA	ARE54C5E-IAA			2140	2450	2770	3110	3460	3830	4210	4590	4980	5380
M7EH-H044-IAA	RRT62C1E-IAA		1960	2210	2500	2810	3150	3510	3890	4280			
M7EH-H044-IAV	RRT62C1E-IAV		1960	2210	2500	2810	3150	3510	3890	4280			
M7EH-H053-CAA	RRT64C1E-CAA		2240	2540	2860	3220	3600	3990	4410	4850			
M7EH-H053-CAV	RRT64C1E-CAV		2240	2540	2860	3220	3600	3990	4410	4850			
M7EH-H053-IAA	RRT64C1E-IAA		2240	2540	2860	3220	3600	3990	4410	4850			
M7EH-H053-IAV	RRT64C1E-IAV		2240	2540	2860	3220	3600	3990	4410	4850			
M7BH-0060-CAA	RRT64C1E-CAA	2300	2620	2970	3360	3790	4260	4760	5290	5860	6440	7060	7690
M7BH-0060-CAV	RRT64C1E-CAV	2300	2620	2970	3360	3790	4260	4760	5290	5860	6440	7060	7690
M7BH-0064-CAA	RRT73C1E-CAA	2420	2850	3290	3760	4250	4770	5310	5890	6490	7130	7800	8490
M7BH-0064-CAV	RRT73C1E-CAV	2420	2850	3290	3760	4250	4770	5310	5890	6490	7130	7800	8490
M7BH-0075-CFA	RRT81C1E-PFA		3060	3480	4000	4600	5270	5980	6720	7470	8230	8980	9700
M7BH-0075-CFV	RRT81C1E-PFV		3060	3480	4000	4600	5270	5980	6720	7470	8230	8980	9700
M7BH-0086-CFA	RRT10K1E-PFA		3840	4430	5040	5660	6290	6940	7610	8300	9010	9750	10500
M7BH-0086-CFV	RRT10K1E-PFV		3840	4430	5040	5660	6290	6940	7610	8300	9010	9750	10500

Capacities rated at 40°F return gas (65°F return gas for capacities in **bold**), 5°F subcooling

R-134a Condensate Base HT

Copevap welded air-cooled condensing units

Model	Compressor	-10	-5	0	5	10	15	20	25	30	35	40	45
100° Ambient													
M7TH-0012-IAA	ARE13C4E-IAA			574	663	760	867	982	1110	1250	1390	1550	1720
M7PH-0012-IAA	ARE13C4E-IAA			578	669	767	876	994	1120	1260	1410	1580	1750
M7EH-H016-IAA	ARE17C4E-IAA			697	802	918	1040	1180	1330	1490			
M7TH-0015-IAA	ARE17C4E-IAA			717	822	936	1060	1200	1340	1500	1670	1850	2040
M7PH-0015-IAA	ARE17C4E-IAA			723	830	946	1070	1210	1360	1520	1700	1880	2080
M7EH-H022-IAA	ARE25C4E-IAA			955	1090	1250	1410	1590	1790	2000			
M7TH-0020-IAA	ARE25C4E-IAA			985	1120	1270	1430	1610	1800	2000	2220	2460	2710
M7EH-0020-IAA	ARE25C4E-IAA			996	1140	1290	1450	1640	1830	2040	2270	2510	2770
M7PH-0020-IAA	ARE25C4E-IAA			996	1140	1290	1450	1640	1830	2040	2270	2510	2770
M7TH-0023-IAA	ARE29C4E-IAA			1190	1330	1490	1670	1860	2070	2300	2530	2780	3040
M7TH-0025-IAA	ARE34C4E-IAA			1190	1330	1480	1660	1860	2070	2310	2550	2810	3070
M7TH-0025-IAV	ARE34C4E-IAV			1190	1330	1480	1660	1860	2070	2310	2550	2810	3070
M7EH-H026-IAA	ARE29C4E-IAA			1180	1320	1490	1670	1880	2100	2340			
M7EH-0024-IAA	ARE29C4E-IAA			1210	1350	1510	1700	1900	2120	2350	2600	2860	3130
M7PH-0024-IAA	ARE29C4E-IAA			1210	1350	1510	1700	1900	2120	2350	2600	2860	3130
M7TH-0028-IAA	ARE35C5E-IAA			1320	1510	1710	1930	2160	2420	2690	2970	3270	3590
M7EH-H032-IAA	ARE35C5E-IAA			1310	1490	1700	1930	2170	2440	2720			
M7EH-0029-IAA	ARE35C5E-IAA			1340	1530	1740	1960	2200	2470	2740	3040	3350	3680
M7PH-0029-IAA	ARE35C5E-IAA			1340	1530	1740	1960	2200	2470	2740	3040	3350	3680
M7TH-0036-IAA	ARE48C5E-IAA			1790	2030	2290	2560	2840	3130	3440	3750		
M7TH-0036-IAV	ARE48C5E-IAV			1790	2030	2290	2560	2840	3130	3440	3750		
M7EH-H041-IAA	ARE48C5E-IAA			1750	2010	2280	2570	2870	3190	3520			
M7EH-H041-IAV	ARE48C5E-IAV			1750	2010	2280	2570	2870	3190	3520			
M7EH-0037-IAA	ARE48C5E-IAA			1810	2070	2330	2620	2910	3220	3540	3870	4210	
M7PH-0038-IAA	ARE48C5E-IAA			1810	2070	2330	2620	2910	3220	3540	3870	4210	
M7EH-H046-IAA	ARE54C5E-IAA			1930	2220	2530	2850	3190	3540	3890			
M7EH-H046-IAV	ARE54C5E-IAV			1930	2220	2530	2850	3190	3540	3890			
M7EH-H044-IAA	RRT62C1E-IAA			2030	2280	2570	2880	3210	3560	3930			
M7EH-H044-IAV	RRT62C1E-IAV			2030	2280	2570	2880	3210	3560	3930			
M7EH-0041-IAA	ARE54C5E-IAA			1990	2280	2590	2900	3230	3570	3910	4260		
M7PH-0042-IAA	ARE54C5E-IAA			1990	2280	2590	2900	3230	3570	3910	4260		
M7EH-H053-CAA	RRT64C1E-CAA				2610	2930	3280	3660	4040	4450			
M7EH-H053-CAV	RRT64C1E-CAV				2610	2930	3280	3660	4040	4450			
M7EH-H053-IAA	RRT64C1E-IAA				2610	2930	3280	3660	4040	4450			
M7EH-H053-IAV	RRT64C1E-IAV				2610	2930	3280	3660	4040	4450			
M7BH-0060-CAA	RRT64C1E-CAA			2680	3050	3460	3900	4380	4890	5420	5980	6560	7170
M7BH-0060-CAV	RRT64C1E-CAV			2680	3050	3460	3900	4380	4890	5420	5980	6560	7170
M7BH-0064-CAA	RRT73C1E-CAA			2970	3410	3890	4380	4900	5440	6010	6610	7230	7880
M7BH-0064-CAV	RRT73C1E-CAV			2970	3410	3890	4380	4900	5440	6010	6610	7230	7880
M7BH-0075-CFA	RRT81C1E-PFA			3080	3530	4090	4710	5390	6110	6850	7590	8340	9060
M7BH-0075-CFV	RRT81C1E-PFV			3080	3530	4090	4710	5390	6110	6850	7590	8340	9060
M7BH-0086-CFA	RRT10K1E-PFA				4620	5200	5790	6390	7010	7640	8300	8970	9670
M7BH-0086-CFV	RRT10K1E-PFV				4620	5200	5790	6390	7010	7640	8300	8970	9670

Capacities rated at 40°F return gas (65°F return gas for capacities in **bold**), 5°F subcooling

R-290 Condensate Base LT

Copevap welded air-cooled condensing units

Model	Compressor	-30	-25	-20	-15	-10	-5	0	5	10	15	20	25
90° Ambient													
MUPL-0024-IAA	AFM06C1U-IAA		678	763	856	960	1070	1200	1340	1490	1650	1830	2010
MUPL-0029-IAA	AFF10C1U-IAA		961	1080	1220	1370	1540	1720	1910	2120	2340	2580	2830
MUPL-0041-IAA	AFF12C1U-IAA		1170	1320	1480	1660	1850	2050	2260	2490	2720	2970	3240
MUPL-0045-IAA	AFE15C5U-IAA	1080	1240	1420	1600	1800	2020	2240	2480	2730			
MUPL-0057-IAA	AFE20C5U-IAA	1390	1590	1810	2040	2290	2550	2820	3110	3420			
MUPL-0058-CAA	AFE20C5U-CAA	1380	1580	1810	2050	2320	2600	2890	3200	3520			
MUPL-0070-CAA	AFE25C5U-CAA	1700	1950	2220	2500	2800	3120	3450	3790	4140			
100° Ambient													
MUPL-0024-IAA	AFM06C1U-IAA		625	703	789	884	988	1100	1230	1360	1510	1670	1840
MUPL-0029-IAA	AFF10C1U-IAA		886	998	1120	1260	1410	1580	1760	1950	2150	2370	2590
MUPL-0041-IAA	AFF12C1U-IAA		1090	1230	1380	1550	1720	1910	2110	2330	2550	2780	3030
MUPL-0045-IAA	AFE15C5U-IAA	986	1130	1290	1460	1640	1840	2050	2270	2500			
MUPL-0057-IAA	AFE20C5U-IAA	1260	1450	1650	1870	2100	2340	2600	2870	3150			
MUPL-0058-CAA	AFE20C5U-CAA	1260	1440	1660	1890	2130	2390	2660	2940	3230			
MUPL-0070-CAA	AFE25C5U-CAA	1560	1790	2030	2290	2560	2850	3130	3430	3730			
110° Ambient													
MUPL-0024-IAA	AFM06C1U-IAA		568	640	719	805	900	1000	1120	1240	1380	1520	1680
MUPL-0029-IAA	AFF10C1U-IAA		807	909	1020	1150	1290	1440	1600	1780	1960	2160	2370
MUPL-0041-IAA	AFF12C1U-IAA			1130	1280	1430	1600	1780	1970	2160	2370	2590	2820
MUPL-0045-IAA	AFE15C5U-IAA		1020	1160	1320	1490	1670	1870	2080	2300			
MUPL-0057-IAA	AFE20C5U-IAA	1140	1310	1490	1690	1910							
MUPL-0058-CAA	AFE20C5U-CAA		1320	1520	1730	1950	2190	2430	2680	2930			
MUPL-0070-CAA	AFE25C5U-CAA		1630	1850	2070	2310	2550	2790	3030				

Capacities rated at 40°F return gas, 5°F subcooling

R-290 Condensate Base MT

Copevap welded air-cooled condensing units

Model	Compressor	-10	-5	0	5	10	15	20	25	30
90° Ambient										
MUJM-0019-IAA	ASE12C4U-IAA	861	969	1090	1220	1360	1500	1660	1820	
MUPM-0022-IAA	ASE12C4U-IAA	922	1040	1160	1310	1460	1630	1800	1990	2190
MUPM-0024-IAA	ASE17C4U-IAA	1100	1220	1360	1510	1680	1860	2050	2250	2460
MUPM-0031-IAA	ASE21C5U-IAA	1290	1450	1630	1830	2040	2270	2510	2760	3030
MUPM-0039-IAA	ASE32C4U-IAA	1970	2170	2390	2640	2910	3200	3500	3800	4110
MUPM-0047-IAA	ASE37C5U-IAA	2140	2380	2630	2900	3190	3490	3800	4120	4460
MUPM-0048-CAA	ASE37C5U-CAA	2170	2410	2660	2940	3230	3540	3860	4190	4530
100° Ambient										
MUPM-0022-IAA	ASE12C4U-IAA	828	939	1060	1190	1340	1490	1650	1830	2000
MUPM-0024-IAA	ASE17C4U-IAA	1010	1120	1250	1390	1540	1710	1880	2070	2260
MUPM-0031-IAA	ASE21C5U-IAA	1190	1340	1510	1700	1890	2100	2320	2550	2790
MUPM-0039-IAA	ASE32C4U-IAA	1770	1970	2190	2420	2670	2930	3200	3460	3720
MUPM-0047-IAA	ASE37C5U-IAA	1960	2180	2410	2660	2930	3210			
MUPM-0048-CAA	ASE37C5U-CAA	2000	2210	2450	2700	2970	3250			
100° Ambient										
MUPM-0022-IAA	ASE12C4U-IAA	746	850	963	1090	1220	1360	1500	1660	1810
MUPM-0024-IAA	ASE17C4U-IAA	929	1030	1140	1270	1410	1560	1710	1880	2050
MUPM-0031-IAA	ASE21C5U-IAA	1100	1240	1390	1550	1720	1900	2090		
MUPM-0039-IAA	ASE32C4U-IAA	1600	1790	1990	2210	2430	2660	2890		
MUPM-0047-IAA	ASE37C5U-IAA	1780	1980							
MUPM-0048-CAA	ASE37C5U-CAA	1830	2030							

Capacities rated at 40°F return gas, 5°F subcooling

R-404A Condensate Base LT/EMT

Copevap welded air-cooled condensing units

Model	Compressor	-30	-25	-20	-15	-10	-5	0	5	10	15	20	25	30
90° Ambient														
M6TL-0018-IAA	AFE06C4E-IAA	512	582	661	748	842	943	1050	1160	1280				
M6TL-0022-IAA	AFE08C4E-IAA	645	731	825	927	1030	1150	1270	1390	1520				
M6PL-0023-IAA	AFE08C4E-IAA	651	739	834	939	1050	1170	1290	1420	1550				
M6TL-0029-IAA	AFE11C4E-IAA	840	955	1080	1220	1370	1530	1700	1880	2060				
M6EL-0030-IAA	AFE11C4E-IAA	853	971	1100	1240	1400	1560	1740	1920	2110				
M6PL-0030-IAA	AFE11C4E-IAA	853	971	1100	1240	1400	1560	1740	1920	2110				
M6EL-H032-IAA	AFE11C4E-IAA	872	993	1130	1270	1430	1600	1790	1980	2170				
M6TL-0037-IAA	AFE13C4E-IAA	1100	1250	1410	1580	1760	1950	2150	2350	2560				
M6EL-0038-IAA	AFE13C4E-IAA	1120	1270	1430	1610	1800	2000	2200	2420	2640				
M6PL-0038-IAA	AFE13C4E-IAA	1120	1270	1430	1610	1800	2000	2200	2420	2640				
M6EL-H042-IAA	AFE13C4E-IAA	1140	1300	1470	1650	1850	2060	2280	2500	2740				
M6TL-0040-IAA	AFE14C5E-IAA	1160	1330	1500	1690	1880	2090	2310	2530	2760				
M6TL-0040-IAV	AFE14C5E-IAV	1160	1330	1500	1690	1880	2090	2310	2530	2760				
M6EL-0041-IAA	AFE14C5E-IAA	1190	1350	1530	1730	1930	2150	2370	2610	2860				
M6PL-0041-IAA	AFE14C5E-IAA	1190	1350	1530	1730	1930	2150	2370	2610	2860				
M6EL-H043-IAA	AFE14C5E-IAA	1220	1390	1580	1780	1990	2220	2460	2720	2980				
M6EL-H043-IAV	AFE14C5E-IAV	1220	1390	1580	1780	1990	2220	2460	2720	2980				
M6EL-H054-CAA	AFE17C4E-CAA	1400	1590	1790	2010	2240	2490	2740	3000	3270				
M6EL-H054-IAA	AFE17C4E-IAA	1400	1590	1790	2010	2240	2490	2740	3000	3270				
M6EL-H054-IAV	AFE17C4E-IAV	1400	1590	1790	2010	2240	2490	2740	3000	3270				
M6EL-0048-CAA	AFE17C4E-CAA	1440	1640	1840	2070	2300	2550	2800	3060	3320				
M6EL-0052-IAA	AFE20C5E-IAA	1550	1770	2000	2240	2490	2740	3010	3270	3540				
M6PL-0052-IAA	AFE20C5E-IAA	1550	1770	2000	2240	2490	2740	3010	3270	3540				
M6EL-H056-IAA	AFE20C5E-IAA	1600	1830	2070	2330	2600	2880	3170	3470	3780				
M6EL-H056-IAV	AFE20C5E-IAV	1600	1830	2070	2330	2600	2880	3170	3470	3780				
M6EP-H056-CAA	RST45C1E-CAA	1540	1790	2050	2340	2640	2960	3290	3630	3970	4320	4660	5000	
M6EP-H056-IAA	RST45C1E-IAA	1540	1790	2050	2340	2640	2960	3290	3630	3970	4320	4660	5000	
M6BP-0064-CAA	RST45C1E-CAA	1470	1840	2220	2600	2980	3380	3790	4200	4640	5090	5560	6050	
M6BP-0064-CAV	RST45C1E-CAV	1470	1840	2220	2600	2980	3380	3790	4200	4640	5090	5560	6050	
M6PL-0060-CAV	AFE23C5E-CAV	2000	2270	2550	2850	3170	3500	3500	3500	3500				
M6EL-0068-CAA	AFE26C5E-CAA	2170	2460	2770	3090	3420	3770	3770	3770	3770				
M6BP-0075-CAA	RST55C1E-CAA	2300	2590	2920	3290	3690	4130	4590	5080	5590	6120	6660	7210	
M6BP-0075-CAV	RST55C1E-CAV	2300	2590	2920	3290	3690	4130	4590	5080	5590	6120	6660	7210	
M6BP-0092-CAV	RST64C1E-CAV	2660	3110	3580	4050	4540	5040	5560	6090	6630	7190	7750	8330	
M6BP-0092-CFA	RST64C1E-CFA	2660	3110	3580	4050	4540	5040	5560	6090	6630	7190	7750	8330	
M6BP-0096-CFV	RST70C1E-PFV	2620	3080	3570	4100	4650	5230	5820	6430	7050	7680	8310	8940	
M6BP-0106-CFV	RST80C1E-PFV	3150	3650	4170	4720	5300	5900	6520	7160	7810	8460	9120	9800	
M6BL-0123-CFA	RFT42C1E-PFA	2840	3310	3820	4350	4900	5470	6040	6630	7210				
M6BL-0123-CFV	RFT42C1E-PFV	2840	3310	3820	4350	4900	5470	6040	6630	7210				
M6BP-0116-CFV	RST97C1E-PFV	3580	4090	4650	5260	5900	6560	7240	7920	8590	9240	9890	10500	

Capacities rated at 40°F return gas, 5°F subcooling



R-404A Condensate Base LT/EMT

Copevap welded air-cooled condensing units

Model	Compressor	-30	-25	-20	-15	-10	-5	0	5	10	15	20	25	30
100° Ambient														
M6TL-0018-IAA	AFE06C4E-IAA	466	531	604	683	768	859	956	1060	1160				
M6TL-0022-IAA	AFE08C4E-IAA	589	667	752	844	941	1040	1150	1260	1370				
M6PL-0023-IAA	AFE08C4E-IAA	592	673	761	855	956	1060	1170	1290	1400				
M6TL-0029-IAA	AFE11C4E-IAA	754	861	977	1100	1240	1380	1530	1680	1840				
M6EL-0030-IAA	AFE11C4E-IAA	762	872	993	1120	1270	1410	1570	1730	1900				
M6PL-0030-IAA	AFE11C4E-IAA	762	872	993	1120	1270	1410	1570	1730	1900				
M6EL-H032-IAA	AFE11C4E-IAA	767	881	1010	1140	1290	1450	1620	1800	1980				
M6TL-0037-IAA	AFE13C4E-IAA	985	1120	1270	1420	1590	1760	1930	2110	2290				
M6EL-0038-IAA	AFE13C4E-IAA	1000	1150	1300	1460	1630	1810	2000	2190	2380				
M6PL-0038-IAA	AFE13C4E-IAA	1000	1150	1300	1460	1630	1810	2000	2190	2380				
M6EL-H042-IAA	AFE13C4E-IAA	1020	1170	1330	1500	1690	1880	2090	2300	2510				
M6TL-0040-IAA	AFE14C5E-IAA	1040	1190	1340	1500	1670	1850	2040	2230	2430				
M6TL-0040-IAV	AFE14C5E-IAV	1040	1190	1340	1500	1670	1850	2040	2230	2430				
M6EL-0041-IAA	AFE14C5E-IAA	1060	1210	1380	1550	1730	1920	2120	2330	2550				
M6PL-0041-IAA	AFE14C5E-IAA	1060	1210	1380	1550	1730	1920	2120	2330	2550				
M6EL-H043-IAA	AFE14C5E-IAA	1080	1240	1420	1600	1800	2010	2230	2470	2720				
M6EL-H043-IAV	AFE14C5E-IAV	1080	1240	1420	1600	1800	2010	2230	2470	2720				
M6EL-H054-CAA	AFE17C4E-CAA	1250	1420	1610	1810	2020	2240	2480	2710	2950				
M6EL-H054-IAA	AFE17C4E-IAA	1250	1420	1610	1810	2020	2240	2480	2710	2950				
M6EL-H054-IAV	AFE17C4E-IAV	1250	1420	1610	1810	2020	2240	2480	2710	2950				
M6EL-0048-CAA	AFE17C4E-CAA	1290	1460	1650	1850	2050	2270	2490	2720	2950				
M6EL-0052-IAA	AFE20C5E-IAA	1390	1580	1780	1990	2210	2430	2650	2870	3100				
M6PL-0052-IAA	AFE20C5E-IAA	1390	1580	1780	1990	2210	2430	2650	2870	3100				
M6EP-H056-CAA	RST45C1E-CAA	1310	1540	1780	2050	2330	2620	2920	3230	3540	3850	4150	4440	
M6EP-H056-IAA	RST45C1E-IAA	1310	1540	1780	2050	2330	2620	2920	3230	3540	3850	4150	4440	
M6EL-H056-IAA	AFE20C5E-IAA	1430	1640	1860	2100	2340	2600	2860	3120	3390				
M6EL-H056-IAV	AFE20C5E-IAV	1430	1640	1860	2100	2340	2600	2860	3120	3390				
M6BP-0064-CAA	RST45C1E-CAA	1220	1590	1940	2300	2660	3030	3400	3790	4180	4590	5020	5460	
M6BP-0064-CAV	RST45C1E-CAV	1220	1590	1940	2300	2660	3030	3400	3790	4180	4590	5020	5460	
M6PL-0060-CAV	AFE23C5E-CAV	1820	2070	2320	2590	2870	3170	3170	3170	3170				
M6EL-0068-CAA	AFE26C5E-CAA	1970	2230	2510	2800	3100	3410	3410	3410	3410				
M6BP-0075-CAA	RST55C1E-CAA	2000	2250	2540	2870	3240	3640	4070	4520	4990	5480	5980	6490	
M6BP-0075-CAV	RST55C1E-CAV	2000	2250	2540	2870	3240	3640	4070	4520	4990	5480	5980	6490	
M6BP-0092-CAV	RST64C1E-CAV	2340	2760	3190	3630	4080	4540	5010	5490	5980	6480	6980	7490	
M6BP-0092-CFA	RST64C1E-CFA	2340	2760	3190	3630	4080	4540	5010	5490	5980	6480	6980	7490	
M6BP-0096-CFV	RST70C1E-PFV	2240	2670	3140	3630	4150	4690	5240	5800	6370	6930	7490	8050	
M6BP-0106-CFV	RST80C1E-PFV	2750	3190	3670	4180	4710	5260	5830	6410	7000	7590	8180	8760	
M6BL-0123-CFA	RFT42C1E-PFA	2520	2960	3420	3900	4400	4900	5420	5940	6450				
M6BL-0123-CFV	RFT42C1E-PFV	2520	2960	3420	3900	4400	4900	5420	5940	6450				
M6BP-0116-CFV	RST97C1E-PFV	3110	3580	4100	4660	5250	5860	6480	7100	7690	8260	8800	9300	

Capacities rated at 40°F return gas, 5°F subcooling

R-404A Condensate Base LT/EMT

Copevap welded air-cooled condensing units

Model	Compressor	-30	-25	-20	-15	-10	-5	0	5	10	15	20	25	30
110° Ambient														
M6TL-0018-IAA	AFE06C4E-IAA	410	470	535	607	685	768	855	946	1040				
M6TL-0022-IAA	AFE08C4E-IAA	493	571	653	741	834	930	1030	1130	1230				
M6PL-0023-IAA	AFE08C4E-IAA	508	586	670	759	853	952	1050	1160	1260				
M6TL-0029-IAA	AFE11C4E-IAA		766	873	987	1110	1240	1370	1500	1640				
M6EL-0030-IAA	AFE11C4E-IAA	681	781	891	1010	1130	1270	1410	1550	1690				
M6PL-0030-IAA	AFE11C4E-IAA	681	781	891	1010	1130	1270	1410	1550	1690				
M6EL-H032-IAA	AFE11C4E-IAA	686	790	904	1030	1160	1310	1460	1610	1780				
M6TL-0037-IAA	AFE13C4E-IAA		1000	1140	1280	1430	1580	1730	1880	2030				
M6EL-0038-IAA	AFE13C4E-IAA		1030	1170	1310	1470	1630	1790	1950	2120				
M6PL-0038-IAA	AFE13C4E-IAA		1030	1170	1310	1470	1630	1790	1950	2120				
M6TL-0040-IAA	AFE14C5E-IAA		1040	1180	1320	1470	1630	1790	1950	2120				
M6TL-0040-IAV	AFE14C5E-IAV		1040	1180	1320	1470	1630	1790	1950	2120				
M6EL-H042-IAA	AFE13C4E-IAA	911	1050	1200	1360	1520	1700	1880	2070	2260				
M6EL-0041-IAA	AFE14C5E-IAA		1070	1210	1370	1520	1690	1860	2040	2230				
M6PL-0041-IAA	AFE14C5E-IAA		1070	1210	1370	1520	1690	1860	2040	2230				
M6EL-H043-IAA	AFE14C5E-IAA	953	1100	1250	1420	1600	1790	1980	2190	2410				
M6EL-H043-IAV	AFE14C5E-IAV	953	1100	1250	1420	1600	1790	1980	2190	2410				
M6EL-H054-CAA	AFE17C4E-CAA		1260	1420	1600	1790	1980	2180	2380	2580				
M6EL-H054-IAA	AFE17C4E-IAA		1260	1420	1600	1790	1980	2180	2380	2580				
M6EL-H054-IAV	AFE17C4E-IAV		1260	1420	1600	1790	1980	2180	2380	2580				
M6EL-0048-CAA	AFE17C4E-CAA		1290	1460	1630	1820	2000	2200	2390	2580				
M6EL-0052-IAA	AFE20C5E-IAA		1390	1570	1740	1920	2110	2290	2460					
M6PL-0052-IAA	AFE20C5E-IAA		1390	1570	1740	1920	2110	2290	2460					
M6EP-H056-CAA	RST45C1E-CAA		1300	1520	1760	2010	2270	2530	2800	3070	3330	3590		
M6EP-H056-IAA	RST45C1E-IAA		1300	1520	1760	2010	2270	2530	2800	3070	3330	3590		
M6EL-H056-IAA	AFE20C5E-IAA		1460	1650	1850	2060	2280	2500	2730	2950				
M6EL-H056-IAV	AFE20C5E-IAV		1460	1650	1850	2060	2280	2500	2730	2950				
M6BP-0064-CAA	RST45C1E-CAA	996	1340	1680	2010	2340	2670	3010	3350	3700	4070	4440	4830	
M6BP-0064-CAV	RST45C1E-CAV	996	1340	1680	2010	2340	2670	3010	3350	3700	4070	4440	4830	
M6PL-0060-CAV	AFE23C5E-CAV			2080	2320	2570	2820	2820	2820					
M6BP-0075-CAA	RST55C1E-CAA	1730	1940	2190	2490	2810	3170	3550	3960	4390	4830	5280	5740	
M6BP-0075-CAV	RST55C1E-CAV	1730	1940	2190	2490	2810	3170	3550	3960	4390	4830	5280	5740	
M6EL-0068-CAA	AFE26C5E-CAA				2500	2770								
M6BP-0096-CFV	RST70C1E-PFV		2250	2680	3140	3620	4100	4600	5100	5600	6090	6560	7010	
M6BP-0092-CAV	RST64C1E-CAV		2390	2780	3180	3590	4000	4410	4830	5250	5680	6090	6480	
M6BP-0092-CFA	RST64C1E-CFA		2390	2780	3180	3590	4000	4410	4830	5250	5680	6090	6480	
M6BP-0106-CFV	RST80C1E-PFV		2780	3200	3640	4110	4600	5100	5600	6110	6600	7090		
M6BL-0123-CFA	RFT42C1E-PFA	2610	3020	3440	3870	4310	4750	5180	5600					
M6BL-0123-CFV	RFT42C1E-PFV	2610	3020	3440	3870	4310	4750	5180	5600					
M6BP-0116-CFV	RST97C1E-PFV		3080	3550	4050	4580	5120	5670	6190	6680				

Capacities rated at 40°F return gas, 5°F subcooling

R-404A Condensate Base MT

Copevap welded air-cooled condensing units

Model	Compressor	-10	-5	0	5	10	15	20	25	30
90° Ambient										
M6TM-0020-IAA	ASE12C4E-IAA	841	950	1070	1200	1350	1500	1660	1830	2010
M6PM-0020-IAA	ASE12C4E-IAA	855	967	1090	1230	1370	1530	1700	1880	2060
M6EM-H022-IAA	ASE12C4E-IAA	875	989	1120	1260	1410	1570	1750	1940	2130
M6TM-0022-IAA	ASE14C4E-IAA	1040	1160	1300	1450	1600	1760	1940	2120	2310
M6PM-0023-IAA	ASE14C4E-IAA	1060	1190	1320	1470	1640	1810	1990	2180	2380
M6EM-H026-IAA	ASE14C4E-IAA	1080	1210	1360	1510	1680	1860	2060	2260	2480
M6TM-0027-IAA	ASE20C4E-IAA	1190	1410	1610	1800	1990	2170	2360	2550	2760
M6TM-0027-IAV	ASE20C4E-IAV	1190	1410	1610	1800	1990	2170	2360	2550	2760
M6PM-0028-CAA	ASE20C4E-CAA	1190	1420	1640	1840	2040	2230	2430	2650	2870
M6PM-0028-IAA	ASE20C4E-IAA	1190	1420	1640	1840	2040	2230	2430	2650	2870
M6TM-0028-IAA	ASE24C5E-IAA	1260	1520	1740	1940	2120	2320	2540	2790	3090
M6PM-0030-IAA	ASE24C5E-IAA	1290	1560	1790	1990	2180	2390	2620	2890	3210
M6EM-H032-CAA	ASE20C4E-CAA	1440	1560	1720	1910	2130	2370	2630	2890	3150
M6EM-H034-IAA	ASE24C5E-IAA	1340	1610	1840	2050	2260	2480	2730	3030	3390
M6TM-0032-IAA	ASE28C5E-IAA	1840	1900	2010	2180	2390	2640	2930	3260	3600
M6TM-0032-IAV	ASE28C5E-IAV	1840	1900	2010	2180	2390	2640	2930	3260	3600
M6EM-H040-IAA	ASE28C5E-IAA	1960	2030	2150	2340	2580	2870	3200	3580	4000
M6EM-H051-IAA	ASE39C5E-IAA	2550	2670	2860	3100	3390	3720	4090	4480	4890
100° Ambient										
M6TM-0020-IAA	ASE12C4E-IAA	749	848	957	1080	1200	1340	1480	1620	1780
M6PM-0020-IAA	ASE12C4E-IAA	757	860	973	1100	1230	1370	1520	1680	1840
M6EM-H022-IAA	ASE12C4E-IAA	762	868	987	1120	1260	1410	1570	1740	1920
M6TM-0022-IAA	ASE14C4E-IAA		1050	1170	1290	1430	1570	1720	1880	2040
M6PM-0023-IAA	ASE14C4E-IAA		1070	1190	1330	1470	1620	1780	1950	2130
M6EM-H026-IAA	ASE14C4E-IAA	965	1090	1220	1360	1510	1680	1850	2040	2230
M6TM-0027-IAA	ASE20C4E-IAA		1350	1510	1650	1780	1920	2060	2210	2380
M6TM-0027-IAV	ASE20C4E-IAV		1350	1510	1650	1780	1920	2060	2210	2380
M6PM-0028-CAA	ASE20C4E-CAA		1360	1530	1690	1840	2000	2160	2330	2510
M6PM-0028-IAA	ASE20C4E-IAA		1360	1530	1690	1840	2000	2160	2330	2510
M6TM-0028-IAA	ASE24C5E-IAA		1340	1550	1720	1880	2050	2230	2440	2690
M6PM-0030-IAA	ASE24C5E-IAA		1380	1600	1780	1950	2130	2330	2560	2840
M6EM-H032-CAA	ASE20C4E-CAA		1400	1540	1710	1910	2130	2370	2610	2850
M6EM-H034-IAA	ASE24C5E-IAA		1430	1650	1850	2040	2240	2470	2730	3050
M6TM-0032-IAA	ASE28C5E-IAA			1770	1910	2090	2310	2560	2840	3140
M6TM-0032-IAV	ASE28C5E-IAV			1770	1910	2090	2310	2560	2840	3140
M6EM-H040-IAA	ASE28C5E-IAA		1830	1940	2100	2320	2580	2890	3240	3620
M6EM-H051-IAA	ASE39C5E-IAA			2590	2810	3070	3370	3690	4030	4370
110° Ambient										
M6TM-0020-IAA	ASE12C4E-IAA			841	947	1060	1180	1300	1430	1560
M6PM-0020-IAA	ASE12C4E-IAA			861	970	1090	1210	1340	1480	1620
M6EM-H022-IAA	ASE12C4E-IAA			874	990	1120	1250	1390	1540	1700
M6TM-0022-IAA	ASE14C4E-IAA			1040	1150	1270	1390	1530	1670	1810
M6PM-0023-IAA	ASE14C4E-IAA			1060	1180	1310	1440	1580	1720	1880
M6EM-H026-IAA	ASE14C4E-IAA			1090	1220	1350	1500	1650	1810	1990
M6TM-0027-IAA	ASE20C4E-IAA				1510	1600	1700	1790	1900	2030
M6TM-0027-IAV	ASE20C4E-IAV				1510	1600	1700	1790	1900	2030
M6PM-0028-CAA	ASE20C4E-CAA				1550	1650	1760	1870	2000	2140
M6PM-0028-IAA	ASE20C4E-IAA				1550	1650	1760	1870	2000	2140
M6TM-0028-IAA	ASE24C5E-IAA				1530	1670	1810	1960	2130	2350
M6PM-0030-IAA	ASE24C5E-IAA				1580	1730	1880	2040	2230	2460
M6EM-H032-CAA	ASE20C4E-CAA				1370	1520	1700	1890	2090	2510
M6EM-H034-IAA	ASE24C5E-IAA				1470	1650	1820	1990	2180	2410
M6TM-0032-IAA	ASE28C5E-IAA					1670	1820	2010	2220	
M6TM-0032-IAV	ASE28C5E-IAV					1670	1820	2010	2220	
M6EM-H040-IAA	ASE28C5E-IAA				1720	1860	2040	2270	2540	2850
M6EM-H051-IAA	ASE39C5E-IAA					2480	2700	2940	3200	3470

Capacities rated at 40°F return gas, 5°F subcooling

R-407C Condensate Base MT

Copevap welded air-cooled condensing units

Model	Compressor	-5	0	5	10	15	20	25
90° Ambient								
M6TM-0020-IAA	ASE12C4E-IAA	911	1040	1170	1320	1490	1660	1840
M6TM-0027-IAA	ASE20C4E-IAA	911	1040	1170	1320	1490	1660	1840
M6PM-0020-IAA	ASE12C4E-IAA	921	1050	1190	1340	1510	1690	1880
M6PM-H022-IAA	ASE12C4E-IAA	920	1050	1190	1350	1520	1700	1890
M6EM-0020-IAA	ASE12C4E-IAA	927	1060	1210	1360	1540	1730	1930
M6EM-H022-IAA	ASE12C4E-IAA	924	1060	1200	1360	1530	1720	1910
M6PM-0028-CAA	ASE20C4E-CAA	1460	1660	1870	2100	2340	2600	2880
M6PM-0028-IAA	ASE20C4E-IAA	1460	1660	1870	2100	2340	2600	2880
M6EM-0028-IAA	ASE20C4E-IAA	1490	1700	1920	2170	2430	2710	3020
M6EP-H056-CAA	RST45C1E-CAA		2820	3200	3610	4050	4510	5000
M6EP-H056-IAA	RST45C1E-IAA		2820	3200	3610	4050	4510	5000
M6BP-0064-CAA	RST45C1E-CAA	2680	3060	3500	3990	4520	5090	5700
M6BP-0064-CAV	RST45C1E-CAV	2680	3060	3500	3990	4520	5090	5700
M6BP-0075-CAA	RST55C1E-CAA	3220	3700	4220	4770	5360	5990	6660
M6BP-0075-CAV	RST55C1E-CAV	3220	3700	4220	4770	5360	5990	6660
M6BP-0092-CAV	RST64C1E-CAV		4830	5470	6140	6850	7600	8380
M6BP-0092-CFA	RST64C1E-CFA		4830	5470	6140	6850	7600	8380
M6BP-0096-CFV	RST70C1E-PFV		4900	5560	6230	6940	7670	8440
M6BP-0106-CFV	RST80C1E-PFV		5560	6290	7030	7800	8590	9410
M6BP-0116-CFV	RST97C1E-PFV		6180	6970	7780	8600	9440	10300
100° Ambient								
M6TM-0020-IAA	ASE12C4E-IAA		939	1070	1210	1360	1520	1680
M6TM-0027-IAA	ASE20C4E-IAA		939	1070	1210	1360	1520	1680
M6PM-0020-IAA	ASE12C4E-IAA		952	1080	1230	1380	1540	1720
M6PM-H022-IAA	ASE12C4E-IAA		950	1080	1230	1380	1550	1730
M6EM-0020-IAA	ASE12C4E-IAA		958	1090	1240	1400	1580	1760
M6EM-H022-IAA	ASE12C4E-IAA		955	1090	1240	1400	1570	1750
M6PM-0028-CAA	ASE20C4E-CAA		1510	1700	1920	2140	2380	2630
M6PM-0028-IAA	ASE20C4E-IAA		1510	1700	1920	2140	2380	2630
M6EM-0028-IAA	ASE20C4E-IAA		1540	1750	1980	2230	2490	2770
M6EP-H056-CAA	RST45C1E-CAA			2890	3270	3680	4110	4550
M6EP-H056-IAA	RST45C1E-IAA			2890	3270	3680	4110	4550
M6BP-0064-CAA	RST45C1E-CAA		2760	3170	3620	4110	4640	5200
M6BP-0064-CAV	RST45C1E-CAV		2760	3170	3620	4110	4640	5200
M6BP-0075-CAA	RST55C1E-CAA		3360	3830	4340	4880	5450	6060
M6BP-0075-CAV	RST55C1E-CAV		3360	3830	4340	4880	5450	6060
M6BP-0092-CAV	RST64C1E-CAV			4980	5600	6240	6920	7630
M6BP-0092-CFA	RST64C1E-CFA			4980	5600	6240	6920	7630
M6BP-0096-CFV	RST70C1E-PFV			5060	5680	6330	7000	7690
M6BP-0106-CFV	RST80C1E-PFV			5720	6400	7090	7810	8540
M6BP-0116-CFV	RST97C1E-PFV			6330	7060	7800	8560	9320

R-407C Condensate Base MT

Copevap welded air-cooled condensing units

Model	Compressor	-5	0	5	10	15	20	25
110° Ambient								
M6PM-H022-IAA	ASE12C4E-IAA		977	1110	1250	1410	1570	
M6EM-H022-IAA	ASE12C4E-IAA		982	1120	1270	1420	1590	
M6TM-0020-IAA	ASE12C4E-IAA		993	1120	1250	1390	1540	
M6TM-0027-IAA	ASE20C4E-IAA		993	1120	1250	1390	1540	
M6EM-0020-IAA	ASE12C4E-IAA		989	1130	1270	1430	1600	
M6PM-0020-IAA	ASE12C4E-IAA		999	1130	1270	1410	1570	
M6PM-0028-CAA	ASE20C4E-CAA		1550	1740	1950	2160	2380	
M6PM-0028-IAA	ASE20C4E-IAA		1550	1740	1950	2160	2380	
M6EM-0028-IAA	ASE20C4E-IAA		1590	1800	2020	2260	2510	
M6EP-H056-CAA	RST45C1E-CAA			2950	3320			
M6EP-H056-IAA	RST45C1E-IAA			2950	3320			
M6BP-0064-CAA	RST45C1E-CAA		2840	3260	3710	4200	4710	
M6BP-0064-CAV	RST45C1E-CAV		2840	3260	3710	4200	4710	
M6BP-0075-CAA	RST55C1E-CAA		3440	3900	4390	4910	5450	
M6BP-0075-CAV	RST55C1E-CAV		3440	3900	4390	4910	5450	
M6BP-0092-CAV	RST64C1E-CAV			5050	5630	6250		
M6BP-0092-CFA	RST64C1E-CFA			5050	5630	6250		
M6BP-0096-CFV	RST70C1E-PFV			5110	5690	6290		
M6BP-0106-CFV	RST80C1E-PFV			5730	6350			
M6BP-0116-CFV	RST97C1E-PFV			6310				

R-448A Condensate Base LT

Copevap air-cooled condensing units

Model	Compressor	-25	-20	-15	-10	-5	0	5	10	15
90° Ambient										
M6TL-0018-IAA	AFE06C4E-IAA	418	478	552	638	735	843	960	1090	1220
M6TL-0022-IAA	AFE08C4E-IAA	605	692	796	917	1050	1200	1360	1520	1700
M6PL-0023-IAA	AFE08C4E-IAA	609	698	804	926	1060	1210	1380	1550	1730
M6TL-0029-IAA	AFE11C4E-IAA	703	804	925	1060	1220	1380	1560	1750	1950
M6EL-0030-IAA	AFE11C4E-IAA	710	812	935	1080	1230	1410	1590	1790	1990
M6EL-H032-IAA	AFE11C4E-IAA	711	815	940	1080	1250	1420	1620	1820	2030
M6PL-0030-IAA	AFE11C4E-IAA	710	812	935	1080	1230	1410	1590	1790	1990
M6TL-0037-IAA	AFE13C4E-IAA	904	1030	1180	1360	1550	1760	1980	2210	2450
M6EL-0038-IAA	AFE13C4E-IAA	915	1050	1200	1380	1580	1790	2020	2260	2510
M6PL-0038-IAA	AFE13C4E-IAA	915	1050	1200	1380	1580	1790	2020	2260	2510
M6EL-H042-IAA	AFE13C4E-IAA	921	1050	1210	1400	1600	1830	2070	2320	2590
M6TL-0040-IAA	AFE14C5E-IAA	1020	1150	1310	1480	1670	1870	2080	2300	2530
M6TL-0040-IAV	AFE14C5E-IAV	1020	1150	1310	1480	1670	1870	2080	2300	2530
M6EL-0041-IAA	AFE14C5E-IAA	1030	1170	1330	1500	1700	1900	2120	2360	2600
M6PL-0041-IAA	AFE14C5E-IAA	1030	1170	1330	1500	1700	1900	2120	2360	2600
M6EL-H043-IAA	AFE14C5E-IAA	1040	1200	1390	1600	1820	2060	2320	2590	2870
M6EL-H043-IAV	AFE14C5E-IAV	1040	1200	1390	1600	1820	2060	2320	2590	2870
M6EL-H054-CAA	AFE17C4E-CAA	1150	1320	1520	1740	1990	2250	2520	2800	3080
M6EL-H054-IAA	AFE17C4E-IAA	1150	1320	1520	1740	1990	2250	2520	2800	3080
M6EL-H054-IAV	AFE17C4E-IAV	1150	1320	1520	1740	1990	2250	2520	2800	3080
M6EL-0048-CAA	AFE17C4E-CAA	1260	1430	1640	1880	2130	2400	2680	2970	3260
M6EL-0052-IAA	AFE20C5E-IAA	1350	1540	1740	1970	2210	2460	2730	3000	3270
M6PL-0052-IAA	AFE20C5E-IAA	1350	1540	1740	1970	2210	2460	2730	3000	3270
M6TL-0051-IAA	AFE20C5E-IAA	1330	1520	1750	1990	2240	2510	2790	3070	3350
M6TL-0051-IAV	AFE20C5E-IAV	1330	1520	1750	1990	2240	2510	2790	3070	3350
M6EL-H056-IAA	AFE20C5E-IAA	1370	1590	1830	2090	2380	2680	3000	3320	3650
M6EL-H056-IAV	AFE20C5E-IAV	1370	1590	1830	2090	2380	2680	3000	3320	3650
M6PL-0060-CAV	AFE23C5E-CAV	1560	1790	2050	2340	2640	2960	3290	3630	3980
M6EL-H065-CAA	AFE23C5E-CAA	1650	1910	2190	2490	2810	3150	3500	3870	4240
M6EL-0068-CAA	AFE26C5E-CAA	1800	2070	2360	2670	2990	3330	3670	4020	4360
M6EL-H074-CAA	AFE26C5E-CAA	1840	2130	2440	2770	3110	3480	3850	4230	4620
M6BL-0123-CFA	RFT42C1E-PFA	2900	3270	3720	4250	4840	5460	6110	6780	
M6BL-0123-CFV	RFT42C1E-PFV	2900	3270	3720	4250	4840	5460	6110	6780	

Capacities rated at 40°F return gas, 5°F subcooling

R-448A Condensate Base LT

Copevap air-cooled condensing units

Model	Compressor	-25	-20	-15	-10	-5	0	5	10	15
100° Ambient										
M6TL-0018-IAA	AFE06C4E-IAA	383	439	507	586	675	773	879	992	1110
M6TL-0022-IAA	AFE08C4E-IAA	552	635	733	845	969	1100	1250	1400	1560
M6PL-0023-IAA	AFE08C4E-IAA	552	637	736	851	978	1120	1270	1420	1590
M6TL-0029-IAA	AFE11C4E-IAA	640	736	849	978	1120	1280	1440	1610	1790
M6EL-0030-IAA	AFE11C4E-IAA	642	740	856	988	1130	1290	1460	1640	1830
M6PL-0030-IAA	AFE11C4E-IAA	642	740	856	988	1130	1290	1460	1640	1830
M6EL-H032-IAA	AFE11C4E-IAA	642	742	860	995	1150	1310	1490	1670	1870
M6TL-0037-IAA	AFE13C4E-IAA	817	939	1080	1240	1420	1610	1820	2030	2240
M6EL-0038-IAA	AFE13C4E-IAA	825	950	1100	1260	1450	1650	1860	2080	2310
M6PL-0038-IAA	AFE13C4E-IAA	825	950	1100	1260	1450	1650	1860	2080	2310
M6EL-H042-IAA	AFE13C4E-IAA	830	958	1110	1280	1470	1680	1900	2140	2380
M6TL-0040-IAA	AFE14C5E-IAA	910	1040	1190	1360	1530	1710	1910	2110	2320
M6TL-0040-IAV	AFE14C5E-IAV	910	1040	1190	1360	1530	1710	1910	2110	2320
M6EL-0041-IAA	AFE14C5E-IAA	921	1060	1210	1380	1560	1750	1950	2160	2380
M6PL-0041-IAA	AFE14C5E-IAA	921	1060	1210	1380	1560	1750	1950	2160	2380
M6EL-H043-IAA	AFE14C5E-IAA	928	1080	1250	1440	1650	1880	2120	2360	2620
M6EL-H043-IAV	AFE14C5E-IAV	928	1080	1250	1440	1650	1880	2120	2360	2620
M6EL-H054-CAA	AFE17C4E-CAA	1060	1200	1380	1580	1810	2050	2310	2570	2830
M6EL-H054-IAA	AFE17C4E-IAA	1060	1200	1380	1580	1810	2050	2310	2570	2830
M6EL-H054-IAV	AFE17C4E-IAV	1060	1200	1380	1580	1810	2050	2310	2570	2830
M6EL-0048-CAA	AFE17C4E-CAA	1150	1310	1490	1710	1940	2190	2450	2720	2990
M6EL-0052-IAA	AFE20C5E-IAA	1210	1390	1590	1800	2020	2250	2490	2730	2970
M6PL-0052-IAA	AFE20C5E-IAA	1210	1390	1590	1800	2020	2250	2490	2730	2970
M6TL-0051-IAA	AFE20C5E-IAA	1200	1380	1580	1800	2040	2280	2530	2780	3030
M6TL-0051-IAV	AFE20C5E-IAV	1200	1380	1580	1800	2040	2280	2530	2780	3030
M6EL-H056-IAA	AFE20C5E-IAA	1240	1440	1660	1900	2160	2440	2720	3010	3310
M6EL-H056-IAV	AFE20C5E-IAV	1240	1440	1660	1900	2160	2440	2720	3010	3310
M6PL-0060-CAV	AFE23C5E-CAV	1420	1630	1870	2130	2410	2700	3010	3320	3640
M6EL-H065-CAA	AFE23C5E-CAA	1490	1740	2000	2280	2580	2890	3210	3540	3880
M6EL-0068-CAA	AFE26C5E-CAA		1890	2160	2440	2740	3040	3350	3670	
M6EL-H074-CAA	AFE26C5E-CAA	1670	1940	2230	2530	2860	3190	3530	3880	4230
M6BL-0123-CFA	RFT42C1E-PFA		3150	3500	3930	4430	4980	5570	6180	
M6BL-0123-CFV	RFT42C1E-PFV		3150	3500	3930	4430	4980	5570	6180	

Capacities rated at 40°F return gas, 5°F subcooling

R-448A Condensate Base LT

Copevap air-cooled condensing units

Model	Compressor	-25	-20	-15	-10	-5	0	5	10	15
110° Ambient										
M6TL-0018-IAA	AFE06C4E-IAA	394	437	495	564	642	729	823	923	1030
M6PL-0023-IAA	AFE08C4E-IAA	501	582	676	783	902	1030	1170	1310	1460
M6TL-0022-IAA	AFE08C4E-IAA	535	607	694	794	905	1030	1150	1290	1430
M6EL-H032-IAA	AFE11C4E-IAA		656	770	899	1040	1190	1360	1530	1710
M6EL-0030-IAA	AFE11C4E-IAA	579	672	781	905	1040	1190	1340	1500	1670
M6PL-0030-IAA	AFE11C4E-IAA	579	672	781	905	1040	1190	1340	1500	1670
M6TL-0029-IAA	AFE11C4E-IAA	607	692	792	907	1030	1170	1320	1470	1630
M6TL-0037-IAA	AFE13C4E-IAA		856	983	1130	1290	1460	1640	1820	2020
M6EL-0038-IAA	AFE13C4E-IAA		851	989	1140	1310	1490	1690	1880	2090
M6PL-0038-IAA	AFE13C4E-IAA		851	989	1140	1310	1490	1690	1880	2090
M6EL-H042-IAA	AFE13C4E-IAA		842	989	1150	1330	1530	1730	1950	2170
M6TL-0040-IAA	AFE14C5E-IAA		947	1080	1230	1390	1550	1720	1900	2080
M6TL-0040-IAV	AFE14C5E-IAV		947	1080	1230	1390	1550	1720	1900	2080
M6EL-0041-IAA	AFE14C5E-IAA		946	1090	1250	1420	1590	1770	1960	2160
M6PL-0041-IAA	AFE14C5E-IAA		946	1090	1250	1420	1590	1770	1960	2160
M6EL-H043-IAA	AFE14C5E-IAA		966	1120	1300	1490	1700	1920	2150	2390
M6EL-H043-IAV	AFE14C5E-IAV		966	1120	1300	1490	1700	1920	2150	2390
M6EL-H054-CAA	AFE17C4E-CAA			1250	1430	1640	1860	2090	2340	2590
M6EL-H054-IAA	AFE17C4E-IAA			1250	1430	1640	1860	2090	2340	2590
M6EL-H054-IAV	AFE17C4E-IAV			1250	1430	1640	1860	2090	2340	2590
M6EL-0048-CAA	AFE17C4E-CAA			1350	1540	1750	1980	2210	2460	
M6EL-0052-IAA	AFE20C5E-IAA			1410	1610	1820	2030	2240	2440	
M6PL-0052-IAA	AFE20C5E-IAA			1410	1610	1820	2030	2240	2440	
M6TL-0051-IAA	AFE20C5E-IAA				1640	1840	2060			
M6TL-0051-IAV	AFE20C5E-IAV				1640	1840	2060			
M6EL-H056-IAA	AFE20C5E-IAA			1500	1720	1960	2210	2470	2730	2990
M6EL-H056-IAV	AFE20C5E-IAV			1500	1720	1960	2210	2470	2730	2990
M6PL-0060-CAV	AFE23C5E-CAV				1930	2180	2440			
M6EL-H065-CAA	AFE23C5E-CAA			1810	2070	2340	2620	2910	3200	
M6EL-0068-CAA	AFE26C5E-CAA					2470				
M6EL-H074-CAA	AFE26C5E-CAA				2300	2600	2900	3210		
M6BL-0123-CFA	RFT42C1E-PFA			3390	3710	4100	4570	5070	5610	
M6BL-0123-CFV	RFT42C1E-PFV			3390	3710	4100	4570	5070	5610	

Capacities rated at 40°F return gas, 5°F subcooling

R-448A Condensate Base MT/EMT

Copevap air-cooled condensing units

Model	Compressor	-10	-5	0	5	10	15	20	25	30
90° Ambient										
M6TM-0020-IAA	ASE12C4E-IAA	681	806	939	1080	1230	1390	1560	1740	1930
M6EM-0020-IAA	ASE12C4E-IAA	688	815	952	1100	1250	1420	1590	1780	1970
M6PM-0020-IAA	ASE12C4E-IAA	688	815	952	1100	1250	1420	1590	1780	1970
M6EM-H022-IAA	ASE12C4E-IAA	688	818	957	1110	1270	1440	1620	1810	2020
M6TM-0022-IAA	ASE14C4E-IAA	848	995	1150	1300	1470	1640	1830	2030	2240
M6EM-0023-IAA	ASE14C4E-IAA	857	1010	1160	1320	1490	1670	1870	2070	2300
M6PM-0023-IAA	ASE14C4E-IAA	857	1010	1160	1320	1490	1670	1870	2070	2300
M6EM-H026-IAA	ASE14C4E-IAA	861	1010	1170	1340	1520	1710	1910	2130	2360
M6TM-0027-IAA	ASE20C4E-IAA	983	1220	1440	1650	1840	2040	2240	2450	2690
M6TM-0027-IAV	ASE20C4E-IAV	983	1220	1440	1650	1840	2040	2240	2450	2690
M6EM-0028-IAA	ASE20C4E-IAA	984	1230	1460	1670	1880	2080	2300	2530	2770
M6PM-0028-CAA	ASE20C4E-CAA	984	1230	1460	1670	1880	2080	2300	2530	2770
M6PM-0028-IAA	ASE20C4E-IAA	984	1230	1460	1670	1880	2080	2300	2530	2770
M6EM-H032-CAA	ASE20C4E-CAA	1150	1310	1490	1700	1930	2180	2450	2730	3020
M6TM-0028-IAA	ASE24C5E-IAA	1240	1420	1600	1810	2030	2260	2510	2780	3070
M6PM-0030-IAA	ASE24C5E-IAA	1260	1440	1640	1850	2070	2320	2580	2860	3160
M6EM-H034-IAA	ASE24C5E-IAA	1280	1470	1670	1890	2130	2390	2670	2970	3280
M6TM-0032-IAA	ASE28C5E-IAA		1770	1900	2080	2300	2570	2890	3250	3650
M6TM-0032-IAV	ASE28C5E-IAV		1770	1900	2080	2300	2570	2890	3250	3650
M6EM-0034-IAA	ASE28C5E-IAA		1850	1910	2080	2340	2650	3000	3370	3740
M6EM-H040-IAA	ASE28C5E-IAA	1940	1880	1950	2140	2420	2750	3120	3520	3910
M6EM-H051-IAA	ASE39C5E-IAA		2500	2610	2860	3210	3620	4060	4500	4910
M6EP-H056-CAA	RST45C1E-CAA		2300	2610	2950	3310	3690	4100	4540	5000
M6EP-H056-IAA	RST45C1E-IAA		2300	2610	2950	3310	3690	4100	4540	5000
M6BP-0064-CAA	RST45C1E-CAA	2120	2460	2840	3260	3710	4210	4750	5340	5970
M6BP-0064-CAV	RST45C1E-CAV	2120	2460	2840	3260	3710	4210	4750	5340	5970
M6BP-0075-CAA	RST55C1E-CAA	2690	3040	3460	3940	4490	5090	5740	6430	7170
M6BP-0075-CAV	RST55C1E-CAV	2690	3040	3460	3940	4490	5090	5740	6430	7170
M6BP-0096-CFV	RST70C1E-PFV	3440	3990	4580	5180	5810	6460	7140	7830	8530
M6BP-0092-CAV	RST64C1E-CAV	3550	4040	4570	5140	5740	6400	7100	7860	8670
M6BP-0092-CFA	RST64C1E-CFA	3550	4040	4570	5140	5740	6400	7100	7860	8670
M6BP-0106-CFV	RST80C1E-PFV		4580	5200	5850	6520	7230	7960	8720	9500
M6BP-0116-CFV	RST97C1E-PFV		5140	5840	6570	7310	8070	8830	9600	10300

Capacities rated at 40°F return gas, 5°F subcooling

R-448A Condensate Base MT/EMT

Copevap air-cooled condensing units

Model	Compressor	-10	-5	0	5	10	15	20	25	30
100° Ambient										
M6TM-0020-IAA	ASE12C4E-IAA		726	849	979	1120	1260	1420	1580	1760
M6EM-0020-IAA	ASE12C4E-IAA		730	856	990	1130	1280	1440	1610	1800
M6PM-0020-IAA	ASE12C4E-IAA		730	856	990	1130	1280	1440	1610	1800
M6EM-H022-IAA	ASE12C4E-IAA		731	860	998	1140	1300	1470	1650	1840
M6TM-0022-IAA	ASE14C4E-IAA		905	1040	1190	1340	1500	1670	1850	2050
M6EM-0023-IAA	ASE14C4E-IAA		915	1060	1210	1360	1530	1700	1900	2100
M6PM-0023-IAA	ASE14C4E-IAA		915	1060	1210	1360	1530	1700	1900	2100
M6EM-H026-IAA	ASE14C4E-IAA		921	1070	1220	1380	1560	1740	1940	2160
M6TM-0027-IAA	ASE20C4E-IAA			1370	1530	1690	1850	2020	2200	2400
M6TM-0027-IAV	ASE20C4E-IAV			1370	1530	1690	1850	2020	2200	2400
M6EM-0028-IAA	ASE20C4E-IAA		1190	1380	1560	1730	1900	2080	2280	2490
M6PM-0028-CAA	ASE20C4E-CAA		1190	1380	1560	1730	1900	2080	2280	2490
M6PM-0028-IAA	ASE20C4E-IAA		1190	1380	1560	1730	1900	2080	2280	2490
M6EM-H032-CAA	ASE20C4E-CAA		1190	1350	1540	1750	1980	2230	2490	2760
M6TM-0028-IAA	ASE24C5E-IAA			1450	1630	1830	2050	2280	2520	2790
M6PM-0030-IAA	ASE24C5E-IAA		1300	1480	1670	1880	2100	2340	2600	2880
M6EM-H034-IAA	ASE24C5E-IAA		1320	1510	1710	1930	2170	2420	2700	3000
M6TM-0032-IAA	ASE28C5E-IAA			1740	1910	2110	2360	2650	2970	3340
M6TM-0032-IAV	ASE28C5E-IAV			1740	1910	2110	2360	2650	2970	3340
M6EM-0034-IAA	ASE28C5E-IAA			1760	1900	2120	2400	2730	3080	3430
M6EM-H040-IAA	ASE28C5E-IAA			1800	1940	2180	2490	2840	3210	3590
M6EP-H056-CAA	RST45C1E-CAA			2350	2660	2980	3330	3700	4090	4500
M6EP-H056-IAA	RST45C1E-IAA			2350	2660	2980	3330	3700	4090	4500
M6EM-H051-IAA	ASE39C5E-IAA			2410	2610	2910	3290	3690	4090	4470
M6BP-0064-CAA	RST45C1E-CAA		2210	2550	2930	3350	3810	4310	4840	5420
M6BP-0064-CAV	RST45C1E-CAV		2210	2550	2930	3350	3810	4310	4840	5420
M6BP-0075-CAA	RST55C1E-CAA		2680	3060	3500	4010	4560	5170	5830	6520
M6BP-0075-CAV	RST55C1E-CAV		2680	3060	3500	4010	4560	5170	5830	6520
M6BP-0092-CAV	RST64C1E-CAV			4180	4700	5260	5860	6500	7200	7950
M6BP-0092-CFA	RST64C1E-CFA			4180	4700	5260	5860	6500	7200	7950
M6BP-0096-CFV	RST70C1E-PFV			4140	4720	5320	5930	6560	7200	7860
M6BP-0106-CFV	RST80C1E-PFV			4690	5300	5940	6600	7290	8000	8740
M6BP-0116-CFV	RST97C1E-PFV				5980	6680	7400	8110	8830	

Capacities rated at 40°F return gas, 5°F subcooling

R-448A Condensate Base MT/EMT

Copevap air-cooled condensing units

Model	Compressor	-10	-5	0	5	10	15	20	25	30
110° Ambient										
M6TM-0020-IAA	ASE12C4E-IAA			790	904	1020	1150	1290	1430	1590
M6EM-0020-IAA	ASE12C4E-IAA			779	900	1030	1160	1310	1460	1620
M6PM-0020-IAA	ASE12C4E-IAA			779	900	1030	1160	1310	1460	1620
M6EM-H022-IAA	ASE12C4E-IAA			767	893	1030	1170	1320	1480	1660
M6TM-0022-IAA	ASE14C4E-IAA			960	1090	1220	1370	1520	1690	1870
M6EM-0023-IAA	ASE14C4E-IAA			962	1100	1240	1390	1550	1730	1920
M6PM-0023-IAA	ASE14C4E-IAA			962	1100	1240	1390	1550	1730	1920
M6EM-H026-IAA	ASE14C4E-IAA			959	1100	1250	1410	1580	1770	1970
M6TM-0027-IAA	ASE20C4E-IAA				1430	1550	1680	1800	1950	2120
M6TM-0027-IAV	ASE20C4E-IAV				1430	1550	1680	1800	1950	2120
M6EM-0028-IAA	ASE20C4E-IAA				1450	1580	1720	1860	2020	2200
M6PM-0028-CAA	ASE20C4E-CAA				1450	1580	1720	1860	2020	2200
M6PM-0028-IAA	ASE20C4E-IAA				1450	1580	1720	1860	2020	2200
M6EM-H032-CAA	ASE20C4E-CAA				1380	1570	1780	2010	2250	2510
M6TM-0028-IAA	ASE24C5E-IAA				1470	1640	1830	2040	2260	
M6PM-0030-IAA	ASE24C5E-IAA				1500	1690	1890	2110	2340	2590
M6EM-H034-IAA	ASE24C5E-IAA				1530	1730	1950	2190	2440	2720
M6TM-0032-IAA	ASE28C5E-IAA					1920	2140			
M6TM-0032-IAV	ASE28C5E-IAV					1920	2140			
M6EM-0034-IAA	ASE28C5E-IAA				1730	1910	2160	2460	2790	
M6EM-H040-IAA	ASE28C5E-IAA				1770	1970	2250	2580	2930	3290
M6EP-H056-CAA	RST45C1E-CAA					2670	2980	3300		
M6EP-H056-IAA	RST45C1E-IAA					2670	2980	3300		
M6EM-H051-IAA	ASE39C5E-IAA					2620	2950	3310		
M6BP-0064-CAA	RST45C1E-CAA				2620	3000	3420	3870	4360	4890
M6BP-0064-CAV	RST45C1E-CAV				2620	3000	3420	3870	4360	4890
M6BP-0075-CAA	RST55C1E-CAA				3110	3570	4090	4660	5280	5940
M6BP-0075-CAV	RST55C1E-CAV				3110	3570	4090	4660	5280	5940
M6BP-0096-CFV	RST70C1E-PFV				4250	4820	5390	5980	6580	
M6BP-0092-CAV	RST64C1E-CAV				4280	4780	5330	5920		
M6BP-0092-CFA	RST64C1E-CFA				4280	4780	5330	5920		
M6BP-0106-CFV	RST80C1E-PFV					5380	6000			
M6BP-0116-CFV	RST97C1E-PFV					6080				

Capacities rated at 40°F return gas, 5°F subcooling

R-449A Condensate Base LT

Copevap air-cooled condensing units

Model	Compressor	-25	-20	-15	-10	-5	0	5	10	15
90° Ambient										
M6TL-0018-IAA	AFE06C4E-IAA	419	479	553	639	737	845	962	1090	1220
M6TL-0022-IAA	AFE08C4E-IAA	606	693	798	918	1050	1200	1360	1520	1700
M6PL-0023-IAA	AFE08C4E-IAA	611	700	806	928	1070	1220	1380	1550	1730
M6TL-0029-IAA	AFE11C4E-IAA	705	806	926	1060	1220	1390	1570	1760	1950
M6EL-0030-IAA	AFE11C4E-IAA	711	814	937	1080	1240	1410	1590	1790	1990
M6PL-0030-IAA	AFE11C4E-IAA	711	814	937	1080	1240	1410	1590	1790	1990
M6QL-H032-IAA	AFE11C4E-IAA	711	814	938	1080	1240	1420	1600	1800	2010
M6EL-H032-IAA	AFE11C4E-IAA	712	816	941	1090	1250	1430	1620	1820	2040
M6TL-0037-IAA	AFE13C4E-IAA	906	1030	1190	1360	1550	1760	1980	2220	2450
M6EL-0038-IAA	AFE13C4E-IAA	917	1050	1200	1380	1580	1800	2020	2260	2510
M6PL-0038-IAA	AFE13C4E-IAA	917	1050	1200	1380	1580	1800	2020	2260	2510
M6EL-H042-IAA	AFE13C4E-IAA	922	1060	1220	1400	1610	1830	2070	2320	2590
M6TL-0040-IAA	AFE14C5E-IAA	1020	1160	1310	1480	1670	1870	2080	2310	2540
M6TL-0040-IAV	AFE14C5E-IAV	1020	1160	1310	1480	1670	1870	2080	2310	2540
M6EL-0041-IAA	AFE14C5E-IAA	1030	1170	1330	1510	1700	1910	2130	2360	2600
M6PL-0041-IAA	AFE14C5E-IAA	1030	1170	1330	1510	1700	1910	2130	2360	2600
M6EL-H043-IAA	AFE14C5E-IAA	1040	1200	1390	1600	1820	2070	2320	2590	2870
M6EL-H043-IAV	AFE14C5E-IAV	1040	1200	1390	1600	1820	2070	2320	2590	2870
M6EL-H054-CAA	AFE17C4E-CAA	1150	1320	1520	1740	1990	2250	2520	2800	3080
M6EL-H054-IAA	AFE17C4E-IAA	1150	1320	1520	1740	1990	2250	2520	2800	3080
M6EL-H054-IAV	AFE17C4E-IAV	1150	1320	1520	1740	1990	2250	2520	2800	3080
M6EL-0048-CAA	AFE17C4E-CAA	1260	1440	1650	1880	2130	2400	2680	2970	3260
M6EL-0052-IAA	AFE20C5E-IAA	1360	1540	1750	1970	2210	2470	2730	3000	3270
M6PL-0052-IAA	AFE20C5E-IAA	1360	1540	1750	1970	2210	2470	2730	3000	3270
M6TL-0051-IAA	AFE20C5E-IAA	1330	1530	1750	1990	2250	2520	2790	3070	3350
M6TL-0051-IAV	AFE20C5E-IAV	1330	1530	1750	1990	2250	2520	2790	3070	3350
M6EL-H056-IAA	AFE20C5E-IAA	1380	1590	1830	2100	2380	2690	3000	3320	3650
M6EL-H056-IAV	AFE20C5E-IAV	1380	1590	1830	2100	2380	2690	3000	3320	3650
M6PL-0060-CAV	AFE23C5E-CAV	1560	1800	2060	2340	2640	2960	3290	3630	3980
M6EL-H065-CAA	AFE23C5E-CAA	1650	1910	2190	2490	2820	3150	3510	3870	4240
M6EL-0068-CAA	AFE26C5E-CAA	1800	2070	2370	2670	3000	3330	3670	4020	4360
M6EL-H074-CAA	AFE26C5E-CAA	1840	2130	2440	2770	3120	3480	3850	4230	4620
M6BL-0123-CFA	RFT42C1E-PFA	2910	3270	3730	4250	4840	5460	6110	6780	
M6BL-0123-CFV	RFT42C1E-PFV	2910	3270	3730	4250	4840	5460	6110	6780	

Capacities rated at 40°F return gas, 5°F subcooling

R-449A Condensate Base LT

Copevap air-cooled condensing units

Model	Compressor	-25	-20	-15	-10	-5	0	5	10	15
100° Ambient										
M6TL-0018-IAA	AFE06C4E-IAA	383	440	508	586	676	774	880	994	1110
M6TL-0022-IAA	AFE08C4E-IAA	553	636	734	846	971	1110	1250	1400	1560
M6PL-0023-IAA	AFE08C4E-IAA	554	638	738	853	980	1120	1270	1430	1590
M6TL-0029-IAA	AFE11C4E-IAA	641	737	850	980	1120	1280	1440	1620	1800
M6EL-0030-IAA	AFE11C4E-IAA	644	742	858	990	1140	1300	1470	1650	1830
M6PL-0030-IAA	AFE11C4E-IAA	644	742	858	990	1140	1300	1470	1650	1830
M6QL-H032-IAA	AFE11C4E-IAA	644	743	859	993	1140	1300	1480	1660	1850
M6EL-H032-IAA	AFE11C4E-IAA	644	744	862	997	1150	1310	1490	1680	1870
M6TL-0037-IAA	AFE13C4E-IAA	818	940	1080	1250	1420	1620	1820	2030	2250
M6EL-0038-IAA	AFE13C4E-IAA	827	952	1100	1270	1450	1650	1860	2080	2310
M6PL-0038-IAA	AFE13C4E-IAA	827	952	1100	1270	1450	1650	1860	2080	2310
M6EL-H042-IAA	AFE13C4E-IAA	832	961	1110	1280	1480	1680	1910	2140	2380
M6TL-0040-IAA	AFE14C5E-IAA	911	1050	1200	1360	1530	1720	1910	2110	2320
M6TL-0040-IAV	AFE14C5E-IAV	911	1050	1200	1360	1530	1720	1910	2110	2320
M6EL-0041-IAA	AFE14C5E-IAA	923	1060	1210	1380	1560	1750	1960	2170	2390
M6PL-0041-IAA	AFE14C5E-IAA	923	1060	1210	1380	1560	1750	1960	2170	2390
M6EL-H043-IAA	AFE14C5E-IAA	931	1080	1260	1450	1660	1880	2120	2370	2630
M6EL-H043-IAV	AFE14C5E-IAV	931	1080	1260	1450	1660	1880	2120	2370	2630
M6EL-H054-CAA	AFE17C4E-CAA	1060	1210	1380	1590	1810	2050	2310	2570	2840
M6EL-H054-IAA	AFE17C4E-IAA	1060	1210	1380	1590	1810	2050	2310	2570	2840
M6EL-H054-IAV	AFE17C4E-IAV	1060	1210	1380	1590	1810	2050	2310	2570	2840
M6EL-0048-CAA	AFE17C4E-CAA	1160	1310	1500	1710	1940	2190	2450	2720	2990
M6EL-0052-IAA	AFE20C5E-IAA	1210	1390	1590	1800	2030	2260	2490	2730	2970
M6PL-0052-IAA	AFE20C5E-IAA	1210	1390	1590	1800	2030	2260	2490	2730	2970
M6TL-0051-IAA	AFE20C5E-IAA	1200	1380	1590	1810	2040	2280	2530	2780	3030
M6TL-0051-IAV	AFE20C5E-IAV	1200	1380	1590	1810	2040	2280	2530	2780	3030
M6EL-H056-IAA	AFE20C5E-IAA	1240	1440	1660	1900	2160	2440	2720	3010	3310
M6EL-H056-IAV	AFE20C5E-IAV	1240	1440	1660	1900	2160	2440	2720	3010	3310
M6PL-0060-CAV	AFE23C5E-CAV	1420	1630	1870	2130	2410	2700	3010	3320	3640
M6EL-H065-CAA	AFE23C5E-CAA	1500	1740	2010	2290	2580	2890	3210	3540	3880
M6EL-0068-CAA	AFE26C5E-CAA		1890	2160	2450	2740	3050	3350	3670	
M6EL-H074-CAA	AFE26C5E-CAA	1670	1940	2230	2540	2860	3190	3530	3880	4230
M6BL-0123-CFA	RFT42C1E-PFA		3150	3500	3930	4430	4980	5570	6170	
M6BL-0123-CFV	RFT42C1E-PFV		3150	3500	3930	4430	4980	5570	6170	

Capacities rated at 40°F return gas, 5°F subcooling

R-449A Condensate Base LT

Copevap air-cooled condensing units

Model	Compressor	-25	-20	-15	-10	-5	0	5	10	15
110° Ambient										
M6TL-0018-IAA	AFE06C4E-IAA	383	432	492	562	641	729	823	924	1030
M6PL-0023-IAA	AFE08C4E-IAA	502	583	678	785	903	1030	1170	1310	1460
M6TL-0022-IAA	AFE08C4E-IAA	531	605	693	793	905	1030	1160	1290	1430
M6QL-H032-IAA	AFE11C4E-IAA		657	769	896	1040	1190	1350	1510	1690
M6EL-H032-IAA	AFE11C4E-IAA		657	771	900	1040	1200	1360	1530	1710
M6EL-0030-IAA	AFE11C4E-IAA	580	674	783	906	1040	1190	1340	1510	1670
M6PL-0030-IAA	AFE11C4E-IAA	580	674	783	906	1040	1190	1340	1510	1670
M6TL-0029-IAA	AFE11C4E-IAA	605	691	792	908	1040	1170	1320	1480	1630
M6TL-0037-IAA	AFE13C4E-IAA		856	984	1130	1290	1460	1640	1830	2020
M6EL-0038-IAA	AFE13C4E-IAA		853	991	1150	1320	1500	1690	1890	2090
M6EL-H042-IAA	AFE13C4E-IAA		844	990	1150	1340	1530	1740	1950	2170
M6PL-0038-IAA	AFE13C4E-IAA		853	991	1150	1320	1500	1690	1890	2090
M6TL-0040-IAA	AFE14C5E-IAA		948	1080	1230	1390	1550	1730	1900	2090
M6TL-0040-IAV	AFE14C5E-IAV		948	1080	1230	1390	1550	1730	1900	2090
M6EL-0041-IAA	AFE14C5E-IAA		948	1090	1250	1420	1590	1780	1970	2160
M6PL-0041-IAA	AFE14C5E-IAA		948	1090	1250	1420	1590	1780	1970	2160
M6EL-H043-IAA	AFE14C5E-IAA		967	1130	1300	1500	1700	1920	2150	2390
M6EL-H043-IAV	AFE14C5E-IAV		967	1130	1300	1500	1700	1920	2150	2390
M6EL-H054-CAA	AFE17C4E-CAA			1250	1430	1640	1860	2100	2340	2590
M6EL-H054-IAA	AFE17C4E-IAA			1250	1430	1640	1860	2100	2340	2590
M6EL-H054-IAV	AFE17C4E-IAV			1250	1430	1640	1860	2100	2340	2590
M6EL-0048-CAA	AFE17C4E-CAA			1360	1540	1750	1980	2220	2460	
M6EL-0052-IAA	AFE20C5E-IAA			1420	1610	1820	2030	2240	2440	
M6PL-0052-IAA	AFE20C5E-IAA			1420	1610	1820	2030	2240	2440	
M6TL-0051-IAA	AFE20C5E-IAA				1640	1850	2060			
M6TL-0051-IAV	AFE20C5E-IAV				1640	1850	2060			
M6EL-H056-IAA	AFE20C5E-IAA			1500	1720	1960	2210	2470	2730	2990
M6EL-H056-IAV	AFE20C5E-IAV			1500	1720	1960	2210	2470	2730	2990
M6PL-0060-CAV	AFE23C5E-CAV				1930	2180	2450			
M6EL-H065-CAA	AFE23C5E-CAA			1810	2070	2340	2620	2910	3200	
M6EL-0068-CAA	AFE26C5E-CAA					2470				
M6EL-H074-CAA	AFE26C5E-CAA				2300	2600	2900	3210		
M6BL-0123-CFA	RFT42C1E-PFA			3390	3710	4100	4560	5070	5600	
M6BL-0123-CFV	RFT42C1E-PFV			3390	3710	4100	4560	5070	5600	

Capacities rated at 40°F return gas, 5°F subcooling

R-449A Condensate Base MT/EMT

Copevap air-cooled condensing units

Model	Compressor	-10	-5	0	5	10	15	20	25	30
90° Ambient										
M6TM-0020-IAA	ASE12C4E-IAA	682	808	942	1080	1230	1400	1570	1750	1940
M6EM-0020-IAA	ASE12C4E-IAA	690	818	954	1100	1250	1420	1590	1780	1980
M6PM-0020-IAA	ASE12C4E-IAA	690	818	954	1100	1250	1420	1590	1780	1980
M6EM-H022-IAA	ASE12C4E-IAA	690	820	959	1110	1270	1440	1620	1820	2020
M6TM-0022-IAA	ASE14C4E-IAA	850	997	1150	1310	1470	1650	1830	2030	2250
M6EM-0023-IAA	ASE14C4E-IAA	859	1010	1170	1330	1500	1680	1870	2080	2300
M6PM-0023-IAA	ASE14C4E-IAA	859	1010	1170	1330	1500	1680	1870	2080	2300
M6QM-H025-IAA	ASE14C4E-IAA	860	1010	1170	1330	1510	1690	1890	2100	2320
M6EM-H026-IAA	ASE14C4E-IAA	862	1020	1180	1340	1520	1710	1910	2130	2360
M6TM-0027-IAA	ASE20C4E-IAA	983	1230	1440	1650	1840	2040	2240	2460	2690
M6TM-0027-IAV	ASE20C4E-IAV	983	1230	1440	1650	1840	2040	2240	2460	2690
M6EM-0028-IAA	ASE20C4E-IAA	984	1230	1460	1670	1880	2090	2300	2530	2770
M6PM-0028-CAA	ASE20C4E-CAA	984	1230	1460	1670	1880	2090	2300	2530	2770
M6PM-0028-IAA	ASE20C4E-IAA	984	1230	1460	1670	1880	2090	2300	2530	2770
M6EM-H032-CAA	ASE20C4E-CAA	1160	1310	1490	1700	1930	2180	2450	2730	3030
M6TM-0028-IAA	ASE24C5E-IAA	1250	1420	1610	1810	2030	2270	2520	2790	3070
M6PM-0030-IAA	ASE24C5E-IAA	1270	1450	1640	1850	2080	2320	2580	2860	3160
M6EM-H034-IAA	ASE24C5E-IAA	1280	1470	1670	1890	2130	2390	2670	2970	3290
M6TM-0032-IAA	ASE28C5E-IAA		1770	1900	2080	2310	2580	2890	3250	3650
M6TM-0032-IAV	ASE28C5E-IAV		1770	1900	2080	2310	2580	2890	3250	3650
M6EM-0034-IAA	ASE28C5E-IAA		1850	1920	2090	2340	2650	3010	3370	3740
M6EM-H040-IAA	ASE28C5E-IAA	1940	1880	1960	2150	2420	2750	3130	3520	3910
M6EM-H051-IAA	ASE39C5E-IAA		2500	2610	2860	3210	3620	4060	4500	4910
M6EP-H056-CAA	RST45C1E-CAA		2300	2620	2950	3310	3690	4100	4540	4990
M6EP-H056-IAA	RST45C1E-IAA		2300	2620	2950	3310	3690	4100	4540	4990
M6BP-0064-CAA	RST45C1E-CAA	2130	2470	2840	3260	3720	4210	4760	5340	5970
M6BP-0064-CAV	RST45C1E-CAV	2130	2470	2840	3260	3720	4210	4760	5340	5970
M6BP-0075-CAA	RST55C1E-CAA	2690	3040	3460	3950	4490	5090	5740	6430	7170
M6BP-0075-CAV	RST55C1E-CAV	2690	3040	3460	3950	4490	5090	5740	6430	7170
M6BP-0096-CFV	RST70C1E-PFV	3450	4000	4580	5180	5810	6460	7140	7820	8530
M6BP-0092-CAV	RST64C1E-CAV	3550	4050	4570	5140	5740	6400	7100	7850	8660
M6BP-0092-CFA	RST64C1E-CFA	3550	4050	4570	5140	5740	6400	7100	7850	8660
M6BP-0106-CFV	RST80C1E-PFV		4580	5200	5850	6520	7220	7960	8710	9490
M6BP-0116-CFV	RST97C1E-PFV		5140	5840	6570	7310	8070	8820	9590	10300

Capacities rated at 40°F return gas, 5°F subcooling

R-449A Condensate Base MT/EMT

Copevap air-cooled condensing units

Model	Compressor	-10	-5	0	5	10	15	20	25	30
100° Ambient										
M6TM-0020-IAA	ASE12C4E-IAA		727	850	981	1120	1270	1420	1580	1760
M6EM-0020-IAA	ASE12C4E-IAA		732	858	992	1130	1290	1450	1620	1800
M6PM-0020-IAA	ASE12C4E-IAA		732	858	992	1130	1290	1450	1620	1800
M6EM-H022-IAA	ASE12C4E-IAA		734	863	1000	1150	1300	1470	1650	1840
M6TM-0022-IAA	ASE14C4E-IAA		907	1050	1190	1340	1500	1670	1860	2060
M6EM-0023-IAA	ASE14C4E-IAA		917	1060	1210	1360	1530	1710	1900	2100
M6PM-0023-IAA	ASE14C4E-IAA		917	1060	1210	1360	1530	1710	1900	2100
M6QM-H025-IAA	ASE14C4E-IAA		919	1060	1210	1370	1540	1720	1920	2130
M6EM-H026-IAA	ASE14C4E-IAA		923	1070	1220	1390	1560	1740	1950	2160
M6TM-0027-IAA	ASE20C4E-IAA			1370	1530	1700	1860	2020	2210	2410
M6TM-0027-IAV	ASE20C4E-IAV			1370	1530	1700	1860	2020	2210	2410
M6EM-0028-IAA	ASE20C4E-IAA		1190	1380	1560	1730	1900	2080	2280	2490
M6PM-0028-CAA	ASE20C4E-CAA		1190	1380	1560	1730	1900	2080	2280	2490
M6PM-0028-IAA	ASE20C4E-IAA		1190	1380	1560	1730	1900	2080	2280	2490
M6EM-H032-CAA	ASE20C4E-CAA		1190	1350	1540	1750	1980	2230	2490	2770
M6TM-0028-IAA	ASE24C5E-IAA			1450	1630	1830	2050	2280	2530	2790
M6PM-0030-IAA	ASE24C5E-IAA		1310	1480	1670	1880	2110	2350	2610	2880
M6EM-H034-IAA	ASE24C5E-IAA		1330	1510	1710	1930	2170	2430	2700	3000
M6TM-0032-IAA	ASE28C5E-IAA			1740	1910	2120	2360	2650	2980	3340
M6TM-0032-IAV	ASE28C5E-IAV			1740	1910	2120	2360	2650	2980	3340
M6EM-0034-IAA	ASE28C5E-IAA			1760	1900	2120	2400	2730	3080	3440
M6EM-H040-IAA	ASE28C5E-IAA			1800	1950	2190	2490	2840	3220	3590
M6EM-H051-IAA	ASE39C5E-IAA			2410	2610	2920	3290	3690	4090	4460
M6EP-H056-CAA	RST45C1E-CAA			2360	2660	2990	3330	3700	4090	4500
M6EP-H056-IAA	RST45C1E-IAA			2360	2660	2990	3330	3700	4090	4500
M6BP-0064-CAA	RST45C1E-CAA		2210	2560	2940	3360	3810	4310	4840	5420
M6BP-0064-CAV	RST45C1E-CAV		2210	2560	2940	3360	3810	4310	4840	5420
M6BP-0075-CAA	RST55C1E-CAA		2690	3070	3510	4010	4560	5170	5830	6520
M6BP-0075-CAV	RST55C1E-CAV		2690	3070	3510	4010	4560	5170	5830	6520
M6BP-0092-CAV	RST64C1E-CAV			4180	4700	5260	5860	6500	7190	7940
M6BP-0092-CFA	RST64C1E-CFA			4180	4700	5260	5860	6500	7190	7940
M6BP-0096-CFV	RST70C1E-PFV			4150	4720	5320	5930	6560	7200	7860
M6BP-0106-CFV	RST80C1E-PFV			4690	5300	5940	6600	7290	8000	8740
M6BP-0116-CFV	RST97C1E-PFV				5970	6680	7390	8110	8820	

Capacities rated at 40°F return gas, 5°F subcooling

R-449A Condensate Base MT/EMT

Copevap air-cooled condensing units

Model	Compressor	-10	-5	0	5	10	15	20	25	30
110° Ambient										
M6TM-0020-IAA	ASE12C4E-IAA			790	904	1030	1150	1290	1440	1590
M6EM-0020-IAA	ASE12C4E-IAA			780	901	1030	1170	1310	1460	1630
M6PM-0020-IAA	ASE12C4E-IAA			780	901	1030	1170	1310	1460	1630
M6EM-H022-IAA	ASE12C4E-IAA			769	895	1030	1170	1320	1490	1660
M6TM-0022-IAA	ASE14C4E-IAA			961	1090	1220	1370	1520	1690	1870
M6EM-0023-IAA	ASE14C4E-IAA			964	1100	1240	1390	1560	1730	1920
M6PM-0023-IAA	ASE14C4E-IAA			964	1100	1240	1390	1560	1730	1920
M6QM-H025-IAA	ASE14C4E-IAA			955	1090	1240	1400	1560	1740	1940
M6EM-H026-IAA	ASE14C4E-IAA			961	1100	1250	1410	1590	1770	1970
M6TM-0027-IAA	ASE20C4E-IAA				1430	1560	1680	1810	1950	2120
M6TM-0027-IAV	ASE20C4E-IAV				1430	1560	1680	1810	1950	2120
M6EM-0028-IAA	ASE20C4E-IAA				1450	1590	1720	1870	2030	2210
M6PM-0028-CAA	ASE20C4E-CAA				1450	1590	1720	1870	2030	2210
M6PM-0028-IAA	ASE20C4E-IAA				1450	1590	1720	1870	2030	2210
M6EM-H032-CAA	ASE20C4E-CAA				1380	1580	1790	2010	2250	2510
M6TM-0028-IAA	ASE24C5E-IAA				1470	1650	1830	2040	2260	
M6PM-0030-IAA	ASE24C5E-IAA				1510	1690	1890	2110	2340	2590
M6EM-H034-IAA	ASE24C5E-IAA				1540	1730	1950	2190	2440	2720
M6TM-0032-IAA	ASE28C5E-IAA					1920	2150			
M6TM-0032-IAV	ASE28C5E-IAV					1920	2150			
M6EM-0034-IAA	ASE28C5E-IAA				1730	1910	2170	2460	2790	
M6EM-H040-IAA	ASE28C5E-IAA				1770	1980	2250	2580	2930	3290
M6EM-H051-IAA	ASE39C5E-IAA					2620	2940	3300		
M6EP-H056-CAA	RST45C1E-CAA					2670	2970			
M6EP-H056-IAA	RST45C1E-IAA					2670	2970			
M6BP-0064-CAA	RST45C1E-CAA				2620	3000	3420	3870	4360	4890
M6BP-0064-CAV	RST45C1E-CAV				2620	3000	3420	3870	4360	4890
M6BP-0075-CAA	RST55C1E-CAA				3110	3570	4090	4660	5270	5930
M6BP-0075-CAV	RST55C1E-CAV				3110	3570	4090	4660	5270	5930
M6BP-0092-CAV	RST64C1E-CAV					4780	5330	5910		
M6BP-0092-CFA	RST64C1E-CFA					4780	5330	5910		
M6BP-0096-CFV	RST70C1E-PFV				4250	4820	5390	5980	6580	
M6BP-0106-CFV	RST80C1E-PFV					5380	6000			
M6BP-0116-CFV	RST97C1E-PFV					6080				

Capacities rated at 40°F return gas, 5°F subcooling

R-450A Condensate Base MT/EMT

Copevap welded air-cooled condensing units

Model	Compressor	-25	-20	-15	-10	-5	0	5	10	15	20	25	30
90° Ambient													
M7JM-0019-IAA	AFE05C4E-IAA	406	487	574	669	771	883	1000	1140	1280	1430		
M7JM-H020-IAA	AFE05C4E-IAA	424	509	601	702	810	929	1060	1200	1350	1510		
M7JP-0020-IAA	AFF07C1E-IAA	451	531	617	709	808	916	1030	1160	1300	1440	1600	
M7ZP-0021-IAA	AFE05C4E-IAA	428	515	609	711	821	942	1070	1210	1370	1540		
M7TP-0020-IAA	AFF07C1E-IAA	465	547	635	730	834	946	1070	1200	1350	1510	1680	
M7EP-0021-IAA	AFF07C1E-IAA	468	550	639	735	839	954	1080	1220	1370	1530	1710	
M7PP-0021-IAA	AFF07C1E-IAA	468	550	639	735	839	954	1080	1220	1370	1530	1710	
M7JP-0029-IAA	AFF10C1E-IAA	682	807	939	1080	1230	1390	1560	1750	1940	2150	2370	
M7PP-0032-IA3	AFF10C1E-IA3	696	820	958	1110	1280	1460	1660	1880	2110	2360	2630	
M7TP-0032-IAA	AFF10C1E-IAA	711	840	978	1130	1280	1460	1640	1850	2070	2300	2550	
M7EP-0032-IAA	AFF10C1E-IAA	717	848	987	1140	1300	1480	1670	1870	2100	2340	2600	
M7PP-0032-IAA	AFF10C1E-IAA	717	848	987	1140	1300	1480	1670	1870	2100	2340	2600	
M7JP-0031-IAA	AFF13C1E-IAA	790	934	1090	1250	1420	1600	1790	2000	2210	2440	2680	
M7TP-0033-IAA	AFF13C1E-IAA	826	976	1130	1300	1490	1680	1900	2130	2370	2640	2920	
M7EP-0034-IAA	AFF13C1E-IAA	835	986	1150	1320	1510	1710	1930	2160	2420	2690	2990	
M7PP-0034-IAA	AFF13C1E-IAA	835	986	1150	1320	1510	1710	1930	2160	2420	2690	2990	
M7JL-0034-IAA	AFE12C4E-IAA	871	1010	1160	1340	1530	1730	1940	2160	2380	2600		
M7TM-0035-IAA	AFE12C4E-IAA	910	1060	1220	1410	1620	1850	2090	2340	2610	2880		
M7JM-H036-IAA	AFE12C4E-IAA	920	1070	1240	1430	1650	1880	2130	2390	2670	2960		
M7PM-0036-IAA	AFE12C4E-IAA	920	1070	1240	1430	1650	1880	2130	2390	2670	2960		
M7ZP-0041-IAA	AFE12C4E-IAA	935	1090	1260	1460	1690	1930	2190	2470	2760	3070		
M7ZM-0043-IAA	AFE13C5E-IAA	949	1110	1300	1510	1740	1980	2250	2540	2840	3150		
M7ZP-H062-CFA	RFT18C1E-PFA	1360	1670	2000	2330	2670	3030	3390	3760	4150	4540	4950	5360
M7GP-H066-CFA	RFT18C1E-PFA	1400	1720	2060	2410	2770	3140	3530	3930	4350	4780	5220	5680
100° Ambient													
M7JM-0019-IAA	AFE05C4E-IAA	365	439	520	608	705	811	927	1050	1190	1340		
M7JM-H020-IAA	AFE05C4E-IAA	382	461	547	641	744	858	981	1120	1260	1420		
M7ZP-0021-IAA	AFE05C4E-IAA	387	467	555	651	756	872	998	1140	1290	1450		
M7JP-0020-IAA	AFF07C1E-IAA	414	493	576	664	758	859	969	1090	1210	1350	1500	
M7TP-0020-IAA	AFF07C1E-IAA	428	508	593	684	782	888	1000	1130	1270	1410	1580	
M7EP-0021-IAA	AFF07C1E-IAA	430	511	596	688	787	894	1010	1140	1280	1430	1600	
M7PP-0021-IAA	AFF07C1E-IAA	430	511	596	688	787	894	1010	1140	1280	1430	1600	
M7JP-0029-IAA	AFF10C1E-IAA	621	743	870	1000	1150	1300	1460	1630	1810	2000	2200	
M7PP-0032-IA3	AFF10C1E-IA3	625	742	871	1010	1170	1350	1530	1740	1960	2190	2440	
M7TP-0032-IAA	AFF10C1E-IAA	649	775	907	1050	1200	1360	1540	1720	1930	2150	2380	
M7EP-0032-IAA	AFF10C1E-IAA	654	782	916	1060	1210	1380	1560	1750	1960	2190	2430	
M7PP-0032-IAA	AFF10C1E-IAA	654	782	916	1060	1210	1380	1560	1750	1960	2190	2430	
M7JP-0031-IAA	AFF13C1E-IAA	717	858	1000	1160	1320	1490	1670	1850	2050	2260	2480	
M7TP-0033-IAA	AFF13C1E-IAA	753	899	1050	1210	1390	1570	1770	1980	2210	2460	2720	
M7EP-0034-IAA	AFF13C1E-IAA	762	909	1060	1230	1410	1600	1800	2020	2260	2510	2780	
M7JL-0034-IAA	AFE12C4E-IAA	809	933	1080	1230	1410	1590	1780	1970	2170			
M7PP-0034-IAA	AFF13C1E-IAA	762	909	1060	1230	1410	1600	1800	2020	2260	2510	2780	
M7TM-0035-IAA	AFE12C4E-IAA	842	978	1130	1310	1500	1710	1930	2170	2410	2670		
M7JM-H036-IAA	AFE12C4E-IAA	851	989	1150	1330	1530	1750	1980	2220	2480	2740		
M7PM-0036-IAA	AFE12C4E-IAA	851	989	1150	1330	1530	1750	1980	2220	2480	2740		
M7ZP-0041-IAA	AFE12C4E-IAA	865	1010	1170	1360	1570	1800	2040	2300	2580	2860		
M7ZM-0043-IAA	AFE13C5E-IAA	873	1030	1200	1400	1610	1840	2090	2360	2640	2930		
M7ZP-H062-CFA	RFT18C1E-PFA	1160	1470	1780	2110	2440	2780	3130	3490	3850	4230	4610	5010
M7GP-H066-CFA	RFT18C1E-PFA	1210	1530	1860	2190	2540	2900	3270	3650	4040	4450	4870	5300

Capacities rated at 40°F return gas, 5°F subcooling

R-450A Condensate Base MT/EMT

Copevap welded air-cooled condensing units

Model	Compressor	-25	-20	-15	-10	-5	0	5	10	15	20	25	30
110° Ambient													
M7JM-0019-IAA	AFE05C4E-IAA	321	388	462	544	634	734	844	965	1100	1240		
M7JM-H020-IAA	AFE05C4E-IAA	336	407	486	574	672	780	899	1030	1170	1330		
M7ZP-0021-IAA	AFE05C4E-IAA	343	417	498	587	687	797	918	1050	1200	1360		
M7JP-0020-IAA	AFF07C1E-IAA	375	453	533	618	707	802	903	1010	1130	1260	1390	
M7TP-0020-IAA	AFF07C1E-IAA	387	466	549	636	729	829	937	1050	1180	1320	1470	
M7EP-0021-IAA	AFF07C1E-IAA	389	469	552	640	734	835	945	1060	1190	1340	1490	
M7PP-0021-IAA	AFF07C1E-IAA	389	469	552	640	734	835	945	1060	1190	1340	1490	
M7PP-0032-IA3	AFF10C1E-IA3	554	663	784	918	1070	1230	1400	1590	1800	2020	2260	
M7JP-0029-IAA	AFF10C1E-IAA		673	795	922	1050	1190	1340	1500	1670			
M7TP-0032-IAA	AFF10C1E-IAA	580	704	833	968	1110	1260	1430	1600	1790	1990	2210	
M7EP-0032-IAA	AFF10C1E-IAA	586	711	842	979	1120	1280	1450	1630	1820	2030	2260	
M7PP-0032-IAA	AFF10C1E-IAA	586	711	842	979	1120	1280	1450	1630	1820	2030	2260	
M7JP-0031-IAA	AFF13C1E-IAA		774	914	1060	1210	1370	1530	1700				
M7JL-0034-IAA	AFE12C4E-IAA			984	1120	1280	1440						
M7TP-0033-IAA	AFF13C1E-IAA	673	817	965	1120	1280	1460	1640	1840	2050	2280	2520	
M7EP-0034-IAA	AFF13C1E-IAA	682	827	978	1140	1300	1480	1670	1880	2100	2330	2580	
M7PP-0034-IAA	AFF13C1E-IAA	682	827	978	1140	1300	1480	1670	1880	2100	2330	2580	
M7TM-0035-IAA	AFE12C4E-IAA		901	1040	1200	1380	1570	1770	1990	2200	2430		
M7JM-H036-IAA	AFE12C4E-IAA		912	1060	1220	1400	1600	1810	2040	2270	2510		
M7PM-0036-IAA	AFE12C4E-IAA		912	1060	1220	1400	1600	1810	2040	2270	2510		
M7ZP-0041-IAA	AFE12C4E-IAA	801	931	1080	1250	1450	1660	1880	2120	2370	2640		
M7ZM-0043-IAA	AFE13C5E-IAA	798	942	1110	1290	1490	1710	1940	2180	2440	2710		
M7ZP-H062-CFA	RFT18C1E-PFA			1550	1870	2190	2530	2870	3220	3570	3940	4320	
M7GP-H066-CFA	RFT18C1E-PFA			1620	1950	2290	2640	3000	3370	3750	4130	4540	4950

Capacities rated at 40°F return gas, 5°F subcooling

R-450A Condensate Base HT

Copevap welded air-cooled condensing units

Model	Compressor	-10	-5	0	5	10	15	20	25	30	35	40	45
90° Ambient													
M7TH-0012-IAA	ARE13C4E-IAA			547	630	721	821	931	1050	1180	1320	1470	1630
M7PH-0012-IAA	ARE13C4E-IAA			550	635	727	828	939	1060	1190	1340	1490	1660
M7TH-0015-IAA	ARE17C4E-IAA			677	776	883	1000	1130	1260	1410	1570	1740	1930
M7PH-0015-IAA	ARE17C4E-IAA			682	782	890	1010	1140	1280	1430	1590	1770	1950
M7TH-0020-IAA	ARE25C4E-IAA			931	1060	1200	1360	1520	1700	1890	2100	2320	2560
M7EH-0020-IAA	ARE25C4E-IAA			939	1070	1220	1370	1540	1730	1920	2130	2360	2600
M7PH-0020-IAA	ARE25C4E-IAA			939	1070	1220	1370	1540	1730	1920	2130	2360	2600
M7TH-0023-IAA	ARE29C4E-IAA			1120	1260	1410	1590	1770	1980	2200	2430	2670	2930
M7EH-0024-IAA	ARE29C4E-IAA			1140	1270	1430	1610	1800	2020	2240	2480	2730	3000
M7PH-0024-IAA	ARE29C4E-IAA			1140	1270	1430	1610	1800	2020	2240	2480	2730	3000
M7TH-0025-IAA	ARE34C4E-IAA			1270	1420	1590	1780	1990	2220	2470	2730	3000	3280
M7TH-0028-IAA	ARE35C5E-IAA			1250	1420	1610	1820	2040	2280	2540	2810	3090	3400
M7EH-0029-IAA	ARE35C5E-IAA			1270	1440	1640	1850	2070	2320	2580	2860	3160	3470
M7PH-0029-IAA	ARE35C5E-IAA			1270	1440	1640	1850	2070	2320	2580	2860	3160	3470
M7TH-0036-IAA	ARE48C5E-IAA			1670	1910	2160	2420	2700	2990	3290	3610	3940	4280
M7EH-0037-IAA	ARE48C5E-IAA			1690	1940	2190	2470	2750	3060	3370	3710	4050	4410
M7PH-0038-IAA	ARE48C5E-IAA			1690	1940	2190	2470	2750	3060	3370	3710	4050	4410
M7EH-0041-IAA	ARE54C5E-IAA			1890	2160	2450	2750	3070	3400	3740	4100	4460	4840
M7PH-0042-IAA	ARE54C5E-IAA			1890	2160	2450	2750	3070	3400	3740	4100	4460	4840
M7BH-0060-CAV	RRT64C1E-CAV	2050	2330	2650	3000	3390	3810	4260	4740	5250	5790	6350	6930
M7BH-0060-CAA	RRT64C1E-CAA	2070	2330	2640	3000	3390	3820	4280	4780	5300	5840	6390	6960
M7BH-0064-CAA	RRT73C1E-CAA	2250	2540	2880	3260	3670	4120	4590	5090	5610	6150	6710	7280
M7BH-0064-CAV	RRT73C1E-CAV	2160	2540	2930	3360	3800	4270	4760	5290	5840	6420	7030	7670
M7BH-0075-CFA	RRT81C1E-PFA		2840	3270	3750	4260	4810	5390	6010	6650	7320	8020	8730
M7BH-0075-CFV	RRT81C1E-PFV		2730	3100	3570	4120	4730	5380	6050	6740	7430	8110	8770
M7BH-0086-CFA	RRT10K1E-PFA		3370	3870	4410	4980	5580	6210	6860	7540	8230	8940	9660
M7BH-0086-CFV	RRT10K1E-PFV		3430	3970	4520	5080	5650	6250	6860	7500	8160	8850	9560
100° Ambient													
M7TH-0012-IAA	ARE13C4E-IAA			501	580	665	759	861	972	1090	1220	1360	1520
M7PH-0012-IAA	ARE13C4E-IAA			505	584	671	766	869	982	1110	1240	1380	1540
M7TH-0015-IAA	ARE17C4E-IAA			627	719	820	929	1050	1180	1320	1470	1630	1800
M7PH-0015-IAA	ARE17C4E-IAA			632	725	827	939	1060	1190	1330	1490	1650	1830
M7TH-0020-IAA	ARE25C4E-IAA			862	983	1120	1260	1410	1580	1770	1960	2170	2400
M7EH-0020-IAA	ARE25C4E-IAA			871	994	1130	1280	1440	1610	1800	2000	2210	2440
M7PH-0020-IAA	ARE25C4E-IAA			871	994	1130	1280	1440	1610	1800	2000	2210	2440
M7TH-0023-IAA	ARE29C4E-IAA			1050	1170	1310	1470	1640	1830	2030	2250	2470	2700
M7EH-0024-IAA	ARE29C4E-IAA			1060	1180	1330	1490	1670	1860	2070	2300	2530	2770
M7PH-0024-IAA	ARE29C4E-IAA			1060	1180	1330	1490	1670	1860	2070	2300	2530	2770
M7TH-0025-IAA	ARE34C4E-IAA			1180	1310	1470	1640	1840	2050	2270	2510	2760	3030
M7TH-0028-IAA	ARE35C5E-IAA			1160	1320	1500	1700	1910	2130	2370	2630	2900	3190
M7EH-0029-IAA	ARE35C5E-IAA			1180	1340	1520	1720	1940	2170	2420	2690	2960	3260
M7PH-0029-IAA	ARE35C5E-IAA			1180	1340	1520	1720	1940	2170	2420	2690	2960	3260
M7TH-0036-IAA	ARE48C5E-IAA			1570	1790	2020	2260	2520	2780	3060	3350	3650	
M7EH-0037-IAA	ARE48C5E-IAA			1590	1820	2050	2310	2570	2850	3140	3450	3770	4090
M7PH-0038-IAA	ARE48C5E-IAA			1590	1820	2050	2310	2570	2850	3140	3450	3770	4090
M7EH-0041-IAA	ARE54C5E-IAA			1750	2010	2280	2570	2860	3170	3490	3810	4150	
M7PH-0042-IAA	ARE54C5E-IAA			1750	2010	2280	2570	2860	3170	3490	3810	4150	
M7BH-0060-CAV	RRT64C1E-CAV			2380	2720	3090	3490	3920	4380	4860	5370	5900	6460
M7BH-0060-CAA	RRT64C1E-CAA			2440	2780	3160	3560	4000	4450	4930	5430	5930	6450
M7BH-0064-CAA	RRT73C1E-CAA			2690	3040	3420	3840	4280	4750	5240	5750	6280	6820
M7BH-0064-CAV	RRT73C1E-CAV			2640	3050	3470	3920	4390	4880	5400	5950	6520	7120
M7BH-0075-CFV	RRT81C1E-PFV			2750	3160	3660	4230	4850	5500	6180	6860	7540	8200
M7BH-0075-CFA	RRT81C1E-PFA			2960	3420	3900	4420	4980	5560	6160	6790	7440	8110
M7BH-0086-CFV	RRT10K1E-PFV				4140	4670	5210	5760	6330	6910	7520	8160	8810
M7BH-0086-CFA	RRT10K1E-PFA			3540	4040	4580	5150	5740	6360	7000	7650	8320	9000

Capacities rated at 40°F return gas, 5°F subcooling

R-450A Condensate Base HT

Copevap welded air-cooled condensing units

Model	Compressor	-10	-5	0	5	10	15	20	25	30	35	40	45
110° Ambient													
M7TH-0012-IAA	ARE13C4E-IAA			454	527	606	692	786	888	1000	1120	1250	1390
M7PH-0012-IAA	ARE13C4E-IAA			457	531	611	698	794	899	1010	1140	1270	1420
M7TH-0015-IAA	ARE17C4E-IAA			573	659	753	855	966	1090	1220	1360	1510	1670
M7PH-0015-IAA	ARE17C4E-IAA			577	664	760	864	977	1100	1230	1380	1530	1700
M7TH-0020-IAA	ARE25C4E-IAA				898	1020	1150	1290	1450	1620	1810	2000	2220
M7EH-0020-IAA	ARE25C4E-IAA			797	909	1030	1170	1320	1480	1650	1840	2050	2270
M7PH-0020-IAA	ARE25C4E-IAA			797	909	1030	1170	1320	1480	1650	1840	2050	2270
M7TH-0023-IAA	ARE29C4E-IAA				1080	1210	1350	1510	1680	1860	2060	2260	2470
M7EH-0024-IAA	ARE29C4E-IAA				1090	1220	1370	1540	1710	1900	2110	2320	2540
M7PH-0024-IAA	ARE29C4E-IAA				1090	1220	1370	1540	1710	1900	2110	2320	2540
M7TH-0025-IAA	ARE34C4E-IAA					1350	1510	1680	1870	2080	2300	2530	2760
M7TH-0028-IAA	ARE35C5E-IAA					1390	1570	1770	1990	2210	2460	2710	
M7EH-0029-IAA	ARE35C5E-IAA			1240	1410	1600	1800	2020	2260	2510	2770	3050	
M7PH-0029-IAA	ARE35C5E-IAA			1240	1410	1600	1800	2020	2260	2510	2770	3050	
M7TH-0036-IAA	ARE48C5E-IAA							2340	2570				
M7EH-0037-IAA	ARE48C5E-IAA						2150	2390	2640	2910			
M7PH-0038-IAA	ARE48C5E-IAA						2150	2390	2640	2910			
M7EH-0041-IAA	ARE54C5E-IAA								2930				
M7PH-0042-IAA	ARE54C5E-IAA								2930				
M7BH-0060-CAV	RRT64C1E-CAV				2470	2820	3200	3610	4040	4500	4990	5490	6020
M7BH-0060-CAA	RRT64C1E-CAA				2540	2900	3270	3670	4090	4530	4980	5430	5900
M7BH-0064-CAA	RRT73C1E-CAA				2790	3160	3550	3970	4420	4890	5380	5890	6420
M7BH-0064-CAV	RRT73C1E-CAV				2770	3170	3590	4030	4490	4970	5480	6010	6570
M7BH-0075-CFV	RRT81C1E-PFV				2780	3220	3740	4330	4950	5610	6280	6950	
M7BH-0075-CFA	RRT81C1E-PFA					3550	4030	4550	5090	5660	6250	6860	
M7BH-0086-CFV	RRT10K1E-PFV					4250	4750	5260	5780	6320	6880		
M7BH-0086-CFA	RRT10K1E-PFA					4160	4690	5250	5830	6430			

Capacities rated at 40°F return gas, 5°F subcooling

R-513A Medium Temp/EMT

Copevap welded air-cooled condensing units

Model	Compressor	-25	-20	-15	-10	-5	0	5	10	15	20	25
90° Ambient												
M7TP-0020-IAA	AFF07C1E-IAA	595	690	794	907	1030	1160	1300	1450	1620	1790	1970
M7EP-0021-IAA	AFF07C1E-IAA	600	695	800	915	1040	1170	1320	1470	1640	1810	2000
M7PP-0021-IAA	AFF07C1E-IAA	600	695	800	915	1040	1170	1320	1470	1640	1810	2000
M7PP-0032-IA3	AFF10C1E-IA3	898	1050	1210	1390	1580	1790	2010	2250	2500	2760	3040
M7TP-0032-IAA	AFF10C1E-IAA	905	1050	1210	1390	1570	1770	1980	2210	2440	2690	2950
M7EP-0032-IAA	AFF10C1E-IAA	916	1070	1230	1410	1600	1800	2020	2250	2490	2750	3020
M7PP-0032-IAA	AFF10C1E-IAA	916	1070	1230	1410	1600	1800	2020	2250	2490	2750	3020
M7TP-0033-IAA	AFF13C1E-IAA	1050	1220	1400	1600	1810	2040	2280	2530	2790	3070	3360
M7EP-0034-IAA	AFF13C1E-IAA	1060	1240	1420	1630	1840	2080	2320	2580	2860	3150	3450
M7PP-0034-IAA	AFF13C1E-IAA	1060	1240	1420	1630	1840	2080	2320	2580	2860	3150	3450
M7TM-0035-IAA	AFE12C4E-IAA	1070	1240	1440	1670	1910	2180	2460	2750	3050	3360	
M7PM-0036-IAA	AFE12C4E-IAA	1080	1260	1470	1700	1950	2220	2520	2820	3140	3460	
M7EM-H043-IAA	AFE13C5E-IAA	1120	1320	1540	1790	2060	2360	2670	3000	3340	3700	
100° Ambient												
M7TP-0020-IAA	AFF07C1E-IAA	552	640	737	843	957	1080	1210	1350	1510	1670	1840
M7EP-0021-IAA	AFF07C1E-IAA	556	645	743	851	967	1090	1230	1370	1530	1690	1870
M7PP-0021-IAA	AFF07C1E-IAA	556	645	743	851	967	1090	1230	1370	1530	1690	1870
M7PP-0032-IA3	AFF10C1E-IA3	808	946	1100	1270	1450	1640	1850	2070	2300	2550	2800
M7TP-0032-IAA	AFF10C1E-IAA	830	967	1120	1280	1450	1640	1830	2040	2260	2490	2740
M7EP-0032-IAA	AFF10C1E-IAA	841	981	1130	1300	1480	1670	1870	2080	2310	2550	2810
M7PP-0032-IAA	AFF10C1E-IAA	841	981	1130	1300	1480	1670	1870	2080	2310	2550	2810
M7TP-0033-IAA	AFF13C1E-IAA	961	1120	1290	1470	1670	1880	2100	2330	2580	2840	3110
M7EP-0034-IAA	AFF13C1E-IAA	976	1140	1310	1500	1700	1920	2150	2390	2650	2910	3200
M7PP-0034-IAA	AFF13C1E-IAA	976	1140	1310	1500	1700	1920	2150	2390	2650	2910	3200
M7TM-0035-IAA	AFE12C4E-IAA	983	1140	1320	1530	1760	2000	2250	2520	2790	3070	
M7PM-0036-IAA	AFE12C4E-IAA	997	1160	1350	1560	1800	2050	2320	2600	2890	3180	
M7EM-H043-IAA	AFE13C5E-IAA	1030	1210	1420	1650	1900	2180	2470	2770	3090	3420	
110° Ambient												
M7TP-0020-IAA	AFF07C1E-IAA	504	587	677	775	882	997	1120	1250	1390	1540	1700
M7EP-0021-IAA	AFF07C1E-IAA	508	592	683	783	892	1010	1140	1270	1420	1570	1730
M7PP-0021-IAA	AFF07C1E-IAA	508	592	683	783	892	1010	1140	1270	1420	1570	1730
M7PP-0032-IA3	AFF10C1E-IA3	714	843	985	1140	1310	1490	1680	1890	2110	2330	2570
M7TP-0032-IAA	AFF10C1E-IAA		876	1020	1160	1330	1500	1680	1870	2080	2290	2520
M7EP-0032-IAA	AFF10C1E-IAA	760	890	1030	1180	1350	1530	1720	1920	2130	2350	2590
M7PP-0032-IAA	AFF10C1E-IAA	760	890	1030	1180	1350	1530	1720	1920	2130	2350	2590
M7TP-0033-IAA	AFF13C1E-IAA		1010	1170	1340	1520	1720	1920	2140	2360	2600	2850
M7EP-0034-IAA	AFF13C1E-IAA		1030	1190	1370	1560	1760	1970	2190	2430	2680	2940
M7PP-0034-IAA	AFF13C1E-IAA		1030	1190	1370	1560	1760	1970	2190	2430	2680	2940
M7TM-0035-IAA	AFE12C4E-IAA		1040	1210	1390	1590	1810	2040	2280	2520		
M7PM-0036-IAA	AFE12C4E-IAA		1060	1230	1420	1640	1860	2100	2360	2610	2880	
M7EM-H043-IAA	AFE13C5E-IAA	930	1100	1300	1510	1750	2000	2270	2550	2850	3150	

Capacities rated at 40°F return gas (65° return gas for capacities in bold), 5°F subcooling

R-513A Condensate Base HT

Copevap welded air-cooled condensing units

Model	Compressor	-5	0	5	10	15	20	25	30	35	40	45
90° Ambient												
M7TH-0012-IAA	ARE13C4E-IAA		695	791	896	1010	1130	1270	1410	1570	1730	1910
M7PH-0012-IAA	ARE13C4E-IAA		701	799	905	1020	1150	1280	1430	1590	1760	1950
M7EH-H016-IAA	ARE17C4E-IAA		834	947	1070	1200	1350	1500	1670			
M7TH-0015-IAA	ARE17C4E-IAA		861	974	1100	1230	1370	1520	1680	1860	2040	2240
M7PH-0015-IAA	ARE17C4E-IAA		869	984	1110	1240	1390	1540	1710	1890	2080	2280
M7EH-H022-IAA	ARE25C4E-IAA		1140	1290	1450	1630	1810	2010	2230			
M7TH-0020-IAA	ARE25C4E-IAA		1180	1330	1490	1660	1840	2030	2240	2460	2700	2950
M7EH-0020-IAA	ARE25C4E-IAA		1190	1350	1510	1680	1870	2070	2290	2510	2760	3020
M7PH-0020-IAA	ARE25C4E-IAA		1190	1350	1510	1680	1870	2070	2290	2510	2760	3020
M7TH-0023-IAA	ARE29C4E-IAA		1420	1570	1740	1930	2130	2350	2580	2820	3070	3330
M7TH-0025-IAA	ARE34C4E-IAA		1430	1570	1740	1930	2130	2350	2590	2830	3090	3360
M7TH-0025-IAV	ARE34C4E-IAV		1430	1570	1740	1930	2130	2350	2590	2830	3090	3360
M7EH-H026-IAA	ARE29C4E-IAA		1400	1560	1730	1930	2140	2370	2620			
M7EH-0024-IAA	ARE29C4E-IAA		1440	1600	1770	1960	2170	2400	2640	2890	3160	3430
M7PH-0024-IAA	ARE29C4E-IAA		1440	1600	1770	1960	2170	2400	2640	2890	3160	3430
M7TH-0028-IAA	ARE35C5E-IAA		1530	1740	1970	2220	2480	2750	3030	3310	3600	3900
M7EH-H032-IAA	ARE35C5E-IAA		1510	1720	1960	2210	2480	2770	3070			
M7EH-0029-IAA	ARE35C5E-IAA		1560	1770	2010	2260	2530	2810	3100	3400	3710	4020
M7PH-0029-IAA	ARE35C5E-IAA		1560	1770	2010	2260	2530	2810	3100	3400	3710	4020
M7TH-0036-IAA	ARE48C5E-IAA		2110	2340	2600	2880	3170	3470	3790	4110	4430	4750
M7TH-0036-IAV	ARE48C5E-IAV		2110	2340	2600	2880	3170	3470	3790	4110	4430	4750
M7EH-H041-IAA	ARE48C5E-IAA		2000	2300	2610	2930	3270	3610	3960			
M7EH-H041-IAV	ARE48C5E-IAV		2000	2300	2610	2930	3270	3610	3960			
M7EH-0037-IAA	ARE48C5E-IAA		2070	2370	2680	2990	3320	3650	3980	4310	4640	4960
M7PH-0038-IAA	ARE48C5E-IAA		2070	2370	2680	2990	3320	3650	3980	4310	4640	4960
M7EH-0041-IAA	ARE54C5E-IAA		2300	2630	2970	3320	3670	4020	4370	4710	5030	5340
M7PH-0042-IAA	ARE54C5E-IAA		2300	2630	2970	3320	3670	4020	4370	4710	5030	5340
M7EH-H046-IAA	ARE54C5E-IAA		2260	2590	2940	3300	3660	4030	4400			
M7EH-H046-IAV	ARE54C5E-IAV		2260	2590	2940	3300	3660	4030	4400			
M7EH-H044-IAA	RRT62C1E-IAA	2110	2360	2650	2960	3310	3670	4040	4420			
M7EH-H044-IAV	RRT62C1E-IAV	2110	2360	2650	2960	3310	3670	4040	4420			
M7EH-H053-CAA	RRT64C1E-CAA		2700	3030	3380	3760	4150	4560	4980			
M7EH-H053-CAV	RRT64C1E-CAV		2700	3030	3380	3760	4150	4560	4980			
M7EH-H053-IAA	RRT64C1E-IAA		2700	3030	3380	3760	4150	4560	4980			
M7EH-H053-IAV	RRT64C1E-IAV		2700	3030	3380	3760	4150	4560	4980			
M7BH-0060-CAA	RRT64C1E-CAA	2800	3160	3570	4020	4500	5010	5550	6120	6700	7300	7910
M7BH-0060-CAV	RRT64C1E-CAV	2800	3160	3570	4020	4500	5010	5550	6120	6700	7300	7910
M7BH-0064-CAA	RRT73C1E-CAA	3040	3510	3990	4500	5040	5590	6170	6780	7400	8050	8710
M7BH-0064-CAV	RRT73C1E-CAV	3040	3510	3990	4500	5040	5590	6170	6780	7400	8050	8710
M7BH-0075-CFA	RRT81C1E-PFA	3180	3550	4050	4660	5340	6080	6850	7650	8450	9240	9990
M7BH-0075-CFV	RRT81C1E-PFV	3180	3550	4050	4660	5340	6080	6850	7650	8450	9240	9990
M7BH-0086-CFA	RRT10K1E-PFA	3980	4520	5110	5730	6370	7050	7760	8490	9240	10000	10800
M7BH-0086-CFV	RRT10K1E-PFV	3980	4520	5110	5730	6370	7050	7760	8490	9240	10000	10800

Capacities rated at 65°F return gas (40° return gas for capacities in **bold**), 5°F subcooling

R-513A Condensate Base HT

Copevap welded air-cooled condensing units

Model	Compressor	-5	0	5	10	15	20	25	30	35	40	45
100° Ambient												
M7TH-0012-IAA	ARE13C4E-IAA	639	728	824	928	1040	1160	1290	1430	1590	1750	
M7PH-0012-IAA	ARE13C4E-IAA	646	736	834	940	1060	1180	1310	1460	1620	1790	
M7EH-H016-IAA	ARE17C4E-IAA	773	877	989	1110	1240	1390	1540				
M7TH-0015-IAA	ARE17C4E-IAA	797	901	1010	1130	1260	1400	1550	1710	1890	2070	
M7PH-0015-IAA	ARE17C4E-IAA	806	912	1030	1150	1280	1430	1580	1750	1920	2110	
M7EH-H022-IAA	ARE25C4E-IAA	1060	1190	1340	1500	1670	1850	2050				
M7TH-0020-IAA	ARE25C4E-IAA	1090	1230	1370	1520	1690	1870	2070	2270	2490	2730	
M7EH-0020-IAA	ARE25C4E-IAA	1110	1240	1390	1550	1730	1910	2110	2330	2560	2800	
M7PH-0020-IAA	ARE25C4E-IAA	1110	1240	1390	1550	1730	1910	2110	2330	2560	2800	
M7TH-0023-IAA	ARE29C4E-IAA	1320	1450	1600	1770	1950	2150	2360	2580	2810	3050	
M7TH-0025-IAA	ARE34C4E-IAA	1320	1450	1600	1760	1950	2150	2370	2590	2830	3080	
M7TH-0025-IAV	ARE34C4E-IAV	1320	1450	1600	1760	1950	2150	2370	2590	2830	3080	
M7EH-H026-IAA	ARE29C4E-IAA	1300	1440	1590	1770	1960	2170	2390				
M7EH-0024-IAA	ARE29C4E-IAA	1340	1480	1630	1810	2000	2200	2420	2650	2890	3140	
M7PH-0024-IAA	ARE29C4E-IAA	1340	1480	1630	1810	2000	2200	2420	2650	2890	3140	
M7TH-0028-IAA	ARE35C5E-IAA	1420	1620	1830	2050	2290	2540	2790	3050	3320	3580	
M7EH-H032-IAA	ARE35C5E-IAA	1390	1590	1810	2040	2300	2560	2830				
M7EH-0029-IAA	ARE35C5E-IAA	1440	1640	1860	2100	2340	2600	2870	3140	3420	3700	
M7PH-0029-IAA	ARE35C5E-IAA	1440	1640	1860	2100	2340	2600	2870	3140	3420	3700	
M7TH-0036-IAA	ARE48C5E-IAA		2220	2440	2680	2940	3210	3490	3770			
M7TH-0036-IAV	ARE48C5E-IAV		2220	2440	2680	2940	3210	3490	3770			
M7EH-H041-IAA	ARE48C5E-IAA	1870	2140	2420	2710	3010	3320	3620				
M7EH-H041-IAV	ARE48C5E-IAV	1870	2140	2420	2710	3010	3320	3620				
M7EH-0037-IAA	ARE48C5E-IAA	1950	2220	2490	2780	3060	3350	3640	3930	4210		
M7PH-0038-IAA	ARE48C5E-IAA	1950	2220	2490	2780	3060	3350	3640	3930	4210		
M7EH-H044-IAA	RRT62C1E-IAA		2420	2700	3010	3340	3670	4020				
M7EH-H044-IAV	RRT62C1E-IAV		2420	2700	3010	3340	3670	4020				
M7EH-0041-IAA	ARE54C5E-IAA	2140	2440	2750	3070	3380	3690	3990	4280			
M7PH-0042-IAA	ARE54C5E-IAA	2140	2440	2750	3070	3380	3690	3990	4280			
M7EH-H046-IAA	ARE54C5E-IAA	2080	2390	2710	3040	3370	3700	4020				
M7EH-H046-IAV	ARE54C5E-IAV	2080	2390	2710	3040	3370	3700	4020				
M7EH-H053-CAA	RRT64C1E-CAA		2750	3070	3420	3780	4150	4530				
M7EH-H053-CAV	RRT64C1E-CAV		2750	3070	3420	3780	4150	4530				
M7EH-H053-IAA	RRT64C1E-IAA		2750	3070	3420	3780	4150	4530				
M7EH-H053-IAV	RRT64C1E-IAV		2750	3070	3420	3780	4150	4530				
M7BH-0060-CAA	RRT64C1E-CAA	2910	3290	3700	4140	4620	5120	5640	6190	6740	7310	
M7BH-0060-CAV	RRT64C1E-CAV	2910	3290	3700	4140	4620	5120	5640	6190	6740	7310	
M7BH-0064-CAA	RRT73C1E-CAA	3230	3680	4150	4650	5160	5690	6240	6810	7390	7990	
M7BH-0064-CAV	RRT73C1E-CAV	3230	3680	4150	4650	5160	5690	6240	6810	7390	7990	
M7BH-0075-CFA	RRT81C1E-PFA	3140	3570	4130	4770	5480	6230	7020	7810	8600	9360	
M7BH-0075-CFV	RRT81C1E-PFV	3140	3570	4130	4770	5480	6230	7020	7810	8600	9360	
M7BH-0086-CFA	RRT10K1E-PFA		4680	5260	5870	6510	7160	7840	8540	9250		
M7BH-0086-CFV	RRT10K1E-PFV		4680	5260	5870	6510	7160	7840	8540	9250		

Capacities rated at 40°F return gas (65° return gas for capacities in **bold**), 5°F subcooling

R-513A Condensate Base HT

Copevap welded air-cooled condensing units

Model	Compressor	-5	0	5	10	15	20	25	30	35	40	45
110° Ambient												
M7TH-0012-IAA	ARE13C4E-IAA		578	659	746	841	943	1050	1170	1300	1440	1590
M7PH-0012-IAA	ARE13C4E-IAA		584	666	756	852	957	1070	1190	1330	1470	1630
M7EH-H016-IAA	ARE17C4E-IAA		702	797	901	1010	1130	1260	1410			
M7TH-0015-IAA	ARE17C4E-IAA		724	821	924	1040	1160	1290	1430	1570	1730	1910
M7PH-0015-IAA	ARE17C4E-IAA		733	831	937	1050	1180	1310	1450	1610	1770	1950
M7EH-H022-IAA	ARE25C4E-IAA		962	1080	1210	1360	1510	1680	1870			
M7TH-0020-IAA	ARE25C4E-IAA			1110	1240	1380	1540	1700	1880	2070	2280	2500
M7EH-0020-IAA	ARE25C4E-IAA			1130	1270	1410	1570	1740	1930	2130	2340	2570
M7PH-0020-IAA	ARE25C4E-IAA			1130	1270	1410	1570	1740	1930	2130	2340	2570
M7EH-H026-IAA	ARE29C4E-IAA		1200	1320	1450	1610	1780	1960	2160			
M7TH-0023-IAA	ARE29C4E-IAA				1470	1620	1780	1960	2150	2350	2560	2780
M7TH-0025-IAA	ARE34C4E-IAA				1460	1610	1780	1960	2160	2370	2590	2820
M7TH-0025-IAV	ARE34C4E-IAV				1460	1610	1780	1960	2160	2370	2590	2820
M7EH-0024-IAA	ARE29C4E-IAA			1360	1500	1650	1830	2010	2210	2420	2640	2870
M7PH-0024-IAA	ARE29C4E-IAA			1360	1500	1650	1830	2010	2210	2420	2640	2870
M7TH-0028-IAA	ARE35C5E-IAA					1880	2100	2320	2550	2780		
M7EH-H032-IAA	ARE35C5E-IAA			1460	1660	1870	2100	2340	2580			
M7EH-0029-IAA	ARE35C5E-IAA				1710	1930	2150	2390	2630	2870	3120	
M7PH-0029-IAA	ARE35C5E-IAA				1710	1930	2150	2390	2630	2870	3120	
M7EH-H041-IAA	ARE48C5E-IAA				2230	2480	2740	3000	3270			
M7EH-H041-IAV	ARE48C5E-IAV				2230	2480	2740	3000	3270			
M7EH-0037-IAA	ARE48C5E-IAA						2790	3040				
M7PH-0038-IAA	ARE48C5E-IAA						2790	3040				
M7EH-H044-IAA	RRT62C1E-IAA				2450	2730	3020	3320	3640			
M7EH-H044-IAV	RRT62C1E-IAV				2450	2730	3020	3320	3640			
M7EH-H046-IAA	ARE54C5E-IAA					2770	3060	3340	3620			
M7EH-H046-IAV	ARE54C5E-IAV					2770	3060	3340	3620			
M7EH-H053-CAA	RRT64C1E-CAA					3080	3410					
M7EH-H053-CAV	RRT64C1E-CAV					3080	3410					
M7EH-H053-IAA	RRT64C1E-IAA					3080	3410					
M7EH-H053-IAV	RRT64C1E-IAV					3080	3410					
M7BH-0060-CAA	RRT64C1E-CAA			3000	3380	3790	4220	4680	5170	5670	6180	6710
M7BH-0060-CAV	RRT64C1E-CAV			3000	3380	3790	4220	4680	5170	5670	6180	6710
M7BH-0064-CAA	RRT73C1E-CAA				3790	4230	4690	5160	5650	6160	6670	
M7BH-0064-CAV	RRT73C1E-CAV				3790	4230	4690	5160	5650	6160	6670	
M7BH-0075-CFA	RRT81C1E-PFA			3160	3640	4230	4900	5630	6390	7180		
M7BH-0075-CFV	RRT81C1E-PFV			3160	3640	4230	4900	5630	6390	7180		
M7BH-0086-CFA	RRT10K1E-PFA				4820	5380	5970	6570				
M7BH-0086-CFV	RRT10K1E-PFV				4820	5380	5970	6570				

Capacities rated at 40°F return gas (65° return gas for capacities in **bold**), 5°F subcooling

R-134a

Copeland air-cooled dual fan condensing units

Model	Compressor	-25	-20	-15	-10	-5	0	5	10	15	20	25	30	35	40	45
90° Ambient																
M7RH-H062-CAA	RRT64C1E-CAA				2380	2680	3030	3440	3900	4400	4950	5540	6160	6810	7490	8190
M7RH-H062-CAV	RRT64C1E-CAV				2380	2680	3030	3440	3900	4400	4950	5540	6160	6810	7490	8190
M7RH-H067-CAA	RRT73C1E-CAA				2550	2900	3300	3740	4230	4770	5330	5930	6560	7220	7890	8580
M7RH-H067-CAV	RRT73C1E-CAV				2550	2900	3300	3740	4230	4770	5330	5930	6560	7220	7890	8580
M7RP-H069-CFA	RFT18C1E-PFA	1560	1940	2330	2740	3160	3600	4050	4530	5020	5530	6060	6610			
M7RH-H079-CFA	RRT81C1E-PFA				2760	3070	3510	4080	4730	5450	6210	7000	7790			
M7RH-H079-CFV	RRT81C1E-PFV				2760	3070	3510	4080	4730	5450	6210	7000	7790			
M7RH-H091-CFA	RRT10K1E-PFA				3260	3880	4500	5140	5790	6470	7180	7910	8680			
M7RH-H091-CFV	RRT10K1E-PFV				3260	3880	4500	5140	5790	6470	7180	7910	8680			
100° Ambient																
M7RH-H062-CAA	RRT64C1E-CAA					2470	2820	3210	3640	4120	4630	5170	5740	6340	6960	7590
M7RH-H062-CAV	RRT64C1E-CAV					2470	2820	3210	3640	4120	4630	5170	5740	6340	6960	7590
M7RH-H067-CAA	RRT73C1E-CAA					2730	3090	3500	3950	4440	4960	5510	6090	6700	7330	7970
M7RH-H067-CAV	RRT73C1E-CAV					2730	3090	3500	3950	4440	4960	5510	6090	6700	7330	7970
M7RP-H069-CFA	RFT18C1E-PFA	1350	1720	2100	2500	2900	3310	3740	4190	4640	5120	5610	6110			
M7RH-H079-CFA	RRT81C1E-PFA					2710	3070	3560	4160	4830	5560	6320	7100			
M7RH-H079-CFV	RRT81C1E-PFV					2710	3070	3560	4160	4830	5560	6320	7100			
M7RH-H091-CFA	RRT10K1E-PFA						4080	4680	5300	5920	6570	7240	7930			
M7RH-H091-CFV	RRT10K1E-PFV						4080	4680	5300	5920	6570	7240	7930			
110° Ambient																
M7RH-H062-CAA	RRT64C1E-CAA							2940	3360	3800	4270	4770	5290	5830	6390	6950
M7RH-H062-CAV	RRT64C1E-CAV							2940	3360	3800	4270	4770	5290	5830	6390	6950
M7RH-H067-CAA	RRT73C1E-CAA							3230	3650	4110	4600	5120	5670	6240	6830	7440
M7RH-H067-CAV	RRT73C1E-CAV							3230	3650	4110	4600	5120	5670	6240	6830	7440
M7RP-H069-CFA	RFT18C1E-PFA		1440	1820	2210	2600	3000	3410	3830	4270	4710	5170	5640			
M7RH-H079-CFA	RRT81C1E-PFA							3080	3610	4230	4910	5630	6390			
M7RH-H079-CFV	RRT81C1E-PFV							3080	3610	4230	4910	5630	6390			
M7RH-H091-CFA	RRT10K1E-PFA							4220	4790	5370	5960	6560	7190			
M7RH-H091-CFV	RRT10K1E-PFV							4220	4790	5370	5960	6560	7190			

Capacities rated at 40°F return gas (65° return gas for capacities in **bold**), 5°F subcooling

R-404A

Copeland air-cooled dual fan condensing units

Model	Compressor	-30	-25	-20	-15	-10	-5	0	5	10	15	20	25	30
90° Ambient														
M6RP-H068-CAA	RST45C1E-CAA		1530	1920	2300	2700	3520	3950	4400	4860	5350	5870	6400	
M6RP-H068-CAV	RST45C1E-CAV		1530	1920	2300	2700	3520	3950	4400	4860	5350	5870	6400	
M6RP-H080-CAA	RST55C1E-CAA		2400	2700	3060	3450	4360	4860	5400	5950	6530	7130	7740	
M6RP-H080-CAV	RST55C1E-CAV		2400	2700	3060	3450	4360	4860	5400	5950	6530	7130	7740	
M6RP-H098-CAV	RST64C1E-CAV		2780	3250	3740	4240	5320	5880	6470	7070	7700	8350	9010	
M6RP-H098-CFA	RST64C1E-CFA		2780	3250	3740	4240	5320	5880	6470	7070	7700	8350	9010	
M6RP-H102-CFV	RST70C1E-PFV		2850	3340	3850	4390	5530	6140	6770	7420	8100	8800	9520	
M6RP-H102-TAC	RST70C1E-TA5		2850	3340	3850	4390	5530	6140	6770	7420	8100	8800	9520	
M6RP-H114-CFV	RST80C1E-PFV		3300	3820	4390	4980	6270	6950	7660	8380	9130	9890	10700	
M6RP-H114-TAC	RST80C1E-TA5		3300	3820	4390	4980	6270	6950	7660	8380	9130	9890	10700	
M6RL-H129-CFA	RFT42C1E-PFA	2960	3460	4000	4580	5180	6450	7110	7780					
M6RL-H129-CFV	RFT42C1E-PFV	2960	3460	4000	4580	5180	6450	7110	7780					
M6RP-H126-CFV	RST97C1E-PFV		3800	4350	4940	5570	6910	7610	8330	9060	9790	10500	11200	
M6RP-H126-TAC	RST97C1E-TA5		3800	4350	4940	5570	6910	7610	8330	9060	9790	10500	11200	
100° Ambient														
M6RP-H068-CAA	RST45C1E-CAA		1320	1680	2050	2420	3170	3560	3960	4380	4810	5270	5740	6340
M6RP-H068-CAV	RST45C1E-CAV		1320	1680	2050	2420	3170	3560	3960	4380	4810	5270	5740	6340
M6RP-H080-CAA	RST55C1E-CAA		2110	2380	2690	3040	3840	4290	4770	5260	5780	6320	6870	6700
M6RP-H080-CAV	RST55C1E-CAV		2110	2380	2690	3040	3840	4290	4770	5260	5780	6320	6870	6700
M6RP-H098-CAV	RST64C1E-CAV		2470	2900	3350	3800	4760	5270	5780	6320	6870	7440	8030	
M6RP-H098-CFA	RST64C1E-CFA		2470	2900	3350	3800	4760	5270	5780	6320	6870	7440	8030	
M6RP-H102-CFV	RST70C1E-PFV		2460	2920	3390	3880	4920	5470	6030	6620	7220	7840	8480	
M6RP-H102-TAC	RST70C1E-TA5		2460	2920	3390	3880	4920	5470	6030	6620	7220	7840	8480	
M6RP-H114-CFV	RST80C1E-PFV		2880	3350	3850	4380	5530	6140	6770	7420	8090	8770	9470	
M6RP-H114-TAC	RST80C1E-TA5		2880	3350	3850	4380	5530	6140	6770	7420	8090	8770	9470	
M6RL-H129-CFA	RFT42C1E-PFA	2650	3100	3580	4090	4620	5730	6300	6880					
M6RL-H129-CFV	RFT42C1E-PFV	2650	3100	3580	4090	4620	5730	6300	6880					
M6RP-H126-CFV	RST97C1E-PFV		3320	3820	4360	4920	6130	6760	7390	8040	8690	9330	9970	
M6RP-H126-TAC	RST97C1E-TA5		3320	3820	4360	4920	6130	6760	7390	8040	8690	9330	9970	
110° Ambient														
M6RP-H068-CAA	RST45C1E-CAA		1080	1430	1770	2110	2790	3140	3500	3870	4250	4650	5070	
M6RP-H068-CAV	RST45C1E-CAV		1080	1430	1770	2110	2790	3140	3500	3870	4250	4650	5070	
M6RP-H080-CAA	RST55C1E-CAA		1820	2040	2310	2610	3330	3730	4160	4610	5080	5570	6070	
M6RP-H080-CAV	RST55C1E-CAV		1820	2040	2310	2610	3330	3730	4160	4610	5080	5570	6070	
M6RP-H098-CAV	RST64C1E-CAV		2120	2520	2920	3340	4190	4640	5100	5570	6060	6570	7080	
M6RP-H098-CFA	RST64C1E-CFA		2120	2520	2920	3340	4190	4640	5100	5570	6060	6570	7080	
M6RP-H102-CFV	RST70C1E-PFV		2020	2450	2890	3350	4300	4790	5300	5830	6370	6930	7510	
M6RP-H102-TAC	RST70C1E-TA5		2020	2450	2890	3350	4300	4790	5300	5830	6370	6930	7510	
M6RP-H114-CFV	RST80C1E-PFV		2490	2890	3330	3800	4820	5370	5930	6520	7120	7740	8370	
M6RP-H114-TAC	RST80C1E-TA5		2490	2890	3330	3800	4820	5370	5930	6520	7120	7740	8370	
M6RL-H129-CFA	RFT42C1E-PFA	2330	2730	3150	3600	4060	5020	5510	6010					
M6RL-H129-CFV	RFT42C1E-PFV	2330	2730	3150	3600	4060	5020	5510	6010					
M6RP-H126-CFV	RST97C1E-PFV		2820	3280	3770	4280	5370	5940	6520	7090	7670	8250	8820	
M6RP-H126-TAC	RST97C1E-TA5		2820	3280	3770	4280	5370	5940	6520	7090	7670	8250	8820	

Capacities rated at 40°F return gas, 5°F subcooling

R-407C

Copeland air-cooled dual fan condensing units

Model	Compressor	0	5	10	15	20	25	30
90° Ambient								
M6RP-H068-CAA	RST45C1E-CAA	2810	3230	3710	4250	4840	5490	6190
M6RP-H068-CAV	RST45C1E-CAV	2810	3230	3710	4250	4840	5490	6190
M6RP-H080-CAA	RST55C1E-CAA	3310	3820	4370	4970	5600	6280	7010
M6RP-H080-CAV	RST55C1E-CAV	3310	3820	4370	4970	5600	6280	7010
M6RP-H102-CFV	RST70C1E-PFV	4440	5110	5810	6540	7310	8120	8980
M6RP-H102-TAC	RST70C1E-TA5	4440	5110	5810	6540	7310	8120	8980
M6RP-H098-CAV	RST64C1E-CAV	4530	5210	5950	6740	7600	8520	9520
M6RP-H098-CFA	RST64C1E-CFA	4530	5210	5950	6740	7600	8520	9520
M6RP-H114-CFV	RST80C1E-PFV	5080	5830	6620	7430	8280	9170	10100
M6RP-H126-CFV	RST97C1E-PFV		6520	7380	8270	9200	10200	11100
100° Ambient								
M6RP-H068-CAA	RST45C1E-CAA		2900	3350	3840	4390	4990	5640
M6RP-H068-CAV	RST45C1E-CAV		2900	3350	3840	4390	4990	5640
M6RP-H080-CAA	RST55C1E-CAA		3470	3980	4520	5100	5720	6380
M6RP-H080-CAV	RST55C1E-CAV		3470	3980	4520	5100	5720	6380
M6RP-H102-CFV	RST70C1E-PFV		4650	5300	5970	6670	7410	8180
M6RP-H102-TAC	RST70C1E-TA5		4650	5300	5970	6670	7410	8180
M6RP-H098-CAV	RST64C1E-CAV		4740	5420	6150	6940	7780	8690
M6RP-H098-CFA	RST64C1E-CFA		4740	5420	6150	6940	7780	8690
M6RP-H114-CFV	RST80C1E-PFV			6020	6770	7540	8340	9180
M6RP-H126-CFV	RST97C1E-PFV			6710	7520	8350	9210	10100
110° Ambient								
M6RP-H068-CAA	RST45C1E-CAA			2990	3450	3950	4500	5090
M6RP-H068-CAV	RST45C1E-CAV			2990	3450	3950	4500	5090
M6RP-H080-CAA	RST55C1E-CAA			3570	4060	4580	5140	5740
M6RP-H080-CAV	RST55C1E-CAV			3570	4060	4580	5140	5740
M6RP-H102-CFV	RST70C1E-PFV			4760	5370	6010	6660	7350
M6RP-H102-TAC	RST70C1E-TA5			4760	5370	6010	6660	7350
M6RP-H098-CAV	RST64C1E-CAV			4880	5550	6260	7030	7860
M6RP-H098-CFA	RST64C1E-CFA			4880	5550	6260	7030	7860
M6RP-H114-CFV	RST80C1E-PFV				6070	6760	7470	8200
M6RP-H126-CFV	RST97C1E-PFV				6720	7460	8210	

R-448A

Copeland air-cooled dual fan condensing units

Model	Compressor	-30	-25	-20	-15	-10	-5	0	5	10	15	20	25	30
90° Ambient														
M6RP-H068-CAA	RST45C1E-CAA					2180	2530	2920	3360	3850	4380	4960	5590	6270
M6RP-H068-CAV	RST45C1E-CAV					2180	2530	2920	3360	3850	4380	4960	5590	6270
M6RP-H080-CAA	RST55C1E-CAA					2790	3160	3610	4130	4710	5360	6060	6810	7610
M6RP-H080-CAV	RST55C1E-CAV					2790	3160	3610	4130	4710	5360	6060	6810	7610
M6RP-H098-CAV	RST64C1E-CAV					3660	4190	4750	5350	6010	6720	7490	8330	9230
M6RP-H098-CFA	RST64C1E-CFA					3660	4190	4750	5350	6010	6720	7490	8330	9230
M6RP-H102-CFV	RST70C1E-PFV					3730	4310	4920	5570	6250	6970	7720	8500	9310
M6RP-H102-TAC	RST70C1E-TA5					3730	4310	4920	5570	6250	6970	7720	8500	9310
M6RP-H114-CFV	RST80C1E-PFV					4250	4900	5600	6340	7120	7930	8770	9640	10500
M6RP-H114-TAC	RST80C1E-TA5					4250	4900	5600	6340	7120	7930	8770	9640	10500
M6RL-H129-CFA	RFT42C1E-PFA	2650	2930	3340	3840	4420	5050	5740	6450	7180				
M6RL-H129-CFV	RFT42C1E-PFV	2650	2930	3340	3840	4420	5050	5740	6450	7180				
M6RP-H126-CFV	RST97C1E-PFV					4780	5480	6220	7000	7810	8640	9490	10300	11200
M6RP-H126-TAC	RST97C1E-TA5					4780	5480	6220	7000	7810	8640	9490	10300	11200
100° Ambient														
M6RP-H068-CAA	RST45C1E-CAA					2280	2640	3040	3480	3960	4490	5060	5680	
M6RP-H068-CAV	RST45C1E-CAV					2280	2640	3040	3480	3960	4490	5060	5680	
M6RP-H080-CAA	RST55C1E-CAA					2790	3190	3660	4200	4790	5440	6130	6880	
M6RP-H080-CAV	RST55C1E-CAV					2790	3190	3660	4200	4790	5440	6130	6880	
M6RP-H098-CAV	RST64C1E-CAV					3830	4340	4900	5500	6140	6850	7610	8430	
M6RP-H098-CFA	RST64C1E-CFA					3830	4340	4900	5500	6140	6850	7610	8430	
M6RP-H102-CFV	RST70C1E-PFV					3850	4420	5030	5670	6340	7030	7760	8500	
M6RP-H102-TAC	RST70C1E-TA5					3850	4420	5030	5670	6340	7030	7760	8500	
M6RP-H114-CFV	RST80C1E-PFV							5010	5700	6420	7180	7960	8770	9590
M6RP-H114-TAC	RST80C1E-TA5							5010	5700	6420	7180	7960	8770	9590
M6RL-H129-CFA	RFT42C1E-PFA		2890	3180	3570	4050	4610	5210	5860	6520				
M6RL-H129-CFV	RFT42C1E-PFV		2890	3180	3570	4050	4610	5210	5860	6520				
M6RP-H126-CFV	RST97C1E-PFV							5600	6330	7090	7860	8640	9420	10200
M6RP-H126-TAC	RST97C1E-TA5							5600	6330	7090	7860	8640	9420	10200
110° Ambient														
M6RP-H068-CAA	RST45C1E-CAA							2350	2710	3110	3550	4030	4550	5110
M6RP-H068-CAV	RST45C1E-CAV							2350	2710	3110	3550	4030	4550	5110
M6RP-H080-CAA	RST55C1E-CAA							2810	3240	3720	4270	4860	5510	6210
M6RP-H080-CAV	RST55C1E-CAV							2810	3240	3720	4270	4860	5510	6210
M6RP-H098-CAV	RST64C1E-CAV							4450	4990	5570	6200	6890	7630	
M6RP-H098-CFA	RST64C1E-CFA							4450	4990	5570	6200	6890	7630	
M6RP-H102-CFV	RST70C1E-PFV							4480	5080	5700	6340	7000	7680	
M6RP-H102-TAC	RST70C1E-TA5							4480	5080	5700	6340	7000	7680	
M6RP-H114-CFV	RST80C1E-PFV							5060	5730	6420	7140	7880		
M6RP-H114-TAC	RST80C1E-TA5							5060	5730	6420	7140	7880		
M6RL-H129-CFA	RFT42C1E-PFA				3410	3780	4220	4740	5290	5880				
M6RL-H129-CFV	RFT42C1E-PFV				3410	3780	4220	4740	5290	5880				
M6RP-H126-CFV	RST97C1E-PFV									6360	7070	7790		
M6RP-H126-TAC	RST97C1E-TA5									6360	7070	7790		

Capacities rated at 40°F return gas, 5°F subcooling

R-449A

Copeland dual fan condensing units

Model	Compressor	-30	-25	-20	-15	-10	-5	0	5	10	15	20	25	30
90° Ambient														
M6RP-H068-CAA	RST45C1E-CAA					2180	2530	2930	3370	3850	4380	4960	5590	6270
M6RP-H068-CAV	RST45C1E-CAV					2180	2530	2930	3370	3850	4380	4960	5590	6270
M6RP-H080-CAA	RST55C1E-CAA					2790	3160	3610	4130	4710	5360	6060	6810	7610
M6RP-H080-CAV	RST55C1E-CAV					2790	3160	3610	4130	4710	5360	6060	6810	7610
M6RP-H098-CAV	RST64C1E-CAV					3670	4190	4750	5360	6010	6720	7500	8330	9230
M6RP-H098-CFA	RST64C1E-CFA					3670	4190	4750	5360	6010	6720	7500	8330	9230
M6RP-H102-CFV	RST70C1E-PFV					3730	4310	4920	5570	6260	6980	7720	8510	9310
M6RP-H102-TAC	RST70C1E-TA5					3730	4310	4920	5570	6260	6980	7720	8510	9310
M6RP-H114-CFV	RST80C1E-PFV					4250	4900	5600	6340	7120	7930	8770	9640	10500
M6RP-H114-TAC	RST80C1E-TA5					4250	4900	5600	6340	7120	7930	8770	9640	10500
M6RL-H129-CFA	RFT42C1E-PFA	2650	2930	3340	3840	4420	5060	5740	6450	7180				
M6RL-H129-CFV	RFT42C1E-PFV	2650	2930	3340	3840	4420	5060	5740	6450	7180				
M6RP-H126-CFV	RST97C1E-PFV					4780	5480	6220	7010	7810	8650	9490	10300	11200
M6RP-H126-TAC	RST97C1E-TA5					4780	5480	6220	7010	7810	8650	9490	10300	11200
100° Ambient														
M6RP-H068-CAA	RST45C1E-CAA					2280	2640	3040	3480	3960	4490	5070	5690	
M6RP-H068-CAV	RST45C1E-CAV					2280	2640	3040	3480	3960	4490	5070	5690	
M6RP-H080-CAA	RST55C1E-CAA					2790	3200	3660	4200	4790	5440	6140	6880	
M6RP-H080-CAV	RST55C1E-CAV					2790	3200	3660	4200	4790	5440	6140	6880	
M6RP-H098-CAV	RST64C1E-CAV					3830	4350	4900	5500	6150	6850	7620	8440	
M6RP-H098-CFA	RST64C1E-CFA					3830	4350	4900	5500	6150	6850	7620	8440	
M6RP-H102-CFV	RST70C1E-PFV					3850	4430	5040	5680	6340	7040	7760	8510	
M6RP-H102-TAC	RST70C1E-TA5					3850	4430	5040	5680	6340	7040	7760	8510	
M6RP-H114-CFV	RST80C1E-PFV							5010	5700	6420	7180	7960	8770	9600
M6RP-H114-TAC	RST80C1E-TA5							5010	5700	6420	7180	7960	8770	9600
M6RL-H129-CFA	RFT42C1E-PFA		2900	3180	3570	4060	4610	5220	5860	6530				
M6RL-H129-CFV	RFT42C1E-PFV		2900	3180	3570	4060	4610	5220	5860	6530				
M6RP-H126-CFV	RST97C1E-PFV							5610	6340	7090	7860	8640	9420	10200
M6RP-H126-TAC	RST97C1E-TA5							5610	6340	7090	7860	8640	9420	10200
110° Ambient														
M6RP-H068-CAA	RST45C1E-CAA							2350	2710	3110	3550	4020	4540	5110
M6RP-H068-CAV	RST45C1E-CAV							2350	2710	3110	3550	4020	4540	5110
M6RP-H080-CAA	RST55C1E-CAA							2810	3230	3720	4260	4860	5510	6210
M6RP-H080-CAV	RST55C1E-CAV							2810	3230	3720	4260	4860	5510	6210
M6RP-H098-CAV	RST64C1E-CAV							4450	4990	5570	6210	6900	7640	
M6RP-H098-CFA	RST64C1E-CFA							4450	4990	5570	6210	6900	7640	
M6RP-H102-CFV	RST70C1E-PFV							4480	5080	5700	6340	7010	7690	
M6RP-H102-TAC	RST70C1E-TA5							4480	5080	5700	6340	7010	7690	
M6RP-H114-CFV	RST80C1E-PFV							5060	5730	6420	7140	7890		
M6RP-H114-TAC	RST80C1E-TA5							5060	5730	6420	7140	7890		
M6RL-H129-CFA	RFT42C1E-PFA				3410	3780	4220	4740	5300	5880				
M6RL-H129-CFV	RFT42C1E-PFV				3410	3780	4220	4740	5300	5880				
M6RP-H126-CFV	RST97C1E-PFV									6370	7080	7800		
M6RP-H126-TAC	RST97C1E-TA5									6370	7080	7800		

Capacities rated at 40°F return gas, 5°F subcooling

R-450A

Copeland dual fan condensing units

Model	Compressor	-25	-20	-15	-10	-5	0	5	10	15	20	25	30	35	40	45
90° Ambient																
M7RH-H062-CAA	RRT64C1E-CAA				2100	2390	2730	3100	3510	3960	4440	4960	5510	6090	6700	7340
M7RH-H062-CAV	RRT64C1E-CAV				2100	2390	2730	3100	3510	3960	4440	4960	5510	6090	6700	7340
M7RP-H069-CFA	RFT18C1E-PFA	1430	1760	2110	2470	2850	3240	3650	4080	4540	5010	5500	6010			
M7RH-H067-CAA	RRT73C1E-CAA				2230	2630	3050	3490	3950	4450	4980	5540	6140	6770	7440	8150
M7RH-H067-CAV	RRT73C1E-CAV				2230	2630	3050	3490	3950	4450	4980	5540	6140	6770	7440	8150
M7RH-H079-CFA	RRT81C1E-PFA				2520	2930	3390	3890	4440	5030	5660	6320	7030	7760	8530	9330
M7RH-H079-CFV	RRT81C1E-PFV				2550	2830	3240	3760	4350	5010	5710	6430	7170	7900	8620	9300
M7RH-H091-CFA	RRT10K1E-PFA				3000	3490	4030	4600	5210	5860	6550	7260	8010	8780	9570	10400
M7RH-H091-CFV	RRT10K1E-PFV				3010	3570	4140	4720	5330	5960	6610	7300	8020	8780	9580	10400
100° Ambient																
M7RH-H062-CAA	RRT64C1E-CAA					2140	2460	2810	3200	3620	4080	4560	5080	5620	6200	6800
M7RH-H062-CAV	RRT64C1E-CAV					2140	2460	2810	3200	3620	4080	4560	5080	5620	6200	6800
M7RH-H067-CAA	RRT73C1E-CAA					2330	2730	3160	3610	4080	4580	5110	5670	6270	6900	7560
M7RH-H067-CAV	RRT73C1E-CAV					2330	2730	3160	3610	4080	4580	5110	5670	6270	6900	7560
M7RP-H069-CFA	RFT18C1E-PFA	1250	1580	1920	2270	2630	3010	3400	3800	4220	4660	5120	5590			
M7RH-H079-CFA	RRT81C1E-PFA						3070	3550	4060	4620	5210	5840	6500	7190	7910	8650
M7RH-H079-CFV	RRT81C1E-PFV						2860	3310	3860	4480	5140	5850	6570	7300	8010	8710
M7RH-H091-CFA	RRT10K1E-PFA						3680	4220	4800	5410	6050	6720	7430	8150	8890	9660
M7RH-H091-CFV	RRT10K1E-PFV						3770	4330	4900	5480	6090	6720	7380	8070	8800	9550
110° Ambient																
M7RH-H062-CAA	RRT64C1E-CAA							2540	2910	3310	3730	4190	4680	5190	5730	6300
M7RH-H062-CAV	RRT64C1E-CAV							2540	2910	3310	3730	4190	4680	5190	5730	6300
M7RH-H067-CAA	RRT73C1E-CAA							2860	3280	3730	4200	4690	5210	5770	6350	6960
M7RH-H067-CAV	RRT73C1E-CAV							2860	3280	3730	4200	4690	5210	5770	6350	6960
M7RP-H069-CFA	RFT18C1E-PFA		1340	1680	2030	2380	2750	3120	3510	3910	4320	4750	5200			
M7RH-H079-CFV	RRT81C1E-PFV							2900	3390	3950	4580	5260	5960	6670	7380	8070
M7RH-H079-CFA	RRT81C1E-PFA							3210	3690	4210	4770	5350	5970	6610	7280	7970
M7RH-H091-CFV	RRT10K1E-PFV							3930	4460	5000	5560	6140	6740	7360	8020	8700
M7RH-H091-CFA	RRT10K1E-PFA							3830	4370	4940	5540	6170	6830	7500	8200	8910

Capacities rated at 40°F return gas (65° return gas for capacities in **bold**), 5°F subcooling

R-513A

Copeland dual fan condensing units

Model	Compressor	-25	-20	-15	-10	-5	0	5	10	15	20	25	30	35	40	45
90° Ambient																
M7RH-H062-CAA	RRT64C1E-CAA				2550	2900	3300	3740	4220	4740	5310	5910	6550	7220	7920	8650
M7RH-H062-CAV	RRT64C1E-CAV				2550	2900	3300	3740	4220	4740	5310	5910	6550	7220	7920	8650
M7RH-H067-CAA	RRT73C1E-CAA				2710	3130	3570	4060	4580	5130	5710	6330	6970	7650	8340	9070
M7RH-H067-CAV	RRT73C1E-CAV				2710	3130	3570	4060	4580	5130	5710	6330	6970	7650	8340	9070
M7RP-H069-CFA	RFT18C1E-PFA	1870	2300	2750	3210	3700	4200	4720	5270	5830	6420	7030	7660			
M7RH-H079-CFA	RRT81C1E-PFA				2930	3150	3550	4100	4750	5480	6270	7090	7920			
M7RH-H079-CFV	RRT81C1E-PFV				2930	3150	3550	4100	4750	5480	6270	7090	7920			
M7RH-H091-CFA	RRT10K1E-PFA					3980	4550	5160	5810	6500	7230	8000	8800			
M7RH-H091-CFV	RRT10K1E-PFV					3980	4550	5160	5810	6500	7230	8000	8800			
100° Ambient																
M7RH-H062-CAA	RRT64C1E-CAA				2580	2980	3420	3880	4380	4910	5470	6060	6670	7310	7960	
M7RH-H062-CAV	RRT64C1E-CAV				2580	2980	3420	3880	4380	4910	5470	6060	6670	7310	7960	
M7RH-H067-CAA	RRT73C1E-CAA					3280	3730	4200	4720	5250	5820	6420	7030	7680	8340	
M7RH-H067-CAV	RRT73C1E-CAV					3280	3730	4200	4720	5250	5820	6420	7030	7680	8340	
M7RH-H079-CFA	RRT81C1E-PFA					3090	3560	4150	4840	5590	6380	7200				
M7RH-H079-CFV	RRT81C1E-PFV					3090	3560	4150	4840	5590	6380	7200				
M7RP-H069-CFA	RFT18C1E-PFA	1630	2060	2500	2950	3410	3890	4390	4900	5430	5980	6540	7130			
M7RH-H091-CFA	RRT10K1E-PFA						4110	4680	5290	5930	6600	7300	8030			
M7RH-H091-CFV	RRT10K1E-PFV						4110	4680	5290	5930	6600	7300	8030			
110° Ambient																
M7RH-H062-CAA	RRT64C1E-CAA							3080	3520	3980	4460	4970	5490	6030	6580	7140
M7RH-H062-CAV	RRT64C1E-CAV							3080	3520	3980	4460	4970	5490	6030	6580	7140
M7RH-H067-CAA	RRT73C1E-CAA							3390	3830	4290	4790	5310	5850	6420	7000	7610
M7RH-H067-CAV	RRT73C1E-CAV							3390	3830	4290	4790	5310	5850	6420	7000	7610
M7RH-H079-CFA	RRT81C1E-PFA							3080	3600	4220	4930	5690	6480			
M7RH-H079-CFV	RRT81C1E-PFV							3080	3600	4220	4930	5690	6480			
M7RP-H069-CFA	RFT18C1E-PFA		1760	2190	2630	3090	3550	4030	4520	5030	5550	6090	6640			
M7RH-H091-CFA	RRT10K1E-PFA							4230	4780	5370	5990	6620	7290			
M7RH-H091-CFV	RRT10K1E-PFV							4230	4780	5370	5990	6620	7290			

Capacities rated at 40°F return gas (65° return gas for capacities in **bold**), 5°F subcooling

Physical and Electrical Data

Copeland welded water-cooled condensing units

Model	Compressor Electrical	Length	Width	Height	Refrigerant Connections		Receiver Capacity (Lbs @ 90% Volume)							MCA	Max Fuse	Ship Weight
					Liquid	Suction	134a	404A	407C	448A	449A	450A	513A			
M6WF-0056-IAA	RST45C1E-IAA	18.3	12.87	9.99	3/8	1/2	1.5	1.3	1.4	1.4	1.4	1.5	1.5	13.1	20	0
M6WF-0056-IAV	RST45C1E-IAV	18.3	12.87	9.99	3/8	1/2	1.5	1.3	1.4	1.4	1.4	1.5	1.5	6.6	15	0
M6WF-0075-CAA	RST55C1E-CAA	24.23	16.1	11.85	3/8	1/2	1.5	1.3	1.4	1.4	1.4	1.5	1.5	18.8	30	0
M6WF-0075-CAV	RST55C1E-CAV	24.23	16.1	11.85	3/8	1/2	1.5	1.3	1.4	1.4	1.4	1.5	1.5	8.5	15	0
M6WF-0106-CAV	RST64C1E-CAV	24.23	16.1	11.85	3/8	1/2		4.9	5.3	5.1	5.1			11.3	20	0
M6WF-0125-CFV	RST70C1E-PFV	24.24	16.1	13.2	3/8	5/8		4.9	5.3	5.1	5.1			9.6	15	0
M6WF-0125-TAC	RST70C1E-TA5	24.24	16.1	13.2	3/8	5/8		4.9	5.3	5.1	5.1			6.9	15	0
M6WF-0126-CFV	RST80C1E-PFV	24.24	16.1	13.2	3/8	5/8		4.9	5.3	5.1	5.1			11.6	20	0
M6WF-0126-TAC	RST80C1E-TA5	24.24	16.1	13.2	3/8	5/8		4.9		5.1	5.1			7.1	15	0
M6WH-0025-IAA	ASE20C4E-IAA	18.18	13.2	9.42	1/4	3/8	1.5	1.3	1.4	1.4	1.4	1.5	1.5	7.5	15	0
M6WH-0036-IAA	ASE24C5E-IAA	18.18	13.21	9.92	1/4	3/8	1.5	1.3		1.4	1.4	1.5	1.5	7.8	15	0
M6WH-0050-CAA	ASE32C5E-CAA	18.18	12.97	9.92	1/4	3/8	1.5	1.3		1.4	1.4	1.5	1.5	9.4	15	0
M6WL-0025-IAA	AFE08C4E-IAA	24	16.41	9.73	1/4	3/8	1.5	1.3		1.4	1.4	1.5	1.5	5.5	15	0
M6WL-0033-IAA	AFE11C4E-IAA	24	16.41	9.73	1/4	3/8	1.5	1.3		1.4	1.4	1.5	1.5	5.9	15	0
M6WL-0040-IAA	AFE14C5E-IAA	24	16.41	10.23	1/4	3/8	1.5	1.3		1.4	1.4	1.5	1.5	8.2	15	0
M6WL-0051-IAA	AFE17C4E-IAA	24	16.41	10.18	1/4	3/8	1.5	1.3		1.4	1.4	1.5	1.5	10.4	15	0
M6WL-0067-CAA	RFT26C1E-CAA	24	16.41	11.87	3/8	1/2	1.5	1.3		1.4	1.4	1.5	1.5	14	20	0
M6WL-0075-CFA	RST64C1E-CFA	24	16.41	11.87	3/8	1/2	1.5	1.3	1.4	1.4	1.4	1.5	1.5	18.9	30	0
M6WL-0075-IAV	RST64C1E-IAV	24	16.41	10.46	3/8	1/2	1.5	1.3		1.4	1.4	1.5	1.5	11.8	20	0
M6WL-0105-CFV	RST80C1E-PFV	24	16.43	12.47	3/8	5/8		4.9	5.3	5.1	5.1			12.2	20	0
M6WL-0105-TAC	RST80C1E-TA5	24	16.43	12.47	3/8	5/8		4.9		5.1	5.1			7.7	15	0
M7WH-0026-IAA	ARE29C4E-IAA	18.18	13.2	9.42	1/4	3/8	1.5	1.3		1.4	1.4	1.5	1.5	4.9	15	0
M7WH-0033-IAA	ARE35C5E-IAA	18.18	13.21	9.92	1/4	3/8	1.5	1.3		1.4	1.4	1.5	1.5	8.6	15	0
M7WH-0040-IAA	ARE40C4E-IAA	18.18	13.21	9.92	1/4	3/8	1.5	1.3		1.4	1.4	1.5	1.5	8.8	15	0
M7WH-0049-IAV	ARE51C4E-IAV	18.18	13.21	9.92	1/4	3/8	1.5	1.3		1.4	1.4	1.5	1.5	6.1	15	0
M7WH-0050-IAA	RRT62C1E-IAA	18.55	13.44	9.68	3/8	1/2	1.5	1.3		1.4	1.4	1.5	1.5	11.9	20	0
M7WH-0050-IAV	RRT62C1E-IAV	18.55	13.44	9.68	3/8	1/2	1.5	1.3		1.4	1.4	1.5	1.5	5.4	15	0
M7WH-0056-IAA	RRT64C1E-IAA	18.3	12.87	9.99	3/8	1/2	1.5	1.3		1.4	1.4	1.5	1.5	13.8	20	0
M7WH-0056-IAV	RRT64C1E-IAV	18.3	12.87	9.99	3/8	1/2	1.5	1.3		1.4	1.4	1.5	1.5	8	15	0
M7WM-0075-CFA	RRT10K1E-PFA	24.24	16.1	13.2	3/8	5/8	1.5	1.3		1.4	1.4	1.5	1.5	17	30	0
M7WM-0075-CFV	RRT10K1E-PFV	24.24	16.1	13.2	3/8	5/8	1.5	1.3		1.4	1.4	1.5	1.5	10	15	0

R-134a

Copeland™ water-cooled condensing units

Model	Compressor	-5	0	5	10	15	20	25	30	35	40	45	0	25	45
BTU/H at 105° condensing, 75° water inlet - evaporator temp (°F)													Water flow (GPM) @evap temp (°F)		
M7WH-0026-IAA	ARE29C4E-IAA	1270	1430	1620	1840	2090	2360	2660	2990	3340	3710		0.2	0.3	0.5
M7WH-0033-IAA	ARE35C5E-IAA	1430	1640	1880	2150	2440	2760	3110	3490	3900	4340		0.2	0.4	0.6
M7WH-0040-IAA	ARE40C4E-IAA	1700	1950	2240	2550	2890	3270	3670	4100	4560	5040		0.2	0.5	0.7
M7WH-0049-IAV	ARE51C4E-IAV	2030	2330	2670	3040	3460	3920	4410	4940	5510	6120		0.3	0.6	0.9
M7WH-0050-IAV	RRT62C1E-IAV	2060	2350	2700	3100	3540	4030	4560	5140	5760	6420	7120	0.3	0.6	0.9
M7WH-0050-IAA	RRT62C1E-IAA	1990	2350	2730	3150	3590	4080	4610	5180	5800	6480	7210	0.3	0.6	1.0
M7WH-0056-IAV	RRT64C1E-IAV	2410	2780	3190	3660	4170	4740	5360	6020	6740	7510	8340	0.4	0.7	1.1
M7WH-0056-IAA	RRT64C1E-IAA	2500	2870	3300	3770	4300	4880	5510	6190	6930	7730	8580	0.4	0.8	1.1
M7WM-0075-CFA	RRT10K1E-PFA	3770	4410	5110	5870	6700	7580	8530	9520	10600	11700	12800	0.6	1.1	1.6
M7WM-0075-CFV	RRT10K1E-PFV	3860	4550	5270	6030	6830	7700	8630	9640	10700	11900	13300	0.6	1.1	1.7

Capacities rated at 40°F return gas, 5°F subcooling

R-404A

Copeland™ water-cooled condensing units

Model	Compressor	-30	-25	-20	-15	-10	-5	0	5	10	15	20	25	30	-25	0	25
BTU/H at 105° condensing, 75° water inlet - evaporator temp (°F)															Water flow (GPM) @evap temp (°F)		
M6WL-0025-IAA	AFE08C4E-IAA	613	700	797	902	1020	1140	1270	1410	1560					0.1	0.2	
M6WH-0025-IAA	ASE20C4E-IAA				1180	1420	1650	1870	2110	2350	2620	2910	3230			0.3	0.4
M6WL-0033-IAA	AFE11C4E-IAA	801	924	1060	1210	1380	1560	1750	1960	2180					0.1	0.2	
M6WH-0036-IAA	ASE24C5E-IAA				1270	1560	1820	2050	2290	2550	2850	3220	3680			0.3	0.5
M6WL-0040-IAA	AFE14C5E-IAA	1150	1330	1530	1750	1980	2240	2520	2820	3150					0.2	0.3	
M6WL-0051-IAA	AFE17C4E-IAA	1420	1630	1870	2130	2420	2730	3070	3430	3810					0.2	0.4	
M6WH-0050-CAA	ASE32C5E-CAA				2210	2390	2610	2900	3250	3650	4110	4620	5200			0.4	0.6
M6WF-0056-IAA	RST45C1E-IAA	1490	1770	2080	2430	2820	3230	3690	4180	4710	5270	5860	6500		0.3	0.5	0.8
M6WF-0056-IAV	RST45C1E-IAV	1310	1710	2110	2520	2940	3380	3840	4330	4850	5410	6010	6660		0.2	0.5	0.8
M6WF-0075-CAA	RST55C1E-CAA	1690	2100	2530	3000	3500	4040	4620	5230	5890	6580	7320	8110		0.3	0.6	1.0
M6WL-0067-CAA	RFT26C1E-CAA	1750	2040	2360	2710	3100	3520	3980	4500	5060					0.3	0.6	
M6WF-0075-CAV	RST55C1E-CAV	2150	2450	2800	3210	3680	4190	4760	5380	6040	6760	7520	8330		0.3	0.6	1.0
M6WL-0075-IAV	RST64C1E-IAV	2590	3040	3530	4080	4670	5310	5990	6730	7510	8340	9220	10100		0.4	0.8	1.3
M6WF-0106-CAV	RST64C1E-CAV	2470	2970	3510	4090	4720	5390	6110	6870	7680	8530	9420	10400		0.4	0.8	1.3
M6WL-0075-CFA	RST64C1E-CFA	2550	3050	3570	4120	4700	5330	5990	6710	7480	8310	9210	10200		0.4	0.8	1.3
M6WF-0125-CFV	RST70C1E-PFV	2490	2990	3550	4160	4830	5540	6300	7120	7990	8900	9870	10900		0.4	0.8	1.3
M6WF-0125-TAC	RST70C1E-TA5	2560	3080	3640	4230	4860	5530	6250	7020	7850	8740	9690	10700		0.4	0.8	1.3
M6WF-0126-TAC	RST80C1E-TA5	3050	3610	4240	4920	5650	6450	7310	8220	9190	10200	11300	12500		0.5	0.9	1.5
M6WL-0105-TAC	RST80C1E-TA5	3050	3610	4240	4920	5650	6450	7310	8220	9190	10200	11300	12500		0.5	0.9	1.5
M6WF-0126-CFV	RST80C1E-PFV	3080	3650	4280	4960	5710	6520	7380	8300	9280	10300	11400	12600		0.5	0.9	1.5
M6WL-0105-CFV	RST80C1E-PFV	3080	3650	4280	4960	5710	6520	7380	8300	9280	10300	11400	12600		0.5	0.9	1.5

Capacities rated at 40°F return gas, 5°F subcooling

R-407C

Copeland™ water-cooled condensing units

Model	Compressor	0	5	10	15	20	25	30	0	25	45
BTU/H at 105° condensing, 75° water inlet - evaporator temp (°F)									Water flow (GPM) @evap temp (°F)		
M7WH-0026-IAA	ARE29C4E-IAA	1270	1430	1620	1840	2090	2360	2660	0.2	0.3	0.5
M7WH-0033-IAA	ARE35C5E-IAA	1430	1640	1880	2150	2440	2760	3110	0.2	0.4	0.6
M7WH-0040-IAA	ARE40C4E-IAA	1700	1950	2240	2550	2890	3270	3670	0.2	0.5	0.7
M7WH-0049-IAV	ARE51C4E-IAV	2030	2330	2670	3040	3460	3920	4410	0.3	0.6	0.9
M7WH-0050-IAV	RRT62C1E-IAV	2350	2700	3100	3540	4030	4560	5140	0.3	0.6	0.9
M7WH-0050-IAA	RRT62C1E-IAA	2350	2730	3150	3590	4080	4610	5180	0.3	0.6	1.0
M7WH-0056-IAV	RRT64C1E-IAV	2780	3190	3660	4170	4740	5360	6020	0.4	0.7	1.1
M7WH-0056-IAA	RRT64C1E-IAA	2870	3300	3770	4300	4880	5510	6190	0.4	0.8	1.1
M7WM-0075-CFA	RRT10K1E-PFA	4410	5110	5870	6700	7580	8530	9520	0.6	1.1	1.6
M7WM-0075-CFV	RRT10K1E-PFV	4550	5270	6030	6830	7700	8630	9640	0.6	1.1	1.7

Capacities rated at 40°F return gas, 5°F subcooling

R-448A

Copeland™ water-cooled condensing units

Model	Compressor	-30	-25	-20	-15	-10	-5	0	5	10	15	20	25	30	-25	0	25
BTU/H at 105° condensing, 75° water inlet - evaporator temp (°F)														Water flow (GPM) at evaporator temp (°F)			
M6WL-0025-IAA	AFE08C4E-IAA	588	679	789	917	1060	1220	1400	1600	1810					0.1	0.2	
M6WL-0033-IAA	AFE11C4E-IAA	691	797	926	1080	1250	1440	1650	1880	2120					0.1	0.2	
M6WH-0025-IAA	ASE20C4E-IAA				983	1240	1480	1730	1980	2240	2520	2830	3180		0.2	0.4	
M6WH-0036-IAA	ASE24C5E-IAA				1280	1480	1710	1960	2240	2550	2880	3250	3650		0.2	0.4	
M6WL-0040-IAA	AFE14C5E-IAA	1020	1180	1350	1550	1770	2010	2280	2570	2900				0.2	0.3		
M6WH-0050-CAA	ASE32C5E-CAA				2270	2280	2460	2760	3170	3640	4160	4690	5200		0.3	0.6	
M6WL-0051-IAA	AFE17C4E-IAA	1260	1460	1700	1980	2290	2630	2980	3360	3750				0.2	0.4		
M6WF-0056-IAV	RST45C1E-IAV				2050	2420	2820	3250	3740	4270	4880	5550	6310		0.4	0.8	
M6WF-0056-IAA	RST45C1E-IAA				2150	2500	2890	3330	3830	4390	5030	5740	6540		0.4	0.8	
M6WF-0075-CAA	RST55C1E-CAA				2640	3070	3560	4100	4710	5410	6190	7060	8050		0.5	0.9	
M6WF-0075-CAV	RST55C1E-CAV				2760	3170	3670	4260	4930	5700	6560	7500	8530		0.5	1.0	
M6WL-0067-CAA	RFT26C1E-CAA	1470	1720	2040	2410	2840	3330	3870	4470	5130				0.3	0.6		
M6WL-0075-IAV	RST64C1E-IAV				3370	3890	4470	5100	5810	6610	7500	8510	9630		0.7	1.2	
M6WF-0125-CFV	RST70C1E-PFV				3630	4270	4960	5690	6480	7320	8220	9170	10200		0.7	1.2	
M6WL-0075-CFA	RST64C1E-CFA				3720	4300	4930	5630	6420	7300	8280	9390	10600		0.7	1.3	
M6WF-0106-CAV	RST64C1E-CAV				3520	4070	4720	5470	6310	7250	8270	9400	10600		0.7	1.3	
M6WF-0125-TAC	RST70C1E-TA5				3800	4450	5150	5900	6720	7600	8540	9550	10600		0.7	1.2	
M6WF-0126-CFV	RST80C1E-PFV				4330	5060	5830	6660	7560	8510	9540	10600	11800		0.8	1.4	
M6WL-0105-CFV	RST80C1E-PFV				4330	5060	5830	6660	7560	8510	9540	10600	11800		0.8	1.4	
M6WF-0126-TAC	RST80C1E-TA5				4420	5180	6000	6900	7860	8890	9990	11100	12400		0.8	1.4	
M6WL-0105-TAC	RST80C1E-TA5				4420	5180	6000	6900	7860	8890	9990	11100	12400		0.8	1.4	

Capacities rated at 40°F return gas, 5°F subcooling

R-449A

Copeland™ water-cooled condensing units

Model	Compressor	-30	-25	-20	-15	-10	-5	0	5	10	15	20	25	30	-25	0	25
BTU/H at 105° condensing, 75° water inlet - evaporator temp (°F)															Water flow (GPM) at evaporator temp (°F)		
M6WL-0025-IAA	AFE08C4E-IAA	588	679	789	917	1060	1230	1400	1600	1810					0.1	0.2	
M6WL-0033-IAA	AFE11C4E-IAA	691	798	927	1080	1250	1440	1650	1880	2120					0.1	0.2	
M6WH-0025-IAA	ASE20C4E-IAA				984	1240	1480	1730	1980	2240	2520	2840	3180		0.2	0.4	
M6WH-0036-IAA	ASE24C5E-IAA				1280	1480	1710	1960	2240	2550	2880	3250	3660		0.2	0.4	
M6WL-0040-IAA	AFE14C5E-IAA	1030	1180	1350	1550	1770	2010	2280	2580	2900					0.2	0.3	
M6WH-0050-CAA	ASE32C5E-CAA				2270	2290	2460	2760	3170	3650	4160	4690	5200		0.3	0.6	
M6WL-0051-IAA	AFE17C4E-IAA	1260	1460	1700	1980	2290	2630	2990	3360	3750					0.2	0.4	
M6WF-0056-IAV	RST45C1E-IAV				2050	2420	2820	3250	3740	4280	4880	5560	6310		0.4	0.8	
M6WF-0056-IAA	RST45C1E-IAA				2150	2500	2890	3330	3830	4390	5030	5740	6540		0.4	0.8	
M6WF-0075-CAA	RST55C1E-CAA				2640	3070	3560	4100	4720	5410	6190	7070	8050		0.5	0.9	
M6WF-0075-CAV	RST55C1E-CAV				2760	3170	3670	4260	4940	5710	6560	7510	8530		0.5	1.0	
M6WL-0067-CAA	RFT26C1E-CAA	1470	1720	2040	2410	2840	3330	3870	4470	5130					0.3	0.6	
M6WL-0075-IAV	RST64C1E-IAV				3370	3890	4470	5110	5820	6610	7510	8510	9630		0.7	1.2	
M6WF-0106-CAV	RST64C1E-CAV				3520	4070	4720	5470	6310	7250	8280	9400	10600		0.7	1.3	
M6WF-0125-CFV	RST70C1E-PFV				3630	4270	4960	5700	6480	7320	8220	9180	10200		0.7	1.2	
M6WL-0075-CFA	RST64C1E-CFA				3720	4300	4930	5640	6420	7300	8290	9390	10600		0.7	1.3	
M6WF-0125-TAC	RST70C1E-TA5				3800	4450	5150	5910	6720	7600	8540	9560	10600		0.7	1.2	
M6WF-0126-CFV	RST80C1E-PFV				4330	5060	5830	6670	7560	8510	9540	10600	11800		0.8	1.4	
M6WL-0105-CFV	RST80C1E-PFV				4330	5060	5830	6670	7560	8510	9540	10600	11800		0.8	1.4	
M6WF-0126-TAC	RST80C1E-TA5				4420	5180	6010	6900	7870	8900	9990	11200	12400		0.8	1.5	
M6WL-0105-TAC	RST80C1E-TA5				4420	5180	6010	6900	7870	8900	9990	11200	12400		0.8	1.5	

Capacities rated at 40°F return gas, 5°F subcooling

R-450A

Copeland™ water-cooled condensing units

Model	Compressor	-5	0	5	10	15	20	25	30	35	40	45	0	25	45
BTU/H at 105° condensing, 75° water inlet - evaporator temp (°F)													Water flow (GPM) at evaporator temp (°F)		
M7WH-0026-IAA	ARE29C4E-IAA		1100	1250	1410	1600	1820	2060	2320	2600	2900	3230	0.2	0.3	0.4
M7WH-0033-IAA	ARE35C5E-IAA		1240	1430	1640	1870	2130	2400	2710	3040	3400	3780	0.2	0.3	0.5
M7WH-0040-IAA	ARE40C4E-IAA		1480	1700	1950	2220	2520	2850	3200	3570	3970	4390	0.2	0.4	0.6
M7WH-0049-IAV	ARE51C4E-IAV		1760	2030	2320	2650	3010	3410	3840	4300	4800	5330	0.3	0.5	0.8
M7WH-0050-IAV	RRT62C1E-IAV	1830	2100	2410	2760	3150	3590	4060	4580	5130	5720	6340	0.3	0.6	0.8
M7WH-0050-IAA	RRT62C1E-IAA	1780	2090	2430	2800	3200	3630	4100	4610	5170	5770	6430	0.3	0.6	0.9
M7WH-0056-IAV	RRT64C1E-IAV	2150	2470	2840	3260	3720	4220	4770	5370	6010	6690	7430	0.4	0.7	1.0
M7WH-0056-IAA	RRT64C1E-IAA	2230	2560	2940	3360	3830	4340	4910	5520	6180	6880	7640	0.4	0.7	1.0
M7WM-0075-CFA	RRT10K1E-PFA	3350	3920	4550	5230	5970	6760	7590	8480	9420	10400	11400	0.5	1.0	1.4
M7WM-0075-CFV	RRT10K1E-PFV	3440	4060	4700	5370	6090	6860	7690	8580	9570	10600	11800	0.6	1.0	1.5

Capacities rated at 40°F return gas, 5°F subcooling

R-513A

Copeland™ water-cooled condensing units

Model	Compressor	-5	0	5	10	15	20	25	30	35	40	45	0	25	45
BTU/H at 105° condensing, 75° water inlet - evaporator temp (°F)													Water flow (GPM) at evaporator temp (°F)		
M7WH-0026-IAA	ARE29C4E-IAA		1420	1590	1780	2000	2240	2510	2810	3140	3480	3860	0.2	0.3	0.5
M7WH-0033-IAA	ARE35C5E-IAA		1550	1780	2040	2330	2650	2990	3350	3740	4160	4600	0.2	0.4	0.6
M7WH-0040-IAA	ARE40C4E-IAA		1910	2170	2450	2760	3110	3480	3880	4300	4760	5240	0.3	0.5	0.7
M7WH-0049-IAV	ARE51C4E-IAV		2390	2710	3070	3460	3900	4370	4890	5450	6040	6680	0.4	0.6	0.9
M7WH-0050-IAV	RRT62C1E-IAV	2260	2570	2930	3350	3820	4330	4890	5500	6150	6840	7570	0.4	0.7	1.0
M7WH-0050-IAA	RRT62C1E-IAA	2100	2510	2940	3390	3870	4380	4930	5530	6180	6880	7640	0.4	0.7	1.0
M7WH-0056-IAV	RRT64C1E-IAV	2650	3030	3470	3960	4500	5100	5740	6450	7200	8000	8860	0.5	0.8	1.2
M7WH-0056-IAA	RRT64C1E-IAA	2630	3070	3540	4060	4620	5230	5890	6610	7380	8200	9090	0.4	0.8	1.2
M7WM-0075-CFA	RRT10K1E-PFA	3920	4540	5230	5980	6800	7690	8660	9710	10800	12100	13400	0.7	1.2	1.7
M7WM-0075-CFV	RRT10K1E-PFV	4030	4680	5390	6160	7010	7920	8920	10000	11200	12400	13800	0.7	1.2	1.7

Capacities rated at 40°F return gas, 5°F subcooling

Copeland to Copeland Cross Reference

Old Model	Compressor Model	Length	Width	Height	Liquid Conn.	Suction Conn.	MCA	Old Rated Capacities			
								LT_134A	LT_404A	MT_134A	MT_404A
F3AH-B100-CAV-072	RST64C1-CAV-198	24.30	17.20	13.10	3/8	5/8	12.4				
F3AH-B100-CFA-020	RST64C1-CFA-198	24.30	17.10	13.10	3/8	5/8	20.3				
F3AH-B105-CFV-020	RST70C1-PFV-199	24.00	18.30	16.20	3/8	5/8	11				
F3AH-B105-TAC-020	RST70C1-TA5-199	24.00	18.30	16.20	3/8	5/8	7.5				
F3AH-N100-CAV-199	RST64C1-CAV-198						9.1				
F3AH-N100-CFA-199	RST64C1-CFA-198						18.3				
F3AH-N110-CFV-199	RST80C1-PFV-199						11.6				
F3AH-N120-CFV-199	RST97C1-PFV-199						12.5				
F3AH-N125-CFV-199	RST10K1-PFV-199						13.1				
F3AH-N125-TAC-199	RST10K1-TA5-199						8.3				
F3WH-B105-CFV-020	RST70C1-PFV-199	19.10	24.20	12.80	3/8	5/8	9.6				
F3WH-B105-TAC-020	RST70C1-TA5-199	24.23	19.07	12.76	3/8	5/8	6.1				
FBAH-C100-CFV-020	RRT10K1-PFV-199	24.00	17.47	13.06	3/8	5/8	11.2				
FEAF-0103-CAV-060	RST64C1E-CAV-108						13.3		3850		7700
FEAF-0103-CAV-140	RST64C1E-CAV-108	17.40	26.60	11.80	1/4	1/2	13.3		3850		7700
FEAF-A100-CFV-140	RST97C1E-PFV-150	24.00	27.00	15.98	1/2	1/2	13.7		5120		9780
FEAM-0108-CFA-160	RST80C1E-PFA-150	19.50	27.92	13.13	3/8	5/8	24.5		5020		9930
FEAM-0108-CFV-160	RST80C1E-PFV-150	19.97	27.73	12.04	3/8	5/8	12.8		5020		9930
FEAM-0108-CFV-161	RST80C1E-PFV-150						12.8		5020		9930
FEAM-A100-IAV-160	RST64C1E-IAV-108	19.50	27.70	11.90	3/8	5/8	12.5				
FEAM-A130-CFV-160	RST97C1E-PFV-150	19.50	27.70	12.00	3/8	5/8	13.7				10700
FJAF-0100-CAV-020	RST64C1E-CAV-108	24.00	17.04	13.38	3/8	5/8	12.4		4010		8080
FJAF-0100-CAV-040	RST64C1E-CAV-108	24.00	17.06	13.38	3/8	5/8	12.4		4010		8080
FJAF-0100-CAV-060	RST64C1E-CAV-108	24.00	16.90	13.10	3/8	1/2	12.4		4010		8080
FJAF-0100-CAV-061	RST64C1E-CAV-102	24.00	17.10	18.00	3/8	1/2	12.4		4010		8080
FJAF-0100-CAV-272	RST64C1E-CAV-108	24.00	17.06	13.02	3/8	5/8	12.4		4010		8080
FJAF-0100-IAV-140	RST64C1E-IAV-108	24.00	16.80	13.10	3/8	5/8	12.4		4010		8080
FJAF-0100-IAV-212	RST64C1E-IAV-108	24.00	16.90	13.10	3/8	5/8	12.4		4010		8080
FJAF-0106-CAV-017	RST64C1E-CAV-108	24.00	18.30	16.10	3/8	7/8	12.7		4090		8500
FJAF-0106-CAV-020	RST64C1E-CAV-108	24.00	18.30	16.10	3/8	7/8	12.7		4090		8500
FJAF-0106-CAV-022	RST64C1E-CAV-108						12.7		4090		8500
FJAF-0106-CAV-0H2	RST64C1E-CAV-108	30.50	25.60	22.60	3/8	7/8	12.7		4090		8500
FJAF-0106-CAV-0H3	RST64C1E-CAV-108	30.50	25.30	22.60	3/8	5/8	12.7		4090		8500
FJAF-0106-CAV-160	RST64C1E-CAV-108	24.00	18.33	16.10	3/8	1/2	12.7		4090		8500
FJAF-0106-CAV-208	RST64C1E-CAV-108						12.7		4090		8500
FJAF-0108-CFV-020	RST80C1E-PFV-150	24.00	17.30	13.00	3/8	5/8	12.8		4690		9230
FJAF-0108-CFV-021	RST80C1E-PFV-150	24.00	17.46	13.01	3/8	5/8	12.8		4690		9230
FJAF-0108-CFV-040	RST80C1E-PFV-150	24.00	16.01	13.01	3/8	5/8	12.8		4690		9230
FJAF-0108-CFV-052	RST80C1E-PFV-150	24.00	17.29	13.01	3/8	5/8	12.8		4690		9230
FJAF-0108-CFV-072	RST80C1E-PFV-150	24.00	17.50	13.01	3/8	5/8	12.8		4690		9230
FJAF-0108-CFV-075	RST80C1E-PFV-150	17.50	24.00	13.01	3/8	5/8	12.8		4690		9230
FJAF-0108-CFV-076	RST80C1E-PFV-150						12.8		4690		9230
FJAF-0108-CFV-121	RST80C1E-PFV-150	24.00	17.44	13.01	3/8	5/8	12.8		4690		9230
FJAF-0108-CFV-160	RST80C1E-PFV-150	24.00	17.60	13.00	3/8	1/2	12.8		4690		9230
FJAF-0108-CFV-212	RST80C1E-PFV-150	24.00	17.50	13.00	3/8	5/8	12.8		4690		9230
FJAF-0108-TAC-020	RST80C1E-TA5-150	24.00	17.28	13.01	3/8	5/8	8.3		4690		9230
FJAF-0108-TAC-052	RST80C1E-TA5-150	24.00	17.28	13.01	3/8	5/8	8.3		4690		9230
FJAF-0110-CFV-021	RST97C1E-PFV-150	24.00	17.27	13.06	3/8	5/8	13.7				
FJAF-0125-CFV-020	RST70C1E-PFV-150	24.00	18.33	16.08	3/8	5/8	11		4310		9330
FJAF-0125-CFV-072	RST70C1E-PFV-150	24.00	18.31	16.08	3/8	5/8	11		4310		9330
FJAF-0125-CFV-075	RST70C1E-PFV-150	24.00	18.97	16.08	3/8	5/8	11		4310		9330
FJAF-0125-CFV-077	RST70C1E-PFV-150	24.00	18.97	16.08	3/8	1/2	11		4310		9330
FJAF-0125-TAC-020	RST70C1E-TA5-150	24.00	18.33	16.08	3/8	5/8	8.3		4310		9330
FJAF-0125-TAC-060	RST70C1E-TA5-150	24.00	18.33	16.08	3/8	1/2	8.3		4310		9330
FJAF-0125-TAC-061	RST70C1E-TA5-150	24.00	18.30	16.10	3/8	1/2	8.3		4310		9330
FJAF-0125-TAC-072	RST70C1E-TA5-150	24.00	18.29	16.08	3/8	5/8	8.3		4310		9330
FJAF-0125-TAC-075	RST70C1E-TA5-150	24.00	18.89	16.08	3/8	5/8	8.3		4310		9330
FJAF-0125-TAC-076	RST70C1E-TA5-150	24.00	18.44	16.15	3/8	5/8	8.3		4310		9330
FJAF-0125-TAC-077	RST70C1E-TA5-150	24.00	18.89	16.08	3/8	1/2	8.3		4310		9330
FJAF-0126-CFV-020	RST80C1E-PFV-150	24.00	18.33	16.50	3/8	5/8	13		5030		10500
FJAF-0126-TAC-020	RST80C1E-TA5-150	24.00	18.33	16.15	3/8	5/8	8.5		5030		10500
FJAF-0126-TAC-060	RST80C1E-TA5-150	24.00	18.33	16.15	3/8	1/2	8.5		5030		10500

Recommended New Model	Available BOMs	Service Compressor	New L	New W	New H	New Liquid	New Suction	New MCA	New Rated Capacities				
									LT_134a	LT_404A	MT_134a	MT_404A	
Obsolete R22 Unit													
Obsolete R22 Unit													
Obsolete R22 Unit													
Obsolete R22 Unit													
Obsolete R22 Unit													
Obsolete R22 Unit													
Obsolete R22 Unit													
Obsolete R22 Unit													
Obsolete R22 Unit													
Obsolete R22 Unit													
Obsolete R22 Unit													
Obsolete R22 Unit													
Obsolete R22 Unit													
M6RP-H098-CAV-072	020, 072	RST64C1E-CAV-901	19.50	28.08	12.23	3/8	1/2	12.5		4240		8350	
M6RP-H098-CAV-072	020, 072	RST64C1E-CAV-901	19.50	28.08	12.23	3/8	1/2	12.5		4240		8350	
M6RP-H114-CFV-072	020, 072	RST80C1E-PFV-901	28.00	19.50	11.89	3/8	5/8	12.8		4980		9890	
Obsolete													
M6RP-H114-CFV-072	020, 072	RST80C1E-PFV-901	19.50	28.00	11.89	3/8	5/8	12.8		4980		9890	
M6RP-H114-CFV-072	020, 072	RST80C1E-PFV-901	19.50	28.00	11.89	3/8	5/8	12.8		4980		9890	
M6RP-H098-CAV-072	020, 072	RST64C1E-CAV-901	19.50	28.08	12.23	3/8	1/2	12.5		4240		8350	
M6RP-H126-CFV-072	020, 072	RST97C1E-PFV-901	28.00	19.50	11.89	3/8	5/8	13.7		5570		10500	
M6KP-0095-CFV-072	020, 072, 177, 179, 212, 272	RST70C1E-PFV-901	24.00	16.39	13.08	3/8	5/8	10.8		4100		8310	
M6KP-0095-CFV-072	020, 072, 177, 179, 212, 272	RST70C1E-PFV-901	24.00	16.39	13.08	3/8	5/8	10.8		4100		8310	
M6KP-0095-CFV-072	020, 072, 177, 179, 212, 272	RST70C1E-PFV-901	24.00	16.39	13.08	3/8	5/8	10.8		4100		8310	
M6KP-0095-CFV-072	020, 072, 177, 179, 212, 272	RST70C1E-PFV-901	24.00	16.39	13.08	3/8	5/8	10.8		4100		8310	
M6KP-0095-CFV-272	020, 072, 177, 179, 212, 272	RST70C1E-PFV-901	16.39	24.00	13.08	3/8	5/8	10.8		4100		8310	
M6KP-0092-CAV-272	020, 072, 177, 179, 212, 272	RST64C1E-CAV-901	24.00	16.39	13.08	3/8	3/8	12.4		4050		7750	
M6KP-0092-CAV-177	020, 072, 177, 179, 212, 272	RST64C1E-CAV-901	24.00	16.39	13.08	1/4	3/8	12.4		4050		7750	
M6KP-0102-CAV-072	020, 072, 177, 179	RST64C1E-CAV-901	24.00	18.30	16.16	3/8	3/8	12.7		4420		9150	
M6KP-0102-CAV-072	020, 072, 177, 179	RST64C1E-CAV-901	24.00	18.30	16.16	3/8	3/8	12.7		4420		9150	
M6KP-0102-CAV-072	020, 072, 177, 179	RST64C1E-CAV-901	24.00	18.30	16.16	3/8	3/8	12.7		4420		9150	
M6KP-0102-CAV-072	020, 072, 177, 179	RST64C1E-CAV-901	24.00	18.30	16.16	3/8	3/8	12.7		4420		9150	
M6KP-0102-CAV-072	020, 072, 177, 179	RST64C1E-CAV-901	24.00	18.42	16.16	3/8	1/2	12.7		4420		9150	
M6KP-0102-CAV-177	020, 072, 177, 179	RST64C1E-CAV-901	24.00	18.42	16.16	3/8	1/2	12.7		4420		9150	
M6KP-0102-CAV-179	020, 072, 177, 179	RST64C1E-CAV-901	24.00	18.30	16.16	1/4		12.7		4420		9150	
M6KP-0106-CFV-072	020, 072, 177, 179, 212, 272	RST80C1E-PFV-901	24.00	16.39	13.08	3/8	5/8	12.8		4690		9100	
M6KP-0106-CFV-072	020, 072, 177, 179, 212, 272	RST80C1E-PFV-901	24.00	16.39	13.08	3/8	5/8	12.8		4690		9100	
M6KP-0106-CFV-072	020, 072, 177, 179, 212, 272	RST80C1E-PFV-901	24.00	16.39	13.08	3/8	5/8	12.8		4690		9100	
M6KP-0106-CFV-072	020, 072, 177, 179, 212, 272	RST80C1E-PFV-901	24.00	16.39	13.08	3/8	5/8	12.8		4690		9100	
M6KP-0106-CFV-072	020, 072, 177, 179, 212, 272	RST80C1E-PFV-901	24.00	16.39	13.08	3/8	5/8	12.8		4690		9100	
M6KP-0106-CFV-072	020, 072, 177, 179, 212, 272	RST80C1E-PFV-901	24.00	16.39	13.08	3/8	5/8	12.8		4690		9100	
M6KP-0106-CFV-072	020, 072, 177, 179, 212, 272	RST80C1E-PFV-901	24.00	16.39	13.08	3/8	5/8	12.8		4690		9100	
M6KP-0106-CFV-177	020, 072, 177, 179, 212, 272	RST80C1E-PFV-901	24.00	16.39	13.08	3/8	1/2	12.8		4690		9100	
M6KP-0106-CFV-177	020, 072, 177, 179, 212, 272	RST80C1E-PFV-901	24.00	16.39	13.08	3/8	1/2	12.8		4690		9100	
M6KP-0106-CFV-177	020, 072, 177, 179, 212, 272	RST80C1E-PFV-901	24.00	16.39	13.08	3/8	1/2	12.8		4690		9100	
M6KP-0106-CFV-177	020, 072, 177, 179, 212, 272	RST80C1E-PFV-901	24.00	16.39	13.08	3/8	1/2	12.8		4690		9100	
M6KP-0106-TAC-072	020, 072	RST80C1E-TA5-901	24.00	16.41	13.08	3/8	1/2	8.3		4690		9100	
M6KP-0106-TAC-072	020, 072	RST80C1E-TA5-901	24.00	16.41	13.08	3/8	1/2	8.3		4690		9100	
M6KP-0116-CFV-072	020, 072, 177, 179, 212, 272	RST97C1E-PFV-901	24.00	16.39	13.08	3/8	5/8	13.7		5240		9620	
M6KP-0112-CFV-072	020, 072, 177, 179	RST70C1E-PFV-901	24.00	18.30	16.16	3/8	1/2	11		4580		9650	
M6KP-0112-CFV-072	020, 072, 177, 179	RST70C1E-PFV-901	24.00	18.30	16.16	3/8	1/2	11		4580		9650	
M6KP-0112-CFV-072	020, 072, 177, 179	RST70C1E-PFV-901	24.00	18.30	16.16	3/8	1/2	11		4580		9650	
M6KP-0112-CFV-072	020, 072, 177, 179	RST70C1E-PFV-901	24.00	18.30	16.16	3/8	1/2	11		4580		9650	
M6KP-0112-TAC-072	020, 072	RST70C1E-TA5-901	24.00	18.33	16.16	3/8	1/2	8.3		4580		9650	
M6KP-0112-TAC-072	020, 072	RST70C1E-TA5-901	24.00	18.33	16.16	3/8	1/2	8.3		4580		9650	
M6KP-0112-TAC-072	020, 072	RST70C1E-TA5-901	24.00	18.33	16.16	3/8	1/2	8.3		4580		9650	
M6KP-0112-TAC-072	020, 072	RST70C1E-TA5-901	24.00	18.33	16.16	3/8	1/2	8.3		4580		9650	
M6KP-0112-TAC-072	020, 072	RST70C1E-TA5-901	24.00	18.33	16.16	3/8	1/2	8.3		4580		9650	
M6KP-0112-TAC-072	020, 072	RST70C1E-TA5-901	24.00	18.33	16.16	3/8	1/2	8.3		4580		9650	
M6KP-0112-TAC-072	020, 072	RST70C1E-TA5-901	24.00	18.33	16.16	3/8	1/2	8.3		4580		9650	
M6KP-0112-TAC-072	020, 072	RST70C1E-TA5-901	24.00	18.33	16.16	3/8	1/2	8.3		4580		9650	
M6KP-0112-TAC-072	020, 072	RST70C1E-TA5-901	24.00	18.33	16.16	3/8	1/2	8.3		4580		9650	
M6KP-0127-CFV-072	020, 072, 177, 179	RST80C1E-PFV-901	24.00	18.30	16.16	3/8	1/2	13		5270		11000	
M6KP-0127-TAC-072	020, 072	RST80C1E-TA5-901	24.00	18.33	16.16	3/8	1/2	8.5		5270		11000	
M6KP-0127-TAC-072	020, 072	RST80C1E-TA5-901	24.00	18.33	16.16	3/8	1/2	8.5		5270		11000	

Copeland to Copeland Cross Reference

Old Model	Compressor Model	Length	Width	Height	Liquid Conn.	Suction Conn.	MCA	Old Rated Capacities			
								LT_134A	LT_404A	MT_134A	MT_404A
FJAF-0126-TAC-061	RST80C1E-TA5-150	24.00	18.33	16.15	3/8	1/2	8.5		5030		10500
FJAF-0130-CFV-072	RST97C1E-PFV-150	24.00	18.33	16.15	3/8	5/8	13.9		5720		11800
FJAF-0130-CFV-075	RST97C1E-PFV-150	24.00	18.91	16.15	3/8	5/8	13.9		5720		11800
FJAF-0130-CFV-076	RST97C1E-PFV-150	24.00	18.30	16.10	1/4	1/2	13.9		5720		11800
FJAF-0130-CFV-077	RST97C1E-PFV-150	24.00	18.90	16.10	3/8	1/2	13.9		5720		11800
FJAF-0130-CFV-0H2	RST97C1E-PFV-150	30.50	25.20	22.60	3/8	5/8	13.9		5720		11800
FJAF-0130-CFV-212	RST97C1E-PFV-150	24.00	18.30	16.10	3/8	5/8	13.9		5720		11800
FJAF-0130-CFV-272	RST97C1E-PFV-150	24.00	18.33	16.15	3/8	5/8	20		5720		11800
FJAF-0130-TAC-076	RST97C1E-TA5-150	24.00	24.00	16.20	3/8	1/2	8.9		5720		11800
FJAF-0130-TAC-077	RST97C1E-TA5-150	24.00	18.90	16.10	3/8	1/2	8.9		5720		11800
FJAF-0130-TAC-0H2	RST97C1E-TA5-150	30.50	25.20	22.60	3/8	5/8	8.9		5720		11800
FJAF-B100-CFV-021	RST97C1E-PFV-150	24.00	17.27	13.01	3/8	5/8	13.7		5230		10100
FJAF-B100-CFV-115	RST97C1E-PFV-150	24.00	17.18	13.06	3/8	5/8	13.7		5230		10100
FJAF-B100-CFV-121	RST97C1E-PFV-150	24.00	17.40	13.10	3/8	5/8	13.7		5230		10100
FJAF-B100-CFV-210	RST97C1E-PFV-150	24.00	16.71	13.01	3/8	5/8	13.7		5230		10100
FJAF-B100-CFV-212	RST97C1E-PFV-150	24.00	17.47	13.05	3/8	5/8	13.7		5230		10100
FJAF-B100-CFV-221	RST97C1E-PFV-150						13.7		5230		10100
FJAF-B100-CFV-240	RST97C1E-PFV-150	24.00	22.99	13.01	3/8	5/8	13.7		5230		10100
FJAF-B100-CFV-245	RST97C1E-PFV-150	24.00	17.41	13.01	3/8	5/8	13.7		5230		10100
FJAF-E100-CAV-020	RST64C1E-CAV-108	24.00	17.04	13.38	3/8	5/8	12.3				
FJAF-E100-CAV-040	RST64C1E-CAV-108	24.00	17.06	13.38	3/8	5/8	12.3				
FJAF-E100-CAV-041	RST64C1E-CAV-108						12.3				
FJAF-E108-CFV-020	RST80C1E-PFV-150	24.00	17.30	13.00	3/8	5/8	12.7		4690		9230
FJAF-E108-CFV-160	RST80C1E-PFV-150	24.00	17.60	13.00	3/8	1/2	12.7		4690		9230
FJAF-E110-CFV-021	RST97C1E-PFV-150	24.00	17.27	13.01	3/8	5/8	13.6		5230		10100
FJAF-E110-CFV-022	RST97C1E-PFV-150						13.6		5230		10100
FJAF-E110-CFV-040	RST97C1E-PFV-150	24.00	17.45	13.06	3/8	5/8	13.6		5230		10100
FJAF-E110-CFV-121	RST97C1E-PFV-150	24.00	17.40	13.10	3/8	5/8	13.6		5230		10100
FJAF-E110-CFV-212	RST97C1E-PFV-150	24.00	17.47	13.05	3/8	5/8	13.6		5230		10100
FJAL-0105-CFV-020	RFT42C1E-PFV-102	24.00	17.32	13.01	3/8	5/8	11.2		4960		
FJAL-0105-CFV-040	RFT42C1E-PFV-102	28.37	18.08	14.51	5/8	1 1/8	11.2		4960		
FJAL-0105-CFV-044	RFT42C1E-PFV-102	28.40	19.00	14.50	5/8	1 1/8	11.2		4960		
FJAL-0105-CFV-072	RFT42C1E-PFV-102	24.00	17.46	13.01	3/8	5/8	11.2		4960		
FJAL-0105-CFV-075	RFT42C1E-PFV-102	24.00	17.50	13.01	3/8	5/8	11.2		4960		
FJAL-0105-CFV-077	RFT42C1E-PFV-102	24.00	17.50	13.01	3/8	3/8	11.2		4960		
FJCL-B100-CFV-212	RST97C1E-PFV-150	23.56	13.33	11.86	1/4	5/8	13.5		4760		
FJCL-B100-CFV-215	RST97C1E-PFV-150	22.28	13.03	11.73	1/4	1/2	13.5		4760		
FJEF-0100-CAV-160	RST64C1E-CAV-102	24.00	16.30	13.58	3/8	1/2	12.4		3940		7900
FJEF-0100-CAV-260	RST64C1E-CAV-108	24.00	17.10	14.00	3/8	1/2	12.4		3940		7900
FJEF-0100-CFA-121	RST64C1E-CFA-102	24.00	16.30	13.70	1/2	3/8	20.3		3940		7900
FJEF-0108-CFV-060	RST80C1E-PFV-150	24.00	17.11	13.63	3/8	1/2	12.8		4650		9060
FJEF-0108-CFV-121	RST80C1E-PFV-150	24.00	17.11	13.63	3/8	1/2	12.8		4650		9060
FJEF-0108-CFV-212	RST80C1E-PFV-150	24.00	17.11	13.59	3/8	5/8	12.8		4650		9060
FJEL-0105-CFV-060	RFT42C1E-PFV-102	25.01	17.11	13.58	3/8	5/8	11.2		4920		
FJEL-0105-CFV-160	RFT42C1E-PFV-102	24.00	16.30	13.58	3/8	5/8	11.2		4920		
FJWF-C106-CAV-020	RST64C1E-CAV-108	24.20	17.20	10.70	3/8	7/8	11.3		4120		9470
FJWF-C125-CFV-020	RST70C1E-PFV-150	24.23	19.06	12.75	3/8	5/8	9.6		4160		9870
FJWF-C125-TAC-020	RST70C1E-TA5-150	24.23	19.06	12.75	3/8	5/8	6.9		4160		9870
FJWF-C125-TAC-060											
FJWF-C126-CFV-020	RST80C1E-PFV-150	24.23	17.79	12.75	3/8	5/8	11.6		4960		11400
FJWF-C126-CFV-276	RST80C1E-PFV-150	24.23	17.69	14.31	3/8	1/2	11.6				
FJWF-C126-TAC-020	RST80C1E-TA5-150	24.23	18.03	12.75	3/8	5/8	7.1		4960		11400
FJWF-C126-TAC-060											
FJWL-C105-CFV-020	RST80C1E-PFV-150	24.00	16.43	12.05	3/8	5/8	12.2		4960		
FJWL-C105-TAC-020	RST80C1E-TA5-150	24.00	16.55	12.00	3/8	5/8	7.7		4960		
FTAH-C100-CFA-121	RRT10K1E-PFA-150	24.00	17.28	13.01	3/8	5/8	19			7620	
FTAH-C100-CFV-020	RRT10K1E-PFV-150	24.00	17.29	13.01	3/8	5/8	11.2			7620	
FTAH-C100-CFV-117	RRT10K1E-PFV-150	24.00	16.50	13.01	1/4	1/2	11.2			7620	
FTAH-C100-CFV-212	RRT10K1E-PFV-150	24.00	17.46	13.01	3/8	5/8	11.2			7620	
FTAH-C100-CFV-240	RRT10K1E-PFV-150	24.00	16.87	13.01	3/8	5/8	11.2			7620	
M2CH-0024-IAA-121	ARE25C3E-IAA-103						6.6			1530	
M2CH-0040-IAA-060	ARE41C3E-IAA-103	17.38	13.57	9.79	1/4	3/8	10.2			2730	

Rcommended New Model	Available BOMs	Service Compressor	New L	New W	New H	New Liquid	New Suction	New MCA	New Rated Capacities			
									LT_134a	LT_404A	MT_134a	MT_404A
M6KP-0127-TAC-072	020, 072	RST80C1E-TA5-901	24.00	18.33	16.16	3/8	1/2	8.5		5270		11000
M6KP-0142-CFV-072	020, 072, 177, 179	RST97C1E-PFV-901	24.00	18.30	16.16	3/8	1/2	13.9		5920		11900
M6KP-0142-CFV-072	020, 072, 177, 179	RST97C1E-PFV-901	24.00	18.30	16.16	3/8	1/2	13.9		5920		11900
M6KP-0142-CFV-072	020, 072, 177, 179	RST97C1E-PFV-901	24.00	18.30	16.16	3/8	1/2	13.9		5920		11900
M6KP-0142-CFV-072	020, 072, 177, 179	RST97C1E-PFV-901	24.00	18.30	16.16	3/8	1/2	13.9		5920		11900
M6KP-0142-CFV-072	020, 072, 177, 179	RST97C1E-PFV-901	24.00	18.30	16.16	3/8	1/2	13.9		5920		11900
M6KP-0142-CFV-177	020, 072, 177, 179	RST97C1E-PFV-901	24.00	18.45	16.16	3/8	1/2	13.9		5920		11900
M6KP-0142-CFV-177	020, 072, 177, 179	RST97C1E-PFV-901	24.00	18.45	16.16	3/8	1/2	13.9		5920		11900
M6KP-0142-TAC-072	020, 072	RST97C1E-TA5-901	24.00	18.33	16.16	3/8	1/2	8.9		5920		11900
M6KP-0142-TAC-072	020, 072	RST97C1E-TA5-901	24.00	18.33	16.16	3/8	1/2	8.9		5920		11900
M6KP-0142-TAC-072	020, 072	RST97C1E-TA5-901	24.00	18.33	16.16	3/8	1/2	8.9		5920		11900
M6KP-0106-CFV-072	020, 072, 177, 179, 212, 272	RST80C1E-PFV-901	24.00	16.39	13.08	3/8	5/8	12.8		4690		9100
M6KP-0106-CFV-072	020, 072, 177, 179, 212, 272	RST80C1E-PFV-901	24.00	16.39	13.08	3/8	5/8	12.8		4690		9100
M6KP-0106-CFV-177	020, 072, 177, 179, 212, 272	RST80C1E-PFV-901	24.00	16.39	13.08	3/8	1/2	12.8		4690		9100
M6KP-0106-CFV-272	020, 072, 177, 179, 212, 272	RST80C1E-PFV-901	16.39	24.00	13.08	3/8	5/8	12.8		4690		9100
M6KP-0106-CFV-177	020, 072, 177, 179, 212, 272	RST80C1E-PFV-901	24.00	16.39	13.08	3/8	1/2	12.8		4690		9100
M6KP-0106-CFV-177	020, 072, 177, 179, 212, 272	RST80C1E-PFV-901	24.00	16.39	13.08	3/8	1/2	12.8		4690		9100
M6KP-0106-CFV-177	020, 072, 177, 179, 212, 272	RST80C1E-PFV-901	24.00	16.39	13.08	3/8	1/2	12.8		4690		9100
M6KP-0106-CFV-272	020, 072, 177, 179, 212, 272	RST80C1E-PFV-901	16.39	24.00	13.08	3/8	5/8	12.8		4690		9100
M6KP-0095-CFV-072	020, 072, 177, 179, 212, 272	RST70C1E-PFV-901	24.00	16.39	13.08	3/8	5/8	10.8		4100		8310
M6KP-0095-CFV-072	020, 072, 177, 179, 212, 272	RST70C1E-PFV-901	24.00	16.39	13.08	3/8	5/8	10.8		4100		8310
M6KP-0095-CFV-072	020, 072, 177, 179, 212, 272	RST70C1E-PFV-901	24.00	16.39	13.08	3/8	5/8	10.8		4100		8310
M6KP-0106-CFV-177	020, 072, 177, 179, 212, 272	RST80C1E-PFV-901	24.00	16.39	13.08	3/8	5/8	12.8		4690		9100
M6KP-0106-CFV-177	020, 072, 177, 179, 212, 272	RST80C1E-PFV-901	24.00	16.39	13.08	3/8	5/8	12.8		4690		9100
M6KP-0106-CFV-072	020, 072, 177, 179, 212, 272	RST80C1E-PFV-901	24.00	16.39	13.08	3/8	5/8	12.8		4690		9100
M6KP-0106-CFV-072	020, 072, 177, 179, 212, 272	RST80C1E-PFV-901	24.00	16.39	13.08	3/8	5/8	12.8		4690		9100
M6KP-0106-CFV-072	020, 072, 177, 179, 212, 272	RST80C1E-PFV-901	24.00	16.39	13.08	3/8	5/8	12.8		4690		9100
M6KP-0106-CFV-072	020, 072, 177, 179, 212, 272	RST80C1E-PFV-901	24.00	16.39	13.08	3/8	5/8	12.8		4690		9100
M6KP-0106-CFV-072	020, 072, 177, 179, 212, 272	RST80C1E-PFV-901	24.00	16.39	13.08	3/8	5/8	12.8		4690		9100
M6KP-0106-CFV-177	020, 072, 177, 179, 212, 272	RST80C1E-PFV-901	24.00	16.39	13.08	3/8	1/2	12.8		4690		9100
M6KL-0123-CFV-072	020, 072, 177, 179, 212, 272	RFT42C1E-PFV-901	24.00	16.39	13.08	3/8	3/8	11.2		4900		
M6KL-0123-CFV-072	020, 072, 177, 179, 212, 272	RFT42C1E-PFV-901	24.00	16.39	13.08	3/8	3/8	11.2		4900		
M6KL-0123-CFV-072	020, 072, 177, 179, 212, 272	RFT42C1E-PFV-901	24.00	16.39	13.08	3/8	3/8	11.2		4900		
M6KL-0123-CFV-072	020, 072, 177, 179, 212, 272	RFT42C1E-PFV-901	24.00	16.39	13.08	3/8	3/8	11.2		4900		
M6KL-0123-CFV-072	020, 072, 177, 179, 212, 272	RFT42C1E-PFV-901	24.00	16.39	13.08	3/8	3/8	11.2		4900		
Contact AE			18.83	14.34	12.29	3/8	1/2	12.6		4670		8880
Contact AE			18.83	14.34	12.29	3/8	1/2	12.6		4670		8880
M6BP-0096-CFV-177	177, 179, 212, 272	RST70C1E-PFV-901	24.00	16.29	13.64	3/8	1/2	10.8		4100		8310
M6BP-0096-CFV-177	177, 179, 212, 272	RST70C1E-PFV-901	24.00	16.29	13.64	3/8	1/2	10.8		4100		8310
M6BP-0092-CFA-177	177, 179, 212, 272	RST64C1E-CFA-901	24.00	16.29	13.64	3/8	3/8	20.3		4050		7750
M6BP-0106-CFV-272	177, 179, 212, 272	RST80C1E-PFV-901	24.00	16.42	13.64	3/8	1/2	12.8		4720		9120
M6BP-0106-CFV-177	177, 179, 212, 272	RST80C1E-PFV-901	24.00	16.29	13.64	3/8	1/2	12.8		4720		9120
M6BP-0106-CFV-177	177, 179, 212, 272	RST80C1E-PFV-901	24.00	16.29	13.64	3/8	1/2	12.8		4720		9120
M6BL-0123-CFV-272	177, 179, 212, 272	RFT42C1E-PFV-901	24.00	16.29	13.64	3/8	3/8	11.2		4900		
M6BL-0123-CFV-177	177, 179, 212, 272	RFT42C1E-PFV-901	24.00	16.29	13.64	3/8	3/8	11.2		4900		
M6WF-0106-CAV-020	020	RST64C1E-CAV-901	24.23	16.10	11.85	3/8	1/2	11.3				
M6WF-0125-CFV-020	020	RST70C1E-PFV-901	24.24	16.10	13.20	3/8	5/8	9.6				
M6WF-0125-TAC-020	020	RST70C1E-TA5-901	24.24	16.10	13.20	3/8	5/8	6.9				
M6WF-0125-TAC-020	020	RST70C1E-TA5-901	24.24	16.10	13.20	3/8	5/8	6.9				
M6WF-0126-CFV-020	020	RST80C1E-PFV-901	24.24	16.10	13.20	3/8	5/8	11.6				
M6WF-0126-CFV-020	020	RST80C1E-PFV-901	24.24	16.10	13.20	3/8	5/8	11.6				
M6WF-0126-TAC-020	020	RST80C1E-TA5-901	24.24	16.10	13.20	3/8	5/8	7.1				
M6WF-0126-TAC-020	020	RST80C1E-TA5-901	24.24	16.10	13.20	3/8	5/8	7.1				
M6WL-0105-CFV-020	020	RST80C1E-PFV-901	24.00	16.43	12.47	3/8	5/8	12.2				
M6WL-0105-TAC-020	020	RST80C1E-TA5-901	24.00	16.43	12.47	3/8	5/8	7.7				
M7KH-0086-CFA-177	020, 072, 177, 179, 212, 272	RRT10K1E-PFA-901	24.00	16.39	13.08	3/8	1/2	19			7610	
M7KH-0086-CFV-072	020, 072, 177, 179, 212, 272	RRT10K1E-PFV-901	24.00	16.39	13.08	3/8	5/8	11.2			7610	
M7KH-0086-CFV-179	020, 072, 177, 179, 212, 272	RRT10K1E-PFV-901	24.00	16.27	13.08	1/4	5/8	11.2			7610	
M7KH-0086-CFV-177	020, 072, 177, 179, 212, 272	RRT10K1E-PFV-901	24.00	16.39	13.08	3/8	1/2	11.2			7610	
M7KH-0086-CFV-272	020, 072, 177, 179, 212, 272	RRT10K1E-PFV-901	16.39	24.00	13.08	3/8	5/8	11.2			7610	
Obsolete												
M7QH-H031-IAA-272	212, 272	ARE35C5E-IAA-901	15.67	12.12	11.37	1/4	5/16	9.5				

Copeland to Copeland Cross Reference

Old Model	Compressor Model	Length	Width	Height	Liquid Conn.	Suction Conn.	MCA	Old Rated Capacities			
								LT_134A	LT_404A	MT_134A	MT_404A
M2CH-0068-IAA-121	RRT73C1E-IAA-102	11.66	21.00	11.75	1/4	3/8	15.5				5210
M2CH-0068-IAV-221	RRT73C1E-IAV-104						11.6				5210
M2CH-0074-CFV-140	RRT81C1E-PFV-150	17.83	13.23	11.91	1/4	5/8	9.3				6470
M2CH-0074-CFV-141	RRT81C1E-PFV-150	17.38	12.73	11.76	1/4	1/2	9.3				6470
M2CH-A054-IAA-144	RRT64C1E-IAA-104						15.5				4990
M2CH-H024-IAV-321	ARE25C4E-IAV-103						3.4				
M2CH-H047-CAA-121	ARE51C4E-CAA-103	19.80	11.00	9.60	1/4	3/8	14				3640
M2CH-H049-CAA-121	ARE51C4E-CAA-103	19.00	12.87	11.74	1/4	3/8	14				3690
M2CH-H049-CAA-122	ARE51C4E-CAA-103						14				3690
M2CL-0050-CFA-121	RFT18C1E-PFA-102						13	2390			
M2CL-A025-IAA-111	AFE10C3E-IAA-103	17.38	12.09	9.73	1/4	3/8	6.9	1070			
M2CL-A025-IAA-143	AFE10C3E-IAA-103	13.64	11.58	9.67	1/4	5/16	6.9	1070			
M2CL-A025-IAA-146	AFE10C3E-IAA-103	17.38	12.04	9.73	3/8	3/8	6.9	1070			
M2CL-A025-IAA-147	AFE10C3E-IAA-103						6.9	1070			
M2CL-A025-IAA-148	AFE10C3E-IAA-103						6.9	1070			
M2CL-A025-IAA-149	AFE10C3E-IAA-103						6.9	1070			
M2CL-A025-IAA-150	AFE10C3E-IAA-103						6.9	1070			
M2CL-B033-IAA-111	AFE12C3E-IAA-103	17.38	12.00	9.73	1/4	3/8	6.7	1240			
M2CL-B033-IAA-122	AFE12C3E-IAA-103	17.40	12.10	9.70	3/8	3/8	6.7	1240			
M2CL-B033-IAA-146	AFE12C3E-IAA-103	17.38	12.04	9.73	3/8	3/8	6.7	1240			
M2CL-B033-IAA-147	AFE12C3E-IAA-103						6.7	1240			
M2CL-B033-IAA-148	AFE12C3E-IAA-103						6.7	1240			
M2CL-B033-IAA-149	AFE12C3E-IAA-103						6.7	1240			
M2CL-B033-IAA-150	AFE12C3E-IAA-103						6.7	1240			
M2CL-H034-IAA-121	AFE12C4E-IAA-103	14.30	12.10	9.70	1/4	5/16	8.9				
M2CM-0054-IAA-123	RRT64C1E-IAA-104						14.6				4640
M2CM-0054-IAA-124	RRT64C1E-IAA-104						14.6				4640
M2EH-0024-SAA-102	ARE25C3E-SAA-103	10.52	16.00	14.25	1/4	5/16	6.3				1810
M2EH-0026-IAA-020	ARE27C3E-IAA-103	16.00	14.25	10.52	1/4	3/8	6.9				2080
M2EH-0026-IAA-021	ARE27C3E-IAA-103	16.00	14.25	10.52	1/4	3/8	6.9				2080
M2EH-0026-IAA-103	ARE27C3E-IAA-103	16.00	14.25	10.52	1/4	3/8	6.9				2080
M2EH-0026-IAA-111	ARE27C3E-IAA-103	16.00	14.25	10.52	1/4	3/8	6.9				2080
M2EH-0026-IAA-121	ARE27C3E-IAA-103	16.00	14.25	10.52	1/4	3/8	6.9				2080
M2EH-0070-CAA-121	RRT73C1E-CAA-102	24.00	17.00	13.60	1/4	3/8	15.8				5490
M2EH-0075-CFA-210	RRT81C1E-PFA-150	24.00	17.12	13.59	3/8	1/2	18.3				6430
M2EH-0075-CFA-212	RRT81C1E-PFA-150	24.00	17.12	13.58	3/8	5/8	18.3				6430
M2EH-0075-CFV-121	RRT81C1E-PFV-150	24.00	16.75	13.58	1/4	1/2	9.3				6430
M2EH-0075-CFV-140	RRT81C1E-PFV-150	24.00	17.11	13.58	3/8	3/8	9.3				6430
M2EH-0090-CFV-208	RRT10K1E-PFV-150	24.00	16.80	13.58	3/8	5/8	11.2				7610
M2EH-A033-IAA-121	ARE37C3E-IAA-103	10.52	14.25	16.00	1/4	3/8	9.9				2620
M2EH-A033-IAA-208	ARE37C3E-IAA-103	14.25	16.00	10.52	1/4	3/8	9.9				2620
M2EH-A033-IAA-212	ARE37C3E-IAA-103	16.00	14.30	10.60	1/4	3/8	9.9				2620
M2EH-A033-IAA-221	ARE37C3E-IAA-103	16.00	14.25	10.52	1/4	3/8	9.9				2620
M2EH-H047-CAA-212	ARE51C4E-CAA-103	16.00	15.10	11.80	1/4	5/16	14				
M2EL-0050-CFA-212	RFT18C1E-PFA-102	17.36	15.53	13.31	1/4	1/2	13	2360			
M2EL-B033-IAA-020	AFE12C3E-IAA-103	16.00	14.25	10.52	1/4	3/8	6.7	1240			
M2EM-0052-IAA-103	RRT64C1E-IAA-109	17.00	15.50	11.80	1/4	1/2	14.6				4540
M2EM-0052-IAA-144	RRT64C1E-IAA-104	16.90	15.60	11.80	3/8	1/2	14.6				4540
M2EM-0052-IAA-208	RRT64C1E-IAA-109	16.90	15.60	11.80	3/8	1/2	14.6				4540
M2EM-0052-IAA-212	RRT64C1E-IAA-109	16.90	15.60	11.80	1/4	1/2	14.6				4540
M2EM-0052-IAA-252	RRT64C1E-IAA-109	16.90	15.80	11.80	1/4	1/2	14.6				4540
M2EM-0052-IAV-144	RRT64C1E-IAV-104						8.6				4540
M2EM-0059-IAA-140	RRT64C1E-IAA-109	24.00	17.00	13.60	3/8	5/8	15.8				5130
M2EM-0059-IAV-102	RRT64C1E-IAV-104	24.00	17.00	13.60	3/8	5/8	9.2				5130
M2EM-0075-CFA-140	RRT10K1E-PFA-150	24.00	17.13	13.58	3/8	5/8	19				7160
M2EM-0075-CFA-212	RRT10K1E-PFA-150	24.00	16.80	13.58	3/8	5/8	19				7160
M2EM-0075-CFV-212	RRT10K1E-PFV-150	24.00	16.75	13.58	3/8	5/8	11.2				7160
M2EM-0075-CFV-215	RRT10K1E-PFV-150	24.00	16.75	13.58	3/8	1/2	11.2				7160
M2EM-0078-CFV-212	RRT10K1E-PFV-150	24.00	17.11	13.59	3/8	5/8	11.2				7460
M2EM-0078-CFV-260	RRT10K1E-PFV-150	24.89	17.11	13.70	3/8	5/8	11.2				7460
M2EM-A048-IAA-111	RRT62C1E-IAA-104	16.50	15.10	11.80	1/4	3/8	12.8				3740
M2EM-A048-IAA-121	RRT62C1E-IAA-104	16.60	15.50	11.80	1/4	3/8	12.8				3740

Rcommended New Model	Available BOMs	Service Compressor	New L	New W	New H	New Liquid	New Suction	New MCA	New Rated Capacities			
									LT_134a	LT_404A	MT_134a	MT_404A
M7JH-H038-IAV-179	028, 078, 177, 179	ARE48C5E-IAV-901	13.96	11.46	9.67	1/4		6.8				3450
M7JH-H038-IAV-179	028, 078, 177, 179	ARE48C5E-IAV-901	13.96	11.46	9.67	1/4		6.8				3450
M7ZH-H067-CFV-177	177, 179, 212, 272	RRT81C1E-PFV-901	17.31	13.81	12.29	3/8	1/2	8.7				6070
M7ZH-H067-CFV-179	177, 179, 212, 272	RRT81C1E-PFV-901	16.46	14.16	12.18	1/4		8.7				6070
M7GH-H057-CAA-179	177, 179, 212, 272	RRT64C1E-CAA-901	18.10	14.34	11.79	1/4		15.5	2190			5060
Obsolete												
M7TH-0036-IAA-108	108, 118, 177	ARE48C5E-IAA-901	19.04	8.47	10.53	1/4	5/16	10.7				3370
M7ZH-0041-IAA-177	177, 179, 212, 272	ARE48C5E-IAA-901	16.58	12.68	11.73	1/4	5/16	10.9				3600
M7ZH-0041-IAA-179	177, 179, 212, 272	ARE48C5E-IAA-901	16.18	13.32	11.73	1/4	5/16	10.9				3600
M7GP-H066-CFA-179	177, 179, 212, 272	RFT18C1E-PFA-901	18.10	14.34	11.79	1/4		13.8	2650			5710
M7JP-0029-IAA-179	028, 078, 177, 179	AFF10C1E-IAA-901	14.08	12.12	9.66	1/4	5/16	4.9	1230			2750
M7JP-0029-IAA-177	028, 078, 177, 179	AFF10C1E-IAA-901	14.37	12.11	11.38	1/4	5/16	4.9	1230			2750
M7JP-0029-IAA-179	028, 078, 177, 179	AFF10C1E-IAA-901	14.08	12.12	9.66	1/4	5/16	4.9	1230			2750
M7JP-0029-IAA-179	028, 078, 177, 179	AFF10C1E-IAA-901	14.08	12.12	9.66	1/4	5/16	4.9	1230			2750
M7JP-0029-IAA-179	028, 078, 177, 179	AFF10C1E-IAA-901	14.08	12.12	9.66	1/4	5/16	4.9	1230			2750
M7JP-0029-IAA-179	028, 078, 177, 179	AFF10C1E-IAA-901	14.08	12.12	9.66	1/4	5/16	4.9	1230			2750
M7JP-0029-IAA-179	028, 078, 177, 179	AFF10C1E-IAA-901	14.08	12.12	9.66	1/4	5/16	4.9	1230			2750
M7JP-0029-IAA-179	028, 078, 177, 179	AFF10C1E-IAA-901	14.08	12.12	9.66	1/4	5/16	4.9	1230			2750
M7JP-0029-IAA-179	028, 078, 177, 179	AFF10C1E-IAA-901	14.08	12.12	9.66	1/4	5/16	4.9	1230			2750
M7JP-0029-IAA-179	028, 078, 177, 179	AFF10C1E-IAA-901	14.08	12.12	9.66	1/4	5/16	4.9	1230			2750
M7JP-0029-IAA-179	028, 078, 177, 179	AFF10C1E-IAA-901	14.08	12.12	9.66	1/4	5/16	4.9	1230			2750
M7JP-0029-IAA-179	028, 078, 177, 179	AFF10C1E-IAA-901	14.08	12.12	9.66	1/4	5/16	4.9	1230			2750
M7JP-0029-IAA-179	028, 078, 177, 179	AFF10C1E-IAA-901	14.08	12.12	9.66	1/4	5/16	4.9	1230			2750
M7JP-0029-IAA-179	028, 078, 177, 179	AFF10C1E-IAA-901	14.08	12.12	9.66	1/4	5/16	4.9	1230			2750
M7JM-H036-IAA-179	177, 179, 212, 272	AFE12C4E-IAA-901	13.96	11.56	9.67	1/4		8.8	1560			
M7GH-H057-CAA-179	177, 179, 212, 272	RRT64C1E-CAA-901	18.10	14.34	11.79	1/4		15.5	2190			5060
M7GH-H057-CAA-179	177, 179, 212, 272	RRT64C1E-CAA-901	18.10	14.34	11.79	1/4		15.5	2190			5060
M7EH-0020-IAA-111	028, 103, 111	ARE25C4E-IAA-901	16.00	14.25	10.48	1/4	5/16	6.8				1970
M7EH-0020-IAA-028	028, 103, 111	ARE25C4E-IAA-901	16.00	14.25	10.43	1/4	3/8	6.8				1970
M7EH-0020-IAA-028	028, 103, 111	ARE25C4E-IAA-901	16.00	14.25	10.43	1/4	3/8	6.8				1970
M7EH-0020-IAA-103	028, 103, 111	ARE25C4E-IAA-901	16.00	14.25	10.52	1/4	5/16	6.8				1970
M7EH-0020-IAA-111	028, 103, 111	ARE25C4E-IAA-901	16.00	14.25	10.48	1/4	5/16	6.8				1970
M7EH-0020-IAA-103	028, 103, 111	ARE25C4E-IAA-901	16.00	14.25	10.52	1/4	5/16	6.8				1970
M7BH-0064-CAA-179	177, 179, 212, 272	RRT73C1E-CAA-901	24.00	16.69	13.64	1/4	3/8	15.8	2420			5890
M7BH-0075-CFA-177	177, 179, 212, 272	RRT81C1E-PFA-901	24.00	16.29	13.64	3/8	1/2	18.3				6720
M7BH-0075-CFA-177	177, 179, 212, 272	RRT81C1E-PFA-901	24.00	16.29	13.64	3/8	1/2	18.3				6720
M7BH-0075-CFV-179	177, 179, 212, 272	RRT81C1E-PFV-901	24.00	16.29	13.64	1/4	1/2	9.3				6720
M7BH-0075-CFV-177	177, 179, 212, 272	RRT81C1E-PFV-901	24.00	16.29	13.64	3/8	1/2	9.3				6720
M7BH-0086-CFV-179	177, 179, 212, 272	RRT10K1E-PFV-901	24.00	16.29	13.64	1/4	1/2	11.2				7610
M7EH-0024-IAA-103	028, 103, 111	ARE29C4E-IAA-901	16.00	14.25	10.52	1/4	5/16	5.5				2290
M7EH-0024-IAA-111	028, 103, 111	ARE29C4E-IAA-901	16.00	14.25	10.48	1/4	5/16	5.5				2290
M7EH-0024-IAA-103	028, 103, 111	ARE29C4E-IAA-901	16.00	14.25	10.52	1/4	5/16	5.5				2290
M7EH-0024-IAA-028	028, 103, 111	ARE29C4E-IAA-901	16.00	14.25	10.43	1/4	3/8	5.5				2290
M7EH-0041-IAA-103	103, 111, 212	ARE54C5E-IAA-901	16.00	14.25	10.52	1/4	5/16	12.3				3830
M7EP-H059-CFA-103	103, 111, 212	RFT18C1E-PFA-901	16.26	15.59	12.46	1/4	3/8	13	2470			5120
M7EP-0032-IAA-028	028, 103, 111	AFF10C1E-IAA-901	16.35	14.25	10.46	1/4	5/16	4.9	1330			3100
M7EH-H053-IAA-103	103, 111, 212	RRT64C1E-IAA-901	16.26	15.62	11.75	1/4	3/8	14.6				4410
M7EH-H053-IAA-111	103, 111, 212	RRT64C1E-IAA-901	16.26	15.66	11.75	1/4	1/2	14.6				4410
M7EH-H053-IAA-111	103, 111, 212	RRT64C1E-IAA-901	16.26	15.66	11.75	1/4	1/2	14.6				4410
M7EH-H053-IAA-103	103, 111, 212	RRT64C1E-IAA-901	16.26	15.62	11.75	1/4	3/8	14.6				4410
M7EH-H053-IAA-212	103, 111, 212	RRT64C1E-IAA-901	16.26	15.62	11.86	1/4	3/8	14.6				4410
M7EH-H053-IAV-111	103, 111, 212	RRT64C1E-IAV-901	16.26	15.66	11.75	1/4	1/2	14.6				4410
M7BH-0060-CAA-177	177, 179, 212, 272	RRT64C1E-CAA-901	24.00	16.69	13.64	3/8	3/8	15.8	2300			5290
M7BH-0060-CAV-179	177, 179, 212, 272	RRT64C1E-CAV-901	24.00	16.69	13.64	1/4	3/8	9.2	2300			5290
M7BH-0086-CFA-177	177, 179, 212, 272	RRT10K1E-PFA-901	24.00	16.29	13.64	3/8	1/2	19				7610
M7BH-0086-CFA-272	177, 179, 212, 272	RRT10K1E-PFA-901	24.00	16.42	13.64	3/8	1/2	19				7610
M7BH-0086-CFV-177	177, 179, 212, 272	RRT10K1E-PFV-901	24.00	16.29	13.64	3/8	1/2	11.2				7610
M7BH-0086-CFV-177	177, 179, 212, 272	RRT10K1E-PFV-901	24.00	16.29	13.64	3/8	1/2	11.2				7610
M7BH-0086-CFV-272	177, 179, 212, 272	RRT10K1E-PFV-901	24.00	16.42	13.64	3/8	1/2	11.2				7610
M7BH-0086-CFV-177	177, 179, 212, 272	RRT10K1E-PFV-901	24.00	16.29	13.64	3/8	1/2	11.2				7610
M7EH-H044-IAA-111	103, 111, 212	RRT62C1E-IAA-901	16.67	15.36	11.75	1/4	1/2	12.8				3890
M7EH-H044-IAA-111	103, 111, 212	RRT62C1E-IAA-901	16.67	15.36	11.75	1/4	1/2	12.8				3890

Copeland to Copeland Cross Reference

Old Model	Compressor Model	Length	Width	Height	Liquid Conn.	Suction Conn.	MCA	Old Rated Capacities			
								LT_134A	LT_404A	MT_134A	MT_404A
M2EM-A048-IAA-122	RRT62C1E-IAA-104	16.62	15.20	11.77	1/4	3/8	12.8				3740
M2EM-A048-IAA-140	RRT62C1E-IAA-104	16.50	15.10	11.80	1/4	3/8	12.8				3740
M2EM-A048-IAA-141	RRT62C1E-IAA-104	16.60	15.50	11.80	1/4	3/8	12.8				3740
M2EM-A048-IAA-144	RRT62C1E-IAA-104	16.60	15.50	11.80	1/4	3/8	12.8				3740
M2EM-A048-IAA-212	RRT62C1E-IAA-104	16.26	15.12	11.83	1/4	3/8	12.8				3740
M2EM-A048-IAA-215	RRT62C1E-IAA-104	16.10	15.10	11.80	1/4	3/8	12.8				3740
M2EM-A048-IAA-247	RRT62C1E-IAA-104	16.26	15.12	11.83	1/4	3/8	12.8				3740
M2EM-A048-IAV-103	RRT62C1E-IAV-104	16.00	15.43	11.77	1/4	3/8	6				3740
M2EM-A048-IAV-111	RRT62C1E-IAV-104						6				3740
M2EM-A048-IAV-208	RRT62C1E-IAV-104						6				3740
M2EM-A048-IAV-212	RRT62C1E-IAV-104	16.00	15.52	11.77	1/4	3/8	6				3740
M2EM-A049-IAA-221	RRT62C1E-IAA-104	16.20	15.20	12.60	1/4	3/8	12.8				
M2FF-0056-CFA-121	RFT18C1E-PFA-102	17.38	13.99	12.56	1/4	5/8	13.8	2580			5520
M2FF-0056-CFA-212	RFT18C1E-PFA-102	17.38	14.38	12.56	1/4	5/8	13.8	2580			5520
M2FF-0056-CFA-252	RFT18C1E-PFA-102	17.50	14.38	12.56	1/4	5/8	13.8	2580			5520
M2FF-E056-CFA-121	RFT18C1E-PFA-102	17.49	14.03	11.82	1/4	5/8	13.5	2580			5520
M2FF-E056-CFA-140	RFT18C1E-PFA-102	17.50	14.38	10.50	1/4	5/8	13.5	2580			5520
M2FF-E056-CFA-212	RFT18C1E-PFA-102	17.50	14.38	11.82	1/4	5/8	13.5	2580			5520
M2FF-E056-CFA-221	RFT18C1E-PFA-102						13.5	2580			5520
M2FH-0024-IAA-119	ARE25C3E-IAA-103	13.96	11.47	9.67	1/4	5/16	6.6				1810
M2FH-0024-SAA-102	ARE25C3E-SAA-103	13.80	11.05	9.67	1/4	5/16	6.3				1810
M2FH-0024-SAA-111	ARE25C3E-SAA-103						6.3				1810
M2FH-0024-SAA-140	ARE25C3E-SAA-103	13.82	11.20	9.67	3/8	3/8	6.3				1810
M2FH-0024-SAA-143	ARE25C3E-SAA-103	14.00	11.40	9.60	1/4	3/8	6.3				1810
M2FH-0025-IAA-018	ARE27C3E-IAA-103	13.67	11.48	9.60	1/4	5/16	6.9				1950
M2FH-0025-IAA-040	ARE27C3E-IAA-103	13.90	11.49	10.00	1/4	3/8	6.9				1950
M2FH-0025-IAA-121	ARE27C3E-IAA-103	21.90	11.50	9.60	1/4	3/8	6.9				1950
M2FH-0026-IAA-020	ARE27C3E-IAA-103	13.90	11.90	9.60	1/4	3/8	6.9				2080
M2FH-0026-IAA-072	ARE27C3E-IAA-103	14.50	12.00	11.40	1/4	3/8	6.9				2080
M2FH-0026-IAA-102	ARE27C3E-IAA-103	13.60	11.10	9.70	1/4	5/16	6.9				2080
M2FH-0026-IAA-103	ARE27C3E-IAA-103	13.80	11.50	9.70	1/4	3/8	6.9				2080
M2FH-0026-IAA-111	ARE27C3E-IAA-103	13.80	11.30	9.70	1/4	3/8	6.9				2080
M2FH-0026-IAA-122	ARE27C3E-IAA-103	13.80	11.80	9.70	1/4	3/8	6.9				2080
M2FH-0026-IAA-127	ARE27C3E-IAA-103	13.82	11.10	9.67	1/4	5/16	6.9				2080
M2FH-0026-IAA-128	ARE27C3E-IAA-103	13.82	11.10	9.67	1/4	5/16	6.9				2080
M2FH-0026-IAA-129	ARE27C3E-IAA-103	13.82	11.30	9.67	1/4	3/8	6.9				2080
M2FH-0026-IAA-130	ARE27C3E-IAA-103	13.80	11.30	9.70	1/4	3/8	6.9				2080
M2FH-0026-IAA-131	ARE27C3E-IAA-103	13.80	11.40	9.70	3/8	3/8	6.9				2080
M2FH-0026-IAA-141	ARE27C3E-IAA-103	13.80	11.21	9.60	1/4	5/16	6.9				2080
M2FH-0026-IAA-144	ARE27C3E-IAA-103	13.85	11.86	9.67	1/4	5/16	6.9				2080
M2FH-0033-IAA-121	ARE37C3E-IAA-103	13.90	11.40	9.70	3/8	3/8	9.7				2370
M2FH-0033-IAA-140	ARE37C3E-IAA-103	13.90	11.40	9.60	1/4	3/8	9.7				2370
M2FH-0033-IAV-140	ARE37C3E-IAV-103	13.80	11.80	9.70	1/4	5/16	4.8				2370
M2FH-0033-IAV-141	ARE37C3E-IAV-103						4.8				2370
M2FH-0039-IAA-0H2	ARE37C3E-IAA-103	24.50	20.96	18.60	1/4	1/2	10.6				2980
M2FH-0040-IAA-143	ARE41C3E-IAA-103	16.30	13.10	9.73	1/4	3/8	10.2				2870
M2FH-0040-IAA-160	ARE41C3E-IAA-103	16.60	13.40	9.60	3/8	3/8	10.2				2870
M2FH-0040-IAA-212	ARE41C3E-IAA-103	16.30	12.50	9.73	1/4	3/8	10.2				2870
M2FH-0040-IAV-160	ARE41C3E-IAV-103	16.80	12.80	9.90	3/8	3/8	5.5				2870
M2FH-0040-IAV-212	ARE41C3E-IAV-103	16.52	12.52	9.73	1/4	3/8	5.5				2870
M2FH-0050-IAA-127	ART62C1E-IAA-103	16.20	12.10	11.70	1/4	3/8	13.6				4230
M2FH-0050-IAA-128	ART62C1E-IAA-103	16.20	12.70	11.80	1/4	3/8	13.6				4230
M2FH-0074-CFA-140	RRT81C1E-PFA-150	17.50	13.99	11.82	1/4	1/2	18				6370
M2FH-0074-CFA-141	RRT81C1E-PFA-150	17.50	14.39	11.82	3/8	1/2	18				6370
M2FH-0074-CFA-144	RRT81C1E-PFA-150	22.03	15.25	16.63	1/4	5/8	18				6370
M2FH-0074-CFA-145	RRT81C1E-PFA-150	17.38	13.99	11.82	1/4	1/2	18				6370
M2FH-0074-CFA-212	RRT81C1E-PFA-150	17.50	14.39	11.92	1/4	5/8	18				6370
M2FH-0074-CFA-272	RRT81C1E-PFA-150	17.50	14.39	12.50	1/4	5/8	18				6370
M2FH-0074-CFV-144	RRT81C1E-PFV-150	19.77	15.25	16.52	1/4	5/8	9.1				6370
M2FH-0074-CFV-145	RRT81C1E-PFV-150	17.38	13.99	11.82	1/4	1/2	9.1				6370
M2FH-0074-CFV-160	RRT81C1E-PFV-150	17.38	14.38	11.96	3/8	5/8	9.1				6370
M2FH-0074-CFV-212	RRT81C1E-PFV-150	17.38	14.39	11.82	1/4	5/8	9.1				6370

Copeland to Copeland Cross Reference

Old Model	Compressor Model	Length	Width	Height	Liquid Conn.	Suction Conn.	MCA	Old Rated Capacities			
								LT_134A	LT_404A	MT_134A	MT_404A
M2FH-0074-CFV-272	RRT81C1E-PFV-150	17.50	14.39	12.50	1/4	5/8	9.1				6370
M2FH-0075-CFA-115	RRT81C1E-PFA-150	24.00	16.66	13.07	1/4	1/2	18.3				6420
M2FH-0075-CFA-212	RRT81C1E-PFA-150	24.00	17.33	13.07	3/8	5/8	18.3				6420
M2FH-0075-CFV-020	RRT81C1E-PFV-150	24.00	17.49	13.07	3/8	5/8	9.3				6420
M2FH-0075-CFV-115	RRT81C1E-PFV-150	24.00	16.66	13.07	1/4	1/2	9.3				6420
M2FH-0075-CFV-212	RRT81C1E-PFV-150	24.00	17.49	13.07	3/8	5/8	9.3				6420
M2FH-A025-IAA-140	ARE27C3E-IAA-103	13.90	11.48	9.67	1/4	5/16	7.1				2060
M2FH-A033-IAA-102	ARE37C3E-IAA-103	13.80	11.10	9.70	1/4	5/16	9.9				2620
M2FH-A033-IAA-103	ARE37C3E-IAA-103	13.80	11.50	9.70	1/4	3/8	9.9				2620
M2FH-A033-IAA-111	ARE37C3E-IAA-103	13.80	11.30	9.70	1/4	3/8	9.9				2620
M2FH-A033-IAA-122	ARE37C3E-IAA-103	13.80	11.40	9.70	1/4	3/8	9.9				2620
M2FH-A033-IAA-123	ARE37C3E-IAA-103	13.60	11.30	9.70	3/8	3/8	9.9				2620
M2FH-A033-IAA-126	ARE37C3E-IAA-103	13.85	12.05	9.67	1/4	3/8	9.9				2620
M2FH-A033-IAA-127	ARE37C3E-IAA-103	13.80	11.30	9.70	1/4	3/8	9.9				2620
M2FH-A033-IAA-128	ARE37C3E-IAA-103	14.00	11.30	9.60	1/4	5/16	9.9				2620
M2FH-A033-IAA-129	ARE37C3E-IAA-103	13.90	11.30	9.70	1/4	3/8	9.9				2620
M2FH-A033-IAA-140	ARE37C3E-IAA-103	13.82	11.48	9.67	1/4	5/16	9.9				2620
M2FH-A033-IAA-141	ARE37C3E-IAA-103	13.80	11.30	9.70	1/4	5/16	9.9				2620
M2FH-A033-IAA-144	ARE37C3E-IAA-103	13.85	11.94	9.67	1/4	5/16	9.9				2620
M2FH-A033-IAA-208	ARE37C3E-IAA-103	13.90	11.70	9.60	1/4	3/8	9.9				2620
M2FH-A033-IAA-212	ARE37C3E-IAA-103	13.90	11.90	9.60	1/4	3/8	9.9				2620
M2FH-A033-IAA-221	ARE37C3E-IAA-103	13.91	11.50	9.60	1/4	5/16	9.9				2620
M2FH-A033-IAA-222	ARE37C3E-IAA-103	13.80	11.80	9.70	1/4	3/8	9.9				2620
M2FH-A033-IAA-272	ARE37C3E-IAA-103	14.50	12.00	11.40	1/4	3/8	9.9				2620
M2FH-A033-IAA-340	ARE37C3E-IAA-103	13.80	12.80	9.70	1/4	3/8	9				2620
M2FH-A033-IAV-103	ARE37C3E-IAV-103	13.80	11.80	9.70	1/4	3/8	4.9				2620
M2FH-A033-IAV-111	ARE37C3E-IAV-103	13.80	11.80	9.70	1/4	3/8	4.9				2620
M2FH-A033-IAV-121	ARE37C3E-IAV-103	14.00	11.30	9.60	1/4	5/16	4.9				2620
M2FH-A033-IAV-126	ARE37C3E-IAV-103	13.85	12.04	9.67	1/4	3/8	4.9				2620
M2FH-A033-IAV-141	ARE37C3E-IAV-103	13.80	11.80	9.70	1/4	5/16	4.9				2620
M2FH-A033-IAV-208	ARE37C3E-IAV-103	13.80	11.80	9.70	1/4	3/8	4.9				2620
M2FH-A033-IAV-212	ARE37C3E-IAV-103	13.80	11.80	9.70	1/4	3/8	4.9				2620
M2FH-A033-IAV-272	ARE37C3E-IAV-103	14.50	12.00	11.40	1/4	3/8	4.9				2620
M2FH-A050-IAA-103	RRT62C1E-IAA-104	17.30	14.10	11.70	1/4	3/8	12.8				4060
M2FH-A050-IAA-111	RRT62C1E-IAA-104	17.50	13.70	11.70	1/4	3/8	12.8				4060
M2FH-A050-IAA-121	RRT62C1E-IAA-104	17.30	14.10	11.70	1/4	3/8	12.8				4060
M2FH-A050-IAA-122	RRT62C1E-IAA-104	17.50	13.80	11.70	3/8	1/2	12.8				4060
M2FH-A050-IAA-126	RRT62C1E-IAA-104	17.50	13.90	11.70	1/4	3/8	12.8				4060
M2FH-A050-IAA-140	RRT62C1E-IAA-104	16.60	13.80	11.70	1/4	3/8	12.8				4060
M2FH-A050-IAA-144	RRT62C1E-IAA-104	16.60	13.80	11.70	1/4	3/8	12.8				4060
M2FH-A050-IAA-145	RRT62C1E-IAA-104	19.00	14.10	15.00	1/4	5/8	12.8				4060
M2FH-A050-IAA-176	RRT62C1E-IAA-104	16.64	13.80	11.64	1/4	3/8	12.8				4060
M2FH-A050-IAA-212	RRT62C1E-IAA-104	16.60	13.80	11.70	1/4	3/8	12.8				4060
M2FH-A050-IAA-272	RRT62C1E-IAA-104	16.60	13.80	11.70	1/4	3/8	12.8				4060
M2FH-A050-IAV-103	RRT62C1E-IAV-104	17.10	13.70	11.80	1/4	3/8	6				4060
M2FH-A050-IAV-144	RRT62C1E-IAV-104	18.90	14.80	14.90	1/4	5/8	6				4060
M2FH-A050-IAV-145	RRT62C1E-IAV-104	17.30	13.20	11.80	1/4	3/8	6				4060
M2FH-A050-IAV-212	RRT62C1E-IAV-104	16.60	13.70	11.70	1/4	3/8	6				4060
M2FH-A056-IAA-0H2	RRT64C1E-IAA-109	24.50	21.10	18.60	1/4	1/2	15.4				5100
M2FH-A056-IAA-103	RRT64C1E-IAA-104	17.80	14.20	11.80	1/4	3/8	15.5				5100
M2FH-A056-IAA-111	RRT64C1E-IAA-104	17.80	14.20	11.80	1/4	3/8	15.5				5100
M2FH-A056-IAA-121	RRT64C1E-IAA-104						15.5				5100
M2FH-A056-IAA-122	RRT64C1E-IAA-104						15.5				5100
M2FH-A056-IAA-123	RRT64C1E-IAA-104						15.5				5100
M2FH-A056-IAA-140	RRT64C1E-IAA-104	17.80	14.20	11.80	1/4	3/8	15.5				5100
M2FH-A056-IAA-212	RRT64C1E-IAA-104	17.80	14.20	11.80	1/4	3/8	15.5				5100
M2FH-A056-IAA-272	RRT64C1E-IAA-104	17.80	14.50	11.80	1/4	3/8	15.5				5100
M2FH-A056-IAV-103	RRT64C1E-IAV-104	17.80	14.20	11.80	1/4	3/8	9				5100
M2FH-A056-IAV-140	RRT64C1E-IAV-104	17.80	14.20	11.80	1/4	3/8	9				5100
M2FH-A056-IAV-212	RRT64C1E-IAV-104	17.80	14.20	11.80	1/4	3/8	9				5100
M2FH-A056-IAV-272	RRT64C1E-IAV-104	17.50	14.50	11.80	1/4	3/8	9				5100
M2FH-B051-IAA-140	RRT64C1E-IAA-104	16.60	14.00	11.80	1/4	3/8	14.9				4670

Rcommended New Model	Available BOMs	Service Compressor	New L	New W	New H	New Liquid	New Suction	New MCA	New Rated Capacities			
									LT_134a	LT_404A	MT_134a	MT_404A
M7ZH-H067-CFV-272	177, 179, 212, 272	RRT81C1E-PFV-901	17.31	13.82	12.29	3/8	5/8	8.7				6070
M7KH-0075-CFA-179	020, 072, 177, 179, 212, 272	RRT81C1E-PFA-901	24.00	16.27	13.08	1/4	5/8	18.3				6720
M7KH-0075-CFA-179	020, 072, 177, 179, 212, 272	RRT81C1E-PFA-901	24.00	16.27	13.08	1/4	5/8	18.3				6720
M7KH-0075-CFV-072	020, 072, 177, 179, 212, 272	RRT81C1E-PFV-901	24.00	16.39	13.08	3/8	5/8	9.3				6720
M7KH-0075-CFV-179	020, 072, 177, 179, 212, 272	RRT81C1E-PFV-901	24.00	16.27	13.08	1/4	5/8	9.3				6720
M7KH-0075-CFV-177	020, 072, 177, 179, 212, 272	RRT81C1E-PFV-901	24.00	16.39	13.08	3/8	1/2	9.3				6720
M7JH-0021-IAA-179	028, 078, 177, 179	ARE29C4E-IAA-901	13.91	11.46	9.61	1/4	3/8	5.5				2090
M7JH-H029-IAA-179	103, 177, 179, 212, 272,	ARE35C5E-IAA-901	13.96	11.56	9.67	1/4		9.3				2640
M7JH-H029-IAA-177	103, 177, 179, 212, 272,	ARE35C5E-IAA-901	14.39	11.57	11.37	1/4	3/8	9.3				2640
M7JH-H029-IAA-179	103, 177, 179, 212, 272,	ARE35C5E-IAA-901	13.96	11.56	9.67	1/4		9.3				2640
M7JH-H029-IAA-179	103, 177, 179, 212, 272,	ARE35C5E-IAA-901	13.96	11.56	9.67	1/4		9.3				2640
M7JH-H029-IAA-179	103, 177, 179, 212, 272,	ARE35C5E-IAA-901	13.96	11.56	9.67	1/4		9.3				2640
M7JH-H029-IAA-177	103, 177, 179, 212, 272,	ARE35C5E-IAA-901	14.39	11.57	11.37	1/4	3/8	9.3				2640
M7JH-H029-IAA-179	103, 177, 179, 212, 272,	ARE35C5E-IAA-901	13.96	11.56	9.67	1/4		9.3				2640
M7JH-H029-IAA-179	103, 177, 179, 212, 272,	ARE35C5E-IAA-901	13.96	11.56	9.67	1/4		9.3				2640
M7JH-H029-IAA-179	103, 177, 179, 212, 272,	ARE35C5E-IAA-901	13.96	11.56	9.67	1/4		9.3				2640
M7JH-H029-IAA-179	103, 177, 179, 212, 272,	ARE35C5E-IAA-901	13.96	11.56	9.67	1/4		9.3				2640
M7JH-H029-IAA-179	103, 177, 179, 212, 272,	ARE35C5E-IAA-901	13.96	11.56	9.67	1/4		9.3				2640
M7JH-H029-IAA-179	103, 177, 179, 212, 272,	ARE35C5E-IAA-901	13.96	11.56	9.67	1/4		9.3				2640
M7JH-H029-IAA-179	103, 177, 179, 212, 272,	ARE35C5E-IAA-901	13.96	11.56	9.67	1/4		9.3				2640
M7JH-H029-IAA-177	103, 177, 179, 212, 272,	ARE35C5E-IAA-901	14.39	11.57	11.37	1/4	3/8	9.3				2640
M7JH-H029-IAA-272	103, 177, 179, 212, 272,	ARE35C5E-IAA-901	14.41	12.12	11.37	1/4	3/8	9.3				2640
M7JH-H029-IAA-272	103, 177, 179, 212, 272,	ARE35C5E-IAA-901	14.41	12.12	11.37	1/4	3/8	9.3				2640
M7JH-H029-IAA-177	103, 177, 179, 212, 272,	ARE35C5E-IAA-901	14.39	11.57	11.37	1/4	3/8	9.3				2640
M7JH-H029-IAA-177	103, 177, 179, 212, 272,	ARE35C5E-IAA-901	14.39	11.57	11.37	1/4	3/8	9.3				2640
M7JH-H038-IAV-177	028, 078, 177, 179	ARE48C5E-IAV-901	14.39	11.45	11.37	1/4	3/8	6.8				3450
M7JH-H038-IAV-179	028, 078, 177, 179	ARE48C5E-IAV-901	13.96	11.46	9.67	1/4		6.8				3450
M7JH-H038-IAV-179	028, 078, 177, 179	ARE48C5E-IAV-901	13.96	11.46	9.67	1/4		6.8				3450
M7JH-H038-IAV-177	028, 078, 177, 179	ARE48C5E-IAV-901	14.39	11.45	11.37	1/4	3/8	6.8				3450
M7JH-H038-IAV-179	028, 078, 177, 179	ARE48C5E-IAV-901	13.96	11.46	9.67	1/4		6.8				3450
M7JH-H038-IAV-078	028, 078, 177, 179	ARE48C5E-IAV-901	14.41	12.12	11.37	1/4	3/8	6.8				3450
M7JH-H038-IAV-177	028, 078, 177, 179	ARE48C5E-IAV-901	14.39	11.45	11.37	1/4	3/8	6.8				3450
M7JH-H038-IAV-177	028, 078, 177, 179	ARE48C5E-IAV-901	14.39	11.45	11.37	1/4	3/8	6.8				3450
M7ZH-H046-IAA-177	177, 179, 212, 272	RRT62C1E-IAA-901	17.45	13.46	11.71	3/8		12.8				4210
M7ZH-H046-IAA-179	177, 179, 212, 272	RRT62C1E-IAA-901	16.60	14.09	11.71	1/4		12.8				4210
M7ZH-H046-IAA-177	177, 179, 212, 272	RRT62C1E-IAA-901	17.45	13.46	11.71	3/8		12.8				4210
M7ZH-H046-IAA-179	177, 179, 212, 272	RRT62C1E-IAA-901	16.60	14.09	11.71	1/4		12.8				4210
M7ZH-H046-IAA-179	177, 179, 212, 272	RRT62C1E-IAA-901	16.60	14.09	11.71	1/4		12.8				4210
M7ZH-H046-IAA-177	177, 179, 212, 272	RRT62C1E-IAA-901	17.45	13.46	11.71	3/8		12.8				4210
M7ZH-H046-IAA-179	177, 179, 212, 272	RRT62C1E-IAA-901	16.60	14.09	11.71	1/4		12.8				4210
M7ZH-H046-IAA-179	177, 179, 212, 272	RRT62C1E-IAA-901	16.60	14.09	11.71	1/4		12.8				4210
M7ZH-H046-IAA-272	177, 179, 212, 272	RRT62C1E-IAA-901	17.45	13.57	11.71	3/8	3/8	12.8				4210
M7ZH-H046-IAA-272	177, 179, 212, 272	RRT62C1E-IAA-901	17.45	13.57	11.71	3/8	3/8	12.8				4210
M7ZH-H046-IAV-177	028, 078, 177, 179	RRT62C1E-IAV-901	17.45	13.46	11.71	3/8		6				4210
M7ZH-H046-IAV-179	028, 078, 177, 179	RRT62C1E-IAV-901	16.60	14.09	11.71	1/4		6				4210
M7ZH-H046-IAV-179	028, 078, 177, 179	RRT62C1E-IAV-901	16.60	14.09	11.71	1/4		6				4210
M7ZH-H046-IAV-177	028, 078, 177, 179	RRT62C1E-IAV-901	17.45	13.46	11.71	3/8		6				4210
M7GH-H057-CAA-272	177, 179, 212, 272	RRT64C1E-CAA-901	18.88	14.34	11.83	3/8	5/16	15.5	2190			5060
M7GH-H057-CAA-177	177, 179, 212, 272	RRT64C1E-CAA-901	18.86	14.34	11.79	3/8		15.5	2190			5060
M7GH-H057-CAA-179	177, 179, 212, 272	RRT64C1E-CAA-901	18.10	14.34	11.79	1/4		15.5	2190			5060
M7GH-H057-CAA-179	177, 179, 212, 272	RRT64C1E-CAA-901	18.10	14.34	11.79	1/4		15.5	2190			5060
M7GH-H057-CAA-179	177, 179, 212, 272	RRT64C1E-CAA-901	18.10	14.34	11.79	1/4		15.5	2190			5060
M7GH-H057-CAA-177	177, 179, 212, 272	RRT64C1E-CAA-901	18.86	14.34	11.79	3/8		15.5	2190			5060
M7GH-H057-CAA-272	177, 179, 212, 272	RRT64C1E-CAA-901	18.88	14.34	11.83	3/8	5/16	15.5	2190			5060
M7GH-H057-CAA-272	177, 179, 212, 272	RRT64C1E-CAA-901	18.88	14.34	11.83	3/8	5/16	15.5	2190			5060
M7ZH-H055-CAV-177	177, 179, 212, 272	RRT64C1E-CAV-901	17.36	13.45	11.75	3/8		14.6				4930
M7ZH-H055-CAV-177	177, 179, 212, 272	RRT64C1E-CAV-901	17.36	13.45	11.75	3/8		14.6				4930
M7ZH-H055-CAV-177	177, 179, 212, 272	RRT64C1E-CAV-901	17.36	13.45	11.75	3/8		14.6				4930
M7ZH-H055-CAV-177	177, 179, 212, 272	RRT64C1E-CAV-901	17.36	13.45	11.75	3/8		14.6				4930
M7ZH-H055-CAA-179	177, 179, 212, 272	RRT64C1E-CAA-901	16.60	14.11	11.71	1/4		14.6				4930

Copeland to Copeland Cross Reference

Old Model	Compressor Model	Length	Width	Height	Liquid Conn.	Suction Conn.	MCA	Old Rated Capacities			
								LT_134A	LT_404A	MT_134A	MT_404A
M2FH-E020-IAA-212	ARE17C4E-IAA-103						5.9				
M2FH-E026-IAA-020	ARE27C3E-IAA-103	13.95	11.81	9.67	1/4	3/8	6.8				
M2FH-E033-IAA-122	ARE37C3E-IAA-103	13.94	11.47	9.67	1/4	3/8	9.6				
M2FH-E033-IAA-212	ARE37C3E-IAA-103	13.95	11.81	9.67	1/4	3/8	9.6				
M2FH-E049-CAA-212	ARE51C4E-CAA-103	16.14	13.13	11.73	1/4	3/8	13.7				
M2FH-E050-IAA-121	RRT62C1E-IAA-104	17.45	14.07	11.70	1/4	3/8	12.5			4160	
M2FH-E050-IAA-122	RRT62C1E-IAA-104						12.5			4160	
M2FH-E056-IAA-140	RRT64C1E-IAA-104	17.76	14.46	11.82	1/4	3/8	15.2			5080	
M2FH-E056-IAA-212	RRT64C1E-IAA-104	17.38	14.46	11.82	1/4	3/8	15.2			5080	
M2FH-E056-IAA-221	RRT64C1E-IAA-104						15.2			5080	
M2FH-E074-CFA-212	RRT81C1E-PFA-150	17.50	14.38	11.82	1/4	5/8	17.7			6370	
M2FH-E074-CFA-221	RRT81C1E-PFA-150						17.7			6370	
M2FH-H017-IAA-102	ARE13C4E-IAA-103						6			1170	
M2FH-H017-IAA-103	ARE13C4E-IAA-103	13.94	11.47	9.67	1/4	3/8	6			1170	
M2FH-H017-IAA-111	ARE13C4E-IAA-103						6			1170	
M2FH-H020-IAA-102	ARE17C4E-IAA-103						6			1440	
M2FH-H020-IAA-111	ARE17C4E-IAA-103						6			1440	
M2FH-H020-IAA-121	ARE17C4E-IAA-103	13.68	11.54	9.63	1/4	3/8	6			1440	
M2FH-H020-IAA-126	ARE17C4E-IAA-103	13.98	11.42	9.62	1/4	3/8	6			1440	
M2FH-H020-IAA-176	ARE17C4E-IAA-103	14.44	12.35	9.67	1/4	3/8	6			1440	
M2FH-H040-IAA-176	ARE40C4E-IAA-103	16.55	12.40	9.84	1/4	3/8	9.6			2860	
M2FH-H040-IAA-272	ARE40C4E-IAA-103	17.00	13.40	9.70	1/4	3/8	9.6			2860	
M2FH-H048-CAA-121	ARE51C4E-CAA-103	16.20	12.70	11.70	1/4	3/8	14.8			3780	
M2FH-H049-CAA-103	ARE51C4E-CAA-103	16.20	12.90	11.70	1/4	3/8	14			3690	
M2FH-H049-CAA-111	ARE51C4E-CAA-103				1/4	3/8	14			3690	
M2FH-H049-CAA-141	ARE51C4E-CAA-103	16.00	12.70	11.70	1/4	5/16	14			3690	
M2FH-H049-CAA-143	ARE51C4E-CAA-103	16.00	12.90	11.70	1/4	5/16	14			3690	
M2FH-H049-CAA-212	ARE51C4E-CAA-103	16.18	13.08	11.73	1/4	3/8	14			3690	
M2FH-H049-CAA-214	ARE51C4E-CAA-103	16.20	12.70	11.80	1/4	5/16	14			3690	
M2FH-H049-CAA-272	ARE51C4E-CAA-103	16.30	12.90	11.80	1/4	3/8	14			3690	
M2FH-H049-IAV-121	ARE51C4E-IAV-103	16.20	13.10	11.70	1/4	5/16	6.7			3690	
M2FH-H049-IAV-141	ARE51C4E-IAV-103	16.20	12.70	11.70	1/4	5/16	6.7			3690	
M2FH-H049-IAV-212	ARE51C4E-IAV-103	16.18	13.08	11.74	1/4	3/8	6.7			3690	
M2FH-H049-IAV-214	ARE51C4E-IAV-103	16.20	13.10	11.70	1/4	5/16	6.7			3690	
M2FH-H052-CAA-212	ARE51C4E-CAA-103	16.20	13.10	11.70	1/4	3/8	14			3810	
M2FL-0024-IAA-140	AFE07C3E-IAA-103	13.80	11.30	9.70	1/4	3/8	6.2	860			
M2FL-0050-CFA-111	RFT18C1E-PFA-102	16.13	12.68	12.50	1/4	1/2	13	2390			
M2FL-0050-CFA-116	RFT18C1E-PFA-102	16.13	12.68	12.50	1/4	1/2	13	2390			
M2FL-0050-CFA-117	RFT18C1E-PFA-102	16.13	12.50	12.56	3/8	1/2	13	2390			
M2FL-0050-CFA-119	RFT18C1E-PFA-102	16.13	13.08	12.50	1/4	1/2	13	2390			
M2FL-0050-CFA-124	RFT18C1E-PFA-102	16.13	13.08	12.50	1/4	1/2	13	2390			
M2FL-0050-CFA-212	RFT18C1E-PFA-102	16.00	13.08	12.50	1/4	1/2	13	2390			
M2FL-A025-IAA-020	AFE10C3E-IAA-103	13.80	11.70	9.60	1/4	3/8	6.9	1070			
M2FL-A025-IAA-072	AFE10C3E-IAA-103	14.49	12.91	9.64	1/4	3/8	6.9	1070			
M2FL-A025-IAA-103	AFE10C3E-IAA-103	13.80	11.60	9.70	1/4	3/8	6.9	1070			
M2FL-A025-IAA-111	AFE10C3E-IAA-103	13.82	11.30	9.70	1/4	3/8	6.9	1070			
M2FL-A025-IAA-122	AFE10C3E-IAA-103	13.60	11.30	9.70	1/4	3/8	6.9	1070			
M2FL-A025-IAA-123	AFE10C3E-IAA-103	13.80	11.30	9.60	1/4	3/8	6.9	1070			
M2FL-B033-IAA-020	AFE12C3E-IAA-103	13.90	11.77	9.67	1/4	3/8	6.7	1240			
M2FL-B033-IAA-103	AFE12C3E-IAA-103	13.82	11.66	9.70	1/4	3/8	6.7	1240			
M2FL-B033-IAA-111	AFE12C3E-IAA-103	13.82	11.30	9.70	1/4	3/8	6.7	1240			
M2FL-B033-IAA-122	AFE12C3E-IAA-103	13.60	11.30	9.70	1/4	3/8	6.7	1240			
M2FL-B033-IAA-123	AFE12C3E-IAA-103						6.7	1240			
M2FL-B033-IAA-140	AFE12C3E-IAA-103	13.80	11.30	9.70	1/4	3/8	6.7	1240			
M2FL-H023-IAA-111	AFE05C4E-IAA-103						5.4	740			
M2FL-H023-IAA-140	AFE05C4E-IAA-103						5.4	740			
M2FL-H023-IAA-141	AFE05C4E-IAA-103						5.4	740			
M2FL-H036-IAA-122	AFE12C4E-IAA-103	16.00	12.70	11.70	3/8	3/8	9				
M2FL-H040-IAA-103	AFE12C4E-IAA-103	16.50	12.40	9.70	1/4	3/8	9				
M2FL-H040-IAA-111	AFE12C4E-IAA-103	16.50	12.20	9.70	1/4	3/8	9				
M2FL-H040-IAA-122	AFE12C4E-IAA-103	16.60	12.20	9.60	1/4	3/8	9				
M2FL-H040-IAA-212	AFE12C4E-IAA-103	16.60	12.40	9.60	1/4	3/8	9				

Rcommended New Model	Available BOMs	Service Compressor	New L	New W	New H	New Liquid	New Suction	New MCA	New Rated Capacities			
									LT_134a	LT_404A	MT_134a	MT_404A
M7JH-0014-IAA-177	028, 078, 177, 179	ARE17C4E-IAA-901	14.10	11.45	11.37	1/4	5/16	5.9				1380
M7JH-H020-IAA-078	028, 078, 103, 111, 177, 179	ARE25C4E-IAA-901	14.13	12.12	11.37	1/4	3/8	6.8				1970
M7JH-0026-IAA-177	177, 179, 212, 272	ARE35C5E-IAA-901	14.10	11.45	11.37	1/4	5/16	9.3				2410
M7JH-0026-IAA-272	177, 179, 212, 272	ARE35C5E-IAA-901	14.41	12.12	11.37	1/4	3/8	9.3				2410
M7ZH-H042-IAA-272	212, 272	ARE48C5E-IAA-901	16.58	13.09	11.70	1/4	3/8	10.9				3660
M7ZH-H046-IAA-177	177, 179, 212, 272	RRT62C1E-IAA-901	17.45	13.46	11.71	3/8		12.8				4210
M7ZH-H046-IAA-177	177, 179, 212, 272	RRT62C1E-IAA-901	17.45	13.46	11.71	3/8		12.8				4210
M7ZH-H055-CAA-272	177, 179, 212, 272	RRT64C1E-CAA-901	17.36	13.62	11.71	3/8	5/16	14.6				4930
M7ZH-H055-CAA-272	177, 179, 212, 272	RRT64C1E-CAA-901	17.36	13.62	11.71	3/8	5/16	14.6				4930
M7ZH-H055-CAA-272	177, 179, 212, 272	RRT64C1E-CAA-901	17.36	13.62	11.71	3/8	5/16	14.6				4930
M7GH-H072-CFA-272	212, 272	RRT81C1E-PFA-901	18.83	14.34	12.29	1/2	5/8	18				6450
M7GH-H072-CFA-272	212, 272	RRT81C1E-PFA-901	18.83	14.34	12.29	1/2	5/8	18				6450
M7JH-0012-IAA-179	028, 078, 177, 179	ARE13C4E-IAA-901	13.91	11.46	9.61	1/4	3/8	5.9				1150
M7JH-0012-IAA-177	028, 078, 177, 179	ARE13C4E-IAA-901	14.10	11.45	11.37	1/4	5/16	5.9				1150
M7JH-0012-IAA-179	028, 078, 177, 179	ARE13C4E-IAA-901	13.91	11.46	9.61	1/4	3/8	5.9				1150
M7JH-0014-IAA-179	028, 078, 177, 179	ARE17C4E-IAA-901	13.91	11.46	9.61	1/4	3/8	5.9				1380
M7JH-0014-IAA-179	028, 078, 177, 179	ARE17C4E-IAA-901	13.91	11.46	9.61	1/4	3/8	5.9				1380
M7JH-0014-IAA-177	028, 078, 177, 179	ARE17C4E-IAA-901	14.10	11.45	11.37	1/4	5/16	5.9				1380
M7JH-0014-IAA-179	028, 078, 177, 179	ARE17C4E-IAA-901	13.91	11.46	9.61	1/4	3/8	5.9				1380
M7JH-0014-IAA-177	028, 078, 177, 179	ARE17C4E-IAA-901	14.10	11.45	11.37	1/4	5/16	5.9				1380
M7JH-H038-IAA-177	177, 179, 212, 272	ARE48C5E-IAA-901	14.39	11.45	11.37	1/4	3/8	10.7				3450
M7JH-H038-IAA-177	177, 179, 212, 272	ARE48C5E-IAA-901	14.39	11.45	11.37	1/4	3/8	10.7				3450
M7ZH-0045-IAA-272	177, 179, 212, 272	ARE54C5E-IAA-901	16.58	13.09	11.71	1/4	5/16	12.5				4010
M7JH-H042-IAA-177	177, 179, 212, 272	ARE54C5E-IAA-901	14.39	11.45	11.37	1/4	3/8	6.8				3830
M7JH-H042-IAA-179	177, 179, 212, 272	ARE54C5E-IAA-901	13.96	11.46	9.67	1/4		6.8				3830
M7JH-H042-IAA-179	177, 179, 212, 272	ARE54C5E-IAA-901	13.96	11.46	9.67	1/4		6.8				3830
M7JH-H042-IAA-177	177, 179, 212, 272	ARE54C5E-IAA-901	14.39	11.45	11.37	1/4	3/8	6.8				3830
M7JH-H042-IAA-177	177, 179, 212, 272	ARE54C5E-IAA-901	14.39	11.45	11.37	1/4	3/8	6.8				3830
M7JH-H042-IAA-272	177, 179, 212, 272	ARE54C5E-IAA-901	14.41	12.12	11.37	1/4	3/8	12.3				3830
M7JH-H042-IAA-177	177, 179, 212, 272	ARE54C5E-IAA-901	14.39	11.45	11.37	1/4	3/8	6.8				3830
M7ZH-0041-IAV-078	028, 078, 177, 179	ARE48C5E-IAV-901	16.58	13.09	11.71	1/4	5/16	6.9				3600
M7ZH-0041-IAV-179	028, 078, 177, 179	ARE48C5E-IAV-901	16.18	13.32	11.73	1/4	5/16	6.9				3600
M7ZH-0041-IAV-078	028, 078, 177, 179	ARE48C5E-IAV-901	16.58	13.09	11.71	1/4	5/16	6.9				3600
M7ZH-0041-IAV-078	028, 078, 177, 179	ARE48C5E-IAV-901	16.58	13.09	11.71	1/4	5/16	6.9				3600
M7ZH-0045-IAA-177	177, 179, 212, 272	ARE54C5E-IAA-901	16.58	12.68	11.73	1/4	5/16	12.5				4010
M7JP-0020-IAA-177	028, 078, 177, 179	AFF07C1E-IAA-901	14.37	12.11	11.38	1/4	5/16	5.9	825			1910
M7ZP-H062-CFA-179	177, 179, 212, 272	RFT18C1E-PFA-901	16.60	14.15	11.70	1/4	3/8	13	2550			5350
M7ZP-H062-CFA-179	177, 179, 212, 272	RFT18C1E-PFA-901	16.60	14.15	11.70	1/4	3/8	13	2550			5350
M7ZP-H062-CFA-179	177, 179, 212, 272	RFT18C1E-PFA-901	16.60	14.15	11.70	1/4	3/8	13	2550			5350
M7ZP-H062-CFA-272	177, 179, 212, 272	RFT18C1E-PFA-901	17.30	13.77	12.29	3/8	1/2	13	2550			5350
M7ZP-H062-CFA-179	177, 179, 212, 272	RFT18C1E-PFA-901	16.60	14.15	11.70	1/4	3/8	13	2550			5350
M7ZP-H062-CFA-177	177, 179, 212, 272	RFT18C1E-PFA-901	17.32	13.82	12.29	3/8		13	2550			5350
M7JP-0029-IAA-078	028, 078, 177, 179	AFF10C1E-IAA-901	14.48	12.11	11.37	1/4	3/8	4.9	1230			2750
M7JP-0029-IAA-078	028, 078, 177, 179	AFF10C1E-IAA-901	14.48	12.11	11.37	1/4	3/8	4.9	1230			2750
M7JP-0029-IAA-177	028, 078, 177, 179	AFF10C1E-IAA-901	14.37	12.11	11.38	1/4	5/16	4.9	1230			2750
M7JP-0029-IAA-179	028, 078, 177, 179	AFF10C1E-IAA-901	14.08	12.12	9.66	1/4	5/16	4.9	1230			2750
M7JP-0029-IAA-179	028, 078, 177, 179	AFF10C1E-IAA-901	14.08	12.12	9.66	1/4	5/16	4.9	1230			2750
M7JP-0029-IAA-179	028, 078, 177, 179	AFF10C1E-IAA-901	14.08	12.12	9.66	1/4	5/16	4.9	1230			2750
M7JP-0029-IAA-179	028, 078, 177, 179	AFF10C1E-IAA-901	14.08	12.12	9.66	1/4	5/16	4.9	1230			2750
M7JP-0029-IAA-179	028, 078, 177, 179	AFF10C1E-IAA-901	14.08	12.12	9.66	1/4	5/16	4.9	1230			2750
M7JP-0029-IAA-179	028, 078, 177, 179	AFF10C1E-IAA-901	14.08	12.12	9.66	1/4	5/16	4.9	1230			2750
M7JP-0029-IAA-179	028, 078, 177, 179	AFF10C1E-IAA-901	14.08	12.12	9.66	1/4	5/16	4.9	1230			2750
M7JP-0029-IAA-179	028, 078, 177, 179	AFF10C1E-IAA-901	14.08	12.12	9.66	1/4	5/16	4.9	1230			2750
M7JP-0029-IAA-179	028, 078, 177, 179	AFF10C1E-IAA-901	14.08	12.12	9.66	1/4	5/16	4.9	1230			2750
M7JM-0019-IAA-179	028, 078, 177, 179	AFE05C4E-IAA-901	13.91	11.46	9.61	1/4	3/8	5.3	734			734
M7JM-0019-IAA-179	028, 078, 177, 179	AFE05C4E-IAA-901	13.91	11.46	9.61	1/4	3/8	5.3	734			734
M7JM-0019-IAA-179	028, 078, 177, 179	AFE05C4E-IAA-901	13.91	11.46	9.61	1/4	3/8	5.3	734			734
M7ZP-0041-IAA-179	177, 179, 212, 272	AFE12C4E-IAA-901	16.18	13.32	11.73	1/4	5/16	9	1600			1600
M7ZP-0041-IAA-177	177, 179, 212, 272	AFE12C4E-IAA-901	16.58	12.68	11.73	1/4	5/16	9	1600			1600
M7ZP-0041-IAA-179	177, 179, 212, 272	AFE12C4E-IAA-901	16.18	13.32	11.73	1/4	5/16	9	1600			1600
M7ZP-0041-IAA-179	177, 179, 212, 272	AFE12C4E-IAA-901	16.18	13.32	11.73	1/4	5/16	9	1600			1600
M7ZP-0041-IAA-177	177, 179, 212, 272	AFE12C4E-IAA-901	16.58	12.68	11.73	1/4	5/16	9	1600			1600

Copeland to Copeland Cross Reference

Old Model	Compressor Model	Length	Width	Height	Liquid Conn.	Suction Conn.	MCA	Old Rated Capacities			
								LT_134A	LT_404A	MT_134A	MT_404A
M2FM-0050-IAA-123	RRT64C1E-IAA-109	16.00	12.70	11.74	3/8	3/8	14.6				4350
M2FM-0050-IAA-212	RRT64C1E-IAA-109	16.20	13.70	11.70	1/4	1/2	14.6				4350
M2FM-0050-IAA-252	RRT64C1E-IAA-109	16.20	13.70	11.70	1/4	1/2	14.6				4350
M2FM-0050-IAV-212	RRT64C1E-IAV-109	16.16	13.68	11.70	1/4	1/2	8.6				4350
M2FM-0054-IAA-123	RRT64C1E-IAA-109						14.6				4530
M2FM-0059-IAA-102	RRT64C1E-IAA-104	17.40	14.00	11.80	1/4	3/8	15.5				4830
M2FM-0059-IAA-215	RRT64C1E-IAA-104	17.40	14.40	11.80	1/4	3/8	15.5				4830
M2FM-0074-CFA-115	RRT10K1E-PFA-150	17.50	14.03	11.87	1/4	1/2	18.7				7050
M2FM-0074-CFA-212	RRT10K1E-PFA-150	24.00	17.58	12.10	3/8	5/8	18.7				7050
M2FM-0074-CFA-252	RRT10K1E-PFA-150	17.50	14.38	11.92	1/4	5/8	18.7				7050
M2FM-0075-CFA-020	RRT10K1E-PFA-150	24.00	17.49	13.07	3/8	5/8	19				7140
M2FM-0075-CFA-121	RRT10K1E-PFA-150	24.00	16.67	13.07	3/8	1/2	19				7140
M2FM-0075-CFA-221	RRT10K1E-PFA-150	24.00	17.49	13.07	3/8	1/2	19				7140
M2FM-0075-CFV-020	RRT10K1E-PFV-150	24.00	17.49	13.07	3/8	5/8	11.2				7140
M2FM-0075-CFV-115	RRT10K1E-PFV-150	24.00	16.76	13.07	3/8	5/8	11.2				7140
M2FM-0075-CFV-212	RRT10K1E-PFV-150	24.00	17.49	13.07	3/8	5/8	11.2				7140
M2FM-0076-CFA-221	RRT10K1E-PFA-150	24.00	17.60	13.10	3/8	1/2	19				7470
M2FM-E076-CFA-221	RRT10K1E-PFA-150	24.00	17.60	13.10	3/8	1/2	18.2				7470
M2HH-0024-IAA-140	ARE25C3E-IAA-103	16.70	6.90	10.80	1/4	3/8	6.5				1260
M2HH-0024-SAA-102	ARE25C3E-SAA-103	16.40	7.00	10.70	3/8	3/8	6.3				1260
M2HH-H016-IAA-140	ARE13C4E-IAA-103						5.7				1030
M2HH-H017-IAA-102	ARE13C4E-IAA-103						6				1030
M2HH-H024-IAV-340	ARE25C4E-IAV-103						3.4				1510
M2NH-H017-IAA-300	ARE13C4E-IAA-103	13.90	11.50	8.40	1/4	3/8	5.3				
M2PH-0026-IAA-020	ARE27C3E-IAA-103	19.90	11.10	10.60	1/4	3/8	6.9				2080
M2PH-0026-IAA-103	ARE27C3E-IAA-103	19.88	11.10	10.52	1/4	3/8	6.9				2080
M2PH-0026-IAA-121	ARE27C3E-IAA-103	19.88	11.00	10.52	1/4	5/16	6.9				2080
M2PH-0026-IAA-122	ARE27C3E-IAA-103	19.88	11.72	10.52	1/4	5/16	6.9				2080
M2PH-0026-IAA-123	ARE27C3E-IAA-103						6.9				2080
M2PH-0026-IAA-140	ARE27C3E-IAA-103	19.88	11.00	10.52	1/4	3/8	6.9				2080
M2PH-0026-IAA-144	ARE27C3E-IAA-103	19.88	11.06	10.52	1/4	5/16	6.9				2080
M2PH-0040-IAA-208	ARE41C3E-IAA-103	19.88	11.01	10.52	1/4	3/8	10.2				2870
M2PH-0040-IAA-214	ARE41C3E-IAA-103						10.2				2870
M2PH-A025-IAA-140	ARE27C3E-IAA-103	19.88	11.00	10.52	1/4	5/16	7.1				
M2PH-A033-IAA-103	ARE37C3E-IAA-103	18.80	10.00	10.52	1/4	3/8	9.9				2620
M2PH-A033-IAA-111	ARE37C3E-IAA-103	19.88	11.00	10.52	1/4	3/8	9.9				2620
M2PH-A033-IAA-121	ARE37C3E-IAA-103	19.88	11.00	10.52	1/4	5/16	9.9				2620
M2PH-A033-IAA-144	ARE37C3E-IAA-103	19.88	11.06	10.52	1/4	5/16	9.9				2620
M2PH-A033-IAA-160	ARE37C3E-IAA-103	19.90	11.00	10.50	1/4	5/16	9.9				2620
M2PH-A033-IAA-161	ARE37C3E-IAA-103	19.90	11.30	10.50	1/4	5/16	9.9				2620
M2PH-A033-IAA-162	ARE37C3E-IAA-103	19.88	11.70	10.52	1/4	5/16	9.9				2620
M2PH-A033-IAA-176	ARE37C3E-IAA-103	19.88	11.00	10.52	1/4	5/16	9.9				2620
M2PH-A033-IAA-208	ARE37C3E-IAA-103	19.88	11.06	10.52	1/4	3/8	9.9				2620
M2PH-A033-IAA-212	ARE37C3E-IAA-103	19.88	11.06	10.52	1/4	3/8	9.9				2620
M2PH-A033-IAV-103	ARE37C3E-IAV-103	19.88	11.10	10.52	1/4	3/8	4.9				2620
M2PH-A033-IAV-121	ARE37C3E-IAV-103						4.9				2620
M2PH-A033-IAV-122	ARE37C3E-IAV-103	19.88	11.19	10.47	1/4	5/16	4.9				2620
M2PH-A033-IAV-160	ARE37C3E-IAV-103						4.9				2620
M2PH-A033-IAV-208	ARE37C3E-IAV-103	19.88	11.06	10.52	1/4	3/8	4.9				2620
M2PH-A033-IAV-212	ARE37C3E-IAV-103	19.88	11.06	10.52	1/4	3/8	4.9				2620
M2PH-H020-IAA-121	ARE17C4E-IAA-103						6				1410
M2PH-H024-IAV-321	ARE25C4E-IAV-103						3.4				1860
M2PH-H047-CAA-144	ARE51C4E-CAA-103	19.90	11.90	10.40	1/4	3/8	14				
M2PH-H047-CAA-208	ARE51C4E-CAA-103	19.90	11.10	10.40	1/4	3/8	14				
M2PH-H047-CAA-212	ARE51C4E-CAA-103	19.90	11.10	10.40	1/4	3/8	14				
M2PH-H047-IAV-212	ARE51C4E-IAV-103	20.00	11.20	10.50	1/4	3/8	6.7				
M2PH-M033-IAA-103	ARE37C3E-IAA-103	20.00	11.00	10.50	1/4	3/8	9.7				2370
M2PL-A025-IAA-212	AFE10C3E-IAA-103	19.88	11.06	10.52	1/4	3/8	6.9	1070			
M2PL-B033-IAA-020	AFE12C3E-IAA-103	19.88	11.06	10.52	1/4	3/8	6.7	1240			
M2PL-H040-IAA-103	AFE12C4E-IAA-103	19.90	11.10	10.50	1/4	1/4	9	1530			
M2PL-H040-IAA-212	AFE12C4E-IAA-103	19.88	11.15	10.46	1/4	3/8	9	1530			
M2SH-A033-IAA-140	ARE37C3E-IAA-103	13.64	10.74	9.62	3/8	3/8	9.9				2620

Rcommended New Model	Available BOMs	Service Compressor	New L	New W	New H	New Liquid	New Suction	New MCA	New Rated Capacities			
									LT_134a	LT_404A	MT_134a	MT_404A
M7ZH-H055-CAA-179	177, 179, 212, 272	RRT64C1E-CAA-901	16.60	14.11	11.71	1/4		14.6				4930
M7ZH-H055-CAA-272	177, 179, 212, 272	RRT64C1E-CAA-901	17.36	13.62	11.71	3/8	5/16	14.6				4930
M7ZH-H055-CAA-272	177, 179, 212, 272	RRT64C1E-CAA-901	17.36	13.62	11.71	3/8	5/16	14.6				4930
M7ZH-H055-CAV-272	177, 179, 212, 272	RRT64C1E-CAV-901	17.36	13.62	11.71	3/8	5/16	8.6				4930
M7ZH-H055-CAA-272	177, 179, 212, 272	RRT64C1E-CAA-901	17.36	13.62	11.71	3/8	5/16	14.6				4930
M7ZH-H055-CAA-179	177, 179, 212, 272	RRT64C1E-CAA-901	16.60	14.11	11.71	1/4		14.6				4930
M7ZH-H055-CAA-179	177, 179, 212, 272	RRT64C1E-CAA-901	16.60	14.11	11.71	1/4		14.6				4930
M7GH-H083-CFA-272	212, 272	RRT10K1E-PFA-901	18.83	14.34	12.29	1/2	5/8	18.7				7280
M7GH-H083-CFA-272	212, 272	RRT10K1E-PFA-901	18.83	14.34	12.29	1/2	5/8	18.7				7280
M7GH-H083-CFA-272	212, 272	RRT10K1E-PFA-901	18.83	14.34	12.29	1/2	5/8	18.7				7280
M7KH-0086-CFA-072	020, 072, 177, 179, 212, 272	RRT10K1E-PFA-901	24.00	16.39	13.08	3/8	5/8	19				7610
M7KH-0086-CFA-179	020, 072, 177, 179, 212, 272	RRT10K1E-PFA-901	24.00	16.27	13.08	1/4	5/8	19				7610
M7KH-0086-CFA-272	020, 072, 177, 179, 212, 272	RRT10K1E-PFA-901	16.39	24.00	13.08	3/8	5/8	19				7610
M7KH-0086-CFA-272	020, 072, 177, 179, 212, 272	RRT10K1E-PFA-901	16.39	24.00	13.08	3/8	5/8	19				7610
M7KH-0086-CFV-072	020, 072, 177, 179, 212, 272	RRT10K1E-PFV-901	24.00	16.39	13.08	3/8	5/8	11.2				7610
M7KH-0086-CFV-179	020, 072, 177, 179, 212, 272	RRT10K1E-PFV-901	24.00	16.27	13.08	1/4	5/8	11.2				7610
M7KH-0086-CFV-177	020, 072, 177, 179, 212, 272	RRT10K1E-PFV-901	24.00	16.39	13.08	3/8	1/2	11.2				7610
M7KH-0086-CFA-272	020, 072, 177, 179, 212, 272	RRT10K1E-PFA-901	16.39	24.00	13.08	3/8	5/8	19				7610
M7KH-0086-CFA-272	020, 072, 177, 179, 212, 272	RRT10K1E-PFA-901	16.39	24.00	13.08	3/8	5/8	19				7610
M7JH-0014-IAA-179	028, 078, 177, 179	ARE17C4E-IAA-901	13.91	11.46	9.61	1/4	3/8	5.9				1380
M7JH-0014-IAA-179	028, 078, 177, 179	ARE17C4E-IAA-901	13.91	11.46	9.61	1/4	3/8	5.9				1380
M7JH-0012-IAA-179	028, 078, 177, 179	ARE13C4E-IAA-901	13.91	11.46	9.61	1/4	3/8	5.9				1150
M7JH-0012-IAA-179	028, 078, 177, 179	ARE13C4E-IAA-901	13.91	11.46	9.61	1/4	3/8	5.9				1150
M7JH-0018-IAV-078	078	ARE25C4E-IAV-901										
M7JH-0012-IAA-177	028, 078, 177, 179	ARE13C4E-IAA-901	14.10	11.45	11.37	1/4	5/16	5.9				1150
M7PH-0020-IAA-078	028, 078, 177, 179	ARE25C4E-IAA-901	19.90	11.16	10.65	1/4	5/16	6.8				1970
M7PH-0020-IAA-177	028, 078, 177, 179	ARE25C4E-IAA-901	19.88	11.06	10.65	1/4	5/16	6.8				1970
M7PH-0020-IAA-179	028, 078, 177, 179	ARE25C4E-IAA-901	19.88	11.02	10.48	1/4	5/16	6.8				1970
M7PH-0020-IAA-179	028, 078, 177, 179	ARE25C4E-IAA-901	19.88	11.02	10.48	1/4	5/16	6.8				1970
M7PH-0020-IAA-179	028, 078, 177, 179	ARE25C4E-IAA-901	19.88	11.02	10.48	1/4	5/16	6.8				1970
M7PH-0020-IAA-179	028, 078, 177, 179	ARE25C4E-IAA-901	19.88	11.02	10.48	1/4	5/16	6.8				1970
M7PH-0020-IAA-179	028, 078, 177, 179	ARE25C4E-IAA-901	19.88	11.02	10.48	1/4	5/16	6.8				1970
M7PH-0029-IAA-179	028, 078, 177, 179	ARE35C5E-IAA-901	19.88	11.02	10.48	1/4	5/16	9.3				2640
M7PH-0029-IAA-179	028, 078, 177, 179	ARE35C5E-IAA-901	19.88	11.02	10.48	1/4	5/16	9.3				2640
M7PH-H021-IAA-078	028, 078	ARE25C4E-IAA-901	19.90	11.21	10.65	1/4	5/16	7				1980
M7PH-0029-IAA-078	028, 078, 177, 179	ARE35C5E-IAA-901	19.86	11.16	11.16	1/4	5/16	9.3				2640
M7PH-0029-IAA-179	028, 078, 177, 179	ARE35C5E-IAA-901	19.88	11.02	10.48	1/4	5/16	9.3				2640
M7PH-0029-IAA-078	028, 078, 177, 179	ARE35C5E-IAA-901	19.86	11.16	11.16	1/4	5/16	9.3				2640
M7PH-0029-IAA-179	028, 078, 177, 179	ARE35C5E-IAA-901	19.88	11.02	10.48	1/4	5/16	9.3				2640
M7PH-0029-IAA-179	028, 078, 177, 179	ARE35C5E-IAA-901	19.88	11.02	10.48	1/4	5/16	9.3				2640
M7PH-0029-IAA-179	028, 078, 177, 179	ARE35C5E-IAA-901	19.88	11.02	10.48	1/4	5/16	9.3				2640
M7PH-0029-IAA-179	028, 078, 177, 179	ARE35C5E-IAA-901	19.88	11.02	10.48	1/4	5/16	9.3				2640
M7PH-0029-IAA-179	028, 078, 177, 179	ARE35C5E-IAA-901	19.88	11.02	10.48	1/4	5/16	9.3				2640
M7PH-0029-IAA-179	028, 078, 177, 179	ARE35C5E-IAA-901	19.88	11.02	10.48	1/4	5/16	9.3				2640
M7PH-0029-IAA-179	028, 078, 177, 179	ARE35C5E-IAA-901	19.88	11.02	10.48	1/4	5/16	9.3				2640
M7PH-0029-IAA-078	028, 078, 177, 179	ARE35C5E-IAA-901	19.86	11.16	11.16	1/4	5/16	9.3				2640
M7PH-0029-IAB-177	177	ARE35C5E-IAB-901										
M7PH-0029-IAB-177	177	ARE35C5E-IAB-901										
M7PH-0029-IAB-177	177	ARE35C5E-IAB-901										
M7PH-0029-IAB-177	177	ARE35C5E-IAB-901										
M7PH-0029-IAB-177	177	ARE35C5E-IAB-901										
M7PH-0029-IAB-177	177	ARE35C5E-IAB-901										
M7PH-0012-IAA-179	028, 078, 177, 179	ARE13C4E-IAA-901	19.88	11.02	10.48	1/4	5/16	5.9				1210
M7PH-0020-IAV-078	078											
M7PH-0042-IAA-179	177, 179, 212, 272	ARE54C5E-IAA-901	19.88	11.02	10.48	1/4	5/16	12.3				3830
M7PH-0042-IAA-179	177, 179, 212, 272	ARE54C5E-IAA-901	19.88	11.02	10.48	1/4	5/16	12.3				3830
M7PH-0042-IAA-177	177, 179, 212, 272	ARE54C5E-IAA-901	19.88	11.06	11.16	1/4	5/16	12.3				3830
M7PH-0042-IAA-177	177, 179, 212, 272	ARE54C5E-IAA-901	19.88	11.06	11.16	1/4	5/16	12.3				3830
M7PH-0024-IAA-177	028, 078, 177, 179	ARE29C4E-IAA-901	19.88	11.06	10.65	1/4	5/16	4.4				2290
M7PP-0032-IAA-177	028, 078, 177, 179	AFF10C1E-IAA-901	19.90	11.06	11.69	1/4	5/16	4.9	1330			3100
M7PP-0032-IAA-078	028, 078, 177, 179	AFF10C1E-IAA-901	19.90	11.16	11.69	1/4	3/8	4.9	1330			3100
M7PM-0036-IAA-177	177, 179, 212, 272	AFE12C4E-IAA-901	19.88	11.06	11.16	1/4	5/16	8.8	1560			
M7PM-H040-IAA-272	212, 272	AFE12C4E-IAA-901	19.88	11.21	11.14	1/4	5/16	9	1580			
M7JH-0026-IAA-179	177, 179, 212, 272	ARE35C5E-IAA-901	13.94	11.46	9.61	1/4	3/8	9.3				2410

Copeland to Copeland Cross Reference

Old Model	Compressor Model	Length	Width	Height	Liquid Conn.	Suction Conn.	MCA	Old Rated Capacities			
								LT_134A	LT_404A	MT_134A	MT_404A
M2TH-0024-IAA-108	ARE25C3E-IAA-103	19.00	8.50	10.50	1/4	5/16	6.7				1730
M2TH-0024-IAA-118	ARE25C3E-IAA-103	19.00	9.40	10.50	1/4	5/16	6.7				1730
M2TH-0024-IAA-122	ARE25C3E-IAA-103						6.7				1730
M2TH-0024-IAA-128	ARE25C3E-IAA-103	19.30	8.70	10.50	1/4	5/16	6.7				1730
M2TH-0024-IAA-160	ARE25C3E-IAA-103	19.00	9.35	10.53	1/4		6.7				1730
M2TH-0024-IAA-908	ARE25C3E-IAA-103	19.00	8.50	10.50	1/4	5/16	6.7				1730
M2TH-0024-IAA-918	ARE25C3E-IAA-103	19.00	9.40	10.50	1/4	5/16	6.7				1730
M2TH-0026-IAA-108	ARE27C3E-IAA-103						7.1				1970
M2TH-0026-IAA-118	ARE27C3E-IAA-103	19.00	9.40	10.50	1/4	5/16	15				1970
M2TH-0026-IAA-908	ARE27C3E-IAA-103						7.1				1970
M2TH-0026-IAA-918	ARE27C3E-IAA-103	19.00	9.40	10.50	1/4	5/16	7.1				1970
M2TH-0034-IAA-108	ARE37C3E-IAA-103						9.9				2310
M2TH-0034-IAA-118	ARE37C3E-IAA-103	19.00	9.40	10.50	1/4	5/16	9.9				2310
M2TH-0034-IAA-128	ARE37C3E-IAA-103						9.9				2310
M2TH-0034-IAA-908	ARE37C3E-IAA-103						9.9				2310
M2TH-0034-IAA-918	ARE37C3E-IAA-103	19.00	9.40	10.50	1/4	5/16	9.9				2310
M2TH-0035-IAA-122	ARE37C3E-IAA-103						10.1				
M2TH-0035-IAA-128	ARE37C3E-IAA-103						10.1				
M2TH-H017-IAA-908	ARE13C4E-IAA-103						6.1				1160
M2TH-H017-IAA-918	ARE13C4E-IAA-103	19.00	9.46	10.53	1/4	5/16	6.1				1160
M2TH-H020-IAA-108	ARE17C4E-IAA-103						6.1				1390
M2TH-H020-IAA-160	ARE17C4E-IAA-103	19.00	9.35	10.53	1/4	3/8	6.1				1390
M2TH-H020-IAA-908	ARE17C4E-IAA-103						6.1				1390
M2TH-H020-IAA-918	ARE17C4E-IAA-103	19.00	9.46	10.53	1/4	5/16	6.1				1390
M2TH-H033-IAA-108	ARE34C4E-IAA-103	19.00	8.50	10.50	1/4	5/16	6.6				2320
M2TH-H033-IAA-118	ARE34C4E-IAA-103	19.00	8.50	10.50	1/4	5/16	6.6				2320
M2TH-H033-IAA-121	ARE34C4E-IAA-103	19.00	8.50	10.50	1/4	5/16	6.6				2320
M2TH-H033-IAA-140	ARE34C4E-IAA-103						6.6				2320
M2TH-H033-IAA-908	ARE34C4E-IAA-103	19.00	8.50	10.50	1/4	5/16	6.6				2320
M2TH-H033-IAA-918	ARE34C4E-IAA-103	19.00	9.40	10.50	1/4	5/16	6.6				2320
M2TH-H033-IAA-919	ARE34C4E-IAA-103	19.00	9.40	10.50	1/4	3/16	6.6				2320
M2WH-C026-IAA-020	ARE27C3E-IAA-103	17.90	12.98	8.65	1/4	3/8	6.2				2160
M2WH-C033-IAA-020	ARE37C3E-IAA-103	17.90	12.98	8.65	1/4	3/8	9				3000
M2WH-C033-IAV-020	ARE37C3E-IAV-103	17.90	12.98	8.65	1/4	3/8	4.3				3000
M2WH-C040-IAA-020	ARE41C3E-IAA-103	17.90	12.98	8.65	1/4	3/8	9.3				3390
M2WH-C074-CFA-220	RRT81C1E-PFA-150	19.50	12.71	11.91	1/4	5/8	16.3				
M2WH-C074-CFV-220	RRT81C1E-PFV-150	19.51	12.70	11.92	1/4	5/8	8.1				
M2WH-D050-IAA-020	RRT62C1E-IAA-104	13.80	18.60	9.30	1/4	3/8	11.9				4610
M2WH-D050-IAA-121	RRT62C1E-IAA-104	13.80	18.60	9.30	1/4	3/8	11.9				
M2WH-D050-IAV-020	RRT62C1E-IAV-104	13.80	18.60	9.30	1/4	3/8	5.4				4610
M2WH-D056-IAA-020	RRT64C1E-IAA-104	18.50	13.80	9.80	1/4	3/8	13.8				5510
M2WH-D056-IAV-020	RRT64C1E-IAV-104	12.80	17.90	9.20	1/4	3/8	8				5510
M2WH-H049-CAA-021	ARE51C4E-CAA-103						13.1				
M2WH-H049-CAA-121	ARE51C4E-CAA-103	12.80	17.90	9.20	1/4	3/8	13.1				
M2WH-H049-CAA-220	ARE51C4E-CAA-103	12.80	18.20	9.20	1/4	3/8	13.1				
M2WH-H049-IAV-020	ARE51C4E-IAV-103	18.20	12.90	9.30	1/4	3/8	6.1				4150
M2WM-C075-CFA-020	RRT10K1E-PFA-150	24.00	17.58	12.10	3/8	5/8	17				8490
M2WM-C075-CFA-122	RRT10K1E-PFA-150	24.00	17.51	12.10	3/8	5/8	17				
M2WM-C075-CFV-020	RRT10K1E-PFV-150	24.00	16.50	12.10	3/8	5/8	10				8490
M3CD-E053-IAA-140	AFE13C3E-IAA-103						13.6		2070		1520
M3CD-H053-IAA-140											
M4AF-A078-CAA-160	RST55C1E-CAA-102						20.5				
M4AF-A078-CAV-160	RST55C1E-CAV-104						9.7				
M4CF-0050-IAA-212	RST45C1E-IAA-108	21.30	13.40	11.70	1/4	1/2	14		2260		4500
M4CF-0050-IAA-252	RST45C1E-IAA-108	21.40	13.40	11.70	1/4	1/2	14		2260		4500
M4CF-0073-CAA-240	RST55C1E-CAA-108	17.40	21.40	11.00	1/4	3/8	22.2		2880		6070
M4CF-0077-CFA-146	RST64C1E-CFA-102						20		3890		7280
M4CF-E052-CAA-143	RST40C1E-CAA-104						12.1		2200		4470
M4CH-A036-IAA-260	ASE24C3E-IAA-103	18.00	15.74	11.73	1/4	3/8	8.4				3370
M4CL-0034-IAA-141	AFE11C3E-IAA-103						7.9		1430		
M4CL-0034-IAA-146	AFE11C3E-IAA-103	17.38	12.69	11.84	3/8	3/8	7.9		1430		
M4CL-0034-IAA-147	AFE11C3E-IAA-103	17.40	12.70	11.80	1/4	3/8	7.9		1430		

Recommended New Model	Available BOMs	Service Compressor	New L	New W	New H	New Liquid	New Suction	New MCA	New Rated Capacities			
									LT_134a	LT_404A	MT_134a	MT_404A
M7TH-0020-IAA-108	108, 118	ARE25C4E-IAA-901	19.04	8.47	10.53	1/4	5/16	6.8				1940
M7TH-0020-IAA-118	108, 118	ARE25C4E-IAA-901	19.00	9.41	10.53	1/4	5/16	6.8				1940
M7TH-0020-IAA-108	108, 118	ARE25C4E-IAA-901	19.04	8.47	10.53	1/4	5/16	6.8				1940
M7TH-0020-IAA-108	108, 118	ARE25C4E-IAA-901	19.04	8.47	10.53	1/4	5/16	6.8				1940
M7TH-0020-IAA-118	108, 118	ARE25C4E-IAA-901	19.00	9.41	10.53	1/4	5/16	6.8				1940
M7TH-0020-IAA-108	108, 118	ARE25C4E-IAA-901	19.04	8.47	10.53	1/4	5/16	6.8				1940
M7TH-0020-IAA-118	108, 118	ARE25C4E-IAA-901	19.00	9.41	10.53	1/4	5/16	6.8				1940
M7TH-0020-IAA-108	108, 118	ARE25C4E-IAA-901	19.04	8.47	10.53	1/4	5/16	6.8				1940
M7TH-0020-IAA-118	108, 118	ARE25C4E-IAA-901	19.00	9.41	10.53	1/4	5/16	6.8				1940
M7TH-0020-IAA-108	108, 118	ARE25C4E-IAA-901	19.04	8.47	10.53	1/4	5/16	6.8				1940
M7TH-0020-IAA-118	108, 118	ARE25C4E-IAA-901	19.00	9.41	10.53	1/4	5/16	6.8				1940
M7TH-0025-IAA-108	108, 118	ARE34C4E-IAA-901	19.04	8.47	10.53	1/4	5/16	6.4				2250
M7TH-0025-IAA-118	108, 118	ARE34C4E-IAA-901	19.00	9.41	10.53	1/4	5/16	6.4				2250
M7TH-0025-IAA-108	108, 118	ARE34C4E-IAA-901	19.04	8.47	10.53	1/4	5/16	6.4				2250
M7TH-0025-IAA-108	108, 118	ARE34C4E-IAA-901	19.04	8.47	10.53	1/4	5/16	6.4				2250
M7TH-0025-IAA-118	108, 118	ARE34C4E-IAA-901	19.00	9.41	10.53	1/4	5/16	6.4				2250
M7TH-0036-IAA-108	108, 118, 177	ARE48C5E-IAA-901	19.04	8.47	10.53	1/4	5/16	10.7				3370
M7TH-0036-IAA-108	108, 118, 177	ARE48C5E-IAA-901	19.04	8.47	10.53	1/4	5/16	10.7				3370
M7TH-0012-IAA-108	108, 118	ARE13C4E-IAA-901	19.04	8.47	10.53	1/4	5/16	5.9				1200
M7TH-0012-IAA-118	108, 118	ARE13C4E-IAA-901	19.00	9.41	10.53	1/4	5/16	5.9				1200
M7TH-0015-IAA-108	108, 118	ARE17C4E-IAA-901	19.04	8.47	10.53	1/4	5/16	5.9				1440
M7TH-0015-IAA-118	108, 118	ARE17C4E-IAA-901	19.00	9.41	10.53	1/4	5/16	5.9				1440
M7TH-0015-IAA-108	108, 118	ARE17C4E-IAA-901	19.04	8.47	10.53	1/4	5/16	5.9				1440
M7TH-0015-IAA-118	108, 118	ARE17C4E-IAA-901	19.00	9.41	10.53	1/4	5/16	5.9				1440
M7TH-0023-IAA-108	108, 118	ARE29C4E-IAA-901	19.04	8.47	10.53	1/4	5/16	5.5				2250
M7TH-0023-IAA-118	108, 118	ARE29C4E-IAA-901	19.00	9.41	10.53	1/4	5/16	5.5				2250
M7TH-0023-IAA-108	108, 118	ARE29C4E-IAA-901	19.04	8.47	10.53	1/4	5/16	5.5				2250
M7TH-0023-IAA-108	108, 118	ARE29C4E-IAA-901	19.04	8.47	10.53	1/4	5/16	5.5				2250
M7TH-0023-IAA-118	108, 118	ARE29C4E-IAA-901	19.00	9.41	10.53	1/4	5/16	5.5				2250
M7TH-0023-IAA-118	108, 118	ARE29C4E-IAA-901	19.00	9.41	10.53	1/4	5/16	5.5				2250
M7WH-0026-IAA-020	020	ARE29C4E-IAA-901	18.18	13.20	9.42	1/4	3/8	4.9				
M7WH-0033-IAA-020	020	ARE35C5E-IAA-901	18.18	13.21	9.92	1/4	3/8	8.6				
M7WH-0033-IAA-020	020											
M7WH-0040-IAA-020	020	ARE40C4E-IAA-901	18.18	13.21	9.92	1/4	3/8	8.8				
Obsolete												
Obsolete												
M7WH-0050-IAA-020	020	RRT62C1E-IAA-901	18.55	13.44	9.68	3/8	1/2	11.9				
M7WH-0050-IAA-020	020	RRT62C1E-IAA-901	18.55	13.44	9.68	3/8	1/2	11.9				
M7WH-0050-IAV-020	020	RRT62C1E-IAV-901	18.55	13.44	9.68	3/8	1/2	5.4				
M7WH-0056-IAA-020	020	RRT64C1E-IAA-901	18.30	12.87	9.99	3/8	1/2	13.8				
M7WH-0056-IAV-020	020	RRT64C1E-IAV-901	18.30	12.87	9.99	3/8	1/2	8				
M7WH-0050-IAA-020	020	RRT62C1E-IAA-901	18.55	13.44	9.68	3/8	1/2	11.9				
M7WH-0050-IAA-020	020	RRT62C1E-IAA-901	18.55	13.44	9.68	3/8	1/2	11.9				
M7WH-0050-IAA-020	020	RRT62C1E-IAA-901	18.55	13.44	9.68	3/8	1/2	11.9				
M7WH-0049-IAV-020	020	ARE51C4E-IAV-901	18.18	13.21	9.92	1/4	3/8	6.1				
M7WM-0075-CFA-020	020	RRT10K1E-PFA-901	24.24	16.10	13.20	3/8	5/8	17				
M7WM-0075-CFA-020	020	RRT10K1E-PFA-901	24.24	16.10	13.20	3/8	5/8	17				
M7WM-0075-CFV-020	020	RRT10K1E-PFV-901	24.24	16.10	13.20	3/8	5/8	10				
Obsolete R22 Unit												
Obsolete R22 Unit												
M6RP-H080-CAA-072	020, 072	RST55C1E-CAA-901	19.50	28.08	12.23	3/8	3/8	20.5			3450	7130
M6RP-H080-CAV-072	020, 072	RST55C1E-CAV-901	19.50	28.08	12.23	3/8	1/2	9.7			3450	7130
Contact AE			16.58	12.68	11.73	1/4	5/16	13.4			2580	4620
Contact AE			16.58	13.09	11.71	1/4	5/16	13.4			2580	4620
M6GP-H074-CAA-179	177, 179, 212, 272	RST55C1E-CAA-901	18.10	14.34	11.79	1/4		20.5			3260	6550
M6GP-H090-CFA-179	177, 179, 212, 272	RST64C1E-CFA-901	18.10	14.34	11.79	1/4		20			4010	7580
M6ZP-H059-CAA-179	177, 179, 212, 272	RST45C1E-CAA-901	16.60	14.14	11.71	1/4		14			2480	5060
M6ZM-H035-IAA-272	020, 103, 111, 212, 272,	ASE24C5E-IAA-901	16.58	13.09	11.70	1/4	3/8	8.6			1380	3140
M6ZL-H032-IAA-078	028, 078	AFE11C4E-IAA-901	16.52	13.08	11.70	1/4	3/8	6.1			1300	
M6ZL-H032-IAA-078	028, 078	AFE11C4E-IAA-901	16.52	13.08	11.70	1/4	3/8	6.1			1300	
M6ZL-H032-IAA-078	028, 078	AFE11C4E-IAA-901	16.52	13.08	11.70	1/4	3/8	6.1			1300	

Copeland to Copeland Cross Reference

Old Model	Compressor Model	Length	Width	Height	Liquid Conn.	Suction Conn.	MCA	Old Rated Capacities				
								LT_134A	LT_404A	MT_134A	MT_404A	
M4CL-0034-IAA-148	AFE11C3E-IAA-103						7.9			1430		
M4CL-0034-IAA-149	AFE11C3E-IAA-103						7.9			1430		
M4CL-0035-IAA-060	AFE13C3E-IAA-103	17.64	14.16	11.21	1/4	3/8	8.9			1960		
M4CL-0035-IAA-121	AFE13C3E-IAA-103	13.82	11.51	9.67	1/4	5/16	8.9			1960		
M4CL-0035-IAA-122	AFE13C3E-IAA-103	13.80	11.30	9.70	1/4	3/8	8.9			1960		
M4CL-0035-IAA-140	AFE13C3E-IAA-103	11.37	10.82	9.67	1/4	5/16	8.9			1960		
M4CL-0035-IAA-144	AFE13C3E-IAA-103	13.82	11.80	9.62	1/4	5/16	8.9			1960		
M4CL-0035-IAA-212	AFE13C3E-IAA-103	13.82	11.91	9.67	1/4	5/16	8.9			1960		
M4CL-0035-IAA-215	AFE13C3E-IAA-103	13.82	11.91	9.67	1/4	5/16	8.9			1960		
M4CL-0035-IAA-222	AFE13C3E-IAA-103	13.86	11.69	9.67	1/4	3/8	8.9			1960		
M4CL-0035-IAA-223	AFE13C3E-IAA-103	13.82	11.80	9.62	1/4	3/8	8.9			1960		
M4CL-0035-IAA-224	AFE13C3E-IAA-103						8.9			1960		
M4CL-0035-IAA-241	AFE13C3E-IAA-103	13.82	11.91	9.67	1/4	5/16	8.9			1960		
M4CL-0035-IAV-122	AFE13C3E-IAV-103						4.6			1960		
M4CL-0036-IAV-121	AFE13C3E-IAV-103						4.6					
M4CL-0039-IAA-153	AFE13C3E-IAA-103	21.30	13.70	9.60	1/4	3/8	8.5			1880		
M4CL-0040-IAA-060	AFE13C3E-IAA-103	17.64	13.07	11.84	1/4	3/8	8.9			2040		
M4CL-0040-IAA-061	AFE13C3E-IAA-103						8.9			2040		
M4CL-0040-IAA-141	AFE13C3E-IAA-103						8.9			2040		
M4CL-0040-IAA-146	AFE13C3E-IAA-103	17.38	12.66	11.84	3/8	3/8	8.9			2040		
M4CL-0040-IAA-147	AFE13C3E-IAA-103	17.40	12.70	11.80	1/4	3/8	8.9			2040		
M4CL-0040-IAV-146	AFE13C3E-IAV-103	17.40	12.10	11.80	3/8	3/8	4.6			2040		
M4CL-0050-IAA-140	AFE13C3E-IAA-103	18.75	13.75	12.48	1/4	5/16	8.9			2040		
M4CL-0050-IAA-146	AFE13C3E-IAA-103	18.75	13.75	12.48	1/4	5/16	8.9			2040		
M4CL-0050-IAV-140	AFE13C3E-IAV-103	20.88	13.75	12.48	1/4	5/16	4.6			2040		
M4CL-0050-IAV-146	AFE13C3E-IAV-103	23.00	13.75	12.48	1/4	5/16	4.6			2040		
M4CL-0062-CAA-140	RST55C1E-CAA-102						20.4			2880		
M4CL-0062-CAA-215	RST55C1E-CAA-102	22.46	12.96	11.73		3/8	20.4			2880		
M4CL-0075-CAB-252	RST64C1E-CAV-108	23.50	13.30	11.70	1/4	5/8	12.3			3790		
M4CL-0075-CAV-212	RST64C1E-CAV-108	23.50	13.30	11.70	1/4	5/8	12.3			3790		
M4CL-0075-CFA-115	RST64C1E-CFA-102	22.30	12.70	11.70	1/4	3/8	20			3790		
M4CL-0075-CFA-212	RST64C1E-CFA-108	23.50	13.30	11.70	1/4	5/8	20			3790		
M4CL-0075-IAV-215	RST64C1E-IAV-102	22.40	12.70	11.70	1/4	3/8	12.3			3790		
M4CL-0090-CFV-140	RFT42C1E-PFV-102	19.50	22.50	11.17	1/4	3/8	11.2			4470		
M4CL-A036-IAA-153	AFE11C3E-IAA-103	21.30	13.00	9.70	1/4	3/8	7.5			1310		
M4CL-A067-CAA-146	RFT26C1E-CAA-102	17.70	14.10	11.00	3/8	3/8	15.1			3030		
M4CL-A067-CAV-143	RFT26C1E-CAV-104	22.60	23.30	20.00		3/8	9			3030		
M4CL-F034-IAA-146	AFE11C3E-IAA-103						7.9			1350		
M4CL-F040-IAA-146	AFE13C3E-IAA-103						8.9			1830		
M4CL-F045-IAA-140	RFT22C1E-IAA-102	19.55	17.10	12.20	1/4	3/8	11.1			2290		
M4CL-F050-IAA-146	AFE17C4E-IAA-103						10.6			2000		
M4CL-H025-IAA-148	AFE08C4E-IAA-103	17.38	12.09	9.73	1/4	3/8	5.6			834		
M4CL-H025-IAA-149	AFE08C4E-IAA-103	17.38	12.09	9.73	1/4	3/8	5.6			834		
M4CL-H036-IAA-121	AFE13C4E-IAA-103						7.7			1250		
M4CL-H050-IAA-122	AFE17C4E-IAA-103						10.6			2160		
M4CL-H050-IAA-123	AFE17C4E-IAA-103						10.6			2160		
M4CL-H050-IAA-141	AFE17C4E-IAA-103						10.6			2160		
M4CL-H050-IAA-146	AFE17C4E-IAA-103	17.38	12.09	11.84	3/8	3/8	10.6			2160		
M4CL-H050-IAA-147	AFE17C4E-IAA-103	17.40	12.70	11.80	1/4	3/8	10.6			2160		
M4CL-H050-IAV-146	AFE17C4E-IAV-103						5.6			2160		
M4CL-H051-IAA-140	AFE17C4E-IAA-103						10.4					
M4CM-H021-IAA-140	ASE12C4E-IAA-103						5.5					1580
M4CM-H021-IAA-143	ASE12C4E-IAA-103						5.5					1580
M4EF-0050-IAA-212	RST45C1E-IAA-108	17.00	15.50	11.80	1/4	1/2	14			2220		4380
M4EF-0050-IAA-252	RST45C1E-IAA-108	17.00	15.50	11.80	1/4	1/2	14			2220		4380
M4EF-0058-IAA-072	RST45C1E-IAA-108	24.00	17.10	13.59	3/8	1/2	15.1			2470		5250
M4EF-0058-IAA-272	RST45C1E-IAA-108	24.00	17.20	13.70	3/8	1/2	15.1			2470		5250
M4EF-0058-IAA-278	RST45C1E-IAA-108	24.00	17.20	13.70	1/2	3/8	15.1			2470		5250
M4EF-0075-CAA-212	RST55C1E-CAA-108	24.00	16.80	13.70	3/8	3/8	20.8			3080		6620
M4EF-0075-CAA-252	RST55C1E-CAA-108	24.00	16.80	13.70	3/8	5/8	20.8			3080		6620
M4EF-0080-CAV-240	RST64C1E-CAV-102	24.00	16.80	13.70	3/8	3/8	12.4			3880		7640
M4EF-0080-CAV-252	RST64C1E-CAV-108	24.00	16.80	13.70	3/8	5/8	12.4			3880		7640

Recommended New Model	Available BOMs	Service Compressor	New L	New W	New H	New Liquid	New Suction	New MCA	New Rated Capacities				
									LT_134a	LT_404A	MT_134a	MT_404A	
M6ZL-H032-IAA-078	028, 078	AFE11C4E-IAA-901	16.52	13.08	11.70	1/4	3/8	6.1			1300		
M6ZL-H032-IAA-078	028, 078	AFE11C4E-IAA-901	16.52	13.08	11.70	1/4	3/8	6.1			1300		
M6JL-H041-IAA-272	177, 179, 212, 272	AFE14C5E-IAA-901	14.41	12.12	11.37	1/4	3/8	8.2			1730		
M6JL-H041-IAA-177	177, 179, 212, 272	AFE14C5E-IAA-901	14.39	11.57	11.37	1/4	3/8	8.2			1730		
M6JL-H041-IAA-179	177, 179, 212, 272	AFE14C5E-IAA-901	13.96	11.56	9.67	1/4		8.2			1730		
M6JL-H041-IAA-272	177, 179, 212, 272	AFE14C5E-IAA-901	14.41	12.12	11.37	1/4	3/8	8.2			1730		
M6JL-H041-IAA-179	177, 179, 212, 272	AFE14C5E-IAA-901	13.96	11.56	9.67	1/4		8.2			1730		
M6JL-H041-IAA-177	177, 179, 212, 272	AFE14C5E-IAA-901	14.39	11.57	11.37	1/4	3/8	8.2			1730		
M6JL-H041-IAA-272	177, 179, 212, 272	AFE14C5E-IAA-901	14.41	12.12	11.37	1/4	3/8	8.2			1730		
M6JL-H041-IAA-272	177, 179, 212, 272	AFE14C5E-IAA-901	14.41	12.12	11.37	1/4	3/8	8.2			1730		
M6JL-H041-IAA-272	177, 179, 212, 272	AFE14C5E-IAA-901	14.41	12.12	11.37	1/4	3/8	8.2			1730		
M6JL-H041-IAA-272	177, 179, 212, 272	AFE14C5E-IAA-901	14.41	12.12	11.37	1/4	3/8	8.2			1730		
M6JL-H041-IAA-272	177, 179, 212, 272	AFE14C5E-IAA-901	14.41	12.12	11.37	1/4	3/8	8.2			1730		
M6JL-H048-IAV-179	028, 078, 177, 179	AFE17C4E-IAV-901	13.96	11.56	9.67	1/4		5.6			1940		
M6JL-H048-IAV-179	028, 078, 177, 179	AFE17C4E-IAV-901	13.96	11.56	9.67	1/4		5.6			1940		
Contact AE			14.39	11.57	11.37	1/4	3/8	10.4			1940		
M6ZL-0042-IAA-272	177, 179, 212, 272	AFE14C5E-IAA-901	16.58	13.09	11.71	1/4	5/16	8.4			1780		
M6ZL-0042-IAA-272	177, 179, 212, 272	AFE14C5E-IAA-901	16.58	13.09	11.71	1/4	5/16	8.4			1780		
M6ZL-0042-IAA-179	177, 179, 212, 272	AFE14C5E-IAA-901	16.18	13.32	11.73	1/4	5/16	8.4			1780		
M6ZL-0042-IAA-179	177, 179, 212, 272	AFE14C5E-IAA-901	16.18	13.32	11.73	1/4	5/16	8.4			1780		
M6ZL-0042-IAV-179	028, 078, 177, 179	AFE14C5E-IAV-901	16.18	13.32	11.73	1/4	5/16	4.4			1780		
M6ZL-0042-IAA-179	177, 179, 212, 272	AFE14C5E-IAA-901	16.18	13.32	11.73	1/4	5/16	8.4			1780		
M6ZL-0042-IAA-179	177, 179, 212, 272	AFE14C5E-IAA-901	16.18	13.32	11.73	1/4	5/16	8.4			1780		
M6ZL-0042-IAA-179	177, 179, 212, 272	AFE14C5E-IAA-901	16.18	13.32	11.73	1/4	5/16	8.4			1780		
M6ZL-H044-IAV-078	028, 078	AFE14C5E-IAV-901	16.58	13.09	11.70	1/4	3/8	4.4			1820		
M6ZL-H044-IAV-078	028, 078	AFE14C5E-IAV-901	16.58	13.09	11.70	1/4	3/8	4.4			1820		
Contact AE			14.41	12.01	11.37	1/4	5/16	12.3			2830		
Contact AE			14.41	12.01	11.37	1/4	5/16	12.3			2830		
Contact AE			18.84	14.34	12.29	3/8	1/2	12.3			4010		7580
Contact AE			18.82	14.34	12.29	3/8		12.3			4010		7580
Contact AE			18.10	14.34	11.79	1/4		20			4010		7580
Contact AE			18.82	14.34	12.29	3/8		20			4010		7580
Contact AE			18.86	14.34	11.79	3/8		9.5			3260		6550
M6ZL-0098-CFV-179	212	RST80C1E-PFV-901	16.46	14.14	12.18	1/4		12.2			4190		7210
Contact AE			19.90	11.21	10.65	1/4	5/16	6.1			1260		
M6QL-H074-CAA-272	212, 272	AFE26C5E-CAA-901	15.66	12.01	11.37	1/4	5/16	12.3			2890		
M6ZL-H078-IAV-272	177, 179, 212, 272	RFT26C1E-IAV-901	17.45	13.57	11.71	3/8	3/8	8.6			3100		
M6ZL-0031-IAA-179	028, 078, 177, 179	AFE11C4E-IAA-901	16.18	13.32	11.73	1/4	5/16	6.1			1270		
M6ZL-0042-IAA-179	177, 179, 212, 272	AFE14C5E-IAA-901	16.18	13.32	11.73	1/4	5/16	8.4			1780		
M6ZL-0063-IAA-179	177, 179, 212, 272	RFT22C1E-IAA-901	16.60	14.18	11.73	1/4		10.9					
M6ZL-0055-IAA-179	177, 179, 212, 272	AFE20C5E-IAA-901	16.18	13.32	11.73	1/4	5/16	8.8			2350		
M6JL-0021-IAA-179	028, 078, 177, 179	AFE08C4E-IAA-901	13.91	11.46	9.61	1/4	3/8	5.5			872		
M6JL-0021-IAA-179	028, 078, 177, 179	AFE08C4E-IAA-901	13.91	11.46	9.61	1/4	3/8	5.5			872		
Obsolete													
M6ZL-0055-IAA-179	177, 179, 212, 272	AFE20C5E-IAA-901	16.18	13.32	11.73	1/4	5/16	8.8			2350		
M6ZL-0055-IAA-179	177, 179, 212, 272	AFE20C5E-IAA-901	16.18	13.32	11.73	1/4	5/16	8.8			2350		
M6ZL-0055-IAA-179	177, 179, 212, 272	AFE20C5E-IAA-901	16.18	13.32	11.73	1/4	5/16	8.8			2350		
M6ZL-0055-IAA-179	177, 179, 212, 272	AFE20C5E-IAA-901	16.18	13.32	11.73	1/4	5/16	8.8			2350		
M6ZL-0055-IAA-179	177, 179, 212, 272	AFE20C5E-IAA-901	16.18	13.32	11.73	1/4	5/16	8.8			2350		
M6ZL-0055-IAV-179	028, 078, 177, 179	AFE20C5E-IAV-901	16.18	13.32	11.73	1/4	5/16	6			2350		
M6GL-H057-IAA-272	212, 272	AFE17C4E-IAA-901	18.10	14.34	11.83	1/4	3/8	11.5			2130		
M6JM-0017-IAA-179	028, 078, 177, 179	ASE12C4E-IAA-901	13.91	11.46	9.61	1/4	3/8	5.4			785		1620
M6JM-0017-IAA-179	028, 078, 177, 179	ASE12C4E-IAA-901	13.91	11.46	9.61	1/4	3/8	5.4			785		1620
M6EP-H056-IAA-103	103, 111, 212	RST45C1E-IAA-901	16.26	15.66	11.75	1/4	3/8	14			2340		4660
M6EP-H056-IAA-103	103, 111, 212	RST45C1E-IAA-901	16.26	15.66	11.75	1/4	3/8	14			2340		4660
M6BP-0064-CAA-272	177, 179, 212, 272	RST45C1E-CAA-901	24.00	16.82	13.64	3/8	3/8	15.1			2600		5560
M6BP-0064-CAA-272	177, 179, 212, 272	RST45C1E-CAA-901	24.00	16.82	13.64	3/8	3/8	15.1			2600		5560
M6BP-0064-CAA-177	177, 179, 212, 272	RST45C1E-CAA-901	24.00	16.69	13.64	3/8	3/8	15.1			2600		5560
M6BP-0075-CAA-177	177, 179, 212, 272	RST55C1E-CAA-901	24.00	16.69	13.64	3/8	3/8	20.8			3290		6660
M6BP-0075-CAA-177	177, 179, 212, 272	RST55C1E-CAA-901	24.00	16.69	13.64	3/8	3/8	20.8			3290		6660
M6BP-0092-CAV-272	177, 179, 212, 272	RST64C1E-CAV-901	24.00	16.85	13.64	3/8	3/8	12.4			4050		7750
M6BP-0092-CAV-177	177, 179, 212, 272	RST64C1E-CAV-901	24.00	16.72	13.64	3/8	3/8	12.4			4050		7750

Copeland to Copeland Cross Reference

Old Model	Compressor Model	Length	Width	Height	Liquid Conn.	Suction Conn.	MCA	Old Rated Capacities			
								LT_134A	LT_404A	MT_134A	MT_404A
M4EF-0080-CFA-121	RST64C1E-CFA-102	24.00	16.70	13.70	3/8	1/2	20.3		3880		7640
M4EF-0080-CFA-141	RST64C1E-CFA-102	24.10	16.80	13.70	1/4	3/8	20.3		3880		7640
M4EF-0080-CFA-152	RST64C1E-CFA-102	24.00	16.70	13.70	3/8	1/2	20.3		3880		7640
M4EF-0080-CFA-212	RST64C1E-CFA-108	24.00	17.10	13.80	3/8	5/8	20.3		3880		7640
M4EF-0080-IAV-140	RST64C1E-IAV-102	24.00	16.80	13.70	1/4	3/8	12.4		3880		7640
M4EH-0025-IAA-212	ASE19C3E-IAA-103	10.52	16.00	14.25	1/4	3/8	10.7				2430
M4EH-0049-CAA-020	ASE32C3E-CAA-103	16.00	15.12	11.75	1/4	3/8	12.3				3970
M4EH-0049-CAA-103	ASE32C3E-CAA-103	16.00	15.20	11.75	1/4	3/8	12.3				3970
M4EH-0049-CAA-144	ASE32C3E-CAA-103	16.01	15.20	11.75	1/4	5/16	12.3				3970
M4EH-0049-CAA-208	ASE32C3E-CAA-103	16.17	15.29	11.78	1/4	3/8	12.3				3970
M4EH-0049-CAA-212	ASE32C3E-CAA-103	16.17	15.29	11.78	1/4	3/8	12.3				3970
M4EH-0049-CAA-244	ASE32C3E-CAA-103	16.04	15.29	11.82	1/4	5/16	12.3				3970
M4EH-0049-CAV-212	ASE32C3E-CAV-103	16.17	15.29	11.78	1/4	3/8	6.7				3970
M4EH-A035-IAA-103	ASE24C3E-IAA-103	16.00	15.20	11.78	1/4	3/8	8.4				3100
M4EH-A035-IAA-111	ASE24C3E-IAA-103	16.00	15.20	11.78	1/4	3/8	8.4				3100
M4EH-A035-IAA-208	ASE24C3E-IAA-103	16.00	15.20	11.78	1/4	3/8	8.4				3100
M4EH-A035-IAA-212	ASE24C3E-IAA-103	16.17	15.29	11.78	1/4	3/8	8.4				3100
M4EH-A035-IAV-212	ASE24C3E-IAV-103	16.17	15.29	11.78	1/4	3/8	5.9				3100
M4EL-0033-IAA-103	AFE11C3E-IAA-103	14.25	16.00	10.52	1/4	3/8	7.7		1390		
M4EL-0033-IAA-212	AFE11C3E-IAA-103	14.25	16.00	10.52	1/4	3/8	7.7		1390		
M4EL-0039-IAA-111	AFE13C3E-IAA-103	16.00	15.20	11.78	1/4	3/8	8.9		1980		
M4EL-0039-IAA-212	AFE13C3E-IAA-103	16.00	15.29	11.78	1/4	3/8	8.9		1980		
M4EL-0063-CAA-121	RFT26C1E-CAA-102						14.3		2740		
M4EL-A055-IAA-140	RFT22C1E-IAA-102	16.00	15.50	11.80	1/4	3/8	10.9		2320		
M4EL-A055-IAA-141	RFT22C1E-IAA-102	16.00	15.50	11.80	1/4	3/8	10.9		2320		
M4EL-H050-IAA-103	AFE17C4E-IAA-103	16.00	15.00	11.77	1/4	3/8	10.6		2130		
M4EL-H050-IAA-212	AFE17C4E-IAA-103	16.03	15.12	11.77	1/4	3/8	10.6		2130		
M4FF-0050-CAA-141	RST45C1E-CAA-102						14		2350		4660
M4FF-0050-IAA-141	RST45C1E-IAA-102	16.13	13.41	11.73	1/4	3/8	14		2350		4660
M4FF-0050-IAA-160	RST45C1E-IAA-102	16.13	13.52	11.74	1/4	3/8	14		2350		4660
M4FF-0050-IAA-208	RST45C1E-IAA-108	16.20	13.10	11.70	1/4	1/2	14		2350		4660
M4FF-0050-IAA-210	RST45C1E-IAA-108	16.20	13.10	11.70	1/4	1/2	14		2350		4660
M4FF-0050-IAA-212	RST45C1E-IAA-108	16.10	13.70	11.70	1/4	1/2	14		2350		4660
M4FF-0050-IAA-221	RST45C1E-IAA-108	16.10	13.70	11.70	1/4	1/2	14		2350		4660
M4FF-0050-IAA-252	RST45C1E-IAA-108	16.00	13.70	11.70	1/4	1/2	14		2350		4660
M4FF-0050-IAB-252	RST45C1E-IAV-109	16.10	13.70	11.70	1/4	1/2	7		2350		4660
M4FF-0050-IAV-141	RST45C1E-IAV-104						7.2		2350		4660
M4FF-0050-IAV-212	RST45C1E-IAV-109	16.10	13.70	11.70	1/4	1/2	7.2		2350		4660
M4FF-0056-CAA-172	RST45C1E-CAA-102						14.8		2460		5180
M4FF-0056-CAA-212	RST45C1E-CAA-108	17.40	14.40	11.80	1/4	5/8	14.8		2460		5180
M4FF-0056-CAA-222	RST45C1E-CAA-108	17.50	14.40	11.80	1/4	1/2	14.8		2460		5180
M4FF-0056-IAA-020	RST45C1E-IAA-108	17.50	15.50	11.82	1/4	5/8	14.8		2460		5180
M4FF-0056-IAA-040	RST45C1E-IAA-108	17.50	14.38	11.82	3/8	1/2	14.8		2460		5180
M4FF-0056-IAA-041	RST45C1E-IAA-108	17.40	14.40	11.80	1/4	5/8	14.8		2460		5180
M4FF-0056-IAA-060	RST45C1E-IAA-108	22.20	14.40	14.90	1/4	3/8	14.8		2460		5180
M4FF-0056-IAA-062	RST45C1E-IAA-108	17.40	14.40	11.80	1/4	1/2	14.8		2460		5180
M4FF-0056-IAA-065	RST45C1E-IAA-102	17.40	16.90	11.80	1/4	1/2	14.8		2460		5180
M4FF-0056-IAA-076	RST45C1E-IAA-108	18.40	15.10	11.98	1/4	1/2	14.8		2460		5180
M4FF-0056-IAA-077	RST45C1E-IAA-108	18.50	15.20	11.98	1/4	1/2	14.8		2460		5180
M4FF-0056-IAA-103	RST45C1E-IAA-108	17.40	14.00	11.80	1/4	5/8	14.8		2460		5180
M4FF-0056-IAA-115	RST45C1E-IAA-108	17.40	14.10	11.80	1/4	1/2	14.8		2460		5180
M4FF-0056-IAA-116	RST45C1E-IAA-108	17.40	14.10	11.80	1/4	1/2	14.8		2460		5180
M4FF-0056-IAA-119	RST45C1E-IAA-108	17.40	14.00	11.80	1/4	1/2	14.8		2460		5180
M4FF-0056-IAA-120	RST45C1E-IAA-108	17.40	14.00	11.80	1/4	5/8	14.8		2460		5180
M4FF-0056-IAA-122	RST45C1E-IAA-108	17.40	14.00	11.80	1/4	1/2	14.5		2460		5180
M4FF-0056-IAA-153	RST45C1E-IAA-108	23.80	14.00	11.80	1/4	5/8	14.8		2460		5180
M4FF-0056-IAA-160	RST45C1E-IAA-102	17.50	14.00	11.80	1/4	3/8	14.8		2460		5180
M4FF-0056-IAA-176	RST45C1E-IAA-108	17.38	14.38	12.87	1/4	3/8	14.8		2460		5180
M4FF-0056-IAA-212	RST45C1E-IAA-108	17.40	14.40	11.80	1/4	5/8	14.8		2460		5180
M4FF-0056-IAA-214	RST45C1E-IAA-102	17.40	14.40	11.80	1/4	3/8	14.8		2460		5180
M4FF-0056-IAA-215	RST45C1E-IAA-102	17.40	14.40	11.80	1/4	1 1/2	14.8		2460		5180
M4FF-0056-IAA-221	RST45C1E-IAA-108	17.50	14.40	11.80	3/8	1/2	14.8		2460		5180

Rcommended New Model	Available BOMs	Service Compressor	New L	New W	New H	New Liquid	New Suction	New MCA	New Rated Capacities			
									LT_134a	LT_404A	MT_134a	MT_404A
M6BP-0092-CFA-177	177, 179, 212, 272	RST64C1E-CFA-901	24.00	16.29	13.64	3/8	3/8	20.3		4050		7750
M6BP-0092-CFA-177	177, 179, 212, 272	RST64C1E-CFA-901	24.00	16.29	13.64	3/8	3/8	20.3		4050		7750
M6BP-0092-CFA-177	177, 179, 212, 272	RST64C1E-CFA-901	24.00	16.29	13.64	3/8	3/8	20.3		4050		7750
M6BP-0092-CFA-177	177, 179, 212, 272	RST64C1E-CFA-901	24.00	16.29	13.64	3/8	3/8	20.3		4050		7750
M6BP-0092-CAV-177	177, 179, 212, 272	RST64C1E-CAV-901	24.00	16.72	13.64	3/8	3/8	12.4		4050		7750
M6EM-H026-IAA-103	028, 103, 111	ASE14C4E-IAA-901	16.06	15.12	11.75	1/4	5/16	6.7		1080		2260
M6EM-H040-IAA-103	103, 111, 212	ASE28C5E-IAA-901	16.06	15.12	11.75	1/4	5/16	9.9		1960		3580
M6EM-H040-IAA-103	103, 111, 212	ASE28C5E-IAA-901	16.06	15.12	11.75	1/4	5/16	9.9		1960		3580
M6EM-H040-IAA-103	103, 111, 212	ASE28C5E-IAA-901	16.06	15.12	11.75	1/4	5/16	9.9		1960		3580
M6EM-H040-IAA-111	103, 111, 212	ASE28C5E-IAA-901	16.06	15.12	11.75	1/4	5/16	9.9		1960		3580
M6EM-H040-IAA-103	103, 111, 212	ASE28C5E-IAA-901	16.06	15.12	11.75	1/4	5/16	9.9		1960		3580
M6EM-H040-IAA-103	103, 111, 212	ASE28C5E-IAA-901	16.06	15.12	11.75	1/4	5/16	9.9		1960		3580
Obsolete												
M6EM-H034-IAA-103	103, 111, 212	ASE24C5E-IAA-901	16.06	15.12	11.75	1/4	5/16	8.6		1340		3030
M6EM-H034-IAA-111	103, 111, 212	ASE24C5E-IAA-901	16.06	15.12	11.75	1/4	5/16	8.6		1340		3030
M6EM-H034-IAA-111	103, 111, 212	ASE24C5E-IAA-901	16.06	15.12	11.75	1/4	5/16	8.6		1340		3030
M6EM-H034-IAA-103	103, 111, 212	ASE24C5E-IAA-901	16.06	15.12	11.75	1/4	5/16	8.6		1340		3030
M6EM-H034-IAA-103	103, 111, 212	ASE24C5E-IAA-901	16.06	15.12	11.75	1/4	5/16	8.6		1340		3030
M6EL-0038-IAA-103	028, 103, 111	AFE13C4E-IAA-901	16.00	14.25	10.52	1/4	5/16	7.7		1610		1610
M6EL-0038-IAA-103	028, 103, 111	AFE13C4E-IAA-901	16.00	14.25	10.52	1/4	5/16	7.7		1610		1610
M6EL-0048-CAA-111	103, 111, 212	AFE17C4E-CAA-901	16.00	14.25	10.52		5/16	10.4		2070		2070
M6EL-0048-CAA-212	103, 111, 212	AFE17C4E-CAA-901	16.00	14.25	10.47	1/4	5/16	10.4		2070		2070
M6EL-0060-CAA-103	103, 111, 212	AFE23C5E-CAA-901	16.00	14.25	10.47	1/4	5/16	10		2850		2850
M6EL-H056-IAA-103	103, 111, 212	AFE20C5E-IAA-901	16.06	15.12	11.75	1/4	5/16	8.8		2330		2330
M6EL-H056-IAA-103	103, 111, 212	AFE20C5E-IAA-901	16.06	15.12	11.75	1/4	5/16	8.8		2330		2330
M6EL-0052-IAA-103	103, 111, 212	AFE20C5E-IAA-901	16.00	14.25	10.52	1/4	5/16	8.5		2240		2240
M6EL-0052-IAA-103	103, 111, 212	AFE20C5E-IAA-901	16.00	14.25	10.52	1/4	5/16	8.5		2240		2240
M6ZP-0053-IAA-179	177, 179, 212, 272	RST45C1E-IAA-901	16.60	14.18	11.73	1/4		14		2460		4980
M6ZP-0053-IAA-179	177, 179, 212, 272	RST45C1E-IAA-901	16.60	14.18	11.73	1/4		14		2460		4980
M6ZP-0053-IAA-177	177, 179, 212, 272	RST45C1E-IAA-901	17.36	13.52	11.75	3/8		14		2460		4980
M6ZP-0053-IAA-179	177, 179, 212, 272	RST45C1E-IAA-901	16.60	14.18	11.73	1/4		14		2460		4980
M6ZP-0053-IAA-179	177, 179, 212, 272	RST45C1E-IAA-901	16.60	14.18	11.73	1/4		14		2460		4980
M6ZP-0053-IAA-177	177, 179, 212, 272	RST45C1E-IAA-901	17.36	13.52	11.75	3/8		14		2460		4980
M6ZP-0053-IAA-272	177, 179, 212, 272	RST45C1E-IAA-901	17.36	13.67	11.71	3/8	3/8	14		2460		4980
M6ZP-0053-IAA-272	177, 179, 212, 272	RST45C1E-IAA-901	17.36	13.67	11.71	3/8	3/8	14		2460		4980
M6ZP-0053-IAV-078	028, 078, 177, 179	RST45C1E-IAV-901	17.36	13.68	11.71	3/8	3/8	7.2		2460		4980
M6ZP-0053-IAV-078	028, 078, 177, 179	RST45C1E-IAV-901	17.36	13.68	11.71	3/8	3/8	7.2		2460		4980
M6ZP-0053-IAV-177	028, 078, 177, 179	RST45C1E-IAV-901	17.36	13.55	11.75	3/8		7.2		2460		4980
M6GP-H064-CAA-177	177, 179, 212, 272	RST45C1E-CAA-901	18.86	14.34	11.79	3/8		14.8		2580		5490
M6GP-H064-CAA-177	177, 179, 212, 272	RST45C1E-CAA-901	18.88	14.34	11.83	3/8	1/2	14.8		2580		5490
M6GP-H064-CAA-272	177, 179, 212, 272	RST45C1E-CAA-901	18.88	14.34	11.83	3/8	1/2	14.8		2580		5490
M6GP-H064-CAA-272	177, 179, 212, 272	RST45C1E-CAA-901	18.88	14.34	11.83	3/8	1/2	14.8		2580		5490
M6GP-H064-CAA-272	177, 179, 212, 272	RST45C1E-CAA-901	18.88	14.34	11.83	3/8	1/2	14.8		2580		5490
M6GP-H064-CAA-272	177, 179, 212, 272	RST45C1E-CAA-901	18.88	14.34	11.83	3/8	1/2	14.8		2580		5490
M6GP-H064-CAA-272	177, 179, 212, 272	RST45C1E-CAA-901	18.88	14.34	11.83	3/8	1/2	14.8		2580		5490
M6GP-H064-CAA-272	177, 179, 212, 272	RST45C1E-CAA-901	18.88	14.34	11.83	3/8	1/2	14.8		2580		5490
M6GP-H064-CAA-272	177, 179, 212, 272	RST45C1E-CAA-901	18.88	14.34	11.83	3/8	1/2	14.8		2580		5490
M6GP-H064-CAA-177	177, 179, 212, 272	RST45C1E-CAA-901	18.86	14.34	11.79	3/8		14.8		2580		5490
M6GP-H064-CAA-177	177, 179, 212, 272	RST45C1E-CAA-901	18.86	14.34	11.79	3/8		14.8		2580		5490
M6GP-H064-CAA-177	177, 179, 212, 272	RST45C1E-CAA-901	18.86	14.34	11.79	3/8		14.8		2580		5490
M6GP-H064-CAA-179	177, 179, 212, 272	RST45C1E-CAA-901	18.10	14.34	11.79	1/4		14.8		2580		5490
M6GP-H064-CAA-179	177, 179, 212, 272	RST45C1E-CAA-901	18.10	14.34	11.79	1/4		14.8		2580		5490
M6GP-H064-CAA-179	177, 179, 212, 272	RST45C1E-CAA-901	18.10	14.34	11.79	1/4		14.8		2580		5490
M6GP-H064-CAA-177	177, 179, 212, 272	RST45C1E-CAA-901	18.86	14.34	11.79	3/8		14.8		2580		5490
M6GP-H064-CAA-272	177, 179, 212, 272	RST45C1E-CAA-901	18.88	14.34	11.83	3/8	1/2	14.8		2580		5490
M6GP-H064-CAA-272	177, 179, 212, 272	RST45C1E-CAA-901	18.88	14.34	11.83	3/8	1/2	14.8		2580		5490
M6GP-H064-CAA-177	177, 179, 212, 272	RST45C1E-CAA-901	18.88	14.34	11.83	3/8	1/2	14.8		2580		5490
M6GP-H064-CAA-179	177, 179, 212, 272	RST45C1E-CAA-901	18.10	14.34	11.79	1/4		14.8		2580		5490
M6GP-H064-CAA-272	177, 179, 212, 272	RST45C1E-CAA-901	18.88	14.34	11.83	3/8	1/2	14.8		2580		5490
M6GP-H064-CAA-272	177, 179, 212, 272	RST45C1E-CAA-901	18.88	14.34	11.83	3/8	1/2	14.8		2580		5490

Copeland to Copeland Cross Reference

Old Model	Compressor Model	Length	Width	Height	Liquid Conn.	Suction Conn.	MCA	Old Rated Capacities			
								LT_134A	LT_404A	MT_134A	MT_404A
M4FF-0056-IAA-222	RST45C1E-IAA-108	17.40	14.40	11.80	1/4	5/8	14.8		2460		5180
M4FF-0056-IAA-252	RST45C1E-IAA-108	17.40	14.40	11.80	1/4	5/8	14.8		2460		5180
M4FF-0056-IAA-272	RST45C1E-IAA-108	17.40	14.40	11.80	1/4	5/8	14.8		2460		5180
M4FF-0056-IAB-252	RST45C1E-IAV-109	17.40	14.40	11.80	1/4	5/8	7.2		2460		5180
M4FF-0056-IAV-020	RST45C1E-IAV-109	17.40	14.40	11.80	1/4	5/8	7.6		2540		5350
M4FF-0056-IAV-040	RST45C1E-IAV-109	19.50	18.80	12.01	5/8	1 1/16	7.6		2540		5350
M4FF-0056-IAV-041	RST45C1E-IAV-109	17.50	17.40	11.80	1/2	5/8	7.6		2540		5350
M4FF-0056-IAV-0H3	RST45C1E-IAV-109	24.50	21.20	18.60	1/4	5/8	7.6		2540		5350
M4FF-0056-IAV-103	RST45C1E-IAV-109	17.40	14.00	11.80	1/4	5/8	7.6		2540		5350
M4FF-0056-IAV-141	RST45C1E-IAV-109	17.50	17.42	12.11	1/4	5/8	7.6		2540		5350
M4FF-0056-IAV-160	RST45C1E-IAV-104	17.40	14.00	11.80	1/4	3/8	7.6		2540		5350
M4FF-0056-IAV-212	RST45C1E-IAV-109	17.40	14.40	11.80	1/4	5/8	7.6		2540		5350
M4FF-0056-IAV-240	RST45C1E-IAV-109	23.80	15.10	11.80	1/4	5/8	7.6		2540		5350
M4FF-0056-IAV-272	RST45C1E-IAV-109	17.40	14.40	11.80	1/4	5/8	7.6		2540		5350
M4FF-0057-IAA-140	RST45C1E-IAA-108	17.50	12.70	11.80	1/4	1/2	14.8		2320		4730
M4FF-0059-IAA-272	RST45C1E-IAA-108	24.00	17.18	13.03	3/8	5/8	15.1		2600		5590
M4FF-0059-IAV-045	RST45C1E-IAV-109	28.90	18.30	15.70	5/8	1 1/16	7.5		2600		5590
M4FF-0059-IAV-272	RST45C1E-IAV-109	24.00	17.50	13.03	3/8	5/8	7.8		2600		5590
M4FF-0075-CAA-020	RST55C1E-CAA-108	24.00	16.90	13.10	3/8	5/8	20.8		3090		6660
M4FF-0075-CAA-021	RST55C1E-CAA-108	24.00	17.06	13.07	3/8	5/8	20.8		3090		6660
M4FF-0075-CAA-050	RST55C1E-CAA-108	24.00	16.90	13.10	3/8	5/8	20.8		3090		6660
M4FF-0075-CAA-123	RST55C1E-CAA-108	24.00	16.30	13.10	1/4	1/2	20.8		3090		6660
M4FF-0075-CAA-160	RST55C1E-CAA-102	24.00	17.10	13.10	3/8	3/8	20.8		3090		6660
M4FF-0075-CAA-212	RST55C1E-CAA-108	24.00	16.90	13.10	3/8	5/8	20.8		3090		6660
M4FF-0075-CAA-221	RST55C1E-CAA-108	24.00	16.90	13.10	3/8	1/2	20.8		3090		6660
M4FF-0075-CAA-272	RST55C1E-CAA-108	24.00	16.90	13.10	3/8	5/8	20.8		3090		6660
M4FF-0075-CAV-020	RST55C1E-CAV-109	24.00	16.30	13.10	3/8	5/8	9.7		3090		6660
M4FF-0075-CAV-041	RST55C1E-CAV-109	24.00	17.10	13.10	3/8	5/8	9.7		3090		6660
M4FF-0075-CAV-050	RST55C1E-CAV-109	24.00	17.00	13.10	3/8	5/8	9.7		3090		6660
M4FF-0075-CAV-0H2	RST55C1E-CAV-109	30.23	24.86	22.61	1/4	5/8	9.6		3090		6660
M4FF-0075-CAV-121	RST55C1E-CAV-109	24.00	17.00	13.10	3/8	5/8	9.7		3090		6660
M4FF-0075-CAV-160	RST55C1E-CAV-104	17.50	14.00	11.80	1/4	5/8	9.7		3090		6660
M4FF-0075-CAV-212	RST55C1E-CAV-109	24.00	16.90	13.10	3/8	5/8	9.7		3090		6660
M4FF-0075-CAV-272	RST55C1E-CAV-109	24.00	16.90	13.10	3/8	5/8	9.7		3090		6660
M4FF-0077-CAV-221	RST64C1E-CAV-108	17.50	14.40	11.80	1/4	1/2	12.3		3840		7480
M4FF-0077-CFA-104	RST64C1E-CFA-108	17.50	14.40	11.80	1/4	5/8	20		3840		7480
M4FF-0077-CFA-116	RST64C1E-CFA-108	17.50	14.00	11.80	1/4	1/2	20		3840		7480
M4FF-0077-CFA-140	RST64C1E-CFA-102	17.50	14.40	11.80	1/4	3/8	20		3840		7480
M4FF-0077-CFA-141	RST64C1E-CFA-102	17.50	14.40	11.80	1/4	3/8	20		3840		7480
M4FF-0077-CFA-208	RST64C1E-CFA-108	17.50	14.40	11.80	1/4	1/2	20		3840		7480
M4FF-0077-CFA-212	RST64C1E-CFA-108	17.50	14.40	11.80	1/4	5/8	20		3840		7480
M4FF-0077-CFA-240	RST64C1E-CFA-108	23.90	15.00	11.80	1/4	5/8	20		3840		7480
M4FF-0077-IAB-252	RST64C1E-IAV-108	17.50	14.40	11.80	1/4	5/8	11.8		3840		7480
M4FF-0077-IAV-123	RST64C1E-IAV-108	17.50	14.00	11.80	1/4	5/8	12.3		3840		7480
M4FF-0077-IAV-172	RST64C1E-IAV-102	17.38	13.99	11.82	1/4	3/8	12.3		3840		7480
M4FF-0077-IAV-208	RST64C1E-IAV-108	17.50	14.40	11.80	1/4	5/8	12.3		3840		7480
M4FF-0077-IAV-212	RST64C1E-IAV-108	17.50	14.40	11.80	1/4	5/8	12.3		3840		7480
M4FF-0077-IAV-221	RST64C1E-IAV-108	17.50	14.40	11.80	1/4	1/2	12.3		3840		7480
M4FF-0080-CAV-020	RST64C1E-CAV-108	24.00	16.80	13.10	3/8	5/8	12.4		3880		7640
M4FF-0080-CAV-021	RST64C1E-CAV-108	24.00	16.80	13.10	3/8	5/8	12.4		3880		7640
M4FF-0080-CAV-050	RST64C1E-CAV-108	24.00	16.80	13.10	3/8	5/8	12.4		3880		7640
M4FF-0080-CAV-072	RST64C1E-CAV-108	24.00	16.80	13.10	3/8	5/8	12.4		3880		7640
M4FF-0080-CAV-0H3	RST64C1E-CAV-108	30.23	25.29	22.61	1/4	5/8	12.3		3880		7640
M4FF-0080-CAV-207	RST64C1E-CAV-108	24.00	16.85	13.07	3/8	1/2	12.4		3880		7640
M4FF-0080-CAV-212	RST64C1E-CAV-108	24.00	16.80	13.10	3/8	5/8	12.4		3880		7640
M4FF-0080-CAV-221	RST64C1E-CAV-108						12.4		3880		7640
M4FF-0080-CAV-252	RST64C1E-CAV-108	24.00	16.80	13.10	3/8	5/8	12.4		3880		7640
M4FF-0080-CFA-017	RST64C1E-CFA-108	24.00	16.30	13.10	3/8	5/8	20.3		3880		7640
M4FF-0080-CFA-020	RST64C1E-CFA-108	24.00	16.80	13.10	3/8	5/8	20.3		3880		7640
M4FF-0080-CFA-207	RST64C1E-CFA-108	24.00	16.80	13.10	3/8	1/2	20.3		3880		7640
M4FF-0080-CFA-212	RST64C1E-CFA-108	24.00	16.80	13.10	3/8	5/8	20.3		3880		7640
M4FF-0080-CFA-240	RST64C1E-CFA-108	24.00	22.60	13.10	3/8	5/8	20.3		3880		7640

Copeland to Copeland Cross Reference

Old Model	Compressor Model	Length	Width	Height	Liquid Conn.	Suction Conn.	MCA	Old Rated Capacities			
								LT_134A	LT_404A	MT_134A	MT_404A
M4FF-0080-CFA-244	RST64C1E-CFA-108	24.00	16.30	13.10	3/8	5/8	20.3		3880		7640
M4FF-0080-CFA-245	RST64C1E-CFA-108	24.00	16.80	13.10	3/8	5/8	20.3		3880		7640
M4FF-0080-CFA-252	RST64C1E-CFA-108	24.00	16.80	13.10	3/8	5/8	20.3		3880		7640
M4FF-0080-IAV-020	RST64C1E-IAV-108	24.00	16.10	13.10	3/8	5/8	12.4		3880		7640
M4FF-0080-IAV-040	RST64C1E-IAV-108	24.00	16.80	13.10	3/8	5/8	12.4		3880		7640
M4FF-0080-IAV-072	RST64C1E-IAV-108	24.00	16.80	13.10	3/8	5/8	12.4		3880		7640
M4FF-0080-IAV-075	RST64C1E-IAV-108	24.00	16.80	13.10	3/8	5/8	12.4		3880		7640
M4FF-0080-IAV-076	RST64C1E-IAV-108	24.00	16.97	13.08	3/8	5/8	12.4		3880		7640
M4FF-0080-IAV-077	RST64C1E-IAV-102	24.00	16.97	13.08	3/8	5/8	12.4		3880		7640
M4FF-0080-IAV-115	RST64C1E-IAV-108	24.00	16.10	13.00	3/8	5/8	12.4		3880		7640
M4FF-0080-IAV-212	RST64C1E-IAV-108	24.00	16.10	13.10	3/8	5/8	12.4		3880		7640
M4FF-0080-IAV-252	RST64C1E-IAV-108	24.00	16.80	13.10	3/8	5/8	12.4		3880		7640
M4FF-0082-CFA-140	RST80C1E-PFA-150	17.50	14.38	11.82	1/4	1/2	24.5				
M4FF-E050-IAA-212	RST45C1E-IAA-108	16.13	13.68	11.73	1/4	1/2	13.7		2340		4660
M4FF-E050-IAA-221	RST45C1E-IAA-108						13.7		2340		4660
M4FF-E050-IAV-160	RST45C1E-IAV-104	17.50	14.80	11.80	1/4	3/8	7.1		2340		4660
M4FF-E056-CAA-222	RST45C1E-CAA-108	17.50	14.40	11.80	1/4	1/2	14.5		2510		5280
M4FF-E056-IAA-115	RST45C1E-IAA-108	17.50	13.99	11.82	1/4	1/2	14.5		2510		5280
M4FF-E056-IAA-122	RST45C1E-IAA-108						14.5		2510		5280
M4FF-E056-IAA-140	RST45C1E-IAA-108	17.50	13.99	11.82	1/4	1/2	14.5		2510		5280
M4FF-E056-IAV-160	RST45C1E-IAV-104	17.50	14.31	11.71	1/4	3/8	7.7		2510		5280
M4FF-E056-IAV-212	RST45C1E-IAV-109	17.50	14.38	11.82	1/4	5/8	7.7		2510		5280
M4FF-E056-IAV-221	RST45C1E-IAV-109						7.7		2510		5280
M4FF-E075-CAA-040	RST55C1E-CAA-108	24.00	17.06	13.02	3/8	5/8	19.9		3070		6610
M4FF-E075-CAA-212	RST55C1E-CAA-108	24.00	17.10	13.02	3/8	5/8	19.9		3070		6610
M4FF-E075-CAA-221	RST55C1E-CAA-108						19.9		3070		6610
M4FF-E075-CAV-140	RST55C1E-CAV-109	24.00	17.11	13.07	3/8	5/8	9.6		3070		6610
M4FF-E075-CAV-160	RST55C1E-CAV-104	24.00	17.23	13.38	3/8	3/8	9.6		3070		6610
M4FF-E075-CAV-212	RST55C1E-CAV-109	24.00	16.34	13.02	3/8	5/8	9.6		3070		6610
M4FF-E075-CAV-221	RST55C1E-CAV-109						9.6		3070		6610
M4FF-E077-CFA-212	RST64C1E-CFA-108	17.51	14.39	11.82	1/4	5/8	19.7		3770		7060
M4FF-E077-IAV-160	RST64C1E-IAV-102	17.50	14.30	11.80	1/4	3/8	12.3		3770		7060
M4FF-E077-IAV-208	RST64C1E-IAV-108						12.3		3770		7060
M4FF-E077-IAV-212	RST64C1E-IAV-108	17.50	14.38	11.82	1/4	5/8	12.3		3770		7060
M4FF-E080-CAV-212	RST64C1E-CAV-108	24.00	16.89	13.07	3/8	5/8	12.3				
M4FF-E080-CFA-207	RST64C1E-CFA-108	24.00	16.85	13.07	3/8	1/2	19.4				
M4FH-0025-IAA-020	ASE19C3E-IAA-103						10.7				2430
M4FH-0025-IAA-045	ASE19C3E-IAA-103	24.40	19.60	12.60	5/8	1 1/16	10.7				2430
M4FH-0025-IAA-060	ASE19C3E-IAA-103	21.37	12.13	11.44	1/4	3/8	10.7				2430
M4FH-0025-IAA-103	ASE19C3E-IAA-103	13.82	11.44	9.67	1/4	3/8	10.7				2430
M4FH-0025-IAA-111	ASE19C3E-IAA-103	13.82	11.25	9.67	1/4	3/8	10.7				2430
M4FH-0025-IAA-123	ASE19C3E-IAA-103	18.90	11.50	9.70	1/4	3/8	10.7				2430
M4FH-0025-IAA-140	ASE19C3E-IAA-103	20.77	10.75	10.33	1/4	3/8	10.7				2430
M4FH-0025-IAA-212	ASE19C3E-IAA-103	13.85	11.90	9.67	1/4	3/8	10.7				2430
M4FH-0025-IAA-240	ASE19C3E-IAA-103	13.86	12.01	9.94	1/4	3/8	10.7				2430
M4FH-0025-IAA-241	ASE19C3E-IAA-103	13.90	11.69	9.62	1/4	3/8	10.7				2430
M4FH-0025-IAA-260	ASE19C3E-IAA-103	21.37	12.06	11.44	1/4	3/8	10.7				2430
M4FH-0025-IAA-272	ASE19C3E-IAA-103	14.50	12.00	11.40	1/4	3/8	10.7				2430
M4FH-0026-IAA-240	ASE19C3E-IAA-103	15.28	11.90	9.73	1/4	3/8	10.9		1210		
M4FH-0038-IAA-140	ASE24C3E-IAA-103	16.20	13.10	11.80	1/4	3/8	8.9				3130
M4FH-0039-IAA-045	ASE24C3E-IAA-103	25.90	18.60	12.60	5/8	1 1/16	9.1				
M4FH-0050-CAA-020	ASE32C3E-CAA-103						12.3				4380
M4FH-0050-CAA-021	ASE32C3E-CAA-103	16.00	13.07	11.75	1/4	3/8	12.3				4380
M4FH-0050-CAA-103	ASE32C3E-CAA-103	16.06	12.82	11.81	1/4	3/8	12.3				4380
M4FH-0050-CAA-111	ASE32C3E-CAA-103	16.06	12.68	11.81	1/4	3/8	12.3				4380
M4FH-0050-CAA-160	ASE32C3E-CAA-103	18.50	13.10	11.70	1/4	1/2	12.3				4380
M4FH-0050-CAA-212	ASE32C3E-CAA-103	16.06	13.08	11.81	1/4	3/8	12.3				4380
M4FH-0050-CAA-252	ASE32C3E-CAA-103	16.10	13.10	11.80	1/4	3/8	12.3				4380
M4FH-0050-CAA-272	ASE32C3E-CAA-103	16.25	13.08	11.67	1/4	3/8	12.3				4380
M4FH-0050-CAB-252	ASE32C3E-CAV-103	16.18	13.08	11.73	1/4	3/8	6.5				4380
M4FH-0050-CAV-045	ASE32C3E-CAV-103	24.40	18.70	12.60	5/8	1 1/16	6.7				4380
M4FH-0050-CAV-103	ASE32C3E-CAV-103	16.06	12.82	11.81	1/4	3/8	6.7				4380

Rcommended New Model	Available BOMs	Service Compressor	New L	New W	New H	New Liquid	New Suction	New MCA	New Rated Capacities				
									LT_134a	LT_404A	MT_134a	MT_404A	
M6KP-0092-CFA-179	020, 072, 177, 179, 212, 272	RST64C1E-CFA-901	24.00	16.27	13.08	1/4	3/8	20.3			4050		7750
M6KP-0092-CFA-272	020, 072, 177, 179, 212, 272	RST64C1E-CFA-901	24.00	16.39	13.08	1/4	3/8	20.3			4050		7750
M6KP-0092-CFA-272	020, 072, 177, 179, 212, 272	RST64C1E-CFA-901	24.00	16.39	13.08	1/4	3/8	20.3			4050		7750
M6KP-0092-CAV-072	020, 072, 177, 179, 212, 272	RST64C1E-CAV-901	24.00	16.39	13.08	3/8	1/2	12.4			4050		7750
M6KP-0092-CAV-072	020, 072, 177, 179, 212, 272	RST64C1E-CAV-901	24.00	16.39	13.08	3/8	1/2	12.4			4050		7750
M6KP-0092-CAV-072	020, 072, 177, 179, 212, 272	RST64C1E-CAV-901	24.00	16.39	13.08	3/8	1/2	12.4			4050		7750
M6KP-0092-CAV-072	020, 072, 177, 179, 212, 272	RST64C1E-CAV-901	24.00	16.39	13.08	3/8	1/2	12.4			4050		7750
M6KP-0092-CAV-072	020, 072, 177, 179, 212, 272	RST64C1E-CAV-901	24.00	16.39	13.08	3/8	1/2	12.4			4050		7750
M6KP-0092-CAV-177	020, 072, 177, 179, 212, 272	RST64C1E-CAV-901	24.00	16.39	13.08	1/4	3/8	12.4			4050		7750
M6KP-0092-CAV-177	020, 072, 177, 179, 212, 272	RST64C1E-CAV-901	24.00	16.39	13.08	1/4	3/8	12.4			4050		7750
M6KP-0092-CAV-272	020, 072, 177, 179, 212, 272	RST64C1E-CAV-901	24.00	16.39	13.08	3/8	3/8	12.4			4050		7750
M6GP-H103-CFA-272	212, 272	RST80C1E-PFA-901	18.83	14.34	12.29	3/8	1/2	24.5			4670		8880
M6ZP-0053-IAA-272	177, 179, 212, 272	RST45C1E-IAA-901	17.36	13.67	11.71	3/8	3/8	14			2460		4980
M6ZP-0053-IAA-272	177, 179, 212, 272	RST45C1E-IAA-901	17.36	13.67	11.71	3/8	3/8	14			2460		4980
M6ZP-0053-IAV-177	028, 078, 177, 179	RST45C1E-IAV-901	17.36	13.55	11.75	3/8		7.2			2460		4980
M6GP-H064-CAA-177	177, 179, 212, 272	RST45C1E-CAA-901	18.86	14.34	11.79	3/8		14.8			2580		5490
M6GP-H064-CAA-177	177, 179, 212, 272	RST45C1E-CAA-901	18.86	14.34	11.79	3/8		14.8			2580		5490
M6GP-H064-CAA-177	177, 179, 212, 272	RST45C1E-CAA-901	18.86	14.34	11.79	3/8		14.8			2580		5490
M6GP-H064-CAA-177	177, 179, 212, 272	RST45C1E-CAA-901	18.86	14.34	11.79	3/8		14.8			2580		5490
M6GP-H064-CAV-078	078, 177, 179	RST45C1E-CAV-901	18.88	14.34	11.83	3/8	5/16	7.4			2580		5490
M6GP-H064-CAV-177	078, 177, 179	RST45C1E-CAV-901	18.86	14.34	11.79	3/8		7.4			2580		5490
M6GP-H064-CAV-177	078, 177, 179	RST45C1E-CAV-901	18.86	14.34	11.79	3/8		7.4			2580		5490
M6KP-0075-CAA-072	020, 072, 177, 179, 212, 272	RST55C1E-CAA-901	24.00	16.39	13.08	3/8	3/8	20.8			3290		6660
M6KP-0075-CAA-272	020, 072, 177, 179, 212, 272	RST55C1E-CAA-901	24.00	16.39	13.08	1/4	3/8	20.8			3290		6660
M6KP-0075-CAA-177	020, 072, 177, 179, 212, 272	RST55C1E-CAA-901	24.00	16.41	13.08	3/8	3/8	20.8			3290		6660
M6KP-0075-CAV-072	020, 072, 177, 179, 212, 272	RST55C1E-CAV-901	24.00	16.39	13.08	3/8	3/8	9.7			3290		6660
M6KP-0075-CAV-072	020, 072, 177, 179, 212, 272	RST55C1E-CAV-901	24.00	16.39	13.08	3/8	3/8	9.7			3290		6660
M6KP-0075-CAV-272	020, 072, 177, 179, 212, 272	RST55C1E-CAV-901	16.39	24.00	13.08	3/8	1/2	9.7			3290		6660
M6KP-0075-CAV-177	020, 072, 177, 179, 212, 272	RST55C1E-CAV-901	24.00	16.39	13.08	1/4	3/8	9.7			3290		6660
M6GP-H090-CFA-272	177, 179, 212, 272	RST64C1E-CFA-901	18.84	14.34	12.29	3/8	1/2	20			4010		7580
M6GP-H090-CAV-272	177, 179, 212, 272	RST64C1E-CAV-901	18.84	14.34	12.29	3/8	1/2	12.3			4010		7580
M6GP-H090-CAV-179	177, 179, 212, 272	RST64C1E-CAV-901	18.84	14.34	12.29	3/8	1/2	12.3			4010		7580
M6GP-H090-CAV-272	177, 179, 212, 272	RST64C1E-CAV-901	18.84	14.34	12.29	3/8	1/2	12.3			4010		7580
M6KP-0092-CAV-272	020, 072, 177, 179, 212, 272	RST64C1E-CAV-901	24.00	16.39	13.08	3/8	3/8	12.4			4050		7750
M6KP-0092-CFA-272	020, 072, 177, 179, 212, 272	RST64C1E-CFA-901	24.00	16.39	13.08	1/4	3/8	20.3			4050		7750
M6JM-H023-IAA-078	020, 028, 078, 177, 179,	ASE14C4E-IAA-901	14.13	12.12	11.37	1/4	3/8	6.7			1060		2180
M6JM-H023-IAA-078	020, 028, 078, 177, 179,	ASE14C4E-IAA-901	14.13	12.12	11.37	1/4	3/8	6.7			1060		2180
M6JM-H023-IAA-078	020, 028, 078, 177, 179,	ASE14C4E-IAA-901	14.13	12.12	11.37	1/4	3/8	6.7			1060		2180
M6JM-H023-IAA-177	020, 028, 078, 177, 179,	ASE14C4E-IAA-901	14.11	11.45	11.37	1/4	3/8	6.7			1060		2180
M6JM-H023-IAA-179	020, 028, 078, 177, 179,	ASE14C4E-IAA-901	13.91	11.46	9.67	1/4		6.7			1060		2180
M6JM-H023-IAA-177	020, 028, 078, 177, 179,	ASE14C4E-IAA-901	14.11	11.45	11.37	1/4	3/8	6.7			1060		2180
M6JM-H023-IAA-177	020, 028, 078, 177, 179,	ASE14C4E-IAA-901	14.11	11.45	11.37	1/4	3/8	6.7			1060		2180
M6JM-H023-IAA-177	020, 028, 078, 177, 179,	ASE14C4E-IAA-901	14.11	11.45	11.37	1/4	3/8	6.7			1060		2180
M6JM-H023-IAA-177	020, 028, 078, 177, 179,	ASE14C4E-IAA-901	14.11	11.45	11.37	1/4	3/8	6.7			1060		2180
M6JM-H023-IAA-078	020, 028, 078, 177, 179,	ASE14C4E-IAA-901	14.13	12.12	11.37	1/4	3/8	6.7			1060		2180
M6JM-H023-IAA-078	020, 028, 078, 177, 179,	ASE14C4E-IAA-901	14.13	12.12	11.37	1/4	3/8	6.7			1060		2180
M6JM-H023-IAA-177	020, 028, 078, 177, 179,	ASE14C4E-IAA-901	14.11	11.45	11.37	1/4	3/8	6.7			1060		2180
M6JM-H023-IAA-078	020, 028, 078, 177, 179,	ASE14C4E-IAA-901	14.13	12.12	11.37	1/4	3/8	6.7			1060		2180
M6JM-H023-IAA-078	020, 028, 078, 177, 179,	ASE14C4E-IAA-901	14.13	12.12	11.37	1/4	3/8	6.7			1060		2180
M6ZM-0032-IAA-179	177, 179, 212, 272	ASE24C5E-IAA-901	16.18	13.32	11.73	1/4	5/16	8.6			1340		3080
M6ZM-0032-IAA-272	177, 179, 212, 272	ASE24C5E-IAA-901	16.58	13.09	11.71	1/4	5/16	8.6			1340		3080
M6QM-H049-IAA-272	212, 272	ASE39C5E-IAA-901	15.67	12.12	11.37	1/4	5/16	13.4			2490		4250
M6QM-H049-IAA-272	212, 272	ASE39C5E-IAA-901	15.67	12.12	11.37	1/4	5/16	13.4			2490		4250
M6JM-H043-IAA-177	177, 179, 212, 272	ASE39C5E-IAA-901	14.39	11.45	11.37	1/4	3/8	13.2					4170
M6JM-H043-IAA-179	177, 179, 212, 272	ASE39C5E-IAA-901	13.96	11.46	9.67	1/4		13.2					4170
M6QM-H049-IAA-272	212, 272	ASE39C5E-IAA-901	15.67	12.12	11.37	1/4	5/16	13.4			2490		4250
M6QM-H049-IAA-272	212, 272	ASE39C5E-IAA-901	15.67	12.12	11.37	1/4	5/16	13.4			2490		4250
M6QM-H049-IAA-272	212, 272	ASE39C5E-IAA-901	15.67	12.12	11.37	1/4	5/16	13.4			2490		4250
M6QM-H049-IAA-272	212, 272	ASE39C5E-IAA-901	15.67	12.12	11.37	1/4	5/16	13.4			2490		4250
M6QM-H049-CAV-078	028, 078	ASE39C5E-CAV-901	15.66	12.01	11.37	1/4	5/16	7.7			2490		4250
M6QM-H049-CAV-078	028, 078	ASE39C5E-CAV-901	15.66	12.01	11.37	1/4	5/16	7.7			2490		4250
M6QM-H049-CAV-078	028, 078	ASE39C5E-CAV-901	15.66	12.01	11.37	1/4	5/16	7.7			2490		4250

Copeland to Copeland Cross Reference

Old Model	Compressor Model	Length	Width	Height	Liquid Conn.	Suction Conn.	MCA	Old Rated Capacities			
								LT_134A	LT_404A	MT_134A	MT_404A
M4FH-0050-CAV-212	ASE32C3E-CAV-103	16.06	13.08	11.81	1/4	3/8	6.7				4380
M4FH-0050-CAV-272	ASE32C3E-CAV-103	16.25	13.08	11.67	1/4	3/8	6.7				4380
M4FH-0052-CAV-045	ASE32C3E-CAV-103	28.90	18.20	15.40	5/8	1 1/16	7.3				
M4FH-A036-IAA-020	ASE24C3E-IAA-103						8.4				3370
M4FH-A036-IAA-045	ASE24C3E-IAA-103	24.40	18.60	12.60	5/8	1 1/16	8.4				3370
M4FH-A036-IAA-060	ASE24C3E-IAA-103	16.00	13.30	11.78	1/4	3/8	8.4				3370
M4FH-A036-IAA-103	ASE24C3E-IAA-103	16.06	12.87	11.78	1/4	3/8	8.4				3370
M4FH-A036-IAA-111	ASE24C3E-IAA-103	16.06	12.68	11.78	1/4	3/8	8.4				3370
M4FH-A036-IAA-123	ASE24C3E-IAA-103	16.00	12.90	11.70	1/4	3/8	8.4				3370
M4FH-A036-IAA-141	ASE24C3E-IAA-103	22.94	14.45	11.78	1/4	3/8	8.4				3370
M4FH-A036-IAA-160	ASE24C3E-IAA-103	16.00	13.30	11.78	1/4	3/8	8.4				3370
M4FH-A036-IAA-208	ASE24C3E-IAA-103	16.06	13.07	11.78	1/4	3/8	8.4				3370
M4FH-A036-IAA-212	ASE24C3E-IAA-103	16.06	15.29	11.78	1/4	3/8	8.4				3370
M4FH-A036-IAA-243	ASE24C3E-IAA-103	16.00	15.82	11.91	1/4	3/8	8.4				3370
M4FH-A036-IAA-252	ASE24C3E-IAA-103	16.00	13.10	11.70	1/4	3/8	8.4				3370
M4FH-A036-IAA-272	ASE24C3E-IAA-103	16.30	13.10	11.70	1/4	3/8	8.4				3370
M4FH-A036-IAB-252	ASE24C3E-IAV-103	16.10	13.10	11.70	1/4	3/8	5.7				3370
M4FH-A036-IAV-040	ASE24C3E-IAV-103	17.40	18.10	11.70	5/8	1 1/16	5.9				3370
M4FH-A036-IAV-041	ASE24C3E-IAV-103	16.00	16.10	11.70	1/4	3/8	5.9				3370
M4FH-A036-IAV-043	ASE24C3E-IAV-103	24.40	16.40	12.20	5/8	1 1/16	5.9				3370
M4FH-A036-IAV-103	ASE24C3E-IAV-103	16.06	12.87	11.78	1/4	3/8	5.9				3370
M4FH-A036-IAV-140	ASE24C3E-IAV-103	16.00	16.07	11.78	1/4	3/8	5.9				3370
M4FH-A036-IAV-208	ASE24C3E-IAV-103	16.06	13.07	11.80	1/4	3/8	5.9				3370
M4FH-A036-IAV-212	ASE24C3E-IAV-103	16.06	13.07	11.78	1/4	3/8	5.9				3370
M4FH-A036-IAV-272	ASE24C3E-IAV-103	16.30	13.08	11.73	1/4	3/8	5.9				3370
M4FH-E025-IAA-212	ASE19C3E-IAA-103	13.95	11.81	9.70	1/4	3/8	10.6				
M4FH-E036-IAA-020	ASE24C3E-IAA-103	16.48	13.44	11.70	1/4	3/8	8.1				3200
M4FH-E036-IAA-072	ASE24C3E-IAA-103	16.31	13.08	11.74	1/4	3/8	8.1				3200
M4FH-E036-IAA-212	ASE24C3E-IAA-103	16.18	13.11	11.73	1/4	3/8	8.1				3200
M4FH-E036-IAV-020	ASE24C3E-IAV-103	16.57	13.85	12.05	1/4	3/8	5.8				3200
M4FH-E040-IAA-040	ASE24C3E-IAA-103	19.82	18.56	14.61	3/8	3/8	8.9				
M4FH-E050-CAA-212	ASE32C3E-CAA-103	16.18	13.08	11.73	1/4	3/8	12.1				4300
M4FH-E050-CAV-212	ASE32C3E-CAV-103	16.18	13.08	11.73	1/4	3/8	6.7				4300
M4FL-0033-IAA-017	AFE11C3E-IAA-103	13.90	11.70	9.60	1/4	3/8	7.7		1390		
M4FL-0033-IAA-020	AFE11C3E-IAA-103	13.80	11.80	9.70	1/4	3/8	7.7		1390		
M4FL-0033-IAA-021	AFE11C3E-IAA-103	13.90	11.55	9.98	1/4	5/16	7.7		1390		
M4FL-0033-IAA-022	AFE11C3E-IAA-103	13.90	11.94	9.62	1/4	3/8	7.7		1390		
M4FL-0033-IAA-072	AFE11C3E-IAA-103	14.42	12.80	11.36	1/4	3/8	7.7		1390		
M4FL-0033-IAA-102	AFE11C3E-IAA-103						7.7		1390		
M4FL-0033-IAA-103	AFE11C3E-IAA-103	13.80	11.80	9.70	1/4	3/8	7.7		1390		
M4FL-0033-IAA-111	AFE11C3E-IAA-103	13.80	11.80	9.70	1/4	3/8	7.7		1390		
M4FL-0033-IAA-122	AFE11C3E-IAA-103	13.80	11.30	9.70	1/4	5/16	7.7		1390		
M4FL-0033-IAA-123	AFE11C3E-IAA-103	13.90	11.50	9.70	1/4	3/8	7.7		1390		
M4FL-0033-IAA-149	AFE11C3E-IAA-103	14.02	11.92	9.62	1/4	3/8	7.7		1390		
M4FL-0033-IAA-241	AFE11C3E-IAA-103	13.85	12.05	9.67	1/4	3/8	7.7		1390		
M4FL-0033-IAV-021	AFE11C3E-IAV-103						3.4		1390		
M4FL-0033-IAV-072	AFE11C3E-IAV-103						3.4		1390		
M4FL-0033-IAV-102	AFE11C3E-IAV-103						3.4		1390		
M4FL-0033-IAV-321	AFE11C3E-IAV-103						3.4		1390		
M4FL-0039-IAA-021	AFE13C3E-IAA-103	16.64	12.16	9.73	1/4	3/8	8.9		1980		
M4FL-0039-IAA-221	AFE13C3E-IAA-103	18.19	12.09	10.55	1/4	3/8	8.9		1980		
M4FL-0040-IAA-044	AFE13C3E-IAA-103	24.40	19.60	12.60	5/8	1 1/16	8.9		2040		
M4FL-0040-IAA-103	AFE13C3E-IAA-103	16.06	12.68	11.78	1/4	3/8	8.9		2040		
M4FL-0040-IAA-111	AFE13C3E-IAA-103	16.06	12.52	11.78	1/4	3/8	8.9		2040		
M4FL-0040-IAA-122	AFE13C3E-IAA-103	16.10	12.70	11.70	1/4	5/16	8.9		2040		
M4FL-0040-IAA-208	AFE13C3E-IAA-103	16.06	13.07	11.78	1/4	3/8	8.9		2040		
M4FL-0040-IAA-212	AFE13C3E-IAA-103	16.06	13.07	11.78	1/4	3/8	8.9		2040		
M4FL-0040-IAA-240	AFE13C3E-IAA-103	16.06	13.08	11.78	1/4	5/16	8.9		2040		
M4FL-0040-IAA-270	AFE13C3E-IAA-103	17.47	14.87	11.72	1/4	3/8	8.9		2040		
M4FL-0040-IAA-272	AFE13C3E-IAA-103	16.25	13.08	11.67	1/4	3/8	8.9		2040		
M4FL-0040-IAV-021	AFE13C3E-IAV-103						4.6		2040		
M4FL-0040-IAV-103	AFE13C3E-IAV-103	16.10	13.00	11.70	1/4	3/8	4.6		2040		

Rcommended New Model	Available BOMs	Service Compressor	New L	New W	New H	New Liquid	New Suction	New MCA	New Rated Capacities			
									LT_134a	LT_404A	MT_134a	MT_404A
M6QM-H049-CAV-078	028, 078	ASE39C5E-CAV-901	15.66	12.01	11.37	1/4	5/16	7.7		2490		4250
M6QM-H049-CAV-078	028, 078	ASE39C5E-CAV-901	15.66	12.01	11.37	1/4	5/16	7.7		2490		4250
M6QM-H049-CAV-078	028, 078	ASE39C5E-CAV-901	15.66	12.01	11.37	1/4	5/16	7.7		2490		4250
M6QM-H031-IAA-078	028, 078	ASE20C4E-IAA-901	15.39	12.12	11.37	1/4	5/16	8.4		1240		2790
M6ZM-0032-IAA-272	177, 179, 212, 272	ASE24C5E-IAA-901	16.58	13.09	11.71	1/4	5/16	8.6		1340		3080
M6ZM-0032-IAA-272	177, 179, 212, 272	ASE24C5E-IAA-901	16.58	13.09	11.71	1/4	5/16	8.6		1340		3080
M6ZM-0032-IAA-177	177, 179, 212, 272	ASE24C5E-IAA-901	16.58	12.68	11.73	1/4	5/16	8.6		1340		3080
M6ZM-0032-IAA-179	177, 179, 212, 272	ASE24C5E-IAA-901	16.18	13.32	11.73	1/4	5/16	8.6		1340		3080
M6ZM-0032-IAA-177	177, 179, 212, 272	ASE24C5E-IAA-901	16.58	12.68	11.73	1/4	5/16	8.6		1340		3080
M6ZM-0032-IAA-177	177, 179, 212, 272	ASE24C5E-IAA-901	16.58	12.68	11.73	1/4	5/16	8.6		1340		3080
M6ZM-0032-IAA-272	177, 179, 212, 272	ASE24C5E-IAA-901	16.58	13.09	11.71	1/4	5/16	8.6		1340		3080
M6ZM-0032-IAA-179	177, 179, 212, 272	ASE24C5E-IAA-901	16.18	13.32	11.73	1/4	5/16	8.6		1340		3080
M6ZM-0032-IAA-177	177, 179, 212, 272	ASE24C5E-IAA-901	16.58	12.68	11.73	1/4	5/16	8.6		1340		3080
M6ZM-0032-IAA-272	177, 179, 212, 272	ASE24C5E-IAA-901	16.58	13.09	11.71	1/4	5/16	8.6		1340		3080
M6ZM-0032-IAA-272	177, 179, 212, 272	ASE24C5E-IAA-901	16.58	13.09	11.71	1/4	5/16	8.6		1340		3080
M6ZM-0032-IAA-177	177, 179, 212, 272	ASE24C5E-IAA-901	16.58	12.68	11.73	1/4	5/16	8.6		1340		3080
M6ZM-0025-IAV-078	028, 078, 177, 179	ASE20C4E-IAV-901	16.52	13.07	11.71	1/4	5/16	4.4		1240		2910
M6ZM-0025-IAV-078	028, 078, 177, 179	ASE20C4E-IAV-901	16.52	13.07	11.71	1/4	5/16	4.4		1240		2910
M6ZM-0025-IAV-078	028, 078, 177, 179	ASE20C4E-IAV-901	16.52	13.07	11.71	1/4	5/16	4.4		1240		2910
M6ZM-0025-IAV-078	028, 078, 177, 179	ASE20C4E-IAV-901	16.52	13.07	11.71	1/4	5/16	4.4		1240		2910
M6ZM-0025-IAV-177	028, 078, 177, 179	ASE20C4E-IAV-901	16.58	12.68	11.73	1/4	5/16	4.4		1240		2910
M6ZM-0025-IAV-078	028, 078, 177, 179	ASE20C4E-IAV-901	16.52	13.07	11.71	1/4	5/16	4.4		1240		2910
M6ZM-0025-IAV-179	028, 078, 177, 179	ASE20C4E-IAV-901	16.18	13.32	11.73	1/4	5/16	4.4		1240		2910
M6ZM-0025-IAV-177	028, 078, 177, 179	ASE20C4E-IAV-901	16.58	12.68	11.73	1/4	5/16	4.4		1240		2910
M6ZM-0025-IAV-177	028, 078, 177, 179	ASE20C4E-IAV-901	16.58	12.68	11.73	1/4	5/16	4.4		1240		2910
M6JM-H023-IAA-078	020, 028, 078, 177, 179	ASE14C4E-IAA-901	14.13	12.12	11.37	1/4	3/8	6.7		1060		2180
M6JM-H028-CAA-078	028, 078	ASE20C4E-CAA-901	14.13	12.01	11.37	1/4	3/8	7.5		1230		2730
M6JM-H028-CAA-078	028, 078	ASE20C4E-CAA-901	14.13	12.01	11.37	1/4	3/8	7.5		1230		2730
M6JM-H028-CAA-078	028, 078	ASE20C4E-CAA-901	14.13	12.01	11.37	1/4	3/8	7.5		1230		2730
M6ZM-0025-IAV-078	028, 078, 177, 179	ASE20C4E-IAV-901	16.52	13.07	11.71	1/4	5/16	4.4		1240		2910
M6ZM-0032-IAA-272	177, 179, 212, 272	ASE24C5E-IAA-901	16.58	13.09	11.71	1/4	5/16	8.6		1340		3080
Obsolete												
M6QM-H049-CAV-078	028, 078	ASE39C5E-CAV-901	15.66	12.01	11.37	1/4	5/16	7.7		2490		4250
M6JL-H030-IAA-078	028, 078, 177, 179	AFE11C4E-IAA-901	14.13	12.12	11.37	1/4	3/8	5.9		1240		
M6JL-H030-IAA-078	028, 078, 177, 179	AFE11C4E-IAA-901	14.13	12.12	11.37	1/4	3/8	5.9		1240		
M6JL-H030-IAA-078	028, 078, 177, 179	AFE11C4E-IAA-901	14.13	12.12	11.37	1/4	3/8	5.9		1240		
M6JL-H030-IAA-078	028, 078, 177, 179	AFE11C4E-IAA-901	14.13	12.12	11.37	1/4	3/8	5.9		1240		
M6JL-H030-IAA-078	028, 078, 177, 179	AFE11C4E-IAA-901	14.13	12.12	11.37	1/4	3/8	5.9		1240		
M6JL-H030-IAA-179	028, 078, 177, 179	AFE11C4E-IAA-901	13.91	11.46	9.67	1/4		5.9		1240		
M6JL-H030-IAA-177	028, 078, 177, 179	AFE11C4E-IAA-901	14.11	11.45	11.37	1/4	3/8	5.9		1240		
M6JL-H030-IAA-179	028, 078, 177, 179	AFE11C4E-IAA-901	13.91	11.46	9.67	1/4		5.9		1240		
M6JL-H030-IAA-179	028, 078, 177, 179	AFE11C4E-IAA-901	13.91	11.46	9.67	1/4		5.9		1240		
M6JL-H030-IAA-177	028, 078, 177, 179	AFE11C4E-IAA-901	14.11	11.45	11.37	1/4	3/8	5.9		1240		
M6JL-H030-IAA-177	028, 078, 177, 179	AFE11C4E-IAA-901	14.11	11.45	11.37	1/4	3/8	5.9		1240		
M6JL-H030-IAA-078	028, 078, 177, 179	AFE11C4E-IAA-901	14.13	12.12	11.37	1/4	3/8	5.9		1240		
M6JL-0039-IAV-078	028, 078, 177, 179	AFE17C4E-IAV-901	14.41	12.12	11.37	1/4	3/8	5.6		1620		
M6JL-0039-IAV-078	028, 078, 177, 179	AFE17C4E-IAV-901	14.41	12.12	11.37	1/4	3/8	5.6		1620		
M6JL-0039-IAV-179	028, 078, 177, 179	AFE17C4E-IAV-901	13.96	11.46	9.61	1/4	3/8	5.6		1620		
M6JL-0039-IAV-078	028, 078, 177, 179	AFE17C4E-IAV-901	14.41	12.12	11.37	1/4	3/8	5.6		1620		
M6JL-H048-IAA-272	177, 179, 212, 272	AFE17C4E-IAA-901	14.41	12.12	11.37	1/4	3/8	10.4		1940		
M6JL-H048-IAA-272	177, 179, 212, 272	AFE17C4E-IAA-901	14.41	12.12	11.37	1/4	3/8	10.4		1940		
M6ZL-0042-IAA-272	177, 179, 212, 272	AFE14C5E-IAA-901	16.58	13.09	11.71	1/4	5/16	8.4		1780		
M6ZL-0042-IAA-177	177, 179, 212, 272	AFE14C5E-IAA-901	16.58	12.68	11.73	1/4	5/16	8.4		1780		
M6ZL-0042-IAA-179	177, 179, 212, 272	AFE14C5E-IAA-901	16.18	13.32	11.73	1/4	5/16	8.4		1780		
M6ZL-0042-IAA-179	177, 179, 212, 272	AFE14C5E-IAA-901	16.18	13.32	11.73	1/4	5/16	8.4		1780		
M6ZL-0042-IAA-179	177, 179, 212, 272	AFE14C5E-IAA-901	16.18	13.32	11.73	1/4	5/16	8.4		1780		
M6ZL-0042-IAA-177	177, 179, 212, 272	AFE14C5E-IAA-901	16.58	12.68	11.73	1/4	5/16	8.4		1780		
M6ZL-0042-IAA-177	177, 179, 212, 272	AFE14C5E-IAA-901	16.58	12.68	11.73	1/4	5/16	8.4		1780		
M6ZL-0042-IAA-272	177, 179, 212, 272	AFE14C5E-IAA-901	16.58	13.09	11.71	1/4	5/16	8.4		1780		
M6ZL-0042-IAA-177	177, 179, 212, 272	AFE14C5E-IAA-901	16.58	12.68	11.73	1/4	5/16	8.4		1780		
M6ZL-0042-IAV-078	028, 078, 177, 179	AFE14C5E-IAV-901	16.58	13.09	11.71	1/4	5/16	4.4		1780		
M6ZL-0042-IAV-177	028, 078, 177, 179	AFE14C5E-IAV-901	16.58	12.68	11.73	1/4	5/16	4.4		1780		

Copeland to Copeland Cross Reference

Old Model	Compressor Model	Length	Width	Height	Liquid Conn.	Suction Conn.	MCA	Old Rated Capacities			
								LT_134A	LT_404A	MT_134A	MT_404A
M4FL-0040-IAV-121	AFE13C3E-IAV-103						4.6		2040		
M4FL-0040-IAV-212	AFE13C3E-IAV-103	16.06	13.07	11.78	1/4	3/8	4.6		2040		
M4FL-0040-IAV-272	AFE13C3E-IAV-103	16.25	13.08	11.67	1/4	3/8	4.6		2040		
M4FL-0049-IAA-141	AFE13C3E-IAA-103	20.77	15.16	11.85	1/4	1/4	9.7		2030		
M4FL-0074-CFA-214	RST80C1E-PFA-150	17.38	14.39	12.10	1/4	1/2	24.5		4570		
M4FL-0094-CFA-141	RFT42C1E-PFA-102	17.80	15.30	12.00	1/4	3/8	21.1		4640		
M4FL-0094-CFV-141	RFT42C1E-PFV-102	17.76	14.39	12.00	1/4	1/2	11		4640		
M4FL-A053-IAA-140	RFT22C1E-IAA-102	16.80	13.90	11.70	1/4	3/8	11.7		2540		
M4FL-A067-CAA-103	RFT26C1E-CAA-102	17.40	14.00	11.80	1/4	1/2	15.1		3170		
M4FL-A067-CAA-111	RFT26C1E-CAA-102	17.80	14.00	11.80	1/4	1/2	15.1		3170		
M4FL-A067-CAA-212	RFT26C1E-CAA-102	17.80	14.00	11.80	1/4	1/2	15.1		3170		
M4FL-A067-CAA-240	RFT26C1E-CAA-102	17.80	14.50	11.80	1/4	3/8	15.1		3170		
M4FL-A067-CAA-252	RFT26C1E-CAA-102	17.38	14.38	11.82	1/4	1/2	15.1		3170		
M4FL-A067-CAA-272	RFT26C1E-CAA-102	17.70	14.50	11.80	1/4	1/2	15.1		3170		
M4FL-A067-CAV-141	RFT26C1E-CAV-104	21.40	15.20	11.90	1/4	3/8	9		3170		
M4FL-A067-CAV-212	RFT26C1E-CAV-104	17.80	14.50	11.80	1/4	1/2	9		3170		
M4FL-A067-CAV-272	RFT26C1E-CAV-104	17.70	14.50	11.80	1/4	1/2	9		3170		
M4FL-A067-IAA-044	RFT26C1E-IAA-102	26.40	19.10	12.60	5/8	1 1/16	15.1		3170		
M4FL-A067-IAA-045	RFT26C1E-IAA-102	26.37	19.05	12.61	5/8		15.1		3170		
M4FL-A070-CAA-172	RFT29C1E-CAA-102	17.38	14.46	11.82	1/4	3/8	18		3610		
M4FL-H025-IAA-020	AFE08C4E-IAA-103	13.98	11.80	9.60	1/4	3/8	5.6		876		
M4FL-H025-IAA-072	AFE08C4E-IAA-103	14.50	12.80	11.40	1/4	3/8	5.6		876		
M4FL-H025-IAA-121	AFE08C4E-IAA-103						5.6		876		
M4FL-H025-IAA-122	AFE08C4E-IAA-103	13.94	11.48	9.67	1/4	5/16	5.6		876		
M4FL-H025-IAA-123	AFE08C4E-IAA-103						5.6		876		
M4FL-H025-IAA-141	AFE08C4E-IAA-103	14.02	11.92	9.62	1/4	3/8	5.6		876		
M4FL-H025-IAA-160	AFE08C4E-IAA-103						5.6		876		
M4FL-H033-IAA-121	AFE11C4E-IAA-103						6		1260		
M4FL-H033-IAA-149	AFE11C4E-IAA-103	14.00	11.90	9.60	1/4	3/8	6		1260		
M4FL-H038-IAA-121	AFE13C4E-IAA-103	15.60	11.80	9.70	1/4	5/16	7.5				
M4FL-H039-IAA-160	AFE13C4E-IAA-103						7.5		1610		
M4FL-H047-IAA-121	AFE17C4E-IAA-103	15.60	11.82	9.65	1/4	5/16	10.3		2040		
M4FL-H047-IAA-160	AFE17C4E-IAA-103						10.3		2040		
M4FL-H048-IAA-221	AFE17C4E-IAA-103	18.20	12.10	10.50	1/4	3/8	10.6		2050		
M4FL-H050-IAA-140	AFE17C4E-IAA-103	16.06	13.08	11.73	1/4	5/16	10.6		2160		
M4FL-H050-IAA-141	AFE17C4E-IAA-103	16.10	12.70	11.70	3/8	3/8	10.6		2160		
M4FL-H051-IAA-103	AFE17C4E-IAA-103	17.38	12.93	11.87	1/4	3/8	11.5		2150		
M4FL-H051-IAA-141	AFE17C4E-IAA-103	17.38	13.19	11.87	1/4	3/8	11.5		2150		
M4FL-H051-IAA-212	AFE17C4E-IAA-103	17.38	13.07	11.87	1/4	3/8	11.5		2150		
M4FL-H051-IAA-252	AFE17C4E-IAA-103	17.38	13.13	11.81	1/4	3/8	11.5		2150		
M4FL-H051-IAA-272	AFE17C4E-IAA-103	16.60	13.10	11.90	1/4	3/8	11.5		2150		
M4FL-H051-IAV-272	AFE17C4E-IAV-103						6		2150		
M4FL-H052-IAA-146	AFE17C4E-IAA-103	17.38	13.08	11.73	1/4	3/8	10.4		2110		
M4FL-H055-IAA-2H7	AFE17C4E-IAA-103	30.23	24.03	22.61	1/4	1/2	11.5				
M4FM-E022-IAA-212	ASE12C4E-IAA-103	13.98	11.80	9.60	1/4	3/8	5.4			1640	
M4FM-H022-IAA-111	ASE12C4E-IAA-103						5.5			1640	
M4FM-H022-IAA-122	ASE12C4E-IAA-103	13.97	11.47	9.67	1/4	5/16	5.5			1640	
M4FM-H022-IAA-212	ASE12C4E-IAA-103	13.98	11.80	9.60	1/4	3/8	5.5			1640	
M4FM-H022-IAA-272	ASE12C4E-IAA-103	14.50	12.70	11.40	1/4	3/8	5.5			1640	
M4FM-H030-IAA-060	ASE20C4E-IAA-103						8.4				
M4PF-0050-IAA-140	RST40C1E-IAA-104						12.1				
M4PH-0025-IAA-060	ASE19C3E-IAA-103	25.54	11.26	10.46	1/4	3/8	10.7			2430	
M4PH-0025-IAA-111	ASE19C3E-IAA-103	19.88	11.00	10.52	1/4	3/8	10.7			2430	
M4PH-0025-IAA-146	ASE19C3E-IAA-103	19.88	11.65	10.49	1/4	5/16	10.7			2430	
M4PH-0025-IAA-147	ASE19C3E-IAA-103	19.88	11.19	10.52	1/4	3/8	10.7			2430	
M4PH-0025-IAA-208	ASE19C3E-IAA-103	19.88	11.06	10.52	1/4	3/8	10.7			2430	
M4PH-0025-IAA-212	ASE19C3E-IAA-103	19.88	11.06	10.52	1/4	3/8	10.7			2430	
M4PH-0049-CAA-208	ASE32C3E-CAA-103						12.3			4210	
M4PH-A035-IAA-060	ASE24C3E-IAA-103	25.65	11.18	10.55	1/4	3/8	8.4			3100	
M4PH-A035-IAA-111	ASE24C3E-IAA-103	19.88	11.00	10.52	1/4	3/8	8.4			3100	
M4PH-A035-IAA-146	ASE24C3E-IAA-103	19.88	11.08	10.46	1/4	5/16	8.4			3100	
M4PH-A035-IAA-212	ASE24C3E-IAA-103	20.00	11.14	10.52	1/4	3/8	8.4			3100	

Rcommended New Model	Available BOMs	Service Compressor	New L	New W	New H	New Liquid	New Suction	New MCA	New Rated Capacities				
									LT_134a	LT_404A	MT_134a	MT_404A	
M6ZL-0042-IAV-179	028, 078, 177, 179	AFE14C5E-IAV-901	16.18	13.32	11.73	1/4	5/16	4.4			1780		
M6ZL-0042-IAV-177	028, 078, 177, 179	AFE14C5E-IAV-901	16.58	12.68	11.73	1/4	5/16	4.4			1780		
M6ZL-0042-IAV-177	028, 078, 177, 179	AFE14C5E-IAV-901	16.58	12.68	11.73	1/4	5/16	4.4			1780		
M6GL-H057-IAA-272	212, 272	AFE17C4E-IAA-901	18.10	14.34	11.83	1/4	3/8	11.5			2130		
M6ZP-H090-CFA-272	177, 179, 212, 272	RST80C1E-PFA-901	17.31	13.82	12.29	3/8	3/8	23.6			4280		7680
M6ZP-H090-CFA-272	177, 179, 212, 272	RST80C1E-PFA-901	17.31	13.82	12.29	3/8	3/8	23.6			4280		7680
M6GP-H103-CFV-272	212, 272	RST80C1E-PFV-901	18.83	14.34	12.29	3/8	1/2	12.6			4670		8880
M6ZL-H064-IAA-179	177, 179, 212, 272	RFT22C1E-IAA-901	16.60	14.15	11.71	1/4		10.9			2660		
M6GL-H079-CAA-177	177, 179, 212, 272	RFT26C1E-CAA-901	18.86	14.34	11.79	3/8		15.1			3280		
M6GL-H079-CAA-179	177, 179, 212, 272	RFT26C1E-CAA-901	18.10	14.34	11.79	1/4		15.1			3280		
M6GL-H079-CAA-177	177, 179, 212, 272	RFT26C1E-CAA-901	18.86	14.34	11.79	3/8		15.1			3280		
M6GL-H079-CAA-177	177, 179, 212, 272	RFT26C1E-CAA-901	18.86	14.34	11.79	3/8		15.1			3280		
M6GL-H079-CAA-272	177, 179, 212, 272	RFT26C1E-CAA-901	18.86	14.34	11.79	3/8		15.1			3280		
M6GL-H079-CAA-177	177, 179, 212, 272	RFT26C1E-CAA-901	18.86	14.34	11.79	3/8		15.1			3280		
M6GL-H079-CAV-177	177, 179, 212, 272	RFT26C1E-CAV-901	18.86	14.34	11.79	3/8		9			3280		
M6GL-H079-CAV-177	177, 179, 212, 272	RFT26C1E-CAV-901	18.86	14.34	11.79	3/8		9			3280		
M6GL-H079-CAV-177	177, 179, 212, 272	RFT26C1E-CAV-901	18.86	14.34	11.79	3/8		9			3280		
M6ZL-0078-IAA-272	177, 179, 212, 272	RFT26C1E-IAA-901	17.36	13.67	11.71	3/8	3/8	14.3			3130		
M6ZL-0078-IAA-272	177, 179, 212, 272	RFT26C1E-IAA-901	17.36	13.67	11.71	3/8	3/8	14.3			3130		
M6GP-H090-CFA-177	177, 179, 212, 272	RST64C1E-CFA-901	18.82	14.34	12.29	3/8		20			4010		7580
M6JL-0021-IAA-078	028, 078, 177, 179	AFE08C4E-IAA-901	14.13	12.12	11.37	1/4	3/8	5.5			872		
M6JL-0021-IAA-078	028, 078, 177, 179	AFE08C4E-IAA-901	14.13	12.12	11.37	1/4	3/8	5.5			872		
M6JL-0021-IAA-179	028, 078, 177, 179	AFE08C4E-IAA-901	13.91	11.46	9.61	1/4	3/8	5.5			872		
M6JL-0021-IAA-179	028, 078, 177, 179	AFE08C4E-IAA-901	13.91	11.46	9.61	1/4	3/8	5.5			872		
M6JL-0021-IAA-179	028, 078, 177, 179	AFE08C4E-IAA-901	13.91	11.46	9.61	1/4	3/8	5.5			872		
M6JL-0021-IAA-177	028, 078, 177, 179	AFE08C4E-IAA-901	14.10	11.45	11.37	1/4	5/16	5.5			872		
M6JL-0021-IAA-179	028, 078, 177, 179	AFE08C4E-IAA-901	13.91	11.46	9.61	1/4	3/8	5.5			872		
M6JL-H030-IAA-179	028, 078, 177, 179	AFE11C4E-IAA-901	13.91	11.46	9.67	1/4		5.9			1240		
M6JL-H030-IAA-177	028, 078, 177, 179	AFE11C4E-IAA-901	14.11	11.45	11.37	1/4	3/8	5.9			1240		
M6JL-H041-IAA-177	177, 179, 212, 272	AFE14C5E-IAA-901	14.39	11.57	11.37	1/4	3/8	8.2			1730		
M6JL-H041-IAA-177	177, 179, 212, 272	AFE14C5E-IAA-901	14.39	11.57	11.37	1/4	3/8	8.2			1730		
M6JL-H052-IAA-177	177, 179, 212, 272	AFE20C5E-IAA-901	14.39	11.45	11.37	1/4	3/8	8.5			2240		
M6JL-H052-IAA-179	177, 179, 212, 272	AFE20C5E-IAA-901	13.96	11.46	9.67	1/4		8.5			2240		
M6JL-H052-IAA-272	177, 179, 212, 272	AFE20C5E-IAA-901	14.41	12.12	11.37	1/4	3/8	8.5			2240		
M6JL-H052-IAA-179	177, 179, 212, 272	AFE20C5E-IAA-901	13.96	11.46	9.67	1/4		8.5			2240		
M6JL-H052-IAA-179	177, 179, 212, 272	AFE20C5E-IAA-901	13.96	11.46	9.67	1/4		8.5			2240		
M6ZL-0055-IAA-177	177, 179, 212, 272	AFE20C5E-IAA-901	16.58	12.68	11.73	1/4	5/16	8.8			2350		
M6ZL-0055-IAA-177	177, 179, 212, 272	AFE20C5E-IAA-901	16.58	12.68	11.73	1/4	5/16	8.8			2350		
M6ZL-0055-IAA-177	177, 179, 212, 272	AFE20C5E-IAA-901	16.58	12.68	11.73	1/4	5/16	8.8			2350		
M6ZL-0055-IAA-272	177, 179, 212, 272	AFE20C5E-IAA-901	16.58	13.09	11.71	1/4	5/16	8.8			2350		
M6ZL-0055-IAA-177	177, 179, 212, 272	AFE20C5E-IAA-901	16.58	12.68	11.73	1/4	5/16	8.8			2350		
M6ZL-0055-IAV-177	028, 078, 177, 179	AFE20C5E-IAV-901	16.58	12.68	11.73	1/4	5/16	6			2350		
M6ZL-0055-IAA-179	177, 179, 212, 272	AFE20C5E-IAA-901	16.18	13.32	11.73	1/4	5/16	8.8			2350		
M6ZL-0055-IAA-177	177, 179, 212, 272	AFE20C5E-IAA-901	16.58	12.68	11.73	1/4	5/16	8.8			2350		
M6JM-0017-IAA-177	028, 078, 177, 179	ASE12C4E-IAA-901	14.10	11.45	11.37	1/4	5/16	5.4			785		1620
M6JM-0017-IAA-179	028, 078, 177, 179	ASE12C4E-IAA-901	13.91	11.46	9.61	1/4	3/8	5.4			785		1620
M6JM-0017-IAA-179	028, 078, 177, 179	ASE12C4E-IAA-901	13.91	11.46	9.61	1/4	3/8	5.4			785		1620
M6JM-0017-IAA-177	028, 078, 177, 179	ASE12C4E-IAA-901	14.10	11.45	11.37	1/4	5/16	5.4			785		1620
M6JM-0017-IAA-177	028, 078, 177, 179	ASE12C4E-IAA-901	14.10	11.45	11.37	1/4	5/16	5.4			785		1620
M6ZM-0031-IAA-272	177, 179, 212, 272	ASE20C4E-IAA-901	16.52	13.07	11.71	1/4	5/16	8.4			1200		2810
Contact AE			14.39	11.45	11.37	1/4	3/8	13.2					4170
M6PM-0023-IAA-078	028, 078, 177, 179	ASE14C4E-IAA-901	19.90	11.16	10.65	1/4	5/16	6.7			1060		2180
M6PM-0023-IAA-179	028, 078, 177, 179	ASE14C4E-IAA-901	19.88	11.02	10.48	1/4	5/16	6.6			1060		2180
M6PM-0023-IAA-179	028, 078, 177, 179	ASE14C4E-IAA-901	19.88	11.02	10.48	1/4	5/16	6.6			1060		2180
M6PM-0023-IAA-177	028, 078, 177, 179	ASE14C4E-IAA-901	19.88	11.06	10.65	1/4	5/16	6.7			1060		2180
M6PM-0023-IAA-179	028, 078, 177, 179	ASE14C4E-IAA-901	19.88	11.02	10.48	1/4	5/16	6.6			1060		2180
M6PM-0023-IAA-177	028, 078, 177, 179	ASE14C4E-IAA-901	19.88	11.06	10.65	1/4	5/16	6.7			1060		2180
M6ZM-H054-IAA-272	212, 272	ASE39C5E-IAA-901	16.58	13.09	11.70	1/4	5/16	13.4			2570		4680
M6PM-0030-IAA-272	177, 179, 212, 272	ASE24C5E-IAA-901	19.86	11.16	11.16	1/4	5/16	8.4			1290		2890
M6PM-0030-IAA-179	177, 179, 212, 272	ASE24C5E-IAA-901	19.88	11.02	10.48	1/4	5/16	8.4			1290		2890
M6PM-0030-IAA-179	177, 179, 212, 272	ASE24C5E-IAA-901	19.88	11.02	10.48	1/4	5/16	8.4			1290		2890
M6PM-0030-IAA-177	177, 179, 212, 272	ASE24C5E-IAA-901	19.88	11.06	11.16	1/4	5/16	8.4			1290		2890

Copeland to Copeland Cross Reference

Old Model	Compressor Model	Length	Width	Height	Liquid Conn.	Suction Conn.	MCA	Old Rated Capacities			
								LT_134A	LT_404A	MT_134A	MT_404A
M4PH-A035-IAV-208	ASE24C3E-IAV-103	20.00	11.01	10.52	1/4	3/8	5.9				3100
M4PH-A035-IAV-212	ASE24C3E-IAV-103	20.00	11.18	10.52	1/4	3/8	5.9				3100
M4PH-E025-IAA-147	ASE19C3E-IAA-103	19.88	11.08	10.52	1/4	3/8	10.6				
M4PL-0033-IAA-020	AFE11C3E-IAA-103	19.88	11.06	10.52	1/4	3/8	7.7		1390		
M4PL-0039-IAA-103	AFE13C3E-IAA-103	19.88	11.10	10.52	1/4	3/8	8.9		1980		
M4PL-0039-IAA-111	AFE13C3E-IAA-103	19.88	11.00	10.52	1/4	3/8	8.9		1980		
M4PL-0039-IAA-141	AFE13C3E-IAA-103	20.10	11.60	10.40	1/4	5/16	8.9		1980		
M4PL-0039-IAA-208	AFE13C3E-IAA-103	20.00	11.10	10.52	1/4	3/8	8.9		1980		
M4PL-0039-IAA-212	AFE13C3E-IAA-103	20.00	11.14	10.52	1/4	3/8	8.9		1980		
M4PL-H050-IAA-103	AFE17C4E-IAA-103	19.88	11.08	10.55	1/4	3/8	10.6		2140		
M4PL-H050-IAA-121	AFE17C4E-IAA-103	19.88	11.79	10.49	1/4	5/16	10.6		2140		
M4PL-H050-IAA-122	AFE17C4E-IAA-103	19.88	11.80	10.52	1/4	5/16	10.6		2140		
M4PL-H050-IAA-123	AFE17C4E-IAA-103						10.6		2140		
M4PL-H050-IAA-124	AFE17C4E-IAA-103	19.88	11.21	10.52	1/4	5/16	10.6		2140		
M4PL-H050-IAA-140	AFE17C4E-IAA-103	19.88	11.83	10.46	1/4	5/16	10.6		2140		
M4PL-H050-IAA-141	AFE17C4E-IAA-103	19.88	11.00	10.55	1/4	5/16	10.6		2140		
M4PL-H050-IAA-146	AFE17C4E-IAA-103	19.88	11.08	10.46	1/4	5/16	10.6		2140		
M4PL-H050-IAA-160	AFE17C4E-IAA-103	19.88	11.08	10.94	1/4	5/16	10.6		2140		
M4PL-H050-IAA-212	AFE17C4E-IAA-103	19.88	11.17	10.46	1/4	3/8	10.6		2140		
M4PL-H050-IAA-240	AFE17C4E-IAA-103	19.88	11.08	10.46	1/4	5/16	10.6		2140		
M4PL-H050-IAA-241	AFE17C4E-IAA-103	19.88	11.17	10.46	1/4	5/16	10.6		2140		
M4PL-H050-IAV-122	AFE17C4E-IAV-103						5.6		2140		
M4PL-M035-IAA-144	AFE13C3E-IAA-103	19.88	11.06	10.52	1/4	5/16	8.9		1960		
M4PL-M035-IAA-215	AFE13C3E-IAA-103	20.00	11.00	10.60	1/4	5/16	8.9		1960		
M4PM-E022-IAA-122	ASE12C4E-IAA-103	19.88	11.08	10.52	1/4	3/8	5.4			1640	
M4PM-H022-IAA-040	ASE12C4E-IAA-103	19.90	11.30	10.50	1/4	5/16	5.5			1640	
M4PM-H022-IAA-122	ASE12C4E-IAA-103	19.90	11.20	10.50	1/4	5/16	5.5			1640	
M4PM-H050-IAA-212	ASE35C4E-IAA-103	19.88	11.15	10.46	1/4	3/8	15.9				
M4SL-0033-IAA-140	AFE11C3E-IAA-103	13.64	10.74	9.62	3/8	3/8	7.7		1210		
M4TL-E034-IAA-108	AFE13C4E-IAA-103						7.6				
M4TL-H025-IAA-108	AFE08C4E-IAA-103	19.00	8.50	10.50	1/4	5/16	5.8		860		
M4TL-H025-IAA-118	AFE08C4E-IAA-103	19.00	9.40	10.50	1/4	5/16	5.8		860		
M4TL-H025-IAA-908	AFE08C4E-IAA-103	19.00	8.50	10.50	1/4	5/16	5.8		860		
M4TL-H025-IAA-918	AFE08C4E-IAA-103	19.00	9.40	10.50	1/4	5/16	5.8		860		
M4TL-H033-IAA-108	AFE11C4E-IAA-103	19.00	8.50	10.50	1/4	5/16	6.1		1120		
M4TL-H033-IAA-118	AFE11C4E-IAA-103	19.00	9.40	10.50	1/4	5/16	6.1		1120		
M4TL-H033-IAA-122	AFE11C4E-IAA-103						6.1		1120		
M4TL-H033-IAA-908	AFE11C4E-IAA-103	19.00	8.50	10.50	1/4	5/16	6.1		1120		
M4TL-H033-IAA-918	AFE11C4E-IAA-103	19.00	9.40	10.50	1/4	5/16	6.1		1120		
M4TL-H034-IAA-108	AFE13C4E-IAA-103	19.00	8.50	10.50	1/4	5/16	7.9		1420		
M4TL-H034-IAA-118	AFE13C4E-IAA-103	19.00	9.40	10.50	1/4	5/16	7.9		1420		
M4TL-H034-IAA-122	AFE13C4E-IAA-103						7.9		1420		
M4TL-H034-IAA-160	AFE13C4E-IAA-103	19.00	9.40	10.50	1/4	3/8	7.9		1420		
M4TL-H034-IAA-908	AFE13C4E-IAA-103	19.00	8.50	10.50	1/4	5/16	7.9		1420		
M4TL-H034-IAA-918	AFE13C4E-IAA-103	19.00	9.40	10.50	1/4	5/16	7.9		1420		
M4TM-0033-IAA-108	ASE24C3E-IAA-103	19.00	8.50	10.50	1/4	5/16	8.4			2520	
M4TM-0033-IAA-118	ASE24C3E-IAA-103	19.00	9.40	10.50	1/4	5/16	8.4			2520	
M4TM-0033-IAA-121	ASE24C3E-IAA-103						8.4			2520	
M4TM-0033-IAA-908	ASE24C3E-IAA-103	19.00	8.50	10.50	1/4	5/16	8.4			2520	
M4TM-0033-IAA-918	ASE24C3E-IAA-103	19.00	9.40	10.50	1/4	5/16	8.4			2520	
M4TM-0033-IAV-108	ASE24C3E-IAV-103	19.00	8.50	10.50	1/4	5/16	5.9			2520	
M4TM-0033-IAV-118	ASE24C3E-IAV-103	19.00	9.40	10.50	1/4	5/16	5.9			2520	
M4TM-0033-IAV-121	ASE24C3E-IAV-103						5.9			2520	
M4TM-0033-IAV-908	ASE24C3E-IAV-103	19.00	8.50	10.50	1/4	5/16	5.9			2520	
M4TM-0033-IAV-918	ASE24C3E-IAV-103	19.00	9.40	10.50	1/4	5/16	5.9			2520	
M4TM-H020-IAA-108	ASE12C4E-IAA-103						5.6			1580	
M4TM-H020-IAA-117	ASE12C4E-IAA-103	19.00	9.40	10.50	1/4	3/8	5.6			1580	
M4TM-H020-IAA-118	ASE12C4E-IAA-103	19.00	9.50	10.50	1/4	5/16	5.6			1580	
M4TM-H020-IAA-121	ASE12C4E-IAA-103						5.6			1580	
M4TM-H020-IAA-908	ASE12C4E-IAA-103						5.6			1580	
M4TM-H020-IAA-918	ASE12C4E-IAA-103	19.00	9.50	10.50	1/4	5/16	5.6			1580	
M4TM-H025-IAA-108	ASE20C4E-IAA-103	19.00	8.50	10.50	1/4	5/16	8.4			2300	

Rcommended New Model	Available BOMs	Service Compressor	New L	New W	New H	New Liquid	New Suction	New MCA	New Rated Capacities			
									LT_134a	LT_404A	MT_134a	MT_404A
M6PM-0030-IAA-272	177, 179, 212, 272	ASE24C5E-IAA-901	19.88	11.06	11.16	1/4	5/16	8.4		1290		2890
M6PM-0030-IAA-177	177, 179, 212, 272	ASE24C5E-IAA-901	19.88	11.06	11.16	1/4	5/16	8.4		1290		2890
M6PM-0023-IAA-177	028, 078, 177, 179	ASE14C4E-IAA-901	19.88	11.06	10.65	1/4	5/16	6.7		1060		2180
M6PL-0030-IAA-078	028, 078, 177, 179	AFE11C4E-IAA-901	19.90	11.16	10.65	1/4	5/16	5.9		1240		
M6PL-0041-IAA-177	177, 179, 212, 272	AFE14C5E-IAA-901	19.88	11.06	11.16	1/4	5/16	8.2		1730		
M6PL-0041-IAA-179	177, 179, 212, 272	AFE14C5E-IAA-901	19.88	11.02	10.48	1/4	5/16	8.2		1730		
M6PL-0041-IAA-179	177, 179, 212, 272	AFE14C5E-IAA-901	19.88	11.02	10.48	1/4	5/16	8.2		1730		
M6PL-0041-IAA-272	177, 179, 212, 272	AFE14C5E-IAA-901	19.86	11.16	11.16	1/4	5/16	8.2		1730		
M6PL-0041-IAA-177	177, 179, 212, 272	AFE14C5E-IAA-901	19.88	11.06	11.16	1/4	5/16	8.2		1730		
M6PL-0052-IAA-179	177, 179, 212, 272	AFE20C5E-IAA-901	19.88	11.02	10.48	1/4	5/16	8.5		2240		
M6PL-0052-IAA-177	177, 179, 212, 272	AFE20C5E-IAA-901	19.88	11.06	11.16	1/4	5/16	8.5		2240		
M6PL-0052-IAA-177	177, 179, 212, 272	AFE20C5E-IAA-901	19.88	11.06	11.16	1/4	5/16	8.5		2240		
M6PL-0052-IAA-177	177, 179, 212, 272	AFE20C5E-IAA-901	19.88	11.06	11.16	1/4	5/16	8.5		2240		
M6PL-0052-IAA-179	177, 179, 212, 272	AFE20C5E-IAA-901	19.88	11.02	10.48	1/4	5/16	8.5		2240		
M6PL-0052-IAA-177	177, 179, 212, 272	AFE20C5E-IAA-901	19.88	11.06	11.16	1/4	5/16	8.5		2240		
M6PL-0052-IAA-179	177, 179, 212, 272	AFE20C5E-IAA-901	19.88	11.02	10.48	1/4	5/16	8.5		2240		
M6PL-0052-IAA-179	177, 179, 212, 272	AFE20C5E-IAA-901	19.88	11.02	10.48	1/4	5/16	8.5		2240		
M6PL-0052-IAA-177	177, 179, 212, 272	AFE20C5E-IAA-901	19.88	11.06	11.16	1/4	5/16	8.5		2240		
M6PL-0052-IAA-177	177, 179, 212, 272	AFE20C5E-IAA-901	19.88	11.06	11.16	1/4	5/16	8.5		2240		
M6PL-0052-IAA-179	177, 179, 212, 272	AFE20C5E-IAA-901	19.88	11.02	10.48	1/4	5/16	8.5		2240		
M6PL-0052-IAA-179	177, 179, 212, 272	AFE20C5E-IAA-901	19.88	11.02	10.48	1/4	5/16	8.5		2240		
M6PL-0052-IAA-177	177, 179, 212, 272	AFE20C5E-IAA-901	19.88	11.06	11.16	1/4	5/16	8.5		2240		
M6PL-0052-IAA-177	177, 179, 212, 272	AFE20C5E-IAA-901	19.88	11.06	11.16	1/4	5/16	8.5		2240		
M6PL-0052-IAA-272	177, 179, 212, 272	AFE20C5E-IAA-901	19.88	11.06	11.16	1/4	5/16	8.5		2240		
M6PL-H056-IAV-078	028, 078	AFE20C5E-IAV-901	19.88	11.21	11.14	1/4	5/16	6		2280		
M6PL-0041-IAA-179	177, 179, 212, 272	AFE14C5E-IAA-901	19.88	11.02	10.48	1/4	5/16	8.2		1730		
M6PL-0041-IAA-179	177, 179, 212, 272	AFE14C5E-IAA-901	19.88	11.02	10.48	1/4	5/16	8.2		1730		
M6PM-0020-IAA-177	028, 078, 177, 179	ASE12C4E-IAA-901	19.88	11.06	10.65	1/4	5/16	5.4		855		1880
M6PM-0020-IAA-078	028, 078, 177, 179	ASE12C4E-IAA-901	19.90	11.16	10.65	1/4	5/16	5.4		855		1880
M6PM-0020-IAA-177	028, 078, 177, 179	ASE12C4E-IAA-901	19.88	11.06	10.65	1/4	5/16	5.4		855		1880
Contact AE			16.58	13.09	11.70	1/4	5/16	13.4		2570		4680
M6JL-H030-IAA-179	028, 078, 177, 179	AFE11C4E-IAA-901	13.91	11.46	9.67	1/4		5.9		1240		
M6TL-0037-IAA-108	108, 118, 177	AFE13C4E-IAA-901	19.04	8.47	10.53	1/4	5/16	7.7		1580		
M6TL-0022-IAA-108	108, 118, 177	AFE08C4E-IAA-901	19.04	8.47	10.53	1/4	5/16	5.5		927		
M6TL-0022-IAA-118	108, 118, 177	AFE08C4E-IAA-901	19.00	9.41	10.53	1/4	5/16	5.5		927		
M6TL-0022-IAA-108	108, 118, 177	AFE08C4E-IAA-901	19.04	8.47	10.53	1/4	5/16	5.5		927		
M6TL-0022-IAA-118	108, 118, 177	AFE08C4E-IAA-901	19.00	9.41	10.53	1/4	5/16	5.5		927		
M6TL-0029-IAA-108	108, 118	AFE11C4E-IAA-901	19.04	8.47	10.53	1/4	5/16	5.9		1220		
M6TL-0029-IAA-118	108, 118	AFE11C4E-IAA-901	19.00	9.41	10.53	1/4	5/16	5.9		1220		
M6TL-0029-IAA-108	108, 118	AFE11C4E-IAA-901	19.04	8.47	10.53	1/4	5/16	5.9		1220		
M6TL-0029-IAA-108	108, 118	AFE11C4E-IAA-901	19.04	8.47	10.53	1/4	5/16	5.9		1220		
M6TL-0029-IAA-118	108, 118	AFE11C4E-IAA-901	19.00	9.41	10.53	1/4	5/16	5.9		1220		
M6TL-0037-IAA-108	108, 118, 177	AFE13C4E-IAA-901	19.04	8.47	10.53	1/4	5/16	7.7		1580		
M6TL-0037-IAA-118	108, 118, 177	AFE13C4E-IAA-901	19.00	9.41	10.53	1/4	5/16	7.7		1580		
M6TL-0037-IAA-108	108, 118, 177	AFE13C4E-IAA-901	19.04	8.47	10.53	1/4	5/16	7.7		1580		
M6TL-0037-IAA-118	108, 118, 177	AFE13C4E-IAA-901	19.00	9.41	10.53	1/4	5/16	7.7		1580		
M6TL-0037-IAA-118	108, 118, 177	AFE13C4E-IAA-901	19.00	9.41	10.53	1/4	5/16	7.7		1580		
M6TM-0022-IAA-108	108, 118	ASE14C4E-IAA-901	19.04	8.47	10.53	1/4	5/16	6.7		1040		2120
M6TM-0022-IAA-118	108, 118	ASE14C4E-IAA-901	19.00	9.41	10.53	1/4	5/16	6.7		1040		2120
M6TM-0022-IAA-108	108, 118	ASE14C4E-IAA-901	19.04	8.47	10.53	1/4	5/16	6.7		1040		2120
M6TM-0022-IAA-108	108, 118	ASE14C4E-IAA-901	19.04	8.47	10.53	1/4	5/16	6.7		1040		2120
M6TM-0022-IAA-118	108, 118	ASE14C4E-IAA-901	19.00	9.41	10.53	1/4	5/16	6.7		1040		2120
M6TM-0032-IAV-108	108, 118	ASE28C5E-IAV-901	19.04	8.47	10.53	1/4	5/16	5.6		1840		3260
M6TM-0032-IAV-118	108, 118	ASE28C5E-IAV-901	19.00	9.41	10.53		5/16	5.6		1840		3260
M6TM-0032-IAV-108	108, 118	ASE28C5E-IAV-901	19.04	8.47	10.53	1/4	5/16	5.6		1840		3260
M6TM-0032-IAV-108	108, 118	ASE28C5E-IAV-901	19.04	8.47	10.53	1/4	5/16	5.6		1840		3260
M6TM-0032-IAV-118	108, 118	ASE28C5E-IAV-901	19.00	9.41	10.53		5/16	5.6		1840		3260
M6TM-0020-IAA-108	108, 118	ASE12C4E-IAA-901	19.04	8.47	10.53	1/4	5/16	5.4		841		1830
M6TM-0020-IAA-117	108, 118	ASE12C4E-IAA-901	19.00	9.41	10.53	1/4	3/8	5.4		841		1830
M6TM-0020-IAA-118	108, 118	ASE12C4E-IAA-901	19.00	9.41	10.53	1/4	5/16	5.4		841		1830
M6TM-0020-IAA-108	108, 118	ASE12C4E-IAA-901	19.04	8.47	10.53	1/4	5/16	5.4		841		1830
M6TM-0020-IAA-108	108, 118	ASE12C4E-IAA-901	19.04	8.47	10.53	1/4	5/16	5.4		841		1830
M6TM-0020-IAA-118	108, 118	ASE12C4E-IAA-901	19.00	9.41	10.53	1/4	5/16	5.4		841		1830
M6TM-0022-IAA-108	108, 118	ASE14C4E-IAA-901	19.04	8.47	10.53	1/4	5/16	6.7		1040		2120

Copeland to Copeland Cross Reference

Old Model	Compressor Model	Length	Width	Height	Liquid Conn.	Suction Conn.	MCA	Old Rated Capacities			
								LT_134A	LT_404A	MT_134A	MT_404A
M4TM-H025-IAA-117	ASE20C4E-IAA-103	19.00	9.40	10.50	1/4	3/8	8.4				2300
M4TM-H025-IAA-118	ASE20C4E-IAA-103	19.00	9.40	10.50	1/4	5/16	8.4				2300
M4TM-H025-IAA-121	ASE20C4E-IAA-103						8.4				2300
M4TM-H025-IAA-908	ASE20C4E-IAA-103	19.00	8.50	10.50	1/4	5/16	8.4				2300
M4TM-H025-IAA-918	ASE20C4E-IAA-103	19.00	9.40	10.50	1/4	5/16	8.4				2300
M4WF-C056-IAA-020	RST45C1E-IAA-108	17.40	12.70	10.50	1/4	5/8	13.1		2440		5890
M4WF-C056-IAA-040	RST45C1E-IAA-108	18.11	12.67	10.71	1/4	5/8	13.1				
M4WF-C056-IAV-020	RST45C1E-IAV-109	17.40	12.70	10.50	1/4	5/8	6.6		2440		5890
M4WF-C075-CAA-020	RST55C1E-CAA-108	24.00	16.10	10.70	3/8	5/8	18.8		3230		7560
M4WF-C075-CAV-020	RST55C1E-CAV-109	24.00	16.10	10.70	3/8	5/8	8.5		3230		7560
M4WH-C025-IAA-020	ASE19C3E-IAA-103	17.90	12.77	8.97	1/4	3/8	10			2790	
M4WH-C036-IAA-020	ASE24C3E-IAA-103	17.90	12.77	8.76	1/4	3/8	7.5			3520	
M4WH-C036-IAV-020	ASE24C3E-IAV-103	17.90	12.77	8.76	1/4	3/8	5.3			3520	
M4WH-C050-CAA-020	ASE32C3E-CAA-103	17.90	12.77	9.26	1/4	3/8	11.5			5130	
M4WH-C050-CAV-020	ASE32C3E-CAV-103	17.90	12.77	9.26	1/4	3/8	6.1			5130	
M4WL-C033-IAA-020	AFE11C3E-IAA-103	24.00	16.41	9.51	1/4	3/8	7.7		1370		
M4WL-C040-IAA-020	AFE13C3E-IAA-103	24.00	16.41	9.51	1/4	3/8	8.7		1970		
M4WL-C075-CFA-020	RST64C1E-CFA-108	24.00	16.40	10.70	3/8	5/8	19		4100		
M4WL-C075-IAV-020	RST64C1E-IAV-108	24.00	16.40	10.70	3/8	5/8	11.8		4100		
M4WL-D067-CAA-020	RFT26C1E-CAA-102	24.00	16.40	9.90	1/4	1/2	14.1		3290		
M4WL-H025-IAA-020	AFE08C4E-IAA-103	24.00	16.40	9.51	1/4	3/8	5.6		900		
M4WL-H051-IAA-020	AFE17C4E-IAA-103	24.00	16.41	9.51	1/4	3/8	10.4		2140		
MBAH-0075-CFA-020	RRT81C1-PFA-199	24.00	17.50	13.10	3/8	5/8	18.3				
MBAH-0075-CFV-020	RRT81C1-PFV-199	24.00	17.50	13.10	3/8	5/8	9.3				
MBAM-0050-IAA-212	RRT64C1-IAA-198	16.20	13.70	11.70	1/4	1/2	14.6				
MBAM-0050-IAV-212	RRT64C1-IAV-198	16.00	13.68	11.74	1/4	1/2	8.6				
MBAM-0075-CFA-020	RRT10K1-PFA-199	24.00	17.50	13.07	3/8	5/8	19				
MBAM-0075-CFV-020	RRT10K1-PFV-199	24.00	17.50	13.10	3/8	5/8	11.2				
MBFH-0050-IAA-103	ART62C1-IAA-103	17.90	13.10	11.80	1/4	3/8	13.8				
MBFH-0050-IAA-109	ART62C1-IAA-103	17.90	13.10	11.80	1/4	3/8	13.8				
MBFH-0050-IAA-201	ART62C1-IAA-103	16.20	13.10	11.80	1/4	3/8	13.8				
MBFH-0050-IAA-272	ART62C1-IAA-103	16.30	13.08	11.67	1/4	1/2	13.8				
MBFH-A026-IAA-103	ARE27C3-IAA-103	13.80	11.50	9.70	1/4	3/8	6.9				
MBFH-A049-CAA-272	ARE51C4-CAA-199	16.30	13.10	11.70	1/4	3/8	14				
MBFH-A050-IAA-272	RRT62C1-IAA-199	16.60	13.70	11.70	1/4	3/8	12.8				
MBFH-B026-IAA-072	ARE29C4-IAA-199	14.40	12.90	11.40	1/4	3/8	7.4				
MBFH-B026-IAA-103	ARE29C4-IAA-199	13.90	11.50	9.70	1/4	3/8	7.4				
MBFH-B026-IAA-111	ARE29C4-IAA-199	13.90	11.30	9.70	1/4	3/8	7.4				
MBFL-0034-IAA-020	AFT12C1-IAA-103	16.00	12.40	9.60	1/4	3/8	7				
MBFL-0034-IAA-103	AFT12C1-IAA-103	16.20	12.40	9.70	1/4	3/8	7				
MBFL-0034-IAA-111	AFT12C1-IAA-103	16.00	12.30	9.70	1/4	3/8	7				
MBFL-A034-IAA-020	AFE12C4-IAA-199	16.00	12.40	9.60	1/4	3/8	8.7				
MBFL-A034-IAA-103	AFE12C4-IAA-199	16.20	12.40	9.70	1/4	3/8	8.7				
MBFL-A034-IAA-111	AFE12C4-IAA-199	16.20	12.20	9.70	1/4	3/8	8.7				
MBFS-0017-SAA-102	ARB13C3-SAA-100	13.80	11.10	9.70	1/4	3/8	4.2				
MBFS-0017-SAA-111	ARB13C3-SAA-100						4.2				
MBFS-0024-SAA-102	ARE25C3-SAA-103	13.80	11.30	9.70	1/4	3/8	6.3				
MBFS-0024-SAA-111	ARE25C3-SAA-103						6.3				
MBFS-0033-IAA-103	ARE37C3-IAA-103	13.80	11.50	9.70	1/4	3/8	9.7				
MBFS-0033-IAA-111	ARE37C3-IAA-103	13.80	11.30	9.70	1/4	3/8	9.7				
MBFS-0033-IAA-212	ARE37C3-IAA-103	13.80	11.90	9.60	1/4	3/8	9.7				
MBFS-0033-IAA-240	ARE37C3-IAA-103	13.90	10.75	9.62	1/4	3/8	9.7				
MBFS-0033-IAA-272	ARE37C3-IAA-103	14.14	12.33	11.15	1/4	3/8	9.7				
MBFS-A033-IAA-103	ARE40C4-IAA-199	13.90	11.50	9.70	1/4	3/8	9.5				
MBFS-A033-IAA-111	ARE40C4-IAA-199	13.90	11.50	9.70	1/4	3/8	9.5				
MBFS-A033-IAA-272	ARE40C4-IAA-199	14.40	12.90	11.40	1/4	3/8	9.5				
MBWH-C050-IAA-020	ART62C1-IAA-103	17.90	12.77	9.78	1/4	3/8	12.9				
MCEH-0035-IAA-103	ARE43C3-IAA-103	16.00	14.00	11.78	1/4	3/8	9.7				
MCEH-0035-IAA-111	ARE43C3-IAA-103	16.00	15.20	11.78	1/4	3/8	9.7				
MCEH-0035-IAA-212	ARE43C3-IAA-103	16.17	15.29	11.78	1/4	3/8	9.7				
MCEH-0048-CAV-103	ARE59C3-CAV-103	16.00	15.20	11.75	1/4	3/8	5.6				
MCEH-0048-CAV-111	ARE59C3-CAV-103	16.00	15.20	11.75	1/4	3/8	5.6				

Rcommended New Model	Available BOMs	Service Compressor	New L	New W	New H	New Liquid	New Suction	New MCA	New Rated Capacities			
									LT_134a	LT_404A	MT_134a	MT_404A
M6TM-0022-IAA-117	108, 118	ASE14C4E-IAA-901	19.00	9.41	10.53	1/4	3/8	6.7		1040		2120
M6TM-0022-IAA-118	108, 118	ASE14C4E-IAA-901	19.00	9.41	10.53	1/4	5/16	6.7		1040		2120
M6TM-0022-IAA-108	108, 118	ASE14C4E-IAA-901	19.04	8.47	10.53	1/4	5/16	6.7		1040		2120
M6TM-0022-IAA-108	108, 118	ASE14C4E-IAA-901	19.04	8.47	10.53	1/4	5/16	6.7		1040		2120
M6TM-0022-IAA-118	108, 118	ASE14C4E-IAA-901	19.00	9.41	10.53	1/4	5/16	6.7		1040		2120
M6WF-0056-IAA-020	020	RST45C1E-IAA-901	18.30	12.87	9.99	3/8	1/2	13.1				
M6WF-0056-IAA-020	020	RST45C1E-IAA-901	18.30	12.87	9.99	3/8	1/2	13.1				
M6WF-0056-IAV-020	020	RST45C1E-IAV-901	18.30	12.87	9.99	3/8	1/2	6.6				
M6WF-0075-CAA-020	020	RST55C1E-CAA-901	24.23	16.10	11.85	3/8	1/2	18.8				
M6WF-0075-CAV-020	020	RST55C1E-CAV-901	24.23	16.10	11.85	3/8	1/2	8.5				
M6WH-0025-IAA-020	020	ASE20C4E-IAA-901	18.18	13.20	9.42	1/4	3/8	7.5				
M6WH-0036-IAA-020	020	ASE24C5E-IAA-901	18.18	13.21	9.92	1/4	3/8	7.8				
M6WH-0036-IAV-020	020	ASE24C5E-IAV-901										
M6WH-0050-CAA-020	020	ASE32C5E-CAA-901	18.18	12.97	9.92	1/4	3/8	9.4				
M6WH-0050-CAV-020	020	ASE32C5E-CAV-901										
M6WL-0033-IAA-020	020	AFE11C4E-IAA-901	24.00	16.41	9.73	1/4	3/8	5.9				
M6WL-0040-IAA-020	020	AFE14C5E-IAA-901	24.00	16.41	10.23	1/4	3/8	8.2				
M6WL-0075-CFA-020	020	RST64C1E-CFA-901	24.00	16.41	11.87	3/8	1/2	18.9				
M6WL-0075-IAV-020	020	RST64C1E-IAV-901	24.00	16.41	10.46	3/8	1/2	11.8				
M6WL-0067-CAA-020	020	RFT26C1E-CAA-901	24.00	16.41	11.87	3/8	1/2	14				
M6WL-0025-IAA-020	020	AFE08C4E-IAA-901	24.00	16.41	9.73	1/4	3/8	5.5				
M6WL-0051-IAA-020	020	AFE17C4E-IAA-901	24.00	16.41	10.18	1/4	3/8	10.4				
Obsolete R12 unit												
Obsolete R12 unit												
Obsolete R12 unit												
Obsolete R12 unit												
Obsolete R12 unit												
Obsolete R12 unit												
Obsolete R12 unit												
Obsolete R12 unit												
Obsolete R12 unit												
Obsolete R12 unit												
Obsolete R12 unit												
Obsolete R12 unit												
Obsolete R12 unit												
Obsolete R12 unit												
Obsolete R12 unit												
Obsolete R12 unit												
Obsolete R12 unit												
Obsolete R12 unit												
Obsolete R12 unit												
Obsolete R12 unit												
Obsolete R12 unit												
Obsolete R12 unit												
Obsolete R12 unit												
Obsolete R12 unit												
Obsolete R12 unit												
Obsolete R12 unit												
Obsolete R12 unit												
Obsolete R12 unit												
Obsolete R12 unit												
Obsolete R12 unit												
Obsolete R12 unit												
Obsolete R12 unit												
Obsolete R12 unit												
Obsolete R22 Unit												
Obsolete R22 Unit												
Obsolete R22 Unit												
Obsolete R22 Unit												
Obsolete R22 Unit												

Copeland to Copeland Cross Reference

Old Model	Compressor Model	Length	Width	Height	Liquid Conn.	Suction Conn.	MCA	Old Rated Capacities			
								LT_134A	LT_404A	MT_134A	MT_404A
MCEH-0048-CAV-208	ARE59C3-CAV-103	16.17	15.29	11.78	1/4	3/8	5.6				
MCEH-A048-CAA-212	ASE35C4-CAA-199	16.10	15.10	11.80	1/4	3/8	15.9				
MCFH-0027-IAA-111	ARE36C3-IAA-103	13.82	11.25	9.67	1/4	3/8	9.1				
MCFH-0049-CAB-252	ARE59C3-CAV-103	16.00	13.20	11.70	1/4	3/8	5.4				
MCFH-0049-CAV-104	ARE59C3-CAV-103	16.00	13.10	11.80	1/4	3/8	5.6				
MCFH-0049-CAV-111	ARE59C3-CAV-103	16.06	12.68	11.81	1/4	3/8	5.6				
MCFH-0049-CAV-212	ARE59C3-CAV-103	16.06	13.08	11.81	1/4	3/8	5.6				
MCFH-0050-CAB-251	ARE59C3-CAV-103	17.40	14.40	11.80	1/4	3/8	5.6				
MCFH-0050-CAB-252	ARE59C3-CAV-103	17.38	12.41	11.82	1/4	3/8	5.6				
MCFH-0050-CAV-212	ARE59C3-CAV-103	17.40	14.40	11.80	1/4	3/8	6				
MCFH-0078-CAA-072	RST55C1-CAA-198	24.00	17.14	13.07	3/8	5/8	20.8				
MCFH-0078-CAV-072	RST55C1-CAV-198	24.00	17.20	13.10	3/8	5/8	9.7				
MCFH-A022-IAA-103	ASE12C4-IAA-199	13.90	11.70	9.70	1/4	3/8	5.9				
MCFH-A022-IAA-111	ASE12C4-IAA-199	13.90	11.30	9.70	1/4	3/8	5.9				
MCFH-A027-IAA-103	ASE19C4-IAA-199	13.91	11.47	9.67	1/4	3/8	7.7				
MCFH-A027-IAA-272	ASE19C4-IAA-199	14.42	12.89	11.36	1/4	3/8	7.7				
MCFH-A036-IAA-103	ASE20C4-IAA-199	16.15	12.87	11.74	1/4	3/8	8.4				
MCFH-A036-IAA-111	ASE20C4-IAA-199						8.4				
MCFH-A036-IAA-272	ASE20C4-IAA-199	16.27	13.08	11.73	1/4	3/8	8.4				
MCFH-A049-CAA-020	ASE35C4-CAA-199						15.9				
MCFH-A049-CAA-103	ASE35C4-CAA-199	16.00	12.90	11.70	1/4	3/8	15.9				
MCFH-A049-CAA-111	ASE35C4-CAA-199				1/4	3/8	15.9				
MCFH-A049-CAA-272	ASE35C4-CAA-199	16.56	13.08	11.74	1/4	3/8	15.9				
MCFH-A049-IAV-272	ASE35C4-IAV-199	16.60	13.10	11.70	1/4	3/8	8.3				
MCFH-A056-IAA-020	RST40C1-IAA-198						15.5				
MCFH-A056-IAA-272	RST40C1-IAA-198	17.38	14.38	11.82	1/4	5/8	15.5				
MCFH-A056-IAV-272	RST40C1-IAV-198	17.38	14.38	11.82	1/4	5/8	7.3				
MCFH-B027-IAA-020	ASE20C4-IAA-199						8.2				
MCFH-B027-IAA-103	ASE20C4-IAA-199	13.90	11.50	9.70	1/4	3/8	8.2				
MCFH-B027-IAA-111	ASE20C4-IAA-199	13.90	11.30	9.70	1/4	3/8	8.2				
MCFH-B027-IAA-272	ASE20C4-IAA-199	14.40	12.90	11.40	1/4	3/8	8.2				
MCFH-B036-IAA-103	ASE26C4-IAA-199	16.00	12.80	11.70	1/4	3/8	10.3				
MCFH-B036-IAA-111	ASE26C4-IAA-199	16.20	12.70	11.70	1/4	1/2	10.3				
MCFH-B036-IAA-272	ASE26C4-IAA-199	16.54	13.08	11.73	1/4	3/8	10.3				
MCFH-N040-IAA-199	ASE26C4-IAA-199						9.4				
MCPH-0035-IAA-111	ARE43C3-IAA-103	19.88	11.00	10.52	1/4	3/8	9.7				
MCPH-0035-IAA-208	ARE43C3-IAA-103	19.88	11.01	10.52	1/4	3/8	9.7				
MCPH-0035-IAA-212	ARE43C3-IAA-103	19.88	11.14	10.52	1/4	3/8	9.7				
MCPH-0048-CAV-103	ARE59C3-CAV-103	11.00	20.00	10.57	1/4	3/8	5.6				
MCPH-0048-CAV-111	ARE59C3-CAV-103	11.00	20.00	10.57	1/4	3/8	5.6				
MCPH-0048-CAV-208	ARE59C3-CAV-103	11.00	20.00	10.57	1/4	3/8	5.6				
MCPH-A035-IAA-212	ASE26C4-IAA-199	19.88	11.08	10.46	1/4	3/8	10.3				
MCPH-A048-CAA-212	ASE35C4-CAA-199	19.90	11.20	10.50	1/4	3/8	15.9				
MCPH-A048-IAV-212	ASE35C4-IAV-199	19.90	11.20	10.50	1/4	5/16	8				
MCPH-B027-IAA-212	ASE20C4-IAA-199	19.90	11.30	10.50	1/4	3/8	8.2				
MCWH-0078-CAA-020	RST55C1-CAA-198	24.23	17.79	10.71	3/8	5/8	18.8				
MCWH-0078-CAV-072	RST55C1-CAV-198	24.30	17.80	12.40	3/8	5/8	8.5				
MCWH-A056-IAA-020	RST40C1-IAA-198	17.90	12.70	10.50	1/4	5/8	13.8				
MCWH-A056-IAV-020	RST40C1-IAV-198	17.90	12.70	10.50	1/4	5/8	6.3				
MCWH-C027-IAA-020	ARE36C3-IAA-103	17.90	12.98	8.65	1/4	3/8	8.3				
MCWH-D036-IAA-020	ASE26C4-IAA-199	17.20	12.80	9.00	1/4	3/8	9.4				
MCWH-D049-CAA-020	ASE35C4-CAA-199	17.92	12.93	8.96	1/4	3/8	15				
MCWH-D049-IAV-020	ASE35C4-IAV-199	17.92	12.93	8.96	1/4	3/8	7.4				
MFFP-H022-IAA-272	ASE12C4E-IAA-103	14.49	12.68	11.36	1/4	3/8	5.5				

1670

Emerson™ Electronic Unit Controller (EUC)

Part #	Description
943-0152-00	115V Electronic Unit Controller
943-0153-00	230V Electronic Unit Controller
943-0154-00	115V Electronic Unit Controller with Fan Cycling
943-0155-00	230V Electronic Unit Controller with Fan Cycling
929-0114-00	Electronic Unit Controller Suction Pressure Transducer (150 PSIA)
929-0113-00	DLT Sensor Kit



Hold 3 Seconds to Enter Menu (PSI Light Will Flash) ▾ + SET

Cycle Through Menu Options ▲ ▾

Select Function SET

Adjust Value ▲ ▾

Store Function SET

Exit Menu ▲ + SET

Functions

[in]
Low Pressure Cut-In

[CoU]
Low Pressure Cut-Out

More information inside panel

Alarm	Description	Alarm	Description
PoF	Keypad locked	HP	High pressure trip alarm
Pon	Keypad unlocked	HA	High condenser temperature alarm
P1	Suction probe failure	HPL	High pressure trip lock-out alarm
P2	Condenser probe failure		
P3	DLT probe failure		
dLt	DLT temperature alarm		
dLL	DLT lock alarm		
EE	Module Failure		

Scan for Electronic Unit Controller Alarm Code and Service Information
052-7269-00

Note: After 15 seconds of inactivity the controller will revert to the default display

BUTTON	DESCRIPTION
SET	Displays set point In programming mode it confirms an operation.
RESTART	Allows a manual restart and a dead band reset
→ SERVICE	To enter the service menu.
[in] Alarm menu	To enter the Alarm menu.

Note: Fan Cycling (If Present) is controlled by the Saturated Condenser Temperature for equal runtime

Default Factory Settings For Replacement Controller

Cin = 25 AC = 6 P1E = 135 dly = 0 bEn = 4
 CoU = 15 ono = 0 P1d = 15 bMP = no Di1 = YES
 LS = 5 Con = 5 Unt = PSI On = 2 i1P = CL
 US = 135 CoF = 5 CF = F oFF = 5 Di1 = no
 odS = 2 P1i = -15 rES = in Nub = 3 i2P = CL

Call 1-888-367-9950 or
see www.EmersonClimate.com/EUC for more details

Visit Emerson.com/mobileapps to download FREE apps for your mobile device!



AE Bulletins



HVACR Fault Finder



Emerson X-Check™



HVAC Check & Charge



Emerson e-Saver™



Copeland™ Select



WRMobile



Vilter™ Docs



Copeland™ Mobile



Copeland X-Ref™



Emerson PTPro™



ProAct Alerts

More Soon – We're listening to you!

Application Engineering Bulletins

4-1255	U.L. and C.S.A. Agency File Numbers
4-1273	Factors to Consider in Converting Compressor Rated Capacity to Actual Capacity
4-1292	Medium Temperature R-22 Copelaweld Compressors
4-1295	HFC-134A Refrigerant Guidelines
4-1298	Extended Medium Temperature R-404A/507 Hermetic Compressors and Condensing Units
4-1305	Copeland™ AF, AR, & AS Refrigeration Hermetic Compressors for Multiple Refrigerants
4-1306	Application Guidelines for RF Low Temperature Refrigeration Compressors
4-1307	Application Guidelines for CF Refrigeration Compressors and Condensing Units
5-1340	Care and Cleaning of Air-Cooled Condensing Units
5-1174	Water Flow Requirements and Water Pressure Drop for Copeland Water-Cooled Condensing Units
4-1344	Application Guidelines for RFT, RRT, RST Compressors
8-1376	Electronic Unit Controller
11-1147	Suction Accumulators
17-1260	Compressor Overheating
17-1268	Compression Ratio as it Affects Compressor Reliability
22-1182	Liquid Refrigerant Control in Refrigeration and Air Conditioning Systems

About Emerson

Emerson (NYSE: EMR), headquartered in St. Louis, Missouri (USA), is a global technology and engineering company providing innovative solutions for customers in industrial, commercial, and residential markets. Our Emerson Automation Solutions business helps process, hybrid, and discrete manufacturers maximize production, protect personnel and the environment while optimizing their energy and operating costs. Our Emerson Commercial and Residential Solutions business helps ensure human comfort and health, protect food quality and safety, advance energy efficiency, and create sustainable infrastructure. For more information visit [Emerson.com](https://www.emerson.com).

Connect with Emerson
Commercial & Residential Solutions



[Emerson.com](https://www.emerson.com)

2011DS-4_M Line_R2 (4/18) Emerson, Copeland Scroll, Copeland PerformanceAlert, Copevap and Discus are trademarks of Emerson Electric Co. or one of its affiliated companies. ©2018 Emerson Climate Technologies, Inc. All rights reserved.

EMERSON. CONSIDER IT SOLVED.™