

# SERIES 35-65

## 24 VAC Microprocessor-Based Hot Surface Ignition Control

F-35-65  
October 2018

### FEATURES

- Safe start with DETECT-A-FLAME® flame sensing technology
- Custom pre-purge and inter-purge timings\*
- 120/240 field selectable line voltage for use with 120 VAC igniter option
- 24/120/240 VAC hot surface igniter models available
- Single or three trials for ignition
- System diagnostic LED
- Flame current test points
- Local or remote flame sensing
- Automatic reset\*\*

### APPLICATIONS

- Gas furnaces
- Boilers
- Commercial cooking
- Water heaters
- Other gas-fired appliances

### DESCRIPTION

The 35-65 is a 24 VAC hot surface ignition (HSI) control designed for use in all types of gas-fired appliances. The control uses a microprocessor to continually and safely monitor, analyze and control the proper operation of a gas burner. On-board diagnostics with LED output makes troubleshooting easy and ensures safe and efficient operation.

### Export Information (USA)

Jurisdiction: EAR  
ECCN: EAR99

### AGENCY CERTIFICATIONS



Design certified by CSA International to ANSI Z21.20, CAN/CSA C22.2 No. 199-M89



CE Approved to EN298-2012



Factory Mutual approval on select models

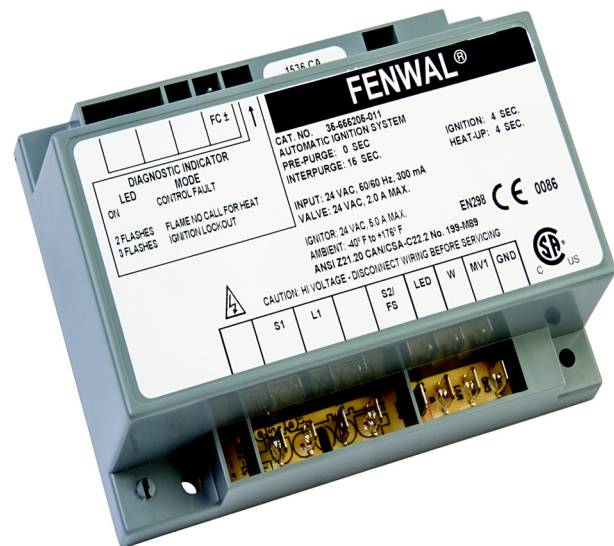


Code Compliant to:  
AS 4625 - 2008  
AS 4622 - 2004

\*Pre-purge time cannot exceed inter-purge time on CE Approved models.

\*\*Automatic reset is not allowed for CE Approved models.

\*\*\*EMC emission requirements shall be verified after incorporation of the burner control system into the end use appliance.



### SPECIFICATIONS

Input Power	Control: 18 to 30 VAC 50/60 Hz (Class 2 Transformer)
Line Voltage	Line: 24, 120 or 240 VAC (L1 and L2 only)
Input Current	300 mA max @ 24 VAC with gas valve relay energized (control only)
Gas Valve	2.0A max @ 24 VAC
Hot Surface Igniter	5.0A max @ 24/120/240 VAC
Operating Temperature	-40°F to +176°F (-40°C to 80°C)
Storage Temperature	-40°F to +185°F (-40°C to +85°C)
Flame Sensitivity	0.7 µA minimum
Flame Failure Response	0.8 seconds maximum
Flame Detector Self-check Rate	Once per second minimum
Gas Types	Natural, LP, or manufactured
Size (LxWxH) with enclosure	5.69 x 3.94 x 1.87 inches (14.45 x 10.01 x 4.75 cm)
Moisture Resistance	Conformal coated to operate non-condensing to 95% R.H. Module should not be exposed to water
Ingress Protection	Not rated, protection provided by appliance in which it is installed
Tries for Ignition	One or three try versions available
Trial for Ignition Periods	4, 7, 10, 15 seconds available
Pre-purge and Inter-purge Timings	0, 15 or 30 seconds available

## SEQUENCE OF OPERATION / FLAME RECOVERY / SAFETY LOCKOUT

### Start-Up - Heat Mode

When a call for heat is received from the thermostat supplying 24 VAC to W, the control will reset, perform a self-check routine, flash the diagnostic LED and begin a pre-purge delay. Following the pre-purge period, the igniter is energized for the heat up period and then the gas valve is energized for the Trial For Ignition (TFI) period.

When the flame is detected during the TFI, the igniter is deactivated and the gas valve remains energized. The thermostat and burner flame are constantly monitored to assure proper system operation. When the thermostat is satisfied and the demand for heat terminates, the gas valve is immediately de-energized.

### Failure to Light - Lockout

#### SINGLE TRIAL MODEL

Should the burner fail to light, or a flame is not detected during the TFI period, the gas valve will de-energize and the control will go into lockout. The LED will indicate the fault code for ignition lockout.

#### MULTI-TRIAL MODEL

Should the main burner fail to light or the flame is not detected during the first TFI period, the gas valve will immediately de-energize. The control will then go into an optional inter-purge delay before attempting another TFI period. The control attempts two additional ignition trials before de-energizing the gas valve and entering lockout. The LED will indicate the fault code for ignition lockout.

#### FLAME FAILURE-RECYCLE MODE


Upon loss of flame, the gas valve is de-energized and the control proceeds to inter-purge before attempting to relight the flame. Multi-try models permit three tries for ignition including inter-purges. If the burner relights, normal operation resumes. If the burner does not relight, the control will enter lockout.


### Lockout Recovery


Recovery from lockout requires a manual reset by either resetting the thermostat, or removing 24 VAC for a period of 5 seconds. On models with automatic reset, if the thermostat is still calling for heat after one hour, then the control will automatically reset and attempt to ignite the burner.


## MOUNTING AND WIRING

The Series 35-65 control is not position sensitive and can be mounted vertically or horizontally. The case may be mounted on any surface with #6 sheet metal screws. The control also supports direct mounting to a standard NEC 4-in. junction box.

 <b>CAUTION</b>	All wiring must be performed in accordance with both local and national electrical codes.
---	---

 <b>CAUTION</b>	Label all wires prior to disconnection when servicing controls. Wiring errors may cause improper and dangerous operation. A functional checkout of a replacement control should always be performed.
---	--

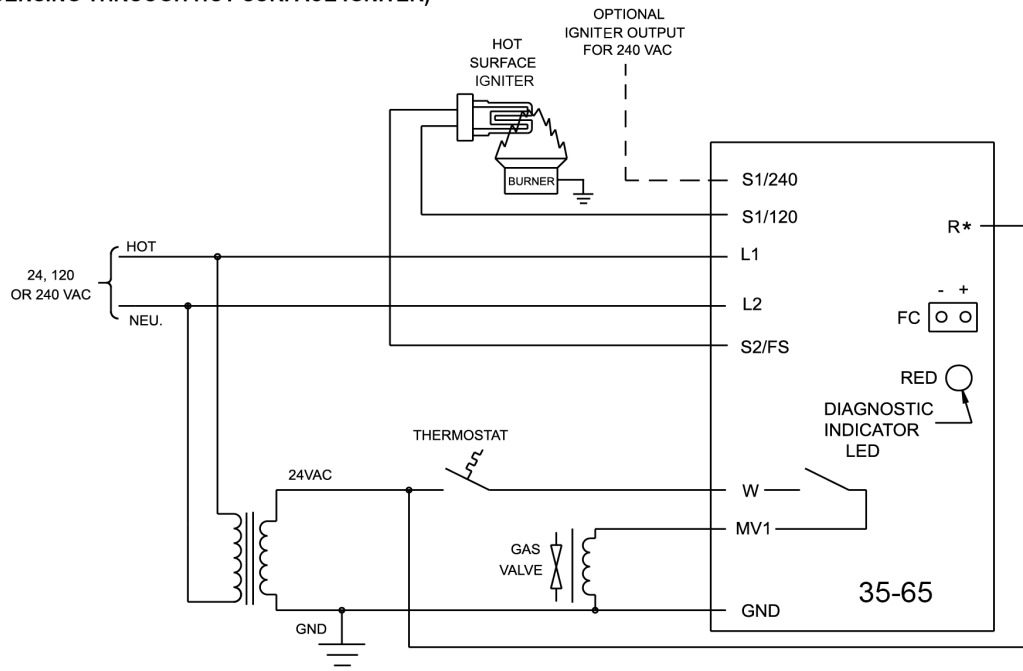
 <b>WARNING</b>	This product uses voltages of shock hazard potential. Wiring and initial operation must be performed by a qualified service technician.
---	---

 <b>WARNING</b>	Operation outside specifications could result in failure of the Fenwal product and other equipment with potential for injury to people and property.
---	--

Terminal Designations		
Terminal	Description	Termination (inch)
S1-240	240 VAC Igniter	1/4" Quick Connect
S1-120	120 VAC Igniter	1/4" Quick Connect (or 5-pin Mate-N-Lok)
L1	120/240VAC Input (Hot)	1/4" Quick Connect (or 5-pin Mate-N-Lok)
L2	Neutral	1/4" Quick Connect (or 5-pin Mate-N-Lok)
S2	Igniter/Remote Flame Sense	1/4" Quick Connect (or 5-pin Mate-N-Lok)
R	24 VAC supply to processor (optional full time power)	1/4" Quick Connect
W	Thermostat Input	1/4" Quick Connect
MV1	Main Valve Power	3/16" Quick Connect
GND	System Ground	3/16" Quick Connect
FC+ & FC-	Flame Current Test Pins	Varies by model

# Wiring Diagrams - Series 35-65

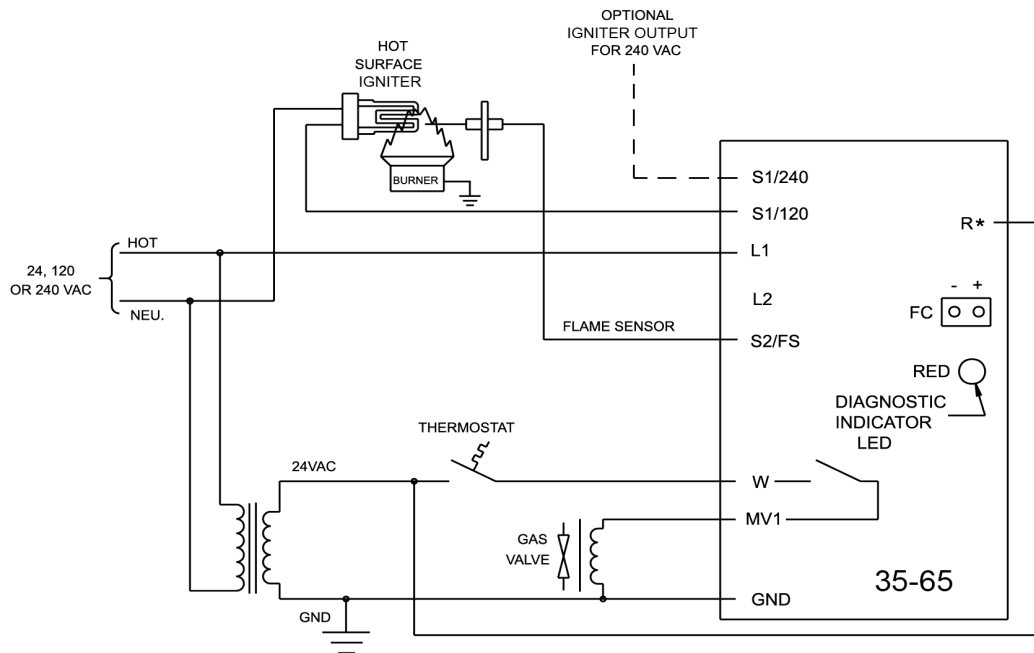
## LOCAL FLAME SENSING (SENSING THROUGH HOT SURFACE IGNITER)



\* R TERMINAL IS ONLY USED ON CONTROLS WITH FULL TIME POWER

Figure 1. Local Sense

## REMOTE FLAME SENSING (SENSING THROUGH INDEPENDENT FLAME ROD)



\* R TERMINAL IS ONLY USED ON CONTROLS WITH FULL TIME POWER

Figure 2. Remote Sense

## TROUBLESHOOTING

Troubleshooting Guide	
Symptom	Recommended Actions
1. Control does not start	A. Miswired B. 24 VAC transformer fault C. Fuse circuit breaker fault D. Faulty control, check LED for steady on or flashing codes
2. Thermostat on - no ignition	A. Miswired B. Faulty thermostat, no voltage at thermostat terminal W C. Failed igniter
3. Valve on - no igniter	A. Defective igniter B. Miswired C. Fault control, check voltage at igniter
4. Igniter on - no valve	A. Valve coil open B. Open valve wire C. Faulty control, check voltage at gas valve terminal
5. Flame okay during TFI - no flame sense after TFI	A. Faulty igniter B. Faulty S1 wire C. Poor ground at burner D. Poor flame, check flame current

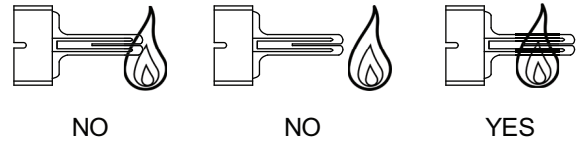
Fault Conditions	
LED Indication	Fault Mode
Steady On	Internal Control Failure
2 Flashes	Flame without call for heat
3 Flashes	Ignition Lockout

**Note:** During a fault condition, the LED will flash on for 1/4 second and off for 1/4 second as needed to indicate the fault code. The code will repeat every 3 seconds. Removing power from the control will clear the fault code.

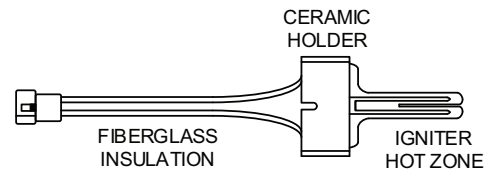
## Hot Surface Igniter

Proper location of the silicon hot surface igniter is important to achieve optimum system performance for both ignition and flame sensing. See figure below.

**Note:** The temperature of the ceramic holder should not exceed the manufacturer's specifications.



## Typical Hot Surface Igniter



## Flame Current Measurement

Flame current is the current that passes through the flame from sensor to ground. To measure flame current, connect a True RMS or analog DC micro-ammeter to the FC+ and FC- terminals. Readings should be 1.0  $\mu$ A DC or higher. If the meter reads negative or below "0" on scale, meter leads are reversed. Reconnect leads with proper polarity.

Alternately, a Digital Voltmeter may be used to measure DC voltage between FC+ and FC- terminals. Each micro-amp of flame current produces 1.0 VDC. For example, 2.6 VDC equates to 2.6  $\mu$ A.

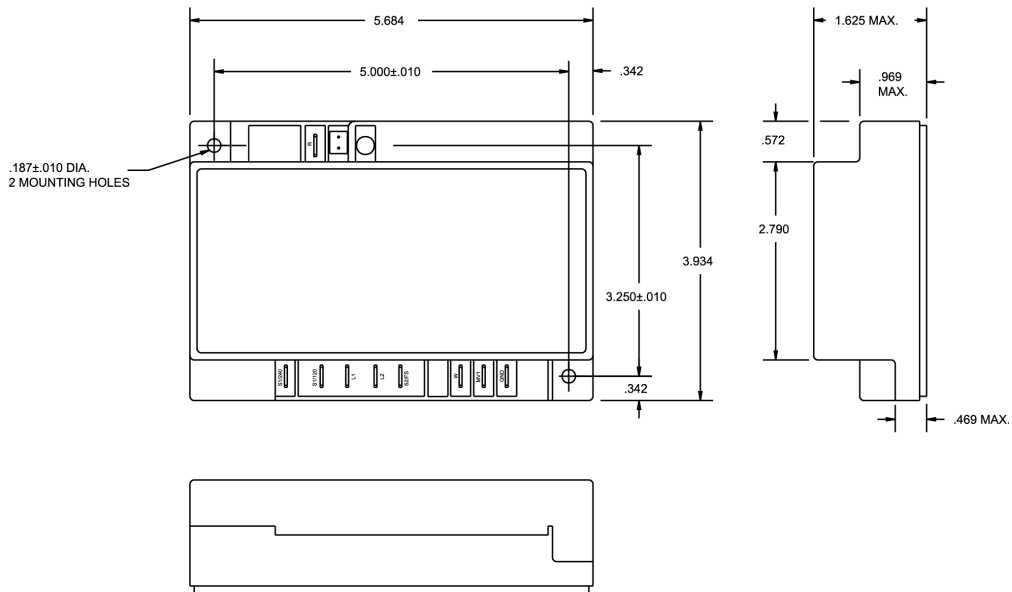
A good burner ground that matches the control ground is critical for reliable flame sensing.

## Remote Sense Cable Requirements

Remote flame sense cable must meet a voltage rating of 250V and an insulation rating of 200 °C. Recommended length of 10ft (3m) or less. Consult Factory for longer lengths.

# DIMENSIONS

## FRONT AND SIDE VIEWS



**Note:** All dimensions are in inches.

Figure 3. Standard Enclosure

# PART NUMBER CONFIGURATION

## SERIES 35 - 65 XX XX - XXX

### Product Designation

2 = 120/240 Field Selectable Line Voltage  
5 = Standard

### Igniter Options

0 = 120/240 VAC Mini-Igniter (6 Second Heat-Up)  
2 = 24 VAC Mini-Igniter (4 Second Heat-Up) CE Approved\*  
5 = 120/240 VAC Igniter (20 Second Heat-Up)  
6 = 120/240 VAC Igniter (40 Second Heat-Up)  
7 = 24 VAC Mini-Igniter (4 Second Heat-Up)

### Special Configurations

3 = Special CE Approved Model\*  
8 = Aftermarket Kit  
9 = Special Configuration

A 3, 8 or 9 in this location (i.e. 35-65 5 90 -113) indicates a special configuration. 9XX is a sequentially assigned part number and does not follow the standard part numbering configuration.

Consult Fenwal for operating characteristics of this control.

\*On CE Approved models, pre-purge time cannot exceed inter-purge time and automatic reset is not permitted.

### Trial for Ignition

1 = 4 Seconds  
3 = 7 Seconds  
5 = 10 Seconds  
7 = 15 Seconds

### Inter-Purge

0 = None  
1 = 15 Seconds  
2 = 30 Seconds

### Pre-Purge

0 = None  
1 = 15 Seconds  
2 = 30 Seconds

### Tries for Ignition

0 = Single Try without Automatic Reset  
1 = Single Try with 1 Hour Automatic Reset  
5 = Three Tries without Automatic Reset  
6 = Three Tries with 1 Hour Automatic Reset

### Terminations

0 = ALL Q.C. Terminals without Full Time Power (W Only)  
1 = Mate-N-Lok (5 Pos.) with Q.C. Terminals without Full Time Power (W Only)  
2 = Mate-N-Lok (2 Pos.) with Q.C. Terminals without Full Time Power (W Only)  
5 = ALL Q.C. Terminals with Full Time Power (R Terminal)  
6 = Mate-N-Lok (5 Pos.) with Q.C. Terminals with Full Time Power (R Terminal)

### EXPORT INFORMATION (USA)

Jurisdiction: EAR  
Classification: EAR99

DETECT-A-FLAME is a registered trademark of Kidde-Fenwal, Inc., or its parents, subsidiaries, or affiliates.

This document contains technical data subject to the EAR.



Fenwal Controls, Kidde-Fenwal Inc.  
400 Main Street  
Ashland, MA 01721  
Tel: 800-FENWAL-1  
Fax: 508-881-7619  
[www.fenwalcontrols.com](http://www.fenwalcontrols.com)

This literature is provided for informational purposes only. KIDDE-FENWAL, INC. assumes no responsibility for the product's suitability for a particular application. The product must be properly applied to work correctly. If you need more information on this product, or if you have a particular problem or question, contact KIDDE-FENWAL, INC., Ashland, MA 01721.

## EU DECLARATION OF CONFORMITY

### We

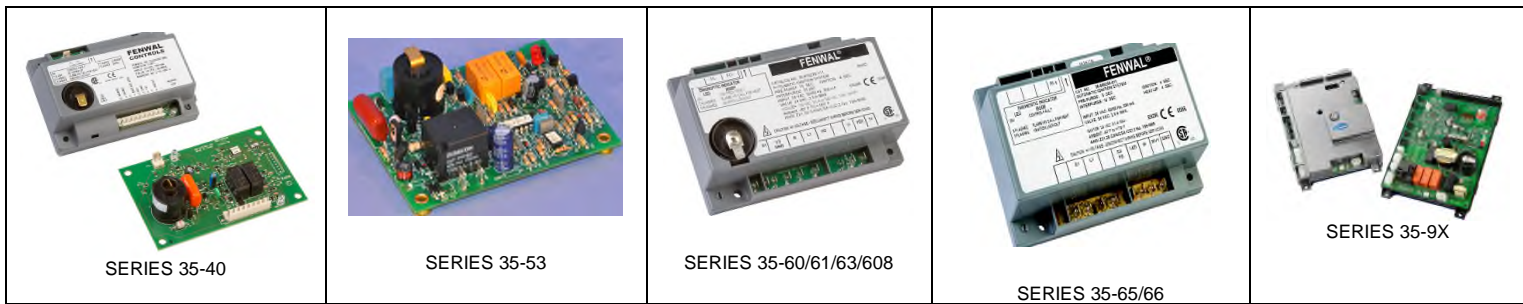
Company Name: Kidde-Fenwal Inc.  
 Postal Address: 400 Main Street  
 City and Post Code: Ashland, MA 01721  
 Tel: 508-881-2000

**Declare that the DoC is issued under sole responsibility and belongs to the following product:**

Apparatus Model(s) Series 35-40, 35-53, 35-60, 35-61, 35-63, 35-608, 35-65, 35-66, 35-9X  
 Type: Fitting  
 Batch Number Date code and Revision Level Assigned per production lot, (YYWW RR)

### Object of the Declaration:

Series 35-40, 12/24Vdc Direct Spark Automatic Gas Ignition Controllers  
 Series 35-53, 12Vdc Direct Spark Automatic Gas Ignition Controllers  
 Series 35-60, 35-61, 35-63, 35-608 24Vac Direct Spark Automatic Gas Ignition  
 Series 35-65 & 35-66 24Vac Hot Surface Automatic Gas Ignition Controllers  
 Series 35-9X Platform Ignition Module



**The object of the declaration described above is in conformity within the relevant union harmonization legislation:**

Gas Appliance Regulation:	(EU) 2016/426	Low Voltage Directive:	2014/35/EC
EMC Directive:	2014/30/EC	Rohs	2011/65/EU

**The following harmonized standards and technical specifications have been applied:**

EN298:2012: Automatic Burner Control systems for Burners and appliances burning gaseous or liquid fuels.  
EN13611:2007 A2:2011: Safety and control devices for Gas Burners and Gas burning appliances – General Requirements.

Name of Notified Body & Number: BSI Group, 0086, EU Type Examination Certification

Notified Body Certificate No.:	Series 35-40:	CE682407
	Series 35-53	CE682404
	Series 35-60/61/63/608	CE682405
	Series 35-65/66	CE682406
	Series 35-9x	CE690652

Surveillance Audit Notified Body: BSI Group

For copies of the Installation Instructions and the EU DoC, got to [www.fenwalcontrols.com](http://www.fenwalcontrols.com), - Document Library - Data sheets.

*Paul Finn*

Kidde-Fenwal, Inc. Ashland, MA USA  
 Place of Issue:

01 Oct 2018  
 Date of Issue

Paul Finn, Certification Engineer  
 Name