

Qty. Description

1 **UPS 40-160 F**



Note! Product picture may differ from actual product

Product No.: [96402782](#)

The pump is of the canned rotor type, i.e. pump and motor form an integral unit without shaft seal and with only two gaskets for sealing. The bearings are lubricated by the pumped liquid.

In order to avoid problems in connection with disposal, great importance has been attached to using as few different materials as possible.

The pump is characterized by:

- * 3 speed motor.
- * Ceramic radial bearings.
- * Carbon axial bearing.
- * Stainless steel rotor can, bearing plate and rotor cladding.
- * Aluminium alloy stator housing.
- * Cast iron pump housing.
- * Stator with built-in thermal switch.

The motor is a 1-phase motor.

The pump is supplied with a standard module in the terminal box.

The standard module is to be connected to the mains supply via external contactor.

Controls:

Relay: with relay

Terminal box position: 1.30H

Liquid:

Pumped liquid: Water

Liquid temperature range: 14 .. 248 °F

Selected liquid temperature: 140 °F

Density: 61.35 lb/ft³

Technical:

Approvals: CCSAUS

Materials:

Pump housing: Cast iron



Company name:

Created by:

Phone:

Date:

12/11/2025

Qty.	Description
1	<p>EN 1561 EN-GJL-250 ASTM 35B-40B</p> <p>Impeller: Stainless steel EN 1.4301 AISI 304</p> <p>Installation: Range of ambient temperature: 32 .. 104 °F Maximum operating pressure: 145.04 psi Pipe connection standard: USA Oval Type of connection: DIN Pipe connection: GF 40/43 Pressure rating for connection: PN 10 Port-to-port length: 11 1/2 in</p> <p>Electrical data: Power input in speed 1: 0.9253 HP Power input in speed 2: 760 W Max. power input: 890 W Mains frequency: 60 Hz Rated voltage: 1 x 115 V Current in speed 1: 6.95 A Current in speed 2: 7.45 A Current in speed 3: 8.4 A Cos phi in speed 1: 0.86 Cos phi in speed 2: 0.89 Cos phi: 0.92 Capacitor size - run: 80 µF/250 V Enclosure class (IEC 34-5): X4D Insulation class (IEC 85): H Ex-protection standard: CONTACT</p> <p>Others: Terminal box position: 1.30H Net weight: 45.2 lb Gross weight: 58.7 lb Shipping volume: 3.46 ft³ Country of origin: RS Custom tariff no.: 8413.70.00.21</p>



Company name:

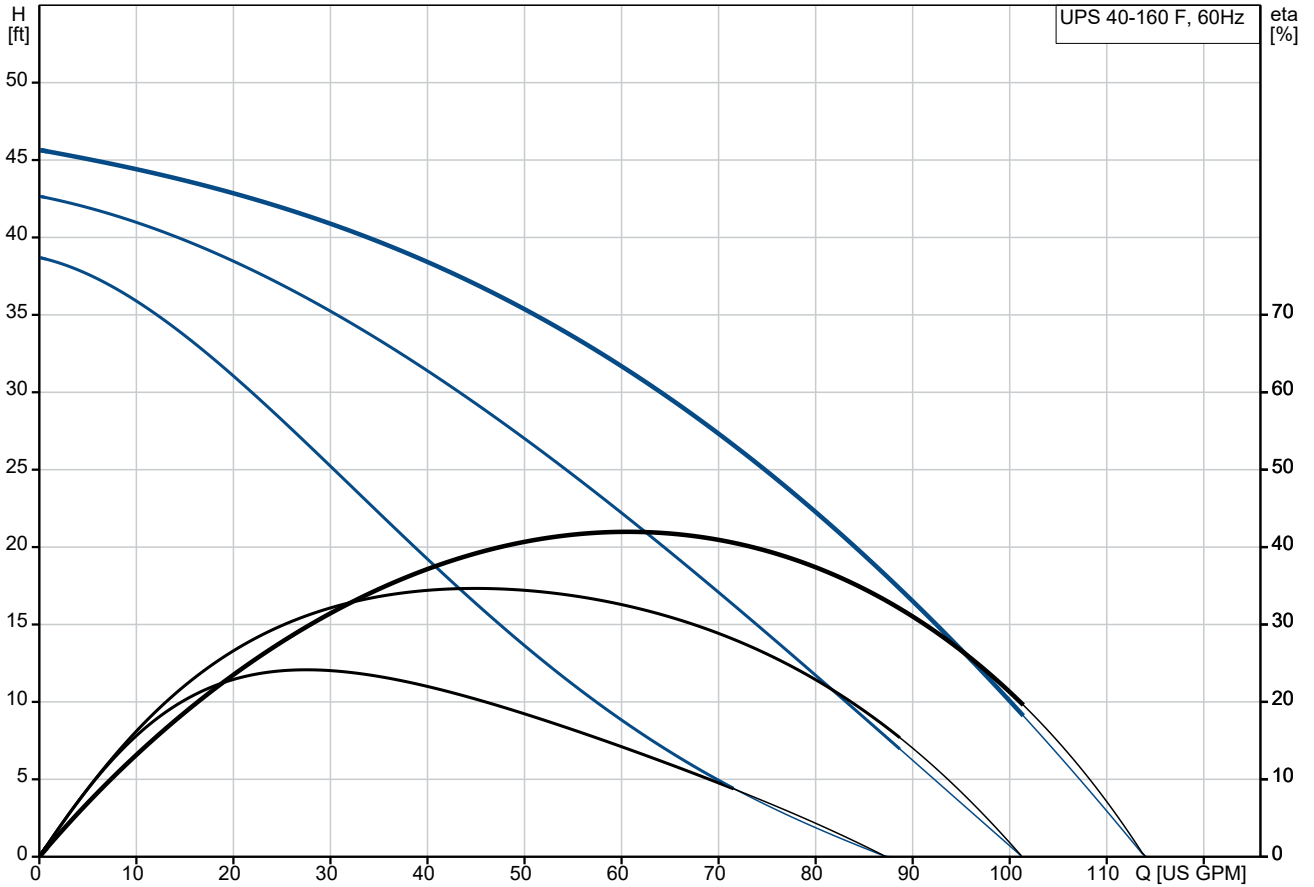
Created by:

Phone:

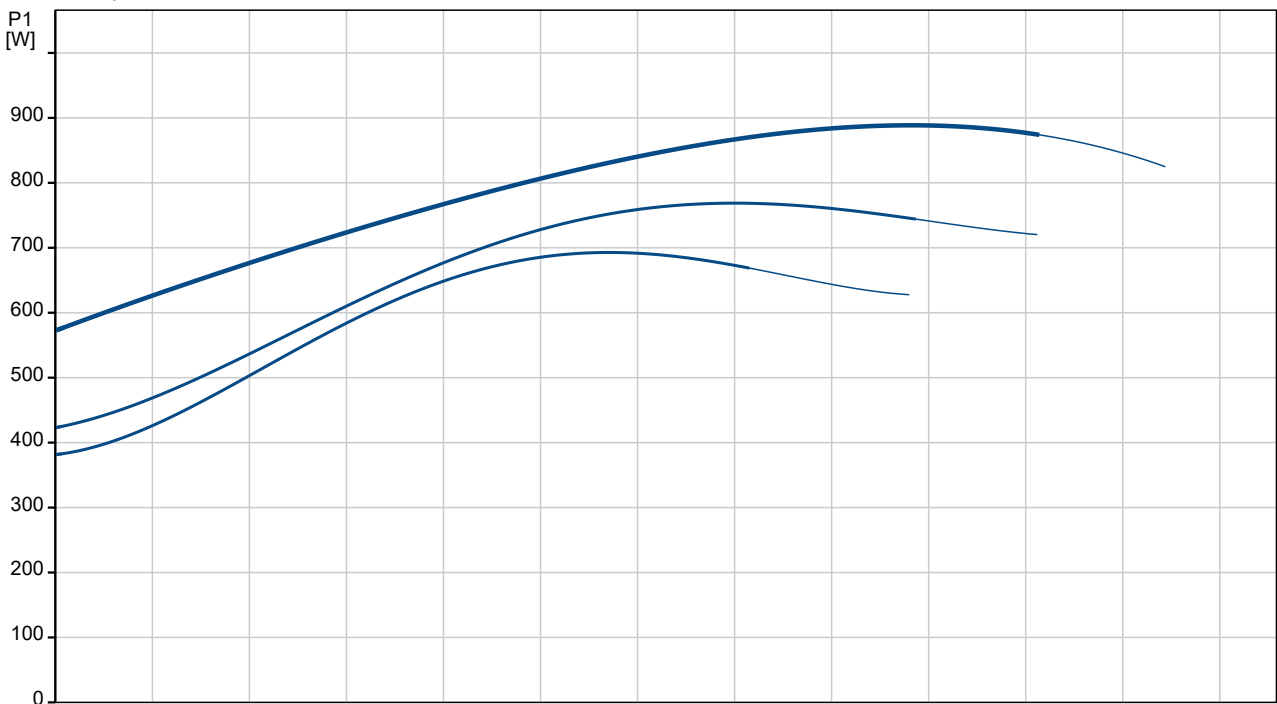
Date:

12/11/2025

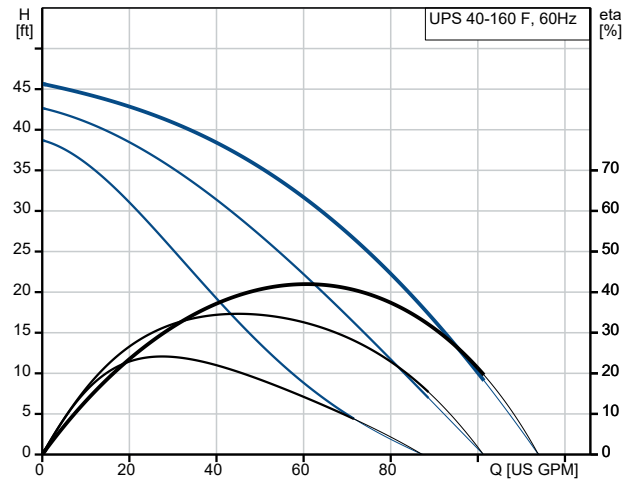
96402782 UPS 40-160 F 60 Hz



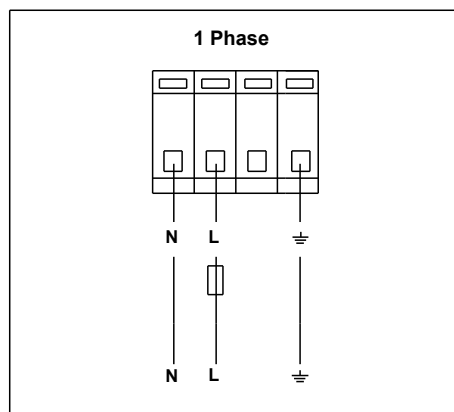
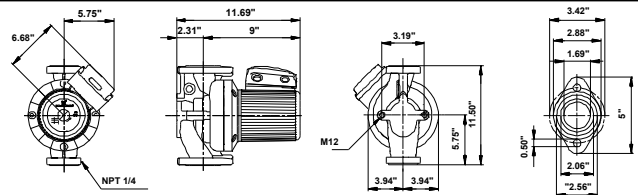
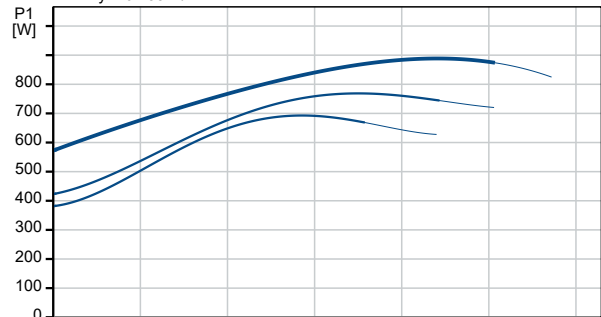
Pumped liquid = Water
Liquid temperature during operation = 140 °F
Density = 61.35 lb/ft³



Description	Value
General information:	
Product name:	UPS 40-160 F
Product No:	96402782
EAN number:	5700390681210
Price:	
Technical:	
Speed no:	3
Maximum head:	52.5 ft
Approvals:	CCSAUS
Model:	C
Materials:	
Pump housing:	Cast iron EN 1561 EN-GJL-250 ASTM 35B-40B
Impeller:	Stainless steel EN 1.4301 AISI 304
Installation:	
Range of ambient temperature:	32 .. 104 °F
Maximum operating pressure:	145.04 psi
Pipe connection standard:	USA Oval
Type of connection:	DIN
Pipe connection:	GF 40/43
Pressure rating for connection:	PN 10
Port-to-port length:	11 1/2 in
Connect code:	F
Liquid:	
Pumped liquid:	Water
Liquid temperature range:	14 .. 248 °F
Selected liquid temperature:	140 °F
Density:	61.35 lb/ft ³
Electrical data:	
Power input in speed 1:	0.9253 HP
Power input in speed 2:	760 W
Max. power input:	890 W
Mains frequency:	60 Hz
Rated voltage:	1 x 115 V
Current in speed 1:	6.95 A
Current in speed 2:	7.45 A
Current in speed 3:	8.4 A
Cos phi in speed 1:	0.86
Cos phi in speed 2:	0.89
Cos phi:	0.92
Capacitor size - run:	80 µF/250 V
Enclosure class (IEC 34-5):	X4D
Insulation class (IEC 85):	H
Ex-protection standard:	CONTACT
Thermal protec:	internal
R a:	2.85 - 3.75 Ohm
R s1:	1.1 - 1.44 Ohm
R s2:	1.94 - 2.55 Ohm
Controls:	
Relay:	with relay
Terminal box position:	1.30H
Others:	
Terminal box position:	1.30H
Net weight:	45.2 lb



Pumped liquid = Water
Liquid temperature during operation = 140 °F
Density = 61.35 lb/ft³





Company name:

Created by:

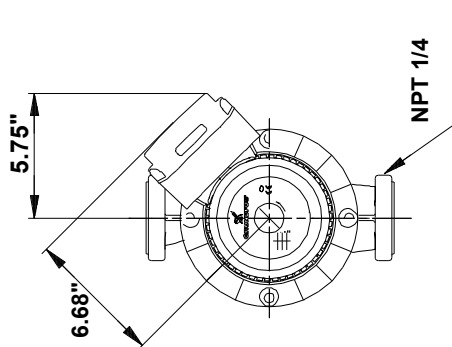
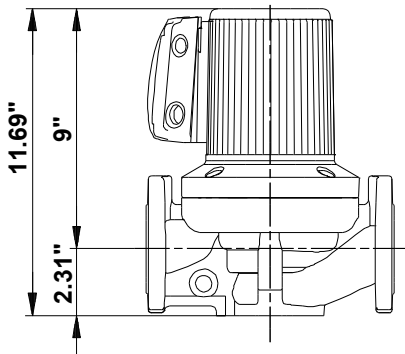
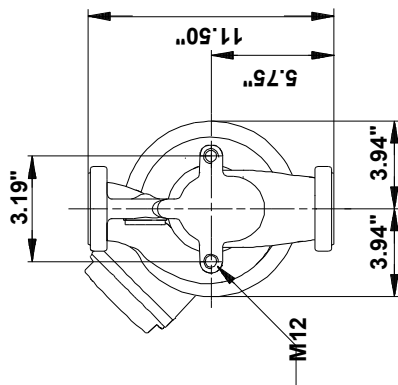
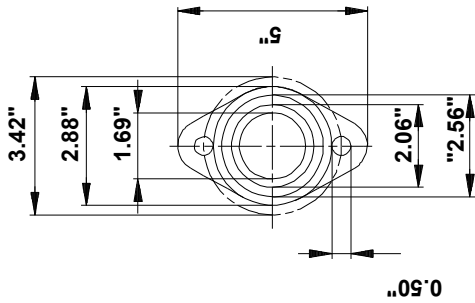
Phone:

Date:

12/11/2025

Description	Value
Gross weight:	58.7 lb
Shipping volume:	3.46 ft ³
Country of origin:	RS
Custom tariff no.:	8413.70.00.21

96402782 UPS 40-160 F 60 Hz



Note! All units are in [in] unless others are stated.
Disclaimer: This simplified dimensional drawing does not show all details.