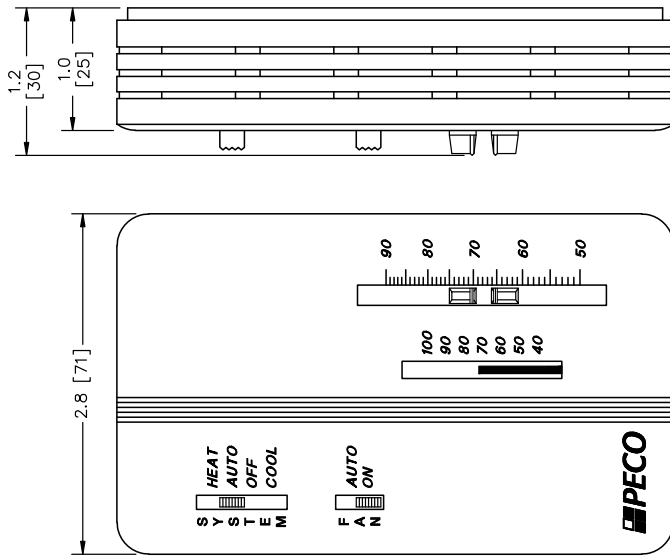
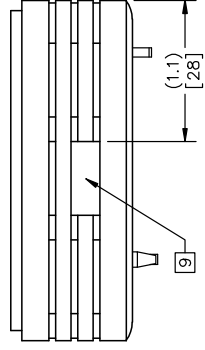


DATE	REV	DESCRIPTION	DR.	CK.
5/8/08	0	ECN 7984 RELEASE	SEM	SR
7/22/08	1	ECN 8008 NOTE 7: 10 UNITS/CASE, 4 CASES/MASTER CARTON	SEM	SR



OPENING FOR WIRING

2X MOUNTING SLOTS  
0.16 X 0.38 [4.1 X 9.7]

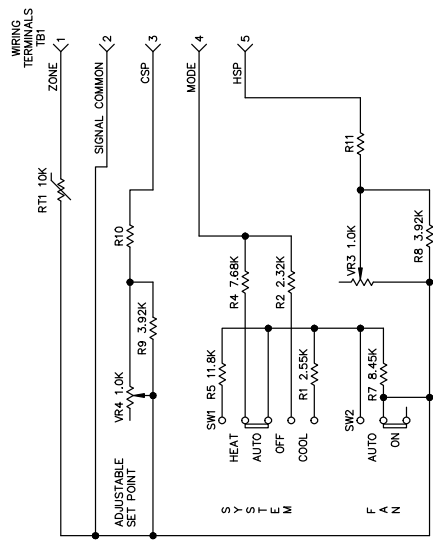


NOTES:

- CONFIGURATION: SENSOR WITH EXTERNALLY ADJUSTABLE °F HEATING AND COOLING SET POINTS, 4 POSITION SYSTEM SWITCH, 2 POSITION FAN SWITCH, THERMOMETER. REMOVE RT1 FOR USE WITH REMOTE SENSOR.
- SET POINT CONTROL:
  - COOLING SET POINT CALIBRATED SUCH THAT 500 OHMS IS OBTAINED BETWEEN TERMINALS 2 AND 3 WHEN SET AT 70 F (21.1 °C)
  - HEATING SET POINT CALIBRATED SUCH THAT 539 OHMS IS OBTAINED BETWEEN TERMINALS 2 AND 5 WHEN SET AT 68 F (20.0 °C)
- THERMISTOR:
  - THERMISTOR RESISTANCE: 10,000 OHMS AT 25 °C ±1.0 °C
  - THE BOTTOM SURFACE OF THE THERMISTOR BODY TO BE SPACED 0.175" ±0.015 -0.00 ABOVE THE TOP SURFACE OF THE PCB.
- MATERIAL COLOR AND MARKINGS:
  - COVER, BASE AND SLIDE SWITCH HANDLES: PANTONE COOL GREY 2-C
  - COVER, THERMOMETER AND FAN SWITCH HANDLES: PANTONE MEDIUM BLUE
  - COVER TYPE FONT: UNIVERS MEDIUM OR UNIVERS MEDIUM ITALICS
  - COOLING SET POINT KNOB: BLUE PER TI-485
  - HEATING SET POINT KNOB: RED PER TI-484
- ELECTRICAL CONNECTIONS: TERMINAL BLOCK: PRESSURE CONNECTIONS.
- IDENTIFICATION: ASSEMBLIES TO BE PERMANENTLY MARKED ON BACK OF ENCLOSURE. INFORMATION TO INCLUDE:
  - DATE OF MANUFACTURE (YEAR, WEEK - FOR EXAMPLE: 0821).
- PACKAGING:
  - INDIVIDUAL AND MASTER CARTON LABELS TO INCLUDE: PECO, INC SP155-011
- DATE OF MANUFACTURE (YEAR, WEEK - FOR EXAMPLE: 0821).
- EACH CARTON TO INCLUDE MOUNTING HARDWARE AND INSTRUCTION SHEET. 10 UNITS PER CASE CARTON, 4 CASES PER MASTER CARTON.
- SWITCH RESISTANCE: READINGS BETWEEN TERMINALS 2 AND 4 ARE WITHIN THE TOLERANCES LISTED BELOW:

SWITCH POSITIONS	NOMINAL	HIGH	LOW
OFF/AUTO	2320	2343	2297
COOL/AUTO	4870	4919	4821
AUTO/AUTO	7680	7757	7603
OFF/ON	10770	10878	10662
COOL/ON	13320	13453	13187
AUTO/ON	16130	16291	15969
HEAT/AUTO	19480	19675	19285
HEAT/ON	27930	28209	27651

9 0.59" X 0.23" VENTILATION SLOT.



		<b>PECO, INC.</b> PORTLAND, OR, USA	
TOLERANCES EXCEPT AS NOTED	PART NUMBER	SCALE	TITLE
.X= .XX= .XXX=	69307	FULL	SENSOR ASSY, SP155-011
ANGULAR ±			
DO NOT SCALE DRAWING: DIMENSIONS ARE CONTROLLING		SIZE	DRAWING NUMBER
		B	SP155-011