



FIREYE® 25SU3-2100 RACK-MOUNTED FLAME-SAFEGUARD AMPLIFIER



DESCRIPTION

The **25SU3-2100** is a Flame Safeguard Amplifier used to detect the presence or absence of a flame in a single or multi-burner environment. The 25SU3-2100 also maximizes burner discrimination with its ability to accurately differentiate the pulse rates produced by the scanners.

The 25SU3-2100 has the capacity to receive pulse inputs from two flame scanners, “A” and “B,” either separately or in combination. In addition, the 25SU3-2100 has two logic programs available, called “Scanner Option 1” and “Scanner Option 2.” Within these two scanner options, the user may select different operating parameters, and select the scanner or scanners that will provide the pulse input for that option. Switching between “Scanner Option 1” and “Scanner Option 2” is accomplished by an external dry contact input to the amplifier. The dynamic range for the 25SU3-2100 amplifier is 1900 pulses per second, which is consistent with the output range provided by Fireeye scanners. The pulse rate output of each scanner can be checked by the user, thus facilitating the maintenance of each scanner.

The design platform of the 25SU3-2100 is based on the global 19 inch format with the unit operating on either 24 VAC or 24 VDC. Fireeye offers a full rack (60-2471-3), half-rack (60-2471-1) or surface mount rack (60-2530), and filler plates for mounting the 25SU3-2100 amplifiers, as well as several different power supplies for various scanner/amplifier combinations. See Ordering Information.

The 25SU3-2100 amplifier provides remote communications capability to a PLC using either Allen-Bradley DF1 or MODBUS communication protocol. Consult factory for details.

FEATURES

- Keypad Entry system
- Password protection to avoid unauthorized alteration of the user-set (programmed) parameters.
- Eight character alpha-numeric display.
- Front panel LED Status Indicator.
- Adjustable Independent Flame Relay Pull-In and Drop-Out Thresholds.
- Adjustable Flame Failure Response Time (FFRT) (1 to 6 secs.).
- Adjustable Independent Flame Relay Delay On Time (0 to 10 secs.).
- Capable of analyzing signals from two scanners.
- One Form C SPDT Marginal Alarm relay.
- One fused DPDT Form C Flame relay.
- One 4 - 20mA analog output (used to measure flame signal—scalable).
- Remote communications capability to a PLC. Consult factory for details.



COMPATIBLE FIREYE FLAME SCANNERS

TYPE/MODEL	FREQ. Hz	WAVE- LENGTH (nanometers)	MOUNT THREADS	AMBIENT TEMP. MAX., MIN.	SAFETY APPROVALS	BULLETIN	NOTES
45UV5-1000	60	180 - 250	1" NPT	200°F (93°C) - 40°F (-40°C)	FM, CSA	CU-22	See Note 1
45UV5-1010	60	180 - 250	1" BSP	200°F (93°C) - 40°F (-40°C)	FM	CU-22	See Note 1
45UV5-1101	50	180 - 250	1" BSP	200°F (93°C) - 40°F (-40°C)	APAVE, DIN, FM	CU-22	See Note 1
45RM1-1001	50/60	450 - 1,000	1" NPT	150°F (65°C) - 40°F (-40°C)	FM, CSA	CU-26	See Note 1
45RM1-1003	50/60	450 - 1,000	1" BSP	150°F (65°C) - 40°F (-40°C)	FM, APAVE, DIN	CU-26	See Note 1
45RM2-1000	50/60	700-2,500	1" NPT	150°F (65°C) - 40°F (-40°C)	FM, CSA	CU-26	See Note 1
45RM2-1001	50/60	700 - 2,500	1" BSP	150°F (65°C) - 40°F (-40°C)	FM, APAVE, DIN	CU-26	See Note 1
45RM4-1000	24VDC	700 - 2,500	1" NPT	150°F (65°C) - 40°F (-40°C)	FM, CSA	CU-31	—
45RM4-1001	24VDC	700-2,500	1" BSP	150°F (65°C) - 40°F (-40°C)	FM, APAVE, DIN, CSA	CU-31	—
45FS1-1000	24VDC	700 - 2,500	1" NPT	150°F (65°C) - 4°F (-20°C)	FM	CU-32, CU-33	—
45FS1-1001	24VDC	700 - 2,500	1" BSP	150°F (65°C) -4°F (-20°C)	FM	CU-32, CU-33	—
45UVFS1-1000	24VDC	290-390	1" NPT	131°F (55°C) - 4°F (-20°C)	FM	CU-32, CU-33	—
45UVFS1-1001	24VDC	290-390	1" BSP	131°F (55°C) - 4°F (-20°C)	FM	CU-32, CU-33	—
C9701A 1012 C9701A 1023	28VDC	185-265	1" NPT	160°F (71°C) - 4°F (-20°C)	FM, CSA	65-8046	See Note 2
C9707A 1012 C9707A 1012	28VDC	185-1000	1" NPT	160°F (71°C) - 4°F (-20°C)	FM, CSA	65-8046	See Note 2

Note 1: Requires 19UVPS-2120 or -2220 power supply or 19MPS-2000 power supply.
 Note 2: Jumper JP2 or JP3 on 25SU3-2100 must be removed for these scanners to operate with the amplifier.
 See "Operation with C9701 or C9707 Flame Scanners - Jumpers JP2 and JP3" later in this document.

The 25SU3-2100 is also compatible with scanners in explosion-proof housings and fiber optic versions.



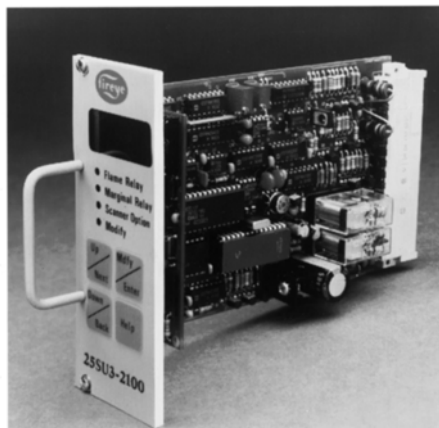
ORDERING INFORMATION

Part Number	Description
25SU3-2100	Rack mount flame amplifier
Mounting Racks	
60-2471-1	Half mounting rack. Includes one (1) 60-2478 connector.
60-2471-3	Full mounting rack. Includes one (1) 60-2478 connector.
60-2530-1	Surface mount rack. Refer to Bulletin CU-44.
60-2530-2	Surface mount rack with clear hinged cover. Refer to Bulletin CU-44.
Mounting Adaptors	
192SU3-2120	Adaptor (120 VAC) to retrofit 25SU3-2100 to 60-1706 or 60-1499 wiring rack.
192SU3-2220	Adaptor (220 VAC) to retrofit 25SU3-2100 to 60-1706 or 60-1499 wiring rack.
Filler Plates	
60-2490-2	Front filler plate for mounting racks. Approx .4" (2 HP)
60-2490-4	Front filler plate for mounting racks. Approx .8" (4 HP)
60-2490-6	Front filler plate for mounting racks. Approx 1.2" (6 HP)
60-2490-8	Front filler plate for mounting racks. Approx 1.6" (8 HP)
60-2490-10	Front filler plate for mounting racks. Approx 2.0" (10 HP)
Power Supplies	
60-2470-1	Power supply. 110 VAC Input/24 VDC, 2.5 Amps Output for up to seven (7) 25SU3-2100 amplifiers and fourteen (14) low voltage scanners. Includes 60-2482 connector.
60-2470-2	Power supply. 220-240 VAC Input/24 VDC, 2.5 Amps Output for up to seven (7) 25SU3-2100 amplifiers and fourteen (14) low voltage scanners. Includes 60-2482 connector.
19UVPS-2120	Power supply. 110 VAC Input for up to six (6) line voltage scanners only. Refer to Bulletin CU-38.
19UVPS-2220	Power supply. 220 VAC Input for up to six (6) line voltage scanners only. Refer to Bulletin CU-38.
19MPS-2000	Multi-purpose power supply for two (2) 25SU3-2100 amplifiers and up to four (4) low voltage or line voltage flame scanners. Refer to Bulletin CU-45.
Connectors	
60-2478	Screw terminal straight style (12 AWG) connector for 25SU3-2100 amplifier and 19UVPS power supply.
60-2480	Screw terminal Y style (12 AWG) connector for 25SU3-2100 amplifier and 19UVPS power supply.
60-2481 ^a	Screw terminal connector (12 AWG) for 60-2470 and 19MPS-2000 power supplies.
60-2482	Spade terminal connector for 60-2470 and 19MPS-2000 power supplies.
Replacement Fuses	
23-93	Replacement power fuse for 25SU3-2100 (3.0 Amp. fast-acting type) used in amplifiers prior to date code 9706.
23-182	Replacement fuse for RF1 flame relay contacts for 25SU3-2100 (1.5 Amp. fast-acting type). Replacement power fuse for 25SU3-2100 (1.5 Amp. fast-acting type), used in amplifiers date code 9706 and later.

a. Screw terminal connector (P/N 60-2481) requires 2" of side clearance for wiring. Installing the power supplies in either end position of the full or half rack will not provide adequate clearance to wire connector.

HARDWARE COMPONENTS

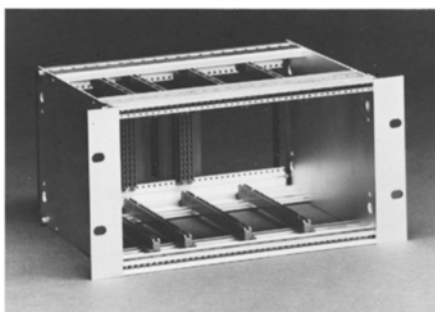
The following figures show the components making up the 19 inch amplifier/rack system.



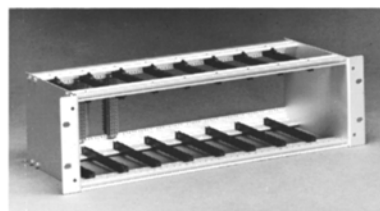
AMPLIFIER WITH KEYPAD/DISPLAY
PART NUMBER 25SU3-2100



POWER SUPPLY
PART NUMBER 60-2470-1 (110 VAC)
60-2470-2 (220 VAC)



HALF RACK PART NUMBER 60-2471-1



FULL RACK PART NUMBER 60-2471-3

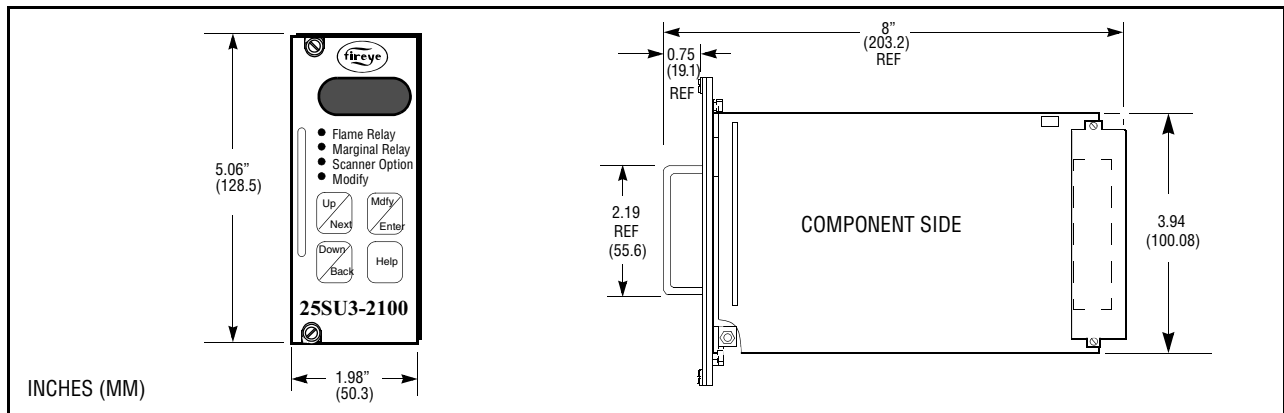
SPECIFICATIONS 25SU3-2100 Amplifier

DIMENSIONS (Figure 1)

Height:	5.06 inches (128.5 mm)
Depth:	7.0 inches (203.2 mm)
Width (Front Panel):	1.98 inches (50.3 mm) 10HP
Thickness (Front Panel):	0.0625 inches (1.588 mm)

Shutter Check Timings:	Open: 3.5 sec.
	Closed: 0.5 sec.

FIGURE 1. 25SU3-2100 DIMENSIONS



A standard full 19" rack has a usable inside width of 16.8" (426.80mm). This allows for up to 8 amplifiers per rack.

SIGNAL INPUTS — Two flame scanner inputs.

ANALOG OUTPUT — 4-20mA output, current sourcing. Max. connected load = 1000 ohms.

OUTPUTS —

Contacts available: Flame Relay, DPDT, (one pole fuse protected, RF1@1.5A)
Marginal Relay, SPDT

Contact Ratings: Flame Relay and Marginal Relay
Minimum: 40mA resistive @ 24 VDC
40mA resistive @ 250 VAC
Maximum: 3A resistive at 24 VDC
4A resistive at 250 VAC

Contact Material: Silver cadmium oxide.

INPUT VOLTAGES — 24VAC (+10%, -15%) 50/60 Hz or
24 VDC (+/-10%)

POWER CONSUMPTION — Control with One Scanner: 5 VA
Control with Two Scanners: 7.5 VA

TEMPERATURE RANGE — Operating: - 4°F to +140° F
(- 20° C to +60° C)
Storage: - 4° F to +176° F
(- 20° C to +80° C)

HUMIDITY — 0% TO 85% R.H. non-condensing.

FLAME FAILURE RESPONSE TIME—1 to 6 secs (user-selectable).

SHIPPING WEIGHT — 1.2 lbs. (0.5 Kg)

MOUNTING — Rack Mount

KEYPAD/DISPLAY— Four (4) positive action membrane keys with embossed tactile feedback.
Eight (8) Character Alpha-Numeric LED Display.



FRONT PANEL STATUS LEDs

Four status LEDs

1. **Flame Relay** - Indicates (ON/OFF) Status of Flame Relay
2. **Marginal Alarm Relay** - Indicates (ON/OFF) Status of Marginal Alarm Relay, pulses for diagnostics (see page 12).
3. **Scanner Option** - Allows user to combine the signals from the connected scanner or scanners in a variety of logical configurations.
Steady State — Scanner Option 1 (SCN OPT1).
Blinking State — Scanner Option 2 (SCN OPT2).
4. **Modify** — Indicates that the Modify Mode is invoked and the user can make changes to parameters in the Setpoint group.

ELECTRONICS

The control is a microprocessor based system. The integrity of the micro-controller is checked by a “watchdog relay.” This relay state is periodically updated by the micro-controller and is dependent on the proper execution of the code programmed within the operating software. The scanners operate in the system in a self-checking mode.

Periodically, a self-check pulse is sent to each scanner to determine if the scanner is “false firing.”

Connector

The Full Rack (P/N 60-2471-3) and the Half Rack (P/N 60-2471-1) offered by Fireeye each come with one screw terminal straight connector (P/N 60-2478). The connector is a Euro standard DIN 41612 Type F connector consisting of 32 total pins with 16 pins on each side. Additional connectors can be ordered through Fireeye:

Screw Terminal Straight Style (12 AWG) (P/N 60-2478).

The Surface Mount Racks, P/N 60-2530-1, -2 are supplied complete with connectors.

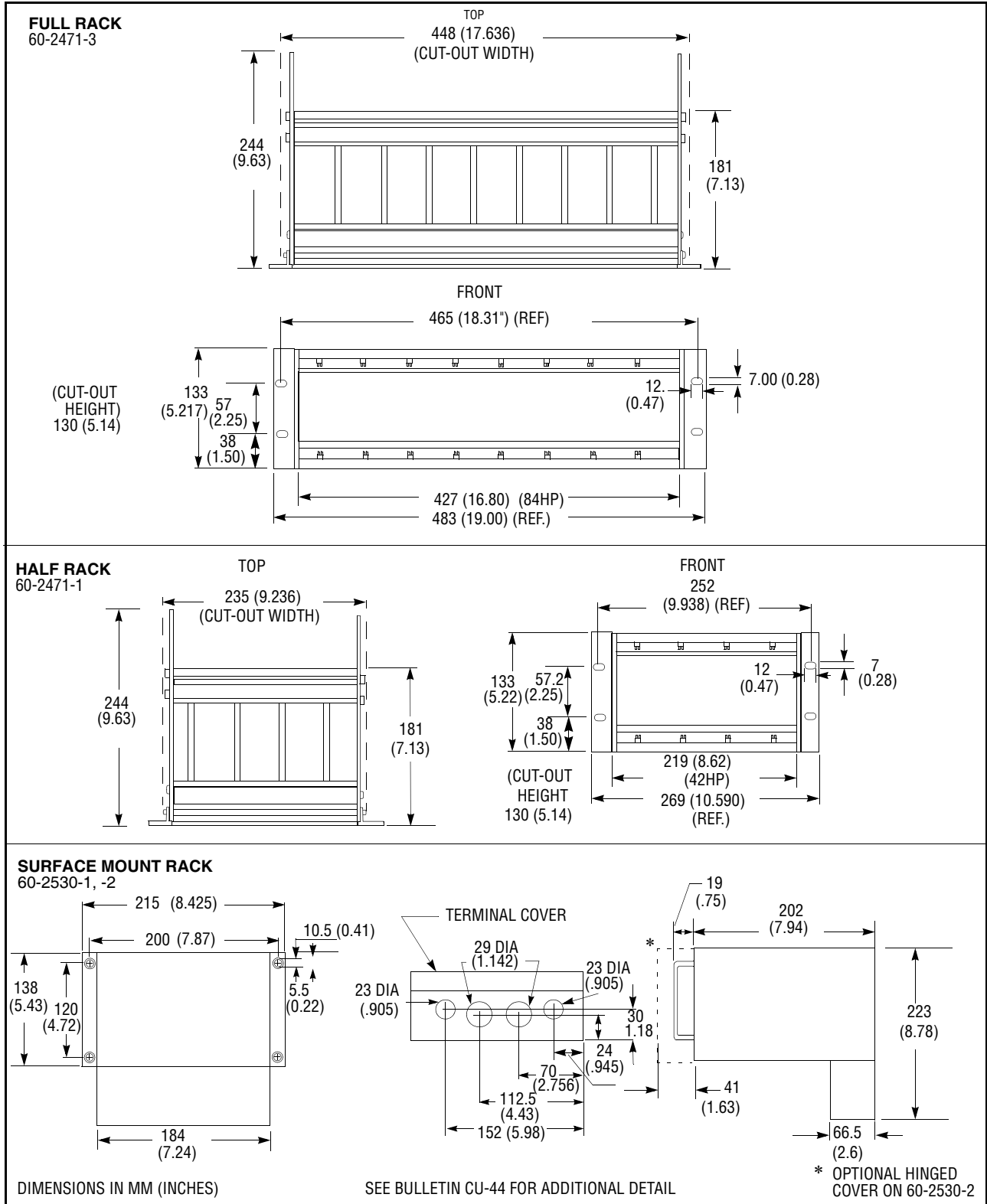
Replaceable Fuses

The 25SU3-2100 is designed with replaceable fast-acting fuses for the amplifier power and the flame relay contacts. The fuses are located on the lower right hand corner of the printed circuit board near the connector. The fuse for the flame relay is located closest to the connector and is marked F2 and RF1. The fuse for the 25SU3-2100 amplifier power is mounted directly beside the flame relay fuse and is marked F1 and PWR. See Figure 4 for fuse location, and page 3 for specification.

SPECIFICATIONS OF MOUNTING RACKS

There are several mounting racks for the installation of the 25SU3-2100 amplifiers and power supplies: full rack (60-2471-3), half rack (60-2471-1) or surface mount rack (60-2530).

FIGURE 2. DIMENSIONS — SHOWN IN MM (INCHES)



Full Rack (60-2471-3)

The full rack has an aperture opening of 84 HP (Horizontal Pitch) or 16.8 inches (426.72 mm). 1 HP is approximately .2 inch. The 25SU3-2100 amplifier and 19MPS-2000 power supply each have a width of 10 HP (approx. 2"). The 60-2470 and 19UVPS power supplies have a width of 8 HP (approx. 1.6"). A full rack can accommodate up to 8 amplifiers or 7 amplifiers and 1 power supply.

Half Rack (60-2471-1)

The half rack has an aperture opening of 42 HP (Horizontal Pitch) or 8.4 inches (213.36 mm). 1 HP is approximately .2 inch. The 25SU3-2100 amplifier and 19MPS-2000 power supply each have a width of 10 HP (approx. 2"). The 60-2470 and 19UVPS power supplies have a width of 8 HP (approx. 1.6"). A half rack can accommodate up to 4 amplifiers or 3 amplifiers and 1 power supply.

Surface Mount Rack (60-2530)

The surface mount rack has an aperture opening of 30 HP. It is designed to accept up to 2 amplifiers and 1 19MPS-2000 multi-purpose power supply. See bulletin CU-44 for details.

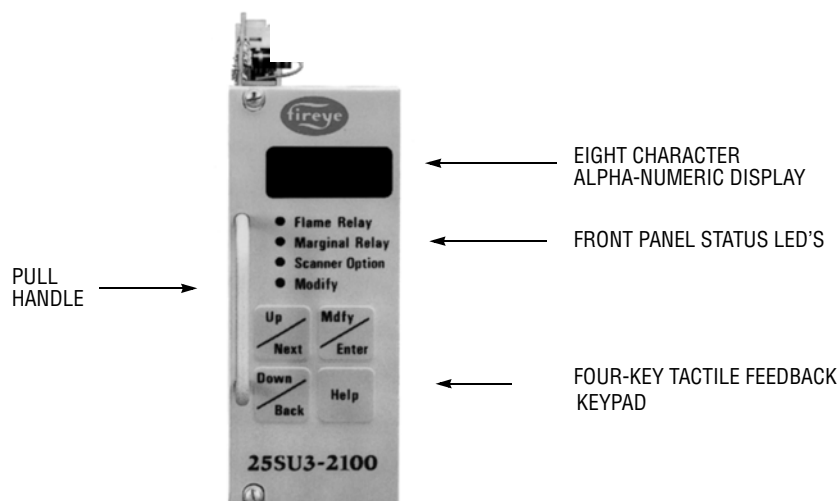
FILLER PLATES

Filler plates are provided to cover any openings in the racks after the installation of the amplifiers and power supplies. Filler plates are offered in 2, 4, 6, 8, and 10 HP widths. 1 HP is approximately .2 inch. To determine the number and types of filler plates required, subtract the HP widths of each installed amplifier and power supply from the aperture opening of the mounting rack.

Mounting Racks		Amplifier and Power Supplies		Filler Plates	
Part #	Width	Part #	Width	Part #	Width
60-2471-3	84 HP	25SU3-2100	10 HP	60-2490-2	2 HP
60-2471-1	42 HP	19MPS-2000	10 HP	60-2490-4	4 HP
60-2530	30 HP	60-2470	8 HP	60-2490-6	6 HP
		19UVPS	8 HP	60-2490-8	8 HP
				60-2490-10	10 HP

FRONT PANEL OF 25SU3-2100

FIGURE 3. 25SU3-2100 FRONT PANEL





EIGHT CHARACTER ALPHA-NUMERIC DISPLAY

Information on the set-up and operation of the 25SU3-2100 is displayed on a high intensity eight character alpha-numeric display. The operating parameters and system setpoints are displayed using a mnemonic code, up to eight characters in length, which serve as an abbreviated descriptor for that value. A full length descriptor providing a detailed description of each value is also available via the “Help” key. When powered up, the display will show the flame signal for scanner A.

STATUS LED's: Four (4) status LED's are located on the front panel to provide the following information:

Flame Relay LED: This LED is lit when the flame relay is energized.

Marginal Relay LED: This LED indicates the status of the marginal alarm relay or announces a Shutter Check Failure. Refer to Shutter Check Fail option, and Marginal Alarm sections under Setpoints Menu for details.

Scanner Option LED

This LED indicates which Scanner Logic Option is selected.

- **Steady State** —Scanner Logic Option 1 is selected. (Terminal Z16 to Z12 is open).
- **Pulsing** —Scanner Logic Option 2 is selected. (Terminal Z16 to Z12 is closed).

Modify LED: This LED is lit when the user is in the Setpoints menu and the “Modify/Enter” key has been pressed to change the value of a setpoint.

FOUR KEY KEYPAD

The 25SU3-2100 has four (4) positive action embossed, membrane keys with tactile feedback to review and modify the setpoints and operating parameters of the amplifier. The keys are multi-functional in that each key performs double duty, depending on when they are pressed.

Up/Next key

1. This key will display the next operating parameter or system setpoint and its associated value.
2. When the user is in the “Setpoints” menu and the Modify/Enter key is pressed, this key will increase the value associated with that setpoint.

Down/Back key

1. This key will display the previous operating parameter or system setpoint and its associated value.
2. When the user is in the “Setpoints” menu and the Modify/Enter key is pressed, this key will decrease the value associated with that setpoint.

Mdfy/Enter key

1. When the user is in the “Status” menu, this key will enter the “Setpoints” menu.
2. When the user is the “Setpoints” menu, this key will allow the user to modify the value of that setpoint. The “Modify” LED will light.

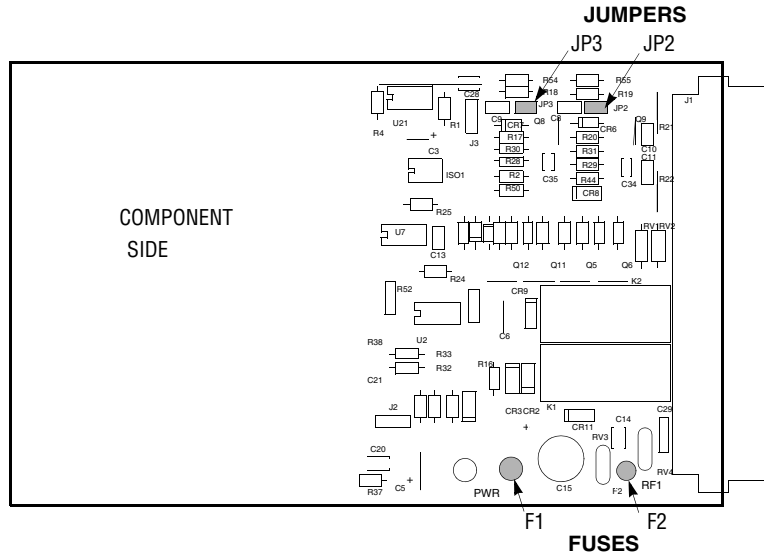
Help

1. This key will display the full length descriptor associated with the mnemonic code of each operating parameter and setpoint. After two minutes, the display will return to the mnemonic.
2. When the user is in the “Setpoints” menu, pressing this key **twice** will return to “Status” menu.

OPERATION WITH C9701 or C9707 FLAME SCANNERS— JUMPERS JP2 AND JP3

Two jumpers (JP2 and JP3) located on the upper right hand corner of the printed circuit board near the connector allow the C9701 and C9707 flame scanners to operate with the 25SU3-2100 amplifiers. When the C9701 or C9707 scanner is connected as Scanner A (terminals D2 through D8), remove jumper JP2. When the C9701 or C9707 scanner is connected as Scanner B (terminals Z2 through Z8), remove jumper JP3. Refer to Wiring Figures 13 and 14. **Jumpers JP2 and JP3 must be installed when using all models of Fireye flame scanners.**

FIGURE 4. LOCATION OF JUMPERS AND FUSES



OPERATION

The key feature of the 25SU3-2100 amplifier is its ability to properly detect and discriminate between flame and flame off conditions. A key feature of the 25SU3-2100 is its ability to differentiate and display the actual flame signal pulses received from the flame scanners, and program the pull in and drop out values for the flame relay based on the signals from one or more scanners (see Scanner Logic Option).

Flame Relay: If the flame relay is de-energized, the 25SU3-2100 will not energize the flame relay until the flame signal (based on the logic configuration selected via the Scanner Logic Option) is above the “Flame Relay On Threshold” setpoint (RF ON) for the programmed Flame Relay Delay On time (RF DLY). Once energized, the flame relay will not be de-energized until the average flame signal falls below the Flame Relay Off Threshold setpoint (RF OFF) for the length of the Flame Failure Response Time setpoint (FFRT).

Marginal Alarm Relay: The marginal alarm relay is energized if the flame signal (based on the logic configuration selected via the Scanner Logic Option) is below the Marginal Alarm Threshold (MRG ALM) for at least ten (10) seconds and the flame relay is energized.

Shutter Check Failure: The 25SU3-2100 offers a selection on how the amplifier responds in the event of a shutter failure of the connected flame scanner(s). Refer to Shutter Check Fail Option (SHTR CHK) under Setpoints Menu for details.

STATUS AND SETPOINTS MENU

The 25SU3-2100 will display the operating parameters and system setpoints under the Status menu and Setpoints menu respectively. In addition, the user can modify the values of the system setpoints. For all operating parameters and system setpoints, the display will show the mnemonic code, followed by its associated value. If the **HELP** key is pressed, the full length descriptor associated with the operating parameter or setpoint will be displayed, followed by its associated values.

Example: In the Status menu, the display shows A=486. If the **HELP** key is pressed, the display will show SCANNER A PULSE RATE (full length descriptor) followed by 486 (value).

Press the **MDFY/ENTER** key to switch from the Status menu to the Setpoints Menu.

Press the **HELP** key twice to switch from the Setpoints menu to the Status menu.



STATUS MENU

The Status menu displays the current operating parameters of the 25SU3-2100.

Note: These operating parameters cannot be modified.

THE STATUS GROUP

Mnemonic	Full Length Descriptor	Value
A = XXX	SCANNER A PULSE RATE	Actual flame signal pulses from Scanner A. Range = 0-1900 pulses.
B = XXX	SCANNER B PULSE RATE	Actual flame signal pulses from Scanner B. Range = 0-1900 pulses.
RF RLY	FLAME RELAY STATUS	ON / OFF
MRG ALARM	MARGINAL ALARM RELAY STATUS	ON / OFF
4-20 OUT	ANALOG OUTPUT	4-20 Ma output proportional to the flame signal(s) based on the selected Scanner Logic Option. Value displayed in percent (%). Output scaled under "Setpoints" menu.
SCN A SHT*	SCANNER A SHUTTER CLOSE PULSES	Flame pulses from scanner A detected during shutter close period.
SCN B SHT*	SCANNER B SHUTTER CLOSE PULSES	Flame pulses from scanner B detected during shutter close period.

**Note: Normally, shutter close pulses = 0. If a value is displayed, it may be due to a defective shutter or UV tube, or electrical interference. With a 45RM4 scanner, a displayed value may be due to a low flicker-frequency switch position. With a 45FS1 or 45UVFS1 scanner (and FFRT=45FS1), it is normal for a value to be shown and the parameter may be ignored.*

SETPOINTS MENU

The Setpoints menu contains the various system setpoints that are configurable by the user. Following is a description of some of the system setpoints.

Scanner Logic Option (SCN OPT): This setpoint allows the user to combine the flame signal pulses from the connected scanners in a variety of Logical Configurations (see below) to control the flame relay. Each Scanner Logic Option has its own separate flame on (RF ON), flame off (RF OFF), marginal alarm (MRG ALM), flame failure response time (FFRT), and 4-20 mA scaling (4-20 RNG) setpoints.

It is not necessary to have two scanners connected to utilize the **Scanner Option 1 & 2 and the Logic Options** features. This example will clarify this. There is a need to discriminate between pilot and main flame with one scanner. Usually pilot flame provides considerably less signal than main flame and with conventional controls it would require connecting two scanners, each with different sensitivity settings. The burner management system would then switch out the pilot scanner during the main flame stabilization period, and it would then be up to the main flame scanner to detect the main flame. With the 25SU3-2100 and one scanner connected, Scanner Option 1 (**SCN OPT1**) would have Logic Option 1, "A ONLY" and the thresholds would be set to detect the pilot flame at one signal level. Scanner Option 2, "A ONLY," and its thresholds would be set to detect the main flame at a higher signal level. During the main flame stabilization period the burner management system would then switch from Scanner Option 1 to Scanner Option 2. If the main flame did not provide signal that was above Logic Option 2's flame off threshold the system would indicate a flame failure.

- A ONLY** - Pulses from Scanner A determine the Flame Relay status. Scanner B is ignored.
- B ONLY** - Pulses from Scanner B determine the Flame Relay status. Scanner A is ignored.
- A AND B** - Pulses from both scanners must be above the pull-in threshold to energize the Flame Relay. Pulses from either scanner below the drop-out threshold will drop the flame relay out.
- A OR B** - Pulses from either scanner must be above the Flame Relay pull-in threshold to energize the Flame Relay and pulses from both must be below the drop-out threshold to de-energize the Flame Relay.
- A XOR B** - Pulses from both scanners must be above the Flame Relay threshold to energize the Flame Relay. Pulses from both scanners must be below the drop-out threshold to de-energize the Flame Relay.
- A PLUS B** - Pulses from Scanners A and B are added together. The resulting sum determines the Flame Relay status.

SCANNER USEAGE OPTIONS						
	A ONLY	B ONLY	A AND B	A OR B	A XOR B	A PLUS B
Flame Relay Energized	A > Pull In	B > Pull In	A > Pull In AND B > Pull In	A > Pull In OR B > Pull In	A > Pull In AND B > Pull In	The SUM of A plus B > Pull In
Flame Relay De-energized	A < Drop Out	B < Drop Out	A < Drop Out OR B < Drop Out	A < Drop Out AND B < Drop Out	A < Drop Out AND B < Drop Out	The SUM of A plus B < Drop Out
4-20 mA Output Follows:	A Pulses	B Pulses	The LOWER of A or B Pulses	The HIGHER of A or B Pulses	The LOWER of A or B Pulses	The SUM of A plus B Pulses
MARGINAL ALARM RELAY ENERGIZED WHEN						
MARG OPT = EITHER	A < Threshold	B < Threshold	A or B < Threshold	A or B < Threshold	A or B < Threshold	A or B < Threshold
MARG OPT = BOTH	A < Threshold	B < Threshold	A and B < Threshold	A and B < Threshold	A and B < Threshold	A and B < Threshold

	Marginal Alarm RELAY Action	Marginal Alarm LED Action
Shutter Fault Scanner A	On/Off 4 sec.	On/Off 4 sec.
Shutter Fault Scanner B	On/Off 2 sec.	On/Off 2 sec.
Marginal Alarm Scanner A	On Steady (See Note 1)	On/Off 3 sec. (see Notes 1, 2)
Marginal Alarm Scanner B	On Steady (See Note 1)	On/Off 1 sec. (see Notes 1, 2)
NOTE 1: The Shutter Fault Annunciation takes priority over a Marginal Alarm Annunciation. NOTE 2: If logic options "A ONLY" or "B ONLY" are selected, the LED will not flash.		

To "Pull-In" the Flame Relay, the scanner signal received must be above the flame relay pull-in threshold for the required amount of user selected delay on time.

To "Drop-Out" the Flame Relay, the scanner signal received must be below the flame relay drop-out threshold for the required "flame failure response time."

Flame Relay On Threshold (RF ON): The flame relay is energized when the flame signal (based on the logic configuration selected via the Scanner Logic Option) is above this setpoint.

Flame Relay Off Threshold (RF OFF): The flame relay is de-energized when the flame signal (based on the logic configuration selected via the Scanner Logic Option) is below this setpoint.

The above setpoints (RF ON and RF OFF) select the pull-in and drop-out values of the flame relay, allowing the amplifier to accurately discriminate between flame on/flame off conditions regardless of the flame on to flame off ratio. An attempt should be made to maintain a pull-in/drop-out ratio of no less than 2 to 1 in order to achieve satisfactory performance.



WARNING: When installing self-checking ultra-violet flame scanners (e.g. 45UV5-1000), the sensitivity of the UV tube may drop within 24-48 hours after initial installation or after returning the scanner to service after extended periods of non-use. This phenomenon is due to "burn-in" of the UV tube. This loss of sensitivity would result in a drop in flame signal from the UV scanner which could effect the pull- in or drop-out of the flame relay. The user should check on the flame signal strength of the UV scanner 1-2 days after initial installation (or a return to service) to ensure an adequate flame signal.

Flame Failure Response Time (FFRT): The flame relay is de-energized when the flame relay drops below the Flame Relay Off Threshold setpoint (RF OFF) for the length of the FFRT time. Selections are from 1 to 6 seconds with a separate selection for the 45FS1/45UVFS1 scanner (45FS1). When the



45FS1/45UVFS1 scanners are used, the total FFRT is **additive** between the 25SU3-2100 amplifier and the 45FS1/45UVFS1 scanner. The FFRT time of the 25SU3-2100 amplifier is considered instantaneous for the selection 45FS1. The total FFRT would then be the FFRT setpoint of the 45FS1/45UVFS1 scanner. Refer to Bulletin CU-32 for additional information.

4-20 mA Output Range (4-20 RNG): This setpoint will scale the 4-20 mA output signal to match the anticipated flame signal **for each Scanner Logic Option**. For example, if 0-500 is selected, at 250 pulses, the output will be 12 mA. The available selections are 0-125, 0-250, 0-500, 0-750, 0-1000, 0-1500, 0-2000. This allows proper scaling for each scanner/logic option selection.

Flame Relay Delay On (RF DLY): The flame relay is not energized until the flame signal (based on the logic configuration selected via the Scanner Logic Option) is above the “Flame Relay On Threshold” setpoint (RF ON) for the time programmed under this setpoint (RF DLY). Allowable values are 0 to 10 seconds. This setpoint helps to ensure a stable flame signal before energizing the flame relay.

Marginal Alarm Threshold (MRG ALM): The marginal alarm relay is energized when the flame signal (based on the logic configuration selected via the Scanner Logic Option) is below this setpoint and the flame relay is energized. The flame signal must be below this setpoint for at least ten (10) seconds before the marginal alarm relay is energized. The Shutter Check Failure annunciation takes priority over the Marginal Alarm annunciation.

Marginal Alarm Option (MRG OPT): The user may select how the marginal alarm relay and LED will respond to pulses from scanners A and B. If “**EITHER**” is selected, the marginal alarm relay and LED will energize when *either* scanner A or scanner B pulses drop below the marginal alarm relay threshold for 10 seconds. If “**BOTH**” is selected, the marginal alarm relay and LED will energize only when *both* scanner A and scanner B pulses drop below the marginal alarm relay threshold for 10 seconds.

When a marginal alarm condition occurs, the marginal alarm relay will energize steady. If the signal from scanner A is marginal the alarm LED will flash a **3 second** intervals. If the signal from scanner B is marginal, the alarm LED will flash at **1 second** intervals. If “**BOTH**” was chosen as the Marginal Alarm Option, then the LED flash rate will indicate the scanner that first dropped below the threshold.

The default selection will be “**BOTH**” (A and B pulses). When the logic options “**A ONLY**” or “**B ONLY**” are selected, only the pulses from the appropriate scanner will be considered, regardless of selection.

Shutter Check Fail Option (SHTR CHK): This setpoint allows the user to select how the amplifier responds in the event of a shutter failure of the connected flame scanner(s).

If the SHTR CHK Setpoint is programmed YES: The 25SU3-2100 amplifier will annunciate the failure (Marginal Alarm LED blinks and Marginal Alarm Relay pulses at the interval indicated on page 12). and disregard the flame signal from the scanner with the failed shutter. If the Scanner Logic Option is selected for only the “failed” scanner (e.g. SCN A ONLY or SCN B ONLY), the 25SU3-2100 will de-energize the flame relay. If the Scanner Logic Option is using the signal from two scanners (e.g. A PLUS B or A OR B), the flame relay will remain energized if the flame signal from the remaining “good” scanner is above the Flame Relay Off Threshold setpoint (RF OFF).

If the SHTR CHK Setpoint is programmed NO: The 25SU3-2100 amplifier will annunciate the failure (Marginal Alarm LED blinks and Marginal Alarm Relay pulses at the interval indicated on page 12) but continue to use the flame signal from the “failed” scanner in the decision to energize or de-energize the flame relay. The flame relay will remain energized as long as the flame signal (based on the logic configuration selected via the Scanner Logic Option) is above the Flame Relay Off Threshold setpoint (RF OFF).

In the event of a shutter failure, the message SHT FL A (or B) (Shutter Failure Scanner A [or B]) will be displayed on the 8 character LED alpha-numeric display.



WARNING: To ensure fail-safe operation, the SHTR CHK setpoint must be programmed YES. Always refer to and comply with prevailing approval codes/safety codes before programming the SHTR CHK setpoint.



THE STATUS AND SETPOINT GROUPS

THE STATUS GROUP

MNEMONIC	DESCRIPTOR	VALUE
A = XXX	SCANNER A PULSE RATE	Scanner A input flame signal pulse rate, 0-1900 pulses/sec.
B = XXX	SCANNER B PULSE RATE	Scanner B input flame signal pulse rate, 0-1900 pulses/sec.
RF RLY	FLAME RELAY STATUS	'OFF' / 'ON'
MRG ALRM	MARGINAL ALARM RELAY STATUS	'OFF' / 'ON'
4-20 OUT	ANALOG OUTPUT	Current flame signal strength scaled by user.
SCNA SHT*	SCANNER A SHUTTER CLOSE PULSES	Flame pulses from scanner A detected during shutter close period.
SCNB SHT*	SCANNER B SHUTTER CLOSE PULSES	Flame pulses from scanner B detected during shutter close period.

**Note: Normally, shutter close pulses =0. If a value is displayed, it may be due to a defective shutter or UV tube, or electrical interference. With a 45RM4 scanner, a displayed value may be due to a low flicker-frequency switch position. With a 45FS1 or 45UVFS1 scanner (and FFRT=45FS1), it is normal for a value to be shown and the parameter may be ignored.*

THE SETPOINT GROUP

Factory Defaults: The factory has set Default Values for the SETPOINT GROUP.

SETPOINT	DEFAULT VALUE	
SCN OPT1	A OR B	SCANNER LOGIC OPTION 1 SETPOINTS
RF ON 1	400 PULSES/SEC	
RF OFF 1	200 PULSES/SEC	
MRG ALM1	300 PULSES/SEC	
FFRT 1	1 SEC (SEE WARNING BELOW)	
4-20 RG1	0-250 PULSES/SEC (full scale)	
MRG OPT1	BOTH	
SCN OPT2	A OR B	SCANNER LOGIC OPTION 2 SETPOINTS
RF ON 2	400 PULSES/SEC	
RF OFF 2	200 PULSES/SEC	
MRG ALM2	300 PULSES/SEC	
FFRT 2	4 SEC (SEE WARNING BELOW)	
4-20 RG1	0-250 PULSES/SEC (full scale)	
MRG OPT2	BOTH	
SHTR CHK	YES	COMMUNICATION SETPOINTS
RF DLY	0 SEC	
CTS DLY	50 mSec	
CMM PROT	A-B	
MAST NUM	255 = *377	
DEV NUM	1 = *1	
BAUD	1200 baud	
REV NUM	8.C (or latest)	
LV1 PASS	2	
LV2 PASS	5	
SYSTEM TEST	OFF	



WARNING: As delivered from factory, FFRT1 and FFRT2 are configured for 1 second and 4 seconds respectively. THE FFRT SHOULD BE SELECTED TO COMPLY WITH APPLICABLE SAFETY CODES AND REGULATIONS



25SU3-2100 SETPOINTS AND ALLOWABLE VALUES

MNEMONIC	DESCRIPTION	VALUE
SCN OPT1	SCANNER USAGE OPTIONS 1	One of the following: A ONLY A OR B B ONLY A AND B A PLUS B A XOR B
RF ON 1	FLAME RELAY ON THRESHOLD 1	Scanner pulse rate (pps) required to turn flame relay ON (5 - 1900)
RF OFF 1	FLAME RELAY OFF THRESHOLD 1	Scanner pulse rate (pps) required to turn flame relay OFF (5 - 1900)
MRG ALM1	MARGINAL ALARM THRESHOLD 1	Threshold level required to energize marginal flame relay (5- 1900pps).
FFRT 1	FLAME FAILURE RESPONSE TIME (SEE WARNING, PREVIOUS PAGE)	Time to flame relay off 4 secs 1 secs 5 secs 2 secs 6 secs 3 secs 45FS1 (for use with 45FS1 and 45UVFS1 scanners only)
4-20 RG1	4-20 MA OUTPUT PULSE RANGE	Scalable analog output range of flame intensity: 0-125 0-250 0-500 0-750 0-1000 0-1500 0-2000
MRG OPT1	MARGINAL ALARM OPTION 1	One of the following: BOTH EITHER
SCN OPT2	SCANNER USAGE OPTIONS 2	One of the following: A ONLY A OR B B ONLY A AND B A PLUS B A XOR B
RF ON 2	FLAME RELAY ON THRESHOLD 2	Scanner pulse rate (pps) required to turn flame relay ON (5-1900)
RF OFF 2	FLAME RELAY OFF THRESHOLD 2	Scanner pulse rate (pps) required to turn flame relay OFF (5-1900)
MRG ALM2	MARGINAL ALARM THRESHOLD 2	Threshold level required to energize marginal flame relay (5-1900pps)
FFRT 2	FLAME FAILURE RESPONSE TIME 2 (SEE WARNING, PREVIOUS PAGE)	Time to flame relay off 4 secs 1 secs 5 secs 2 secs 6 secs 3 secs 45FS1 (for use with 45FS1 and 45UVFS1 scanners only)
4-20 RG2	4-20 MA OUTPUT RANGE	Scalable analog output range of flame intensity: 0-125 0-250 0-500 0-750 0-1000 0-1500 0-2000
MRG OPT 2	MARGINAL ALARM OPTION 2	One of the following: BOTH EITHER
SHTR CHK	SHUTTER CHECK FAIL OPTION	Yes or No. De-energize flame relay on scanner shutter failure.
RF DLY	FLAME RELAY DELAY ON	Consecutive secs. for flame signal to be above ON threshold to Flame Relay ON. Range: 0 - 10 secs.
CTS DLY	CLEAR TO SEND DELAY	Delay before response message sent; 0-255 milli-seconds
CMM PROT	COMMUNICATION PROTOCOL	Communication protocol selected (DF1 or MODBUS)
MAST NUM	MASTER NUMBER DECIMAL = *OCTA	Master number; multi-master communication system; 0-255
DEV NUM	DEVICE NUMBER DECIMAL = * OCTA	Local address number; 1-254.
BAUD	BAUD RATE	Baud rate for communication: 300 1200 2400 4800 9600
REV NUM	REVISION NUMBER	Software revision number
LV1 PASS	ENTER LEVEL 1 PASSWORD	Enter the appropriate Level 1 password here.
LV2 PASS	ENTER LEVEL 2 PASSWORD	Enter the appropriate Level 2 password here.
SET LVL1	SET LEVEL 1 PASSWORD	Change the appropriate Level 1 password here, if desired.
SET LVL2	SET LEVEL 2 PASSWORD	Change the appropriate Level 2 password here, if desired.
SYS TEST	SYSTEM TEST	System Test 2: This immediately times-out the password. The password will have to be re-entered before any parameter can be changed.



PASSWORD PROTECTION

The 25SU3-2100 is shipped with a default password set at 2, 5 (LV1 PASS = 2 and LV2 PASS = 5). It is necessary to enter this password before any parameter can be modified.

ENTERING THE FACTORY DEFAULT PASSWORD LV1 PASS = 2 and LV2 PASS = 5

After the unit has been powered up, PRESS the **Mdfy/Enter** key to enter the SETPOINT GROUP.

1. PRESS the **Up/Next** key until **LV1 PASS 0** is displayed
PRESS the **Mdfy/Enter** key. The **MODIFY LED** on the front panel will illuminate.
PRESS the **Up/Next** key until 2 appears in the display.
PRESS the **Mdfy/Enter** key. The display shows LV1 PASS 2. The **MODIFY LED** goes out.
2. PRESS the **Up/Next** key until LV2 PASS 0 is displayed.
PRESS the **Mdfy/Enter** key. The **MODIFY LED** on the front panel will illuminate.
PRESS the **Up/Next** key until 5 appears in the display.
PRESS the **Mdfy/Enter** key. The display shows LV2 PASS 5. The **MODIFY LED** goes out.

After entering the password, the user can now modify any of the setpoint values.

CHANGING THE PASSWORD

Once the proper passwords have been entered, the user can now change either of the two password levels. Following is an example to change the Level 1 password from 02 to 10, and the Level 2 password from 05 to 20:

1. PRESS the **Up/Next** key until SET LV1 2 is displayed.
PRESS the **Mdfy/Enter** key. The **MODIFY LED** on the front panel will illuminate.
PRESS the **Up/Next** key until 10 appears in the display.
PRESS the **Mdfy/Enter** key. The display shows SET LV1 10. The **MODIFY LED** goes out.
2. PRESS the **Up/Next** key until SET LV2 5 is displayed.
PRESS the **Mdfy/Enter** key. The **MODIFY LED** on the front panel will illuminate.
PRESS the **Up/Next** key until 20 appears in the display.
PRESS the **Mdfy/Enter** key. The display shows SET LV2 20. The **MODIFY LED** goes out.

A new password has now been set to LV1 PASS = 10 and LV2 PASS = 20.

REMOVING PASSWORD PROTECTION

The user can remove software password protection by setting both Level 1 password and Level 2 password to zero. Any user will then be able to modify any setpoint without entering a new password. When the password protection has been removed, the mnemonic codes are SET LVL1 and SET LVL 2, followed by the value zero. The user can enable the password protection mode by changing the Level 1 and/or Level 2 password to a value other than zero.

FIVE MINUTE TIMEOUT

Once the password has been entered or set, there is a five (5) minute timeout period after any key is pressed, within which the user can modify any setpoint parameter without having to re-enter the password. If no keys are pressed for a period of five minutes, then the password must be entered to gain access to the modify mode.

SYSTEM TEST 2 — BYPASS FIVE MINUTE TIMEOUT

After entering the passwords and modifying setpoint parameters, the user may chose to immediately cancel the password clearance by performing a System Test 2. After performing System Test 2, the normal five-minute password time-out is bypassed. The password would have to then be re-entered in order to further modify any setpoint.

PROCEDURE:

- PRESS the **Mdfy/Enter** key.
- PRESS the **Up/Next** key until **SYS TEST OFF** is displayed.
- PRESS the **Mdfy/Enter** key. The **MODIFY LED** on the front panel will illuminate.
- PRESS the **Up/Next** key until 2 appears in the display.
- PRESS the **Mdfy/Enter** key. The **MODIFY LED** on the front panel will go out.



PROGRAMMING SETPOINTS

Determining the appropriate setpoint values for the flame relay ON and OFF thresholds can only be done after observing the actual flame signal pps (pulses per second). The user must observe and record the flame signal, first with the target flame present and then with the target flame turned off but with other flames present in the boiler (if applicable).

The RF ON Threshold setpoint should be some number lower than the lowest observed flame ON signal. The flame OFF Threshold setpoint should be some number higher than the highest observed flame OFF signal. The flame OFF threshold should not be set higher than the flame ON threshold.

Example 1, Analog Scanner (e.g. 45UV5, 45RM4)

The flame ON signal is observed to range from 600 to 1000 pps, and the flame OFF signal is observed to range from 50 to 150 pps. An appropriate flame ON threshold (RF ON) may be 500 pps and an appropriate flame OFF threshold (RF OFF) may be 250 pps.

Example 2, Digital Scanner (e.g. 45FS1, 45UVFS1)

The Signature scanners typically output from 175 to 275 pps with flame ON and 0 pps with flame OFF. With these scanners, it is common to select a flame ON threshold of 100 pps and a flame OFF threshold of 50 pps.

PROGRAMMING SETPOINTS, PROCEDURE

To help the user in making SETPOINT changes via the MODIFY MODE, the following example with the key stroke sequence is given:

Set-up the following:

SCN OPT2 (A AND B)
RF ON 2 (500)
RF OFF 2 (250)
MRG ALM2 (300)
FFRT 2 (4 SECS)
4-20 RNG (1000)
MRG OPT1 (EITHER)

1. PRESS the **Mdfy/Enter** key. The display will show the Scanner Option chosen. If SCN OPT2 is displayed, Go to Step 2. Otherwise, PRESS THE **Up/Next** key until SCN OPT2 is displayed.
2. If A AND B is displayed, then Go to Step 3. Otherwise, PRESS the **Mdfy/Enter** key. The **MODIFY LED** on the front panel will illuminate. PRESS the **Up/Next** key until A AND B is displayed. PRESS the **MDFY/Enter** key. The **MODIFY LED** will go out. The display will show SCN OPT2 A AND B.
3. PRESS the **Up/Next** key until RF ON 2 and a numerical value is displayed. If the numerical value is 500, then Go to Step 4. Otherwise, PRESS the **Mdfy/Enter** key. The **MODIFY LED** will illuminate. PRESS either the **Up/Next** key or the Down/Back key until a value of 500 is displayed. PRESS the **MDFY/Enter** key. The **MODIFY LED** will go out. The display shows RF ON 2 500.
4. PRESS the **Up/Next** key until RF OFF 2 and a numerical value is displayed. If the numerical value is 250, then Go to Step 5. Otherwise, PRESS the Modify/Enter key. The **MODIFY LED** will illuminate. PRESS either the **Up/Next** key or the Down/Back key until a value of 250 is displayed. PRESS the **MDFY/Enter** key. The **MODIFY LED** will go out. The display shows RF OFF 2 250.
5. PRESS the **Up/Next** key until MRG ALM2 and a numerical value is displayed. If the numerical value is 300, then Go to Step 6. Otherwise, PRESS the **Mdfy/Enter** key. The **MODIFY LED** will illuminate. PRESS either the **Up/Next** key or the Down/Back key until a value of 300 is displayed. PRESS the **MDFY/Enter** key. The **MODIFY LED** will go out. The display shows MRG ALM2 300.
6. PRESS the **Up/Next** key until FFRT2 and the number of seconds appears on the display. If the time is 4 sec, stop here. Otherwise, PRESS the **Mdfy/Enter** key. The **MODIFY LED** will illuminate. PRESS either the **Up/Next** key or the Down/Back key until 4 sec is displayed. PRESS the **MDFY/Enter** key. The **MODIFY LED** will go out. The display will show FFRT2 4 SEC.

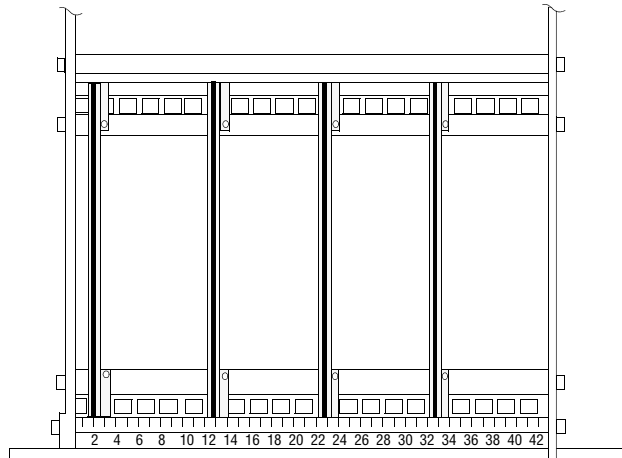
7. PRESS the **Up/Next** key until 4-20 RNG and a numerical value is displayed. If the numerical value is 0-1000, stop here. Otherwise, PRESS the **Mdfy/Enter** key. The **MODIFY LED** will illuminate. Press either the **Up/Next** key or the **Down /Back** key until 0-1000 is displayed. PRESS the **Mdfy/Enter** key. The **MODIFY LED** will go out. The display will show 4-20 RNG 0-1000.
8. PRESS the **Up/Next** key until MRG OPT2 (and choice) appears on the display. If the choice displayed is "EITHER," stop here. If the choice displayed is "BOTH," PRESS the **Mdfy/Enter** key. The **MODIFY LED** will illuminate. Press either the **Up/Next** key or the **Down/Back** key until "EITHER" is displayed. PRESS the **Mdfy/Enter** key. The **MODIFY LED** will go out. The display will show MRG OPT2 EITHER.
9. To return to the StatusGroup, press the **HELP** key twice.

INSTALLATION OF AMPLIFIERS AND POWER SUPPLIES

The Half Rack (60-2471-1) is shipped with 4 factory mounted rack guides with their centerlines (center groove of the rack guide) in positions 3, 13, 23, and 33 with their extensions facing right (as viewed from the top and front). See Figure 5. The half rack also includes one 60-2478 connector screwed into position 34. The Full Rack (60-2471-3) is shipped with 8 factory mounted rack guides with their centerlines (center groove of the guide rack) in positions 5, 15, 25, 35, 45, 55, 65, and 75 with their extensions facing right (as viewed from the top and front). The full rack also includes one 60-2478 connector screwed into position 76. Each position corresponds to approx .2 of an inch, or 1 HP (Horizontal Pitch). Each rack guide is factory shipped 10HP apart.

Note: The position of the rack guides is referenced to the centerline of the rack guide.

FIGURE 5. FACTORY DEFAULT GUIDES FOR HALF RACK



To install 25SU3-2100 amplifiers or 19MPS-2000 power supplies¹

Since the 25SU3-2100 amplifier and 19MPS-2000 power supplies are both 10HP wide, the rack guides do not have to be moved. The connectors are installed 1 position away from the centerlines of the rack guides. Screw the connector (60-2478 or 60-2480) as required into positions 4, 14, and 24 on the half rack, and positions 6, 16, 26, 36, 46, 56, and 66 on the full rack.

Note: If desired, filler plates are available to close any openings. Refer to the section on "Filler Plates."

To install the 19UVPS-2120, -2220 power supply

The 19UVPS power supply is only 8HP wide, and the rack guides are factory installed 10HP apart. There are two options for installing the power supply.

¹. The 19MPS-2000 power supply is a dual voltage device (120VAC or 220VAC). It is shipped in the 220 VAC position. Be sure to select the correct voltage (via the switch on the printed circuit board), prior to installation.

1. Use the existing rack guides. The connector for the 19UVPS power supply (60-2478 or 60-2480) is installed 1 position away from the centerline of the appropriate rack guide (e.g. screw the connector into position 14 if the power supply is mounted in the rack guide in position 13. If desired, a 2 HP filler plate (60-2490-2) will be required to close the opening between the 19UVPS power supply and 25SU3-2100 amplifier.
2. Assuming the amplifiers are installed in the far right positions, move the rack guide that is closest to the amplifiers 2 positions to the right as viewed from the front of the rack (e.g. from rack guide position 13 to position 15 on the half rack). Install the connector (60-2478 or 60-2480) one position away from the centerline of the rack guide (e.g. rack guide moved to position 15, screw connector into position 16).

For example: A full rack (60-2471-3) has five (5) amplifiers mounted in the factory installed rack guide positions 35, 45, 55, 65, and 75. Connectors are screwed into positions 36, 46, 56, 66, and 76. To install the 19UVPS power supply, move the rack guide from position 25 to position 27, and install the connector into position 28.

To install the 60-2470-1, -2 power supply

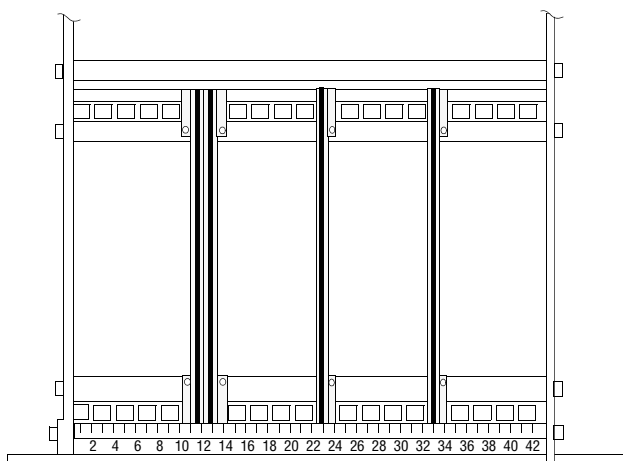
The 60-2470-1, -2 power supply is only 8HP wide and the rack guides are factory installed 10HP apart. **In addition, the 60-2470-1, -2 is a right hand mount** (the right side of the 60-2470-1,-2 power supply slides into the rack guides). The other power supplies and the 25SU3-2100 amplifiers are left hand mount. Because the rack guides are factory installed 10HP apart for left hand mounts, the rack guides used for the 60-2470-1, -2 power supply **must be moved** so their extensions **face left** (as viewed from the front and top). See Figure 6.

Assuming the amplifiers and 19UVPS power supply (if used) are installed in the far right positions:

1. Remove an unused rack guide.
2. Reverse the position of the rack guide so the extensions are facing left (as viewed from the front or top).
3. Place the rack guide (with its extensions facing left) in the position immediately to the left of the rack guide for the amplifiers (or 19UVPS power supply). For example, the rack guide for the amplifier is installed in position 35 of the full rack, install the rack guide for the 60-2470-1, -2 power supply so its centerline is in position 34.
4. Install the connector (60-2482) 5 positions to the left of the rack guide (e.g. the centerline of the rack guide is in position 34, install the connector in position 29).

FIGURE 6.

RACK GUIDE POSITIONS FOR 3 AMPLIFIERS AND 60-2470 POWER SUPPLY



MOUNTING, GROUNDING AND SHIELDING THE 25SU3-2100

The Fireye 25SU3-2100 and associated rack is designed to be mounted in a metal enclosure where the product will reside permanently. Proper shielding of the rack must be observed.



CAUTION: The shielded scanner cable (P/N 59-470, 59-471) will be used to connect the scanner. It is very important to verify that the shield (wire) of this cable is connected to the chassis earth ground via the rear of each amplifier to terminal D32 or Z32. Terminals D32 or Z32 must be connected to a good earth ground.

Note: The shield must be tied to a good earth ground at only one end of the scanner cable (at the amplifier end).

FIGURE 7. WIRING DIAGRAM OF AMPLIFIER CONNECTOR (RACK BACK VIEW)

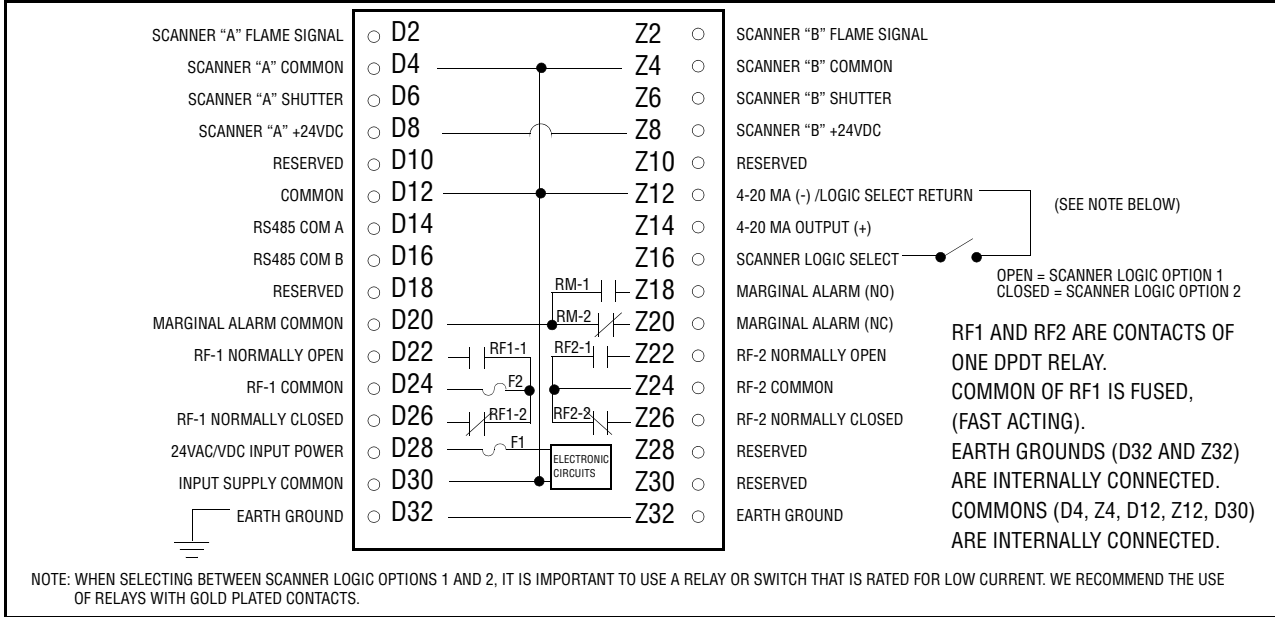


FIGURE 8. POWER WIRING DIAGRAM: 60-2470 24VDC POWER SUPPLY AND THREE 25SU3-2100 AMPLIFIERS

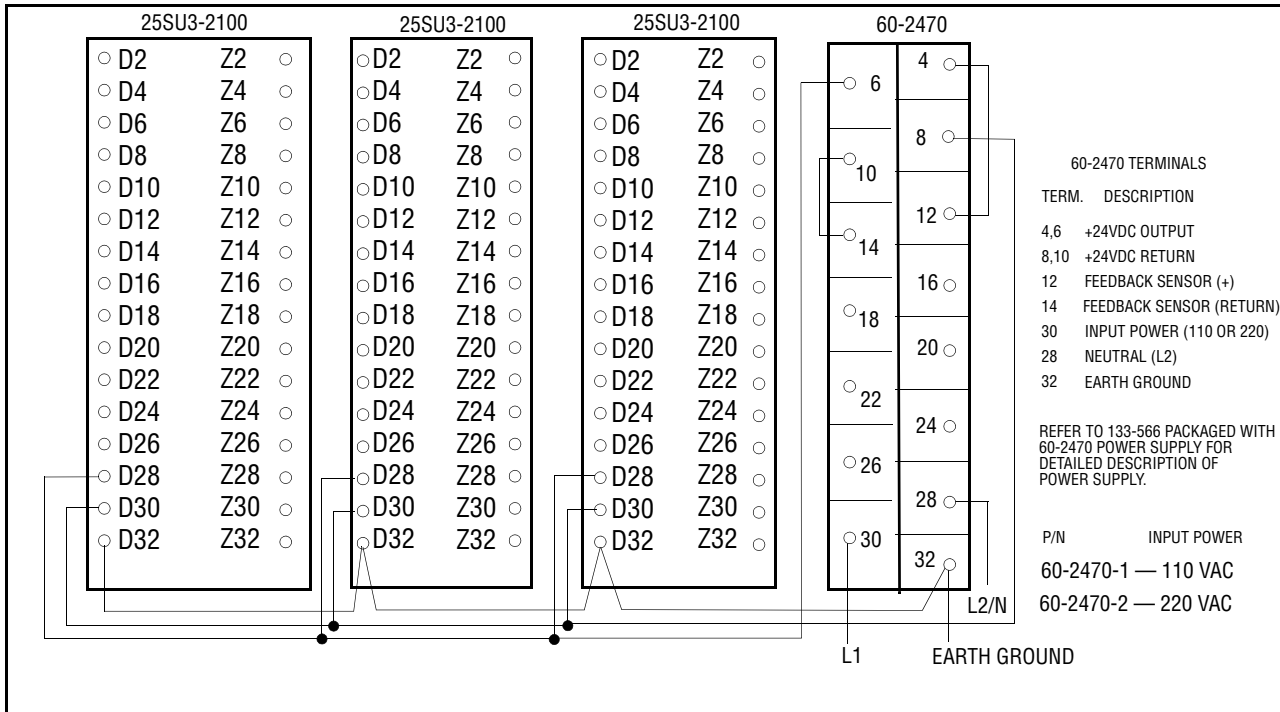


FIGURE 9. SCANNER WIRING DIAGRAM: 25SU3-2100 AMPLIFIER 45RM4/45FS1/45UVFS1 WIRING COMBINATION 1,2

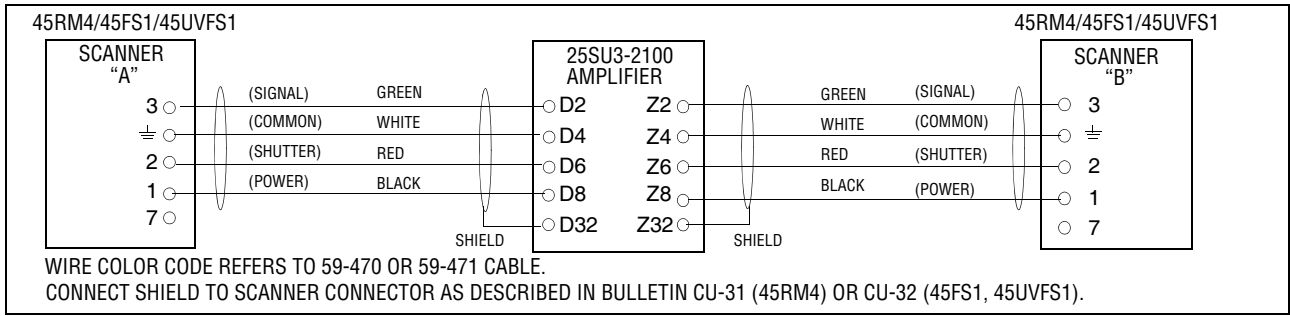


FIGURE 10. SCANNER WIRING DIAGRAM: 25SU3-2100 AMPLIFIER 19UVPS/45RM1, 45RM2 SCANNER WIRING COMBINATIONS 1,2,3

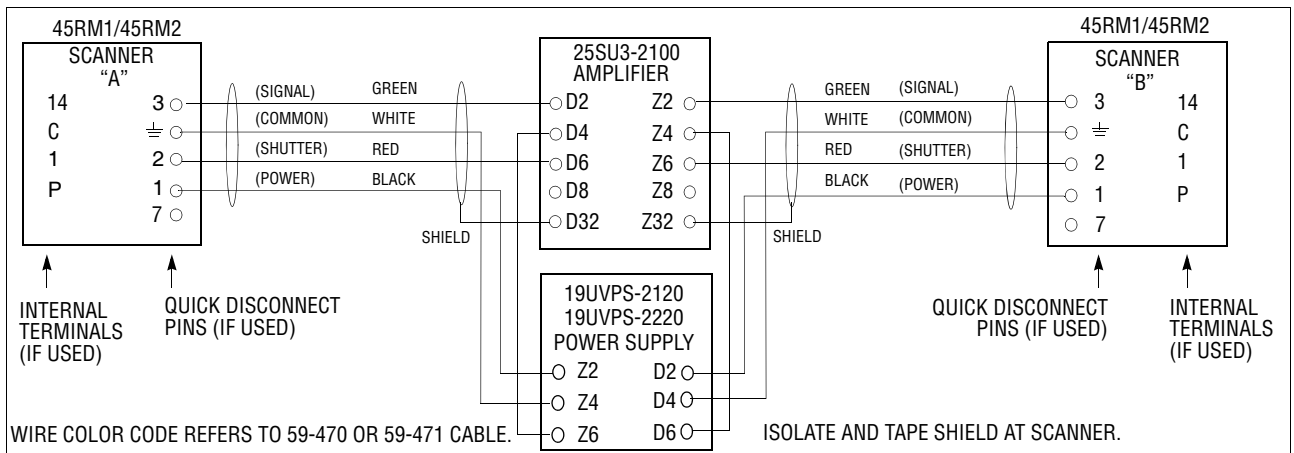


FIGURE 11. SCANNER WIRING DIAGRAM: 25SU3-2100 AMPLIFIER 19UVPS/45UV5 SCANNER WIRING COMBINATIONS 1,2,3

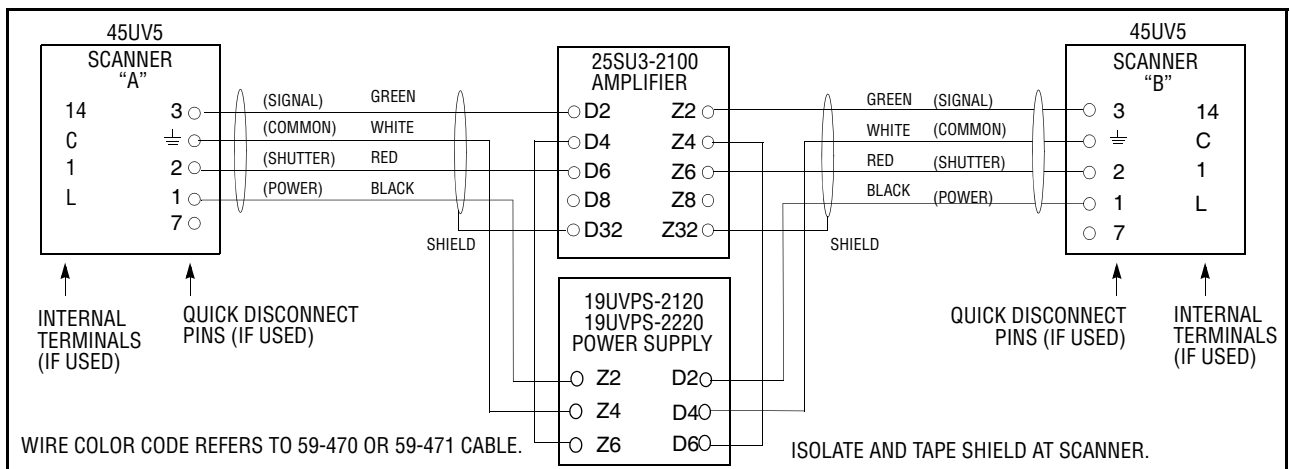


FIGURE 12. 19MPS-2000 Power Supply and two (2) 25SU3-2100 Amplifiers, each with one AC and one DC Scanner¹

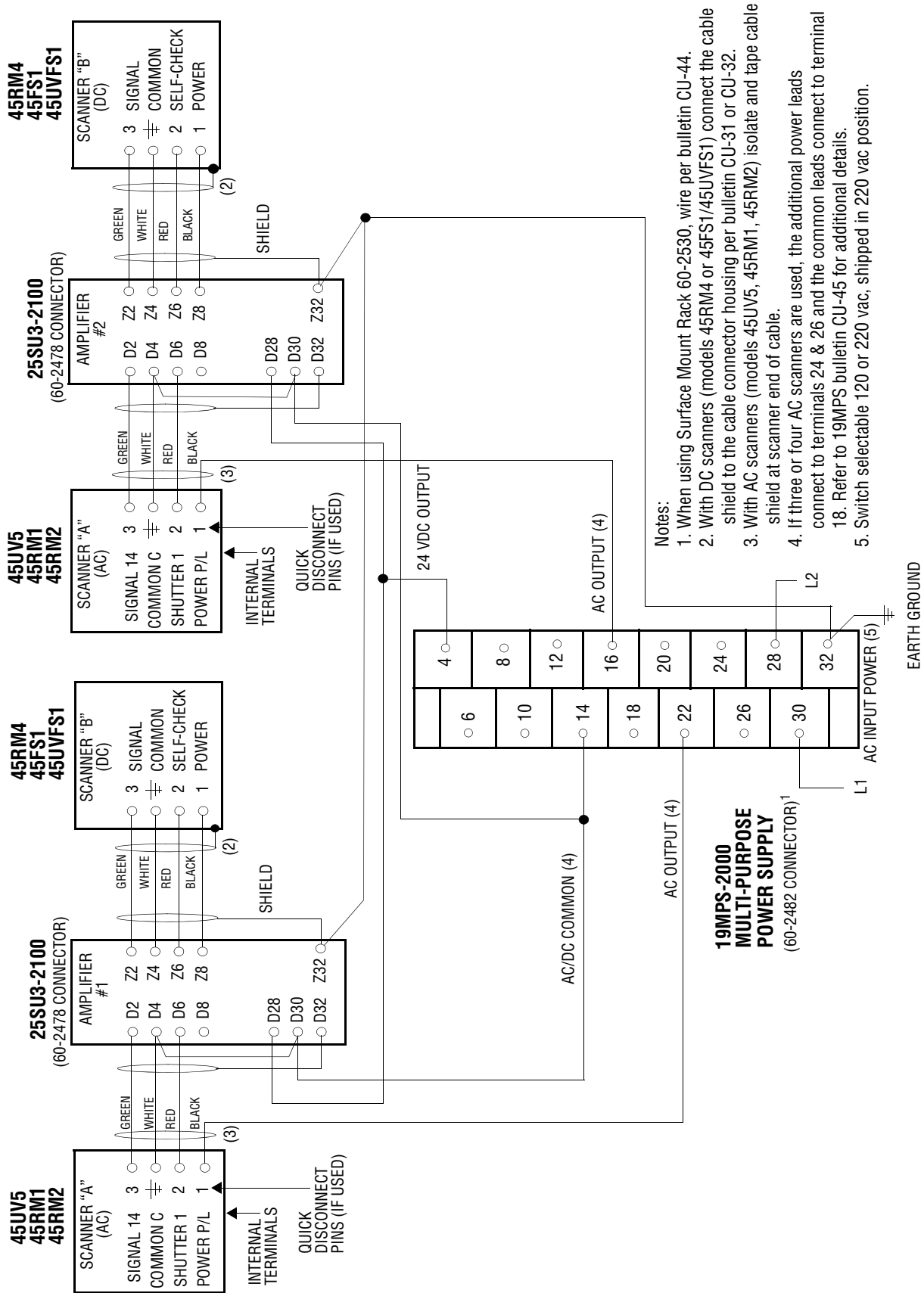


FIGURE 13. SCANNER WIRING DIAGRAM: 25SU3-2100 AMPLIFIER WITH C9701 FLAME SCANNERS

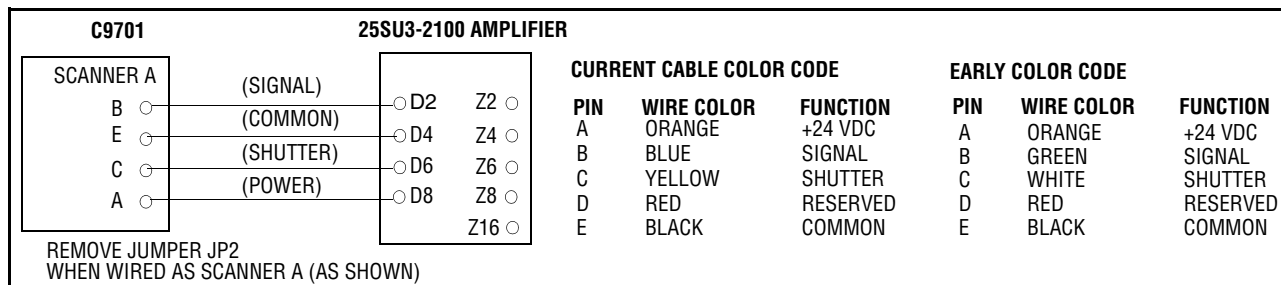
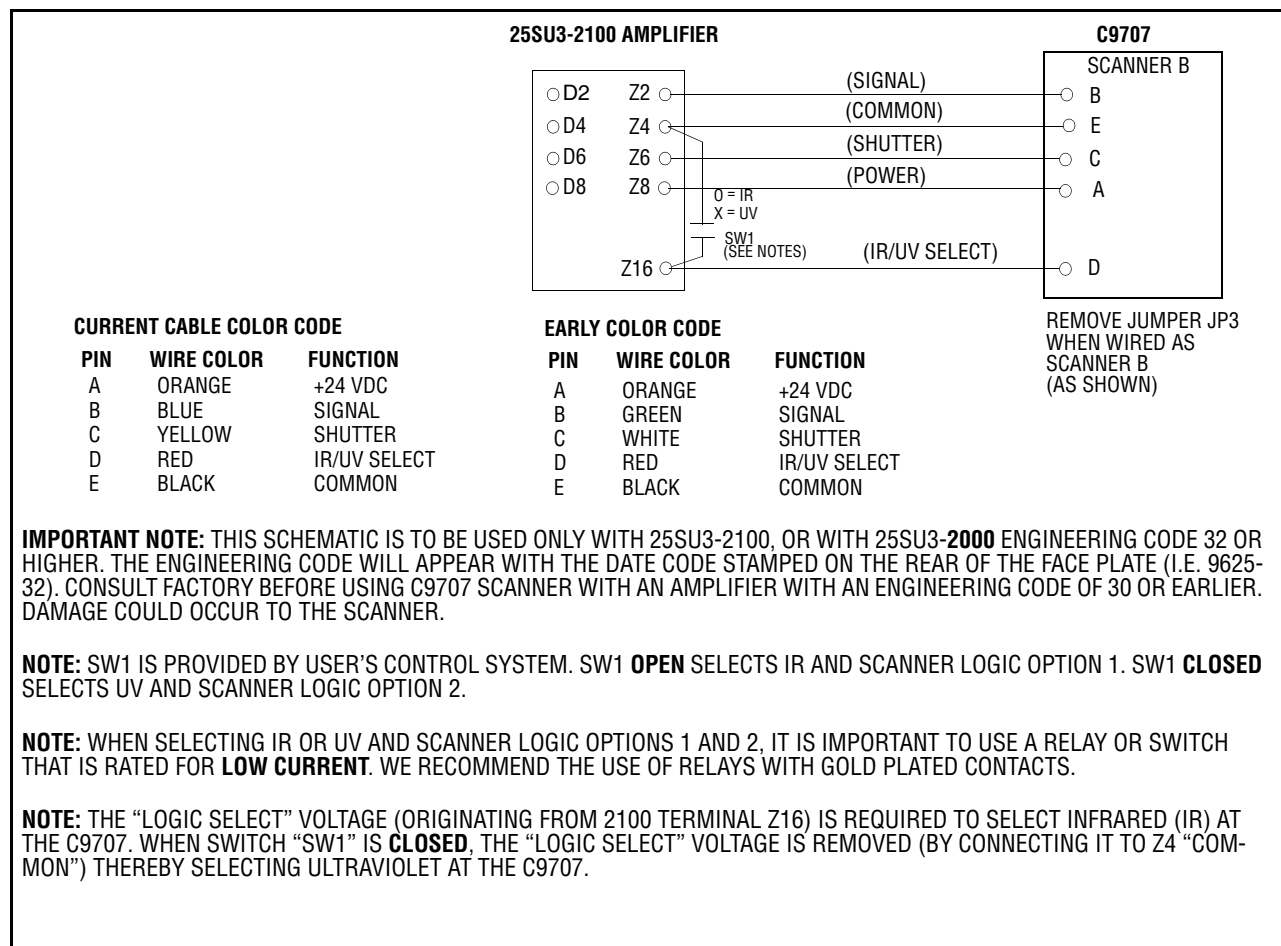


FIGURE 14. SCANNER WIRING DIAGRAM: 25SU3-2100 AMPLIFIER WITH C9707 FLAME SCANNERS





NOTICE

When Fireeye products are combined with equipment manufactured by others and/or integrated into systems designed or manufactured by others, the Fireeye warranty, as stated in its General Terms and Conditions of Sale, pertains only to the Fireeye products and not to any other equipment or to the combined system or its overall performance.

WARRANTIES

FIREEYE guarantees for *one year from the date of installation or 18 months from date of manufacture* of its products to replace, or, at its option, to repair any product or part thereof (except lamps, electronic tubes and photocells) which is found defective in material or workmanship or which otherwise fails to conform to the description of the product on the face of its sales order. **THE FOREGOING IS IN LIEU OF ALL OTHER WARRANTIES AND FIREEYE MAKES NO WARRANTY OF MERCHANTABILITY OR ANY OTHER WARRANTY, EXPRESS OR IMPLIED.** Except as specifically stated in these general terms and conditions of sale, remedies with respect to any product or part number manufactured or sold by Fireeye shall be limited exclusively to the right to replacement or repair as above provided. In no event shall Fireeye be liable for consequential or special damages of any nature that may arise in connection with such product or part.



® FIREEYE
3 Manchester Road
Derry, New Hampshire 03038 USA
www.fireeye.com

CU-34
APRIL 21, 2008
Supersedes Aug. 2, 2007