

Liquid Filled



'HW' 160MM STAINLESS STEEL

- Liquid Filled or Dry - Field Fillable
- Socket Welded to the Case
- Ranges to 20,000 psi
- Heavy Duty All Stainless Steel

Marsh Instruments 'HW' 160mm Stainless Steel gauges feature a top fill plug. Ranges to 20,000 Psi and is available dry of liquid filled. All Marsh Stainless Steel gauges are suitable for harsh and corrosive environments.

Typical applications include refineries, chemical plants, offshore platforms, oil rigs, marine applications, general industrial application and OEM processes.

STANDARD RANGES & PART NUMBERS

SPECIFICATIONS

ACCURACY
ASME Grade 1A - ±1.0% of range across full scale

CASE SIZES
160mm diameter (6")

CASE MATERIAL
304 Stainless Steel

CASE STYLES
LM - Lower Mount

TUBE & SOCKET
316 Stainless steel welded to the case

MOVEMENT
Stainless Steel

CONNECTION
½" NPT

RANGES
15 to 20,000 psi

DIAL STANDARD
Dual scale psi and kPa

DIAL COLOR
Black markings on white

POINTER
Aluminum, black painted

WINDOW
Safety glass

FILL MEDIUM
See options

VENT
Rubber plug with snip-off feature

'HW' 160MM STAINLESS STEEL GAUGES	
Size	160mm
Case Material	304 Stainless Steel
Internals	316 Stainless Steel
Mounting / Case Style	LM
Connection	½" NPT
Scale Standard	psi/kPa
0 to 15 psi	
0 to 30 psi	HW30942
0 to 60 psi	HW30946
0 to 100 psi	HW30948
0 to 160 psi	HW30952
0 to 200 psi	HW30954
0 to 300 psi	HW30958
0 to 400 psi	HW30960
0 to 600 psi	HW30964
0 to 1,000 psi	HW30972
0 to 1,500 psi	HW30974
0 to 2,000 psi	HW30976
0 to 3,000 psi	HW30978
0 to 5,000 psi	HW30982
0 to 10,000 psi	HW30990
0 to 20,000 psi	HW30994

NOTE: Items are available on special order. However, minimums and lead times apply. Consult factory.

NOTE: To order filled, consult filling chart below.

'HW' 160MM STAINLESS STEEL GAUGE OPTIONS			
OPTION	TYPE	SUFFIX	AVAILABLE ON MODELS
Fill Medium	Dry (no fill)	Standard	All ranges
	Glycerine (GL)	Add suffix P	
	Silicone (SL)	Add suffix PI	
Catalog Dials	psi only	E	
	BAR only	L1	
	kg/cm ² only	L2	
	kPa only	L3	
	MPa only	L4	
	psi & BAR	W1	
	psi & kg/cm ²	W2	
	psi & MPa	W4	



63MM LIQUID FILLED BRASS GAUGES

- Ranges to 10,000 psi
- Field Fillable
- Rugged One Piece Construction
- 63mm Case Size

Marsh Instruments Brass Case liquid filled gauges are designed to perform in severe applications. When pulsation and vibration are a problem, this one piece forged brass gauge is up to the task. Liquid filling lubricates the movement, protects the gauge internals, and reduces pointer flutter. The hermetically sealed construction reduces the chance for leaks, and makes field filling an easy option. This product features a vented top fill plug for continuous pressure relief.

Typical applications include power units, robotics, pumps, compressors, hydraulics, as well as die cast machinery, marine, and automotive applications.

STANDARD RANGES & PART NUMBERS

TYPE	63MM LIQUID FILLED BRASS
Size	63mm
Case Material	Forged Brass
Internals	Copper Alloy
Mounting / Case Style	LM
Connection	1/4" NPT
Scale Standard	psi/kPa
0 to 30" Hg VAC	W9005
30" Hg VAC to 30 psi	W9012
30" Hg VAC to 60 psi	W9014
30" Hg VAC to 100 psi	W9016
0 to 15 psi	W9040
0 to 30 psi	W9042
0 to 60 psi	W9046
0 to 100 psi	W9048
0 to 160 psi	W9052
0 to 200 psi	W9054
0 to 300 psi	W9058
0 to 400 psi	W9060
0 to 600 psi	W9064
0 to 1,000 psi	W9072
0 to 1,500 psi	W9074
0 to 2,000 psi	W9076
0 to 3,000 psi	W9078
0 to 5,000 psi	W9082
0 to 6,000 psi	W9084
0 to 7,500 psi	W9086
0 to 10,000 psi	W9090

63MM LIQUID FILLED BRASS GAUGE OPTIONS

OPTION	TYPE	SUFFIX	AVAILABLE ON MODELS
Fill Medium	Dry (no fill)	Standard	All ranges
	Glycerine	Add suffix P	
	Silicone (SL)	Add suffix PI	



SPECIFICATIONS

ACCURACY
ASME Grade $\pm 2/1/2\%$ (1% of range across middle half of scale)

CASE SIZES
63mm diameter (2.62")

CASE MATERIAL
Forged Brass (one piece case & socket)

CASE STYLES
LM - Lower Mount with screw on brass ring

TUBE & SOCKET
Copper alloy

MOVEMENT
Brass

CONNECTION
1/4" NPT

RANGES
0 to 30" Hg VAC, Compound
30" to 100 psi, 15 to 10,000 psi

DIAL STANDARD
Dual scale psi and kPa

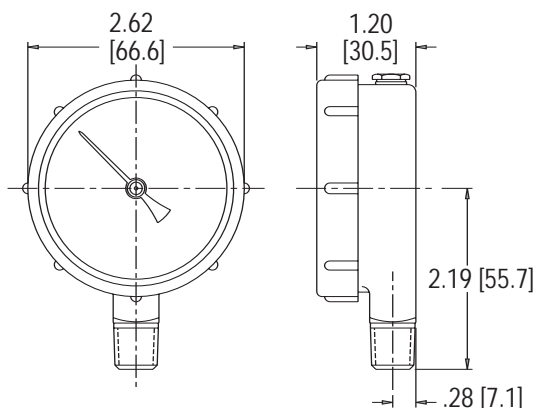
DIAL COLOR
Black markings on white

POINTER
Aluminum, black painted

WINDOW
Acrylic

FILL MEDIUM
See Options

VENT
Rubber plug with snip-off feature



QUALITY GAUGE

- Dial Sizes: 3½" and 4½"
- Stainless Steel Movement
- 3 Case Styles
- Recalibrator Standard
- Ranges to 20,000 psi

Marsh Quality Gauges feature the exclusive recalibrator and the accuracy is within ±1% in the middle half of span. These gauges provide continuous service at an economical price.

Typical applications include air compressors, reciprocating pumps, boilers, engines, hydraulic presses and countless other industrial and OEM applications.



SPECIFICATIONS

ACCURACY

ASME Grade A $\pm 2/1/2\%$ ($\pm 1\%$ of range in middle half of scale)

CASE SIZES

3½" and 4½" diameter
6" diameter (see options)

CASE MATERIAL

Steel, black painted

CASE STYLE

F – Front Flanged, Lower Back Mount with U-Clamp; 4½" has Hinged Ring (LBM)

G – Back Flanged case

P – Plain Case, Lower Mount

TUBE & SOCKET

Copper alloy

MOVEMENT

Stainless Steel

RECALIBRATOR

Standard 3½" only, 4½" has adjustable pointer

CONNECTION

¼" or ½" NPT

RANGES

0 to 30" Hg VAC; Compound 30" Hg VAC to 300 psi; 15 to 20,000 psi

DIAL STANDARD

Single scale psi

DIAL COLOR

Black markings on white

POINTER

Aluminum, black painted

WINDOW

Instrument Glass

STANDARD RANGES & PART NUMBERS

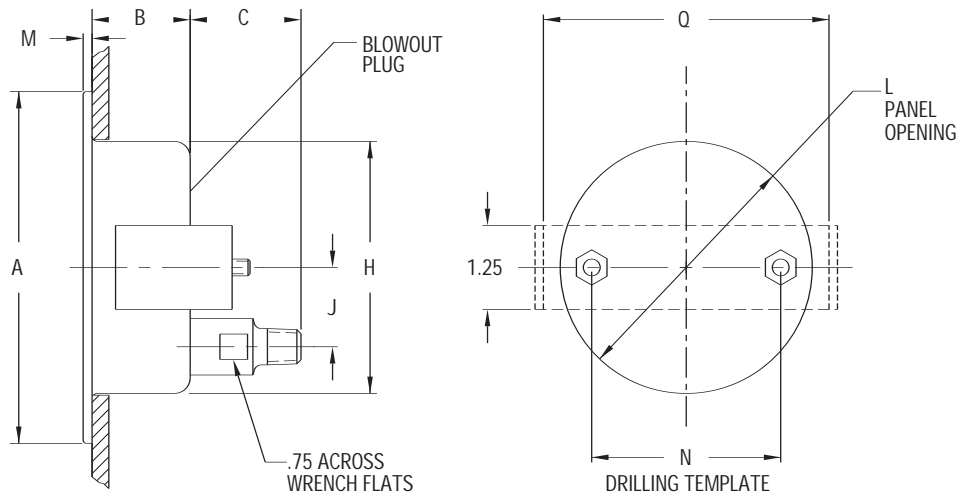
TYPE	QUALITY GAUGES						
	With Recalibrator				With Adjustable Pointer		
Size	3½"				4½"		
Internals	Copper Alloy				Copper Alloy		
Case Material	Steel				Steel		
Mounting	LM	LM	LBM	LBM	LM	LM	LBM
Connection	¼" NPT	¼" NPT	¼" NPT	¼" NPT	¼" NPT	½" NPT	¼" NPT
Case Style	P	G	G	F	P	P	F
Scale Standard	psi	psi	psi	psi	psi	psi	psi
0 to 30" Hg VAC	H0205	H1205	H1805	H2005	H4205	H4805	H6005
30" Hg VAC to 30 psi	H0212	H1212	H1812	H2012	H4212	H4812	H6012
30" Hg VAC to 60 psi	H0214	H1214	H1814	H2014	H4214	H4814	H6014
30" Hg VAC to 150 psi	H0218	H1218	H1818	H2018	H4218	H4818	H6018
30" Hg VAC to 300 psi	H0224	H1224	H1824	H2024	H4224	H4824	H6024
0 to 15 psi	H0240						
0 to 30 psi	H0242	H1242	H1842	H2042	H4242	H4842	H6042
0 to 60 psi	H0246	H1246	H1846	H2046	H4246	H4846	H6046
0 to 100 psi	H0248	H1248	H1848	H2048	H4248	H4848	H6048
0 to 160 psi	H0252	H1252	H1852	H2052	H4252	H4852	H6052
0 to 200 psi	H0254	H1254	H1854	H2054	H4254	H4854	H6054
0 to 300 psi	H0258	H1258	H1858	H2058	H4258	H4858	H6058
0 to 400 psi	H0260	H1260	H1860	H2060	H4260	H4860	H6060
0 to 600 psi	H0264	H1264	H1864	H2064	H4264	H4864	H6064
0 to 1,000 psi	H0272	H1272	H1872	H2072	H4272	H4872	H6072
0 to 1,500 psi	H0274	H1274	H1874	H2074		H4874	
0 to 2,000 psi	H0276	H1276	H1876	H2076		H4876	
0 to 3,000 psi	H0278	H1278	H1878	H2078		H4878	
0 to 4,000 psi	H0280	H1280	H1880	H2080			
0 to 5,000 psi	H0282	H1282	H1882	H2082		H4882	
0 to 6,000 psi	H0284	H1284	H1884	H2084			
0 to 10,000 psi	H0290	H1290	H1890	H2090		H4890	
0 to 15,000 psi	H0292	H1292	H1892	H2092			
0 to 20,000 psi	H0294	H1294	H1894	H2094			

NOTE: Items are available on special order. However, minimums and lead times apply. Consult factory.

QUALITY GAUGE OPTIONS

OPTION	TYPE	SUFFIX	AVAILABLE ON MODELS
Restrictors	Add restrictor	H	All ranges
Catalog Dials	bar only	L1	See Marsh Price List for minimum
	kg/cm ² only	L2	
	kPa only	L3	
	MPa only	L4	
	psi & bar	W1	
	psi & kg/cm ²	W2	
	psi & kPa	W3	
	psi & MPa	W4	
Custom Dials	Logo or Custom Face	M	All models - consult factory
Window	Acrylic (AY)	F2	3½" - 4½"
	Safety Glass (SG)	F3	3½" - 4½"
Increased Accuracy	Grade 1A: ±1% full scale	B	All models
Cases	Aluminum Back Flange	J	4½" - 6" consult factory
	Steel Hinged Ring Case	J	6" consult factory

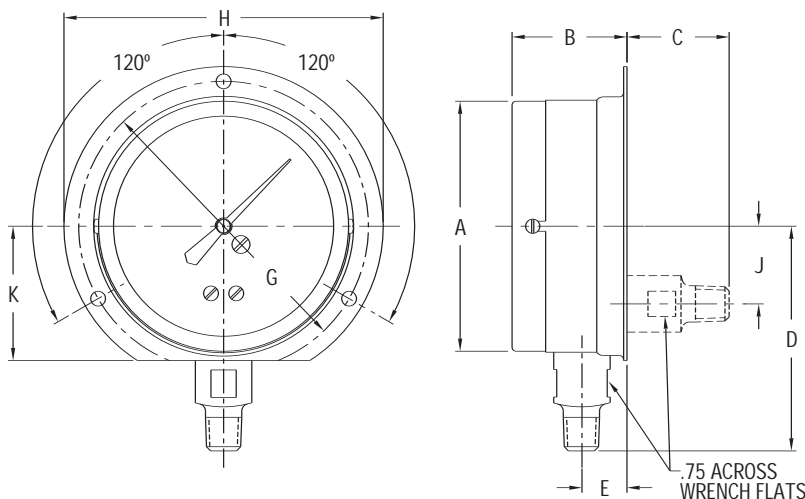
CASE PATTERNS & DIMENSIONS



Size	A	B	C	H	J	L	M	N	Q
3½"	4.86	1.66	1.55	3.75	1.16	3.75	.11	2.81	4.25
4½"	6.31	1.39	2.15	4.81	1.27	4.88	.11	3.88	5.31

QUALITY GAUGES

Dial Divisions	Quality Gauge 2/1/2% of Span			
Ranges	Figure Intervals	Minor Gradua- tions		
Vacuum	3	0.2		
COMPOUND				
30" Hg VAC to 15 psi	5	3	0.5	0.2
30" Hg VAC to 30 psi	10	5	1	0.5
30" Hg VAC to 60 psi	10	10	1	0.5
30" Hg VAC to 150 psi	30	30	2	1
30" Hg VAC to 300 psi	30	30	5	2
PRESSURE				
0 to 15 psi	1	0.1		
0 to 30 psi	5	0.2		
0 to 60 psi	5	0.5		
0 to 100 psi	10	1		
0 to 160 psi	20	1		
0 to 200 psi	20	2		
0 to 300 psi	50	2		
0 to 400 psi	50	2		
0 to 600 psi	50	5		
HIGH PRESSURE				
0 to 1,000 psi	100	10		
0 to 1,500 psi	300	20		
0 to 2,000 psi	200	20		
0 to 3,000 psi	500	20		
0 to 4,000 psi	500	50		
0 to 5,000 psi	500	50		
0 to 6,000 psi	1,000	50		
0 to 10,000 psi	1,000	100		
0 to 15,000 psi	3,000	200		
0 to 20,000 psi	2,000	200		



Size	A	B	C	D	E	G	J	K	Panel Mounting
3½"	3.72	1.69	1.55	3.34	.67	4.31	1.16	2.00	.22

TEST GAUGE +/- 0.5%

- Adjustable Micrometer Knife-Edge Pointer with Mirror Dial
- Stainless Steel Movement
- Dial Size: 4 1/2"
- Ranges to 10,000 psi

The Marsh Test Gauge is designed with a 304 stainless steel housing and the choice of copper alloy or 316 stainless steel tube and socket to meet the demanding service needs of various test gauge applications. Accuracy is ±0.5% of full span. A highly polished integral mirror is positioned between the two graduation arcs on the dial face. The knife-edge pointer is reflective so that, when the pointer and its reflection are in alignment, parallax is virtually eliminated and a true dial reading is assured.

Typical applications include test stands, aviation ground support, petroleum chemical, utilities, industrial vessels and panel builder.

STANDARD RANGES & PART NUMBERS



SPECIFICATIONS

ACCURACY

ASME Grade 2A - ±0.5% of range across full scale

CASE SIZE

4 1/2" diameter

CASE MATERIAL

Steel, Black Painted

CASE STYLE

F - Front Flanged with U-clamp and hinged ring (LBM)

P - Plain Case Lower Mount (LM)

TUBE & SOCKET

Copper alloy or 316 Stainless Steel

MOVEMENT

Stainless Steel

CONNECTION

1/4" or 1/2" NPT

RANGES

0 to 30" Hg VAC; Compound 30" Hg to 60 psi; 15 to 10,000 psi

DIAL STANDARD

single scale psi

DIAL COLOR

Black markings on white aluminum with mirror dial to avoid parallax

POINTER

Knife-edge micrometer Aluminum, black painted

WINDOW

Instrument Glass

PRESSURE RELIEF

Blowout plug

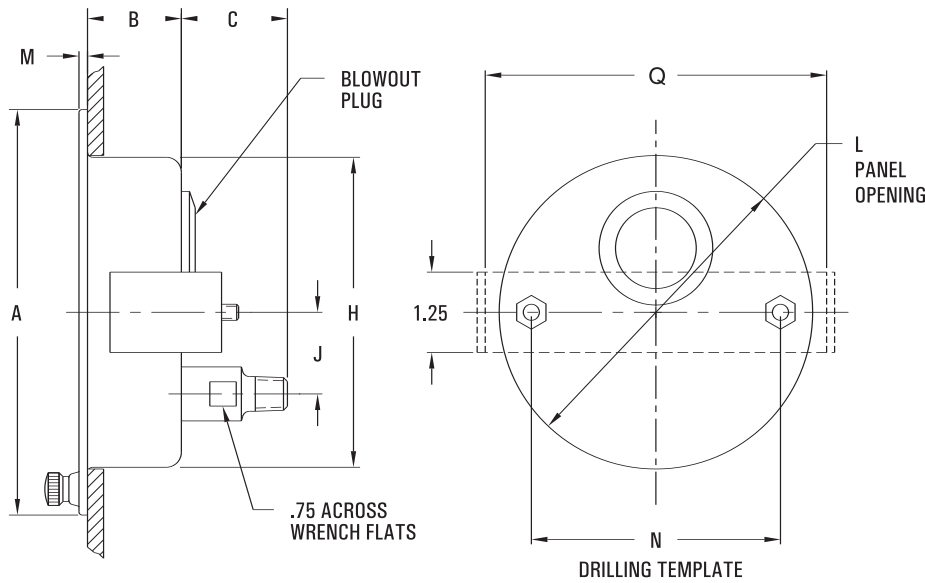
TYPE		TEST GAUGES					
Size	4 1/2"			4 1/2"			
Internals	Copper Alloy			Stainless Steel			
Case Material	Steel	Steel	Steel	Steel	Steel	Steel	Steel
Mounting	LM	LM	LBM	LM	LM	LBM	LBM
Case Style	P	P	F	P	P	F	F
Connection	1/4" NPT	1/2" NPT	1/4" NPT	1/4" NPT	1/2" NPT	1/4" NPT	1/2" NPT
Scale Standard	psi			psi			
0 to 30" Hg VAC	D0205	D0605	D1205	D5205	D5605	D6105	D6405
30" Hg VAC to 15 psi	D0210	D0610	D1210	D5210	D5610	D6110	D6410
30" Hg VAC to 30 psi	D0212	D0612	D1212	D5212	D5612	D6112	D6412
30" Hg VAC to 60 psi	D0214	D0614	D1214	D5214	D5614	D6114	D6414
0 to 15 psi	D0240	D0640	D1240	D5240	D5640	D6140	D6440
0 to 30 psi	D0242	D0642	D1242	D5242	D5642	D6142	D6442
0 to 60 psi	D0246	D0646	D1246	D5246	D5646	D6146	D6446
0 to 100 psi	D0248	D0648	D1248	D5248	D5648	D6148	D6448
0 to 160 psi	D0252	D0652	D1252	D5252	D5652	D6152	D6452
0 to 200 psi	D0254	D0654	D1254	D5254	D5654	D6154	D6454
0 to 300 psi	D0258	D0658	D1258	D5258	D5658	D6158	D6458
0 to 400 psi	D0260	D0660	D1260	D5260	D5660	D6160	D6460
0 to 600 psi	D0264	D0664	D1264	D5264	D5664	D6164	D6464
0 to 1,000 psi				D5272	D5672	D6172	D6472
0 to 1,500 psi				D5274	D5674	D6174	D6474
0 to 2,000 psi				D5276	D5676	D6176	D6476
0 to 3,000 psi				D5278	D5678	D6178	D6478
0 to 5,000 psi				D5282	D5682	D6182	D6482
0 to 10,000 psi				D5290	D5690	D6190	D6490

TEST GAUGE OPTIONS

OPTION	TYPE	SUFFIX	AVAILABLE ON MODELS
Restrictors	Add restrictor	H	All ranges
Catalog Dials	bar only	L1	See Marsh Price List for minimum
	kg/cm ² only	L2	
	kPa only	L3	
	MPa only	L4	
	psi & bar	W1	
	psi & kg/cm ²	W2	
	psi & kPa	W3	
	psi & MPa	W4	
Custom Dials	Logo or Custom Face	M	All models - consult factory
Window	Acrylic (AY)	F2	4½"
	Safety Glass (SG)	F3	4½"
Cases	4½" Polypropylene (TR)	J1	Consult Factory
	4½" Aluminum Back Flange	J2	
	4½" Aluminum Front Flange	J3	



CASE PATTERNS & DIMENSIONS



Size	A	B	C	H	J	L	M	N	Q
4½"	6.31	1.39	2.31	4.81	1.27	4.88	.11	3.88	5.31

Dial Divisions	Test Gauge 0.50% of Span			
Ranges	Figure Intervals	Minor Gradua- tions		
Vacuum	2	0.1		
COMPOUND				
30" Hg VAC to 15 psi	5	3	0.2	0.1
30" Hg VAC to 30 psi	10	5	0.5	0.1
30" Hg VAC to 60 psi	10	5	1	0.2
30" Hg VAC to 150 psi	30	10	2	0.5
30" Hg VAC to 300 psi	30	30	5	1
PRESSURE				
0 to 15 psi	1	0.5		
0 to 30 psi	2	0.1		
0 to 60 psi	5	0.2		
0 to 100 psi	10	0.5		
0 to 160 psi	10	0.5		
0 to 200 psi	20	1		
0 to 300 psi	50	1		
0 to 400 psi	50	2		
0 to 600 psi	50	2		
HIGH PRESSURE				
0 to 1,000 psi	100	5		
0 to 1,500 psi	100	5		
0 to 2,000 psi	200	10		
0 to 3,000 psi	500	10		
0 to 4,000 psi	500	20		
0 to 5,000 psi	500	20		
0 to 6,000 psi	500	20		
0 to 10,000 psi	1,000	50		

MASTER TEST GAUGE (SERIES 'D')

- Knife-Edge Pointer with Mirror Dial
- External Dial Adjustment
- Dial Size: 6"
- Ranges to 10,000 psi

Marsh Master Test Gauges are used in precision laboratory applications and industrial environments where precise accuracy is demanded. For pressure readings to 10,000 psi, Marsh Master Test Gauges offer dependable, consistent accuracy within $\pm 0.25\%$ of span, meeting all requirements of ASME Grade 3A specifications. The pressure relieving blowout plug provide the increased safety required for potentially dangerous applications.

Typical applications include labs, universities, automotive testing, government test facilities, pharmaceutical and processes.

STANDARD RANGES & PART NUMBERS

TYPE		MASTER TEST GAUGES	
Size	6" (160mm)		
Case Material	Stainless Steel		
Internals	Copper Alloy		
Mounting / Case Style	LM	LM	
Connection	1/4" NPT	1/2" NPT	
Scale Standard	psi	psi	
0 to 30" Hg VAC	D31405		
30" Hg VAC to 15 psi	D31410		
30" Hg VAC to 30 psi	D31412		
30" Hg VAC to 60 psi	D31414		
0 to 15 psi	D31440		
0 to 30 psi	D31442		
0 to 60 psi	D31446		
0 to 100 psi	D31448		
0 to 160 psi	D31452		
0 to 200 psi	D31454		
0 to 300 psi	D31458		
0 to 400 psi	D31460		
0 to 600 psi	D31464		
0 to 1,000 psi			D31472
0 to 1,500 psi			D31474
0 to 2,000 psi			D31476
0 to 3,000 psi			D31478
0 to 5,000 psi			D31482
0 to 10,000 psi			D31490

MASTER TEST GAUGE OPTIONS

OPTION	TYPE	SUFFIX	AVAILABLE ON MODELS
Catalog Dials	bar only	L1	Consult Factory
	kg/cm ² only	L2	
	kPa only	L3	
	MPa only	L4	
	psi & bar	W1	
	psi & kg/cm ²	W2	
	psi & kPa	W3	
	psi & MPa	W4	
Custom Dials	Logo or Custom Face	M	
Window	Acrylic (AY)	F2	
	Safety Glass (SG)	F3	
Tube & Socket	Stainless Steel		



SPECIFICATIONS

ACCURACY

ASME Grade 3A – $\pm 0.25\%$ of range across full scale

CASE SIZE

6" (160mm) diameter

CASE MATERIAL

304 Stainless Steel

CASE STYLE

LM—Lower Mount

TUBE & SOCKET

Copper alloy

MOVEMENT

Stainless Steel

CONNECTION

1/4" NPT through 600 psi

1/2" NPT 1000 psi & above

RANGES

0 to 30" Hg VAC; Compound 30" Hg to 60 psi; 15 to 10,000 psi

DIAL STANDARD

Single scale psi

DIAL COLOR

Black markings on white aluminum with mirror dial to avoid parallax

POINTER

Knife-edge Aluminum, black painted

WINDOW

Instrument Glass

PRESSURE RELIEF

Blowout plug



INSPECTOR'S TEST GAUGE

- 3" Dial
- Vacuum to 1,000 psi Range
- Recalibrator on Dial Face
- ASME Grade 2A Accuracy

Marsh Inspector's Test Gauges are specifically designed for use by steam boiler, air brake and pressure system inspectors. The rugged 3" Inspector's Test Gauge features a nickel-plated case and an accuracy of $\pm 0.5\%$ of span. The bushed Mastergauge movement with Recalibrator is standard for these gauges. Mating parts are of dissimilar metals to prevent seizing. Bearing sleeves are of bronze, and the sector is brass.

Typical applications include steam boiler, air brakes, pressure system inspectors, and for use on other testing applications.

STANDARD RANGES & PART NUMBERS

INSPECTOR'S TEST GAUGES	
Size	3"
Case Material	Nickel Plated Brass
Internals	Copper Alloy
Mounting / Case Style	LM
Connection	1/4" NPT
Scale Standard	psi/kPa
0 to 30" Hg VAC	D1505
0 to 15 psi	D1540
0 to 30 psi	D1542
0 to 60 psi	D1546
0 to 100 psi	D1548
0 to 160 psi	D1552
0 to 200 psi	D1554
0 to 300 psi	D1558
0 to 600 psi	D1564
0 to 1,000 psi	D1572

INSPECTOR'S TEST GAUGE OPTIONS

OPTION	TYPE	SUFFIX	AVAILABLE ON MODELS
Restrictors	Add restrictor	H	All ranges
Catalog Dials	psi only	E	See Marsh Price List for minimum
	bar only	L1	
	kg/cm ² only	L2	
	kPa only	L3	
	MPa only	L4	
	psi & bar	W1	
	psi & kg/cm ²	W2	
	psi & MPa	W4	
Custom Dials	Logo or Custom Face	M	All models - consult factory



SPECIFICATIONS

ACCURACY
ASME Grade 2A - $\pm 0.5\%$ of span across full scale

CASE SIZES
3" diameter

CASE MATERIAL
Brass, Nickel Plated

CASE STYLE
Lower Mount with threaded ring

TUBE & SOCKET
Copper alloy

MOVEMENT
Brass

RECALIBRATOR
Standard

CONNECTION
1/4" NPT

RANGES
0 to 30" Hg VAC; 15 to 1,000 psi

DIAL STANDARD
Dual Scale psi/kPa

DIAL COLOR
Black markings on white

POINTER
Knife-edge, Aluminum, black painted

WINDOW
Beveled glass

PROTECTIVE COVER
Opaque plastic lens cover



PROCESS GAUGES

- 4½" and 6" Dials
- 4 Safecase Designs
- Pressure Ranges Vacuum to 20,000 psi
- Dry or Liquid Filled
- Micrometer Pointer

Marsh Process Gauges are first in performance. With over 125 years of proven experience, Marsh offers the most complete line of process instrumentation in the industry. An extensive list of designs and options makes the Marsh line of Process Gauges the intelligent and practical choice in process instrumentation. All case styles feature safe-case solid-front construction.

Typical applications include chemical and petroleum chemical processes, compressors, power plants and platforms.

STANDARD RANGES & PART NUMBERS

PROCESS GAUGES						
TYPE	4½"				4"	
Size						
Case Material	Polypropylene				Polypropylene	
Internals	Copper Alloy				Stainless Steel	
Mounting	LM	LBM	LM	LBM	LM	LBM
Case Style	T	T	T	T	T	T
Connection	¼" NPT	¼" NPT	½" NPT	½" NPT	¼" NPT	¼" NPT
Scale Standard	psi	psi	psi	psi	psi	psi
0 to 30" Hg VAC	P0105	P0205	P0505	P0605	P5105	P5205
30" Hg VAC to 15 psi	P0110	P0210	P0510	P0610	P5110	P5210
30" Hg VAC to 30 psi	P0112	P0212	P0512	P0612	P5112	P5212
30" Hg VAC to 60 psi	P0114	P0214		P0614	P5114	P5214
30" Hg VAC to 100 psi	P0116	P0216	P0516	P0616	P5116	P5216
30" Hg VAC to 200 psi	P0120	P0220	P0520	P0620	P5120	P5220
30" Hg VAC to 300 psi	P0124	P0224	P0524	P0624	P5124	P5224
0 to 15 psi	P0140	P0240	P0540	P0640	P5140	P5240
0 to 30 psi	P0142	P0242	P0542	P0642	P5142	P5242
0 to 60 psi	P0146	P0246	P0546	P0646	P5146	P5246
0 to 100 psi	P0148	P0248	P0548	P0648	P5148	P5248
0 to 160 psi	P0152	P0252	P0552	P0652	P5152	P5252
0 to 200 psi	P0154	P0254	P0554	P0654	P5154	P5254
0 to 300 psi	P0158	P0258	P0558	P0658	P5158	P5258
0 to 400 psi	P0160	P0260	P0560	P0660	P5160	P5260
0 to 600 psi	P0164	P0264	P0564	P0664	P5164	P5264
0 to 1,000 psi	P0168	P0268	P0568	P0668	P5168	P5268
0 to 1,500 psi			P0574		P5174	P5274
0 to 2,000 psi			P0576		P5176	P5276
0 to 3,000 psi			P0578		P5178	P5278
0 to 5,000 psi			P0582		P5182	P5282
0 to 10,000 psi			P0590		P5190	P5290
0 to 15,000 psi					P5192	P5292
0 to 20,000 psi					P5194	P5294

Add "P" Suffix to P/N for Liquid Filling with Glycerine, add "PI" for Silicone.

NOTE: Lower back mount gauges are not fillable

NOTE: Items are available on special order. However, minimums and lead times apply. Consult factory.



SPECIFICATIONS

- ACCURACY**
ASME Grade 2A – ±0.5% of full scale
- CASE SIZES**
4½" and 6" diameter
- CASE MATERIAL**
Safecase polypropylene (turret style only) & safecase aluminum
- CASE STYLE**
4½": G – Back flanged case (aluminum)
H – Front flange hinged ring (aluminum)
T – Turret (polypropylene)
6": G – Back flanged case
- TUBE & SOCKET**
Copper alloy or 316 stainless steel
- MOVEMENT**
Stainless Steel
- CONNECTION**
¼" or ½" NPT
LM – Lower Mount
LBM – Lower Back Mount
- RANGES**
0 to 30" Hg VAC; Compound 30" Hg VAC to 300 psi; 15 to 20,000 psi
- DIAL STANDARD**
Single Scale psi
- DIAL COLOR**
Black markings on white
- POINTER**
Aluminum Adjustable Micrometer, black painted
- WINDOW**
Acrylic
- FILL MEDIUM**
Dry or filled. Note: ALL 4½" lower mount Process Gauges are field-fillable. Optional factory filled glycerin or silicone
- SAFECASE**
Safecase construction standard on all Process Gauges
- VENT**
Internal compensating diaphragm



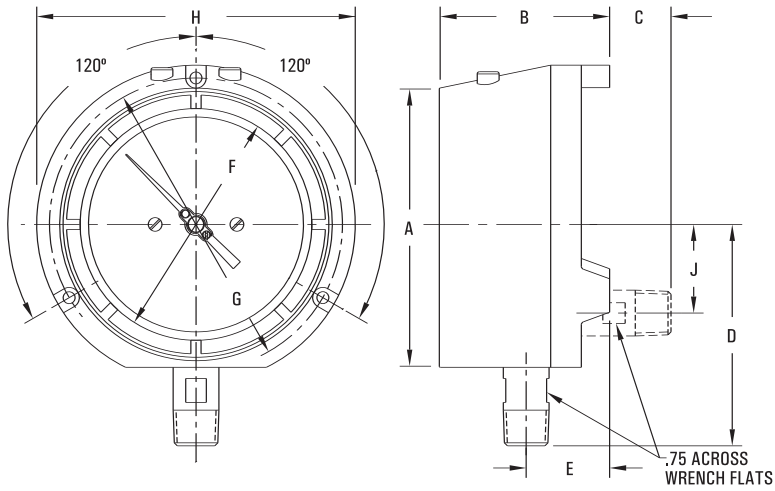
PROCESS GAUGES - STANDARD RANGES & PART NUMBERS										
TYPE	4 1/2"				4 1/2"				4 1/2"	
Size	4 1/2"				4 1/2"				4 1/2"	
Case Material	Polypropylene				Aluminum				Aluminum	
Internals	Stainless Steel				Copper Alloy				Stainless Steel	
Mounting	LM	LBM	LM	LM	LBM	LBM	LBM	LBM	LM	LM
Case Style	T	T	G	G	G	G	H	H	G	G
Connection	1/2" NPT	1/2" NPT	1/4" NPT	1/4" NPT	1/4" NPT	1/2" NPT	1/4" NPT	1/2" NPT	1/4" NPT	1/2" NPT
Scale Standard	psi	psi	psi	psi	psi	psi	psi	psi	psi	psi
0 to 30" Hg VAC	P5605	P5705	P10005	P10505	P11005	P11505	P16005	P16505	P14005	P14505
30" Hg VAC to 15 psi	P5610	P5710	P10010	P10510	P11010	P11510	P16010	P16510	P14010	P14510
30" Hg VAC to 30 psi	P5612	P5712	P10012	P10512	P11012	P11512	P16012	P16512	P14012	P14512
30" Hg VAC to 60 psi	P5614	P5714	P10014	P10514	P11014	P11514	P16014	P16514	P14014	P14514
30" Hg VAC to 100 psi	P5616	P5716	P10016	P10516	P11016	P11516	P16016	P16516	P14016	P14516
30" Hg VAC to 200 psi	P5620	P5720	P10020	P10520	P11020	P11520	P16020	P16520		
30" Hg VAC to 300 psi	P5624	P5724	P10024	P10524	P11024	P11524	P16024	P16524		
0 to 15 psi	P5640	P5740	P10040	P10540	P11040	P11540	P16040	P16540	P14040	P14540
0 to 30 psi	P5642	P5742	P10042	P10542	P11042	P11542	P16042	P16542	P14042	P14542
0 to 60 psi	P5646	P5746	P10046	P10546	P11046	P11546	P16046	P16546	P14046	P14546
0 to 100 psi	P5648	P5748	P10048	P10548	P11048	P11548	P16048	P16548	P14048	P14548
0 to 160 psi	P5652	P5752	P10052	P10552	P11052	P11552	P16052	P16552	P14052	P14552
0 to 200 psi	P5654	P5754	P10054	P10554	P11054	P11554	P16054	P16554	P14054	P14554
0 to 300 psi	P5658	P5758	P10058	P10558	P11058	P11558	P16058	P16558	P14058	P14558
0 to 400 psi	P5660	P5760	P10060	P10560	P11060	P11560	P16060	P16560	P14060	P14560
0 to 600 psi	P5664	P5764	P10064	P10564	P11064	P11564	P16064	P16564	P14064	P14564
0 to 1,000 psi	P5668	P5768	P10068	P10568	P11068	P11568	P16068	P16568	P14068	P14568
0 to 1,500 psi	P5674	P5774								P14574
0 to 2,000 psi	P5676	P5776								P14576
0 to 3,000 psi	P5678	P5778								P14578
0 to 5,000 psi	P5682	P5782								P14582
0 to 10,000 psi	P5690	P5790								P14590
0 to 15,000 psi	P5692	P5792								P14592
0 to 20,000 psi	P5694	P5794								P14594

Size	4 1/2"				6"				6"			
Case Material	Aluminum				Aluminum				Aluminum			
Internals	Stainless Steel				Copper Alloy				Stainless Steel			
Mounting	LBM	LBM	LBM	LBM	LM	LM	LBM	LBM	LM	LM	LBM	LBM
Case Style	G	G	H	H	G	G	G	G	G	G	G	G
Connection	1/4" NPT	1/2" NPT	1/4" NPT	1/2" NPT	1/4" NPT	1/2" NPT	1/4" NPT	1/2" NPT	1/4" NPT	1/2" NPT	1/4" NPT	1/2" NPT
Scale Standard	psi	psi	psi	psi	psi	psi	psi	psi	psi	psi	psi	psi
0 to 30" Hg VAC	P15005	P15505	P18005	P18505	P20005	P20505	P21005	P21505	P24005	P24505	P25005	P25505
30" Hg VAC to 15 psi	P15010	P15510	P18010	P18510	P20010	P20510	P21010	P21510	P24010		P25010	P25510
30" Hg VAC to 30 psi	P15012	P15512	P18012	P18512	P20012	P20512	P21012	P21512	P24012	P24512	P25012	P25512
30" Hg VAC to 60 psi	P15014	P15514	P18014	P18514	P20014	P20514	P21014	P21514	P24014	P24514	P25014	P25514
30" Hg VAC to 100 psi	P15016	P15516	P18016	P18516	P20016	P20516	P21016	P21516	P24016	P24516	P25016	P25516
30" Hg VAC to 200 psi	P15020	P15520	P18020	P18520								
30" Hg VAC to 300 psi	P15024	P15524	P18024	P18524								
0 to 15 psi	P15040	P15540	P18040	P18540	P20040	P20540	P21040	P21540	P24040	P24540	P25040	P25540
0 to 30 psi	P15042	P15542	P18042	P18542	P20042	P20542	P21042	P21542	P24042	P24542	P25042	P25542
0 to 60 psi	P15046	P15546	P18046	P18546	P20046	P20546	P21046	P21546	P24046	P24546	P25046	P25546
0 to 100 psi	P15048	P15548	P18048	P18548	P20048	P20548	P21048	P21548	P24048	P24548	P25048	P25548
0 to 160 psi	P15052	P15552	P18052	P18552	P20052	P20552	P21052	P21552	P24052	P24552	P25052	P25552
0 to 200 psi	P15054	P15554	P18054	P18554	P20054	P20554	P21054	P21554	P24054	P24554	P25054	P25554
0 to 300 psi	P15058	P15558	P18058	P18558	P20058	P20558	P21058	P21558	P24058	P24558	P25058	P25558
0 to 400 psi	P15060	P15560	P18060	P18560	P20060	P20560	P21060	P21560	P24060	P24560	P25060	P25560
0 to 600 psi	P15064	P15564	P18064	P18564	P20064	P20564	P21064	P21564	P24064	P24564	P25064	P25564
0 to 1,000 psi	P15068	P15568	P18068	P18568	P20068	P20568	P21068	P21568	P24068	P24568	P25068	P25568
0 to 1,500 psi	P15074	P15574	P18074	P18574					P24074	P24574	P25074	P25574
0 to 2,000 psi	P15076	P15576	P18076	P18576					P24076	P24576	P25076	P25576
0 to 3,000 psi	P15078	P15578	P18078	P18578					P24078	P24578	P25078	P25578
0 to 5,000 psi	P15082	P15582	P18082	P18582					P24082	P24582	P25082	P25582
0 to 10,000 psi	P15090	P15590	P18090	P18590					P24090	P24590	P25090	P25590
0 to 15,000 psi	P15092	P15592	P18092	P18592					P24092	P24592	P25092	P25592
0 to 20,000 psi	P15094	P15594	P18094	P18594					P24094	P24594	P25094	P25594

Process Gauges



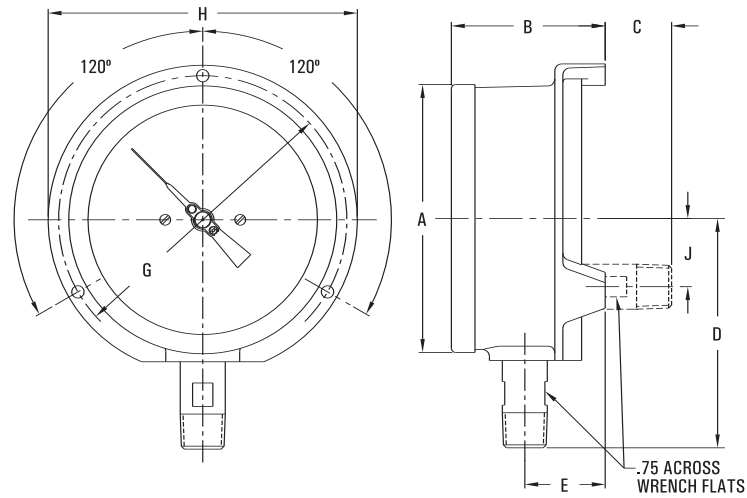
TURRET CASE



Turret Panel Mounting Holes 0.22	Size	A	B	C	D	E	F	G	H	J
	4 1/2"	5.00	3.13	1.13	4.28	1.53	4.13	5.38	5.85	1.27



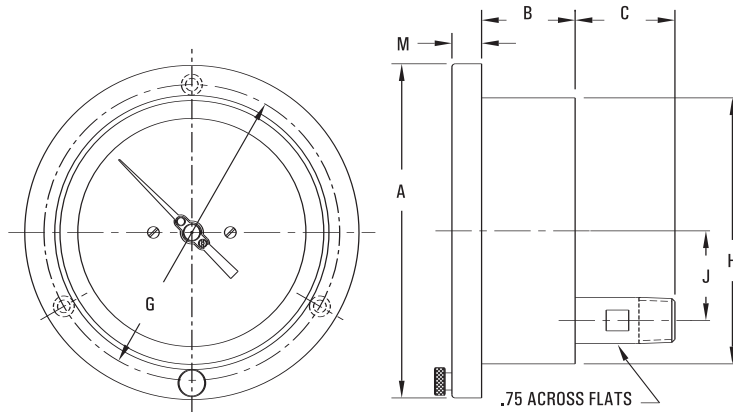
BACK FLANGE CASE



Back Flanged	Size	A	B	C	D	E	G	H	J	23
	4 1/2"	4.94	2.88	1.19	4.28	1.50	5.38	5.78	1.27	.23
	6"	6.63	2.88	1.19	4.97	1.50	7.00	7.50	1.27	.28



FRONT FLANGE CASE



Front Flanged Panel Mounting Holes 0.23	Size	A	B	C	G	H	J	M
	4 1/2"	6.08	1.70	1.88	5.38	4.88	1.27	0.54

PROCESS GAUGE OPTIONS

OPTION	TYPE	SUFFIX	AVAILABLE ON MODELS
Restrictors	Add restrictor	H	All ranges
Fill Medium	Glycerine (GL)	P	4½" Lower Mount only (all ranges)
	Silicone (SL)	PI	4½" Lower Mount only (all ranges)
Catalog Dials	bar only	L1	See Marsh Price List for minimum
	kg/cm² only	L2	
	kPa only	L3	
	MPa only	L4	
	psi & bar	W1	
	psi & kg/cm²	W2	
	psi & kPa	W3	
Window	Instrument Glass (GS)	F1	4½" & 6"
	Safety Glass (SG)	F3	4½" & 6"
Cases	Phenolic Turret (PH)	J1	4½"
	4½" Steel Case (LM or LBM)	J	4½" (Adjustable pointer only)
	6" Hinged Ring Steel Case with U-Clamp	J	6" (Adjustable pointer only)
Custom Dials	Logo or Custom Face	M	Consult factory for colors and minimums.

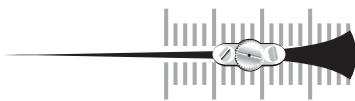
NOTE: 4½" Lower back mount, 6" Lower mount and 6" Lower back are not fillable (only available dry).



Dial Divisions	Process Gauge Series "P" 0.5% of Span			
Ranges	Figure Intervals	Minor Graduations		
Vacuum	3	0.2		
COMPOUND				
30" Hg VAC to 15 psi	5	3	0.5	0.2
30" Hg VAC to 30 psi	10	5	1	0.5
30" Hg VAC to 60 psi	10	10	1	0.5
30" Hg VAC to 150 psi	30	30	2	1
30" Hg VAC to 300 psi	30	30	5	2
PRESSURE				
0 to 15 psi	1	0.1		
0 to 30 psi	5	0.2		
0 to 60 psi	5	0.5		
0 to 100 psi	10	1		
0 to 160 psi	20	1		
0 to 200 psi	20	2		
0 to 300 psi	50	2		
0 to 400 psi	50	2		
0 to 600 psi	50	5		
HIGH PRESSURE				
0 to 1,000 psi	100	10		
0 to 1,500 psi	300	10		
0 to 2,000 psi	200	20		
0 to 3,000 psi	500	20		
0 to 4,000 psi	500	20		
0 to 5,000 psi	500	50		
0 to 6,000 psi	1,000	50		
0 to 10,000 psi	1,000	100		
0 to 15,000 psi	3,000	100		
0 to 20,000 psi	2,000	200		



Diaphragm



DIAPHRAGM GAUGES

- Dial Sizes: 2½", 3½", 4½"
- Four Case Styles
- Accuracy: ASME B40.1 - 2/1/2%

Marsh Instruments Low Pressure Diaphragm Gauges are universally known for their dependable performance and accuracy. Incorporating a unique design feature, the diaphragm element allows accurate low pressure readings in a variety of applications. Featuring a bronze diaphragm element, the gauge is capable of ASME Grade A-1% accuracy for ranges above 30" of water. Ranges are available in vacuum and pressure in inches of water, ounces per square inch and millimeters of mercury.

Typical applications include HVAC systems and low pressure gas burner systems.

SPECIFICATIONS

ACCURACY

For ranges 30" H₂O & above: ASME Grade A = ±2/1/2% (±1% of range across middle half of scale). For ranges below 30" H₂O: ±3/1/3% (±1% of range across middle half of scale)

CASE SIZES

2½", 3½", 4½" diameter

CASE MATERIAL

Steel, black painted

CASE STYLE

CB – Center Back Mount

FF – Three-holed Front Flanged Mount

LM – Lower Mount

UC – U-Clamp Mount

DIAPHRAGM & SOCKET

Phosphor bronze diaphragm soft-soldered to brass socket

MOVEMENT

Brass sector and pinion with polycarbonate top & bottom plates

CONNECTION

¼" & ½" NPT

DIAL STANDARD

Dual Scale with kPa

Triple Scale: oz/in², in H₂O, & kPa

DIAL COLOR

Black markings on white

POINTER

Aluminum, black painted

WINDOW

2½" & 3½": twist-in Clearlok acrylic

4½": flat acrylic with steel friction ring

RESTRICTOR

0.013" standard. No restrictor on 0 to 10" H₂O range

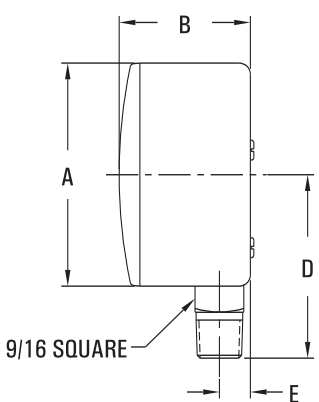
STANDARD RANGES & PART NUMBERS

DIAPHRAGM GAUGES									
TYPE	2½"							3½"	4½"
Size	2½"							3½"	4½"
Case Material	Steel							Steel	
Internal	Copper Alloy							Copper Alloy	
Mounting/Case	LM	LM	U	U	CB	CB	FF	LM	LM
Connection	¼" NPT	½" NPT	¼" NPT	½" NPT	¼" NPT	½" NPT	¼" NPT	¼" NPT	¼" NPT
0 to 10" H ₂ O	G22675	G22711	G11181	G11248	G22747	G27110	G11578	G24608	G25756
0 to 15" H ₂ O	G24500	G24503	G11246	G11313	G26504	G30237	G11642	G24631	G25981
0 to 30" H ₂ O	G22704	G22740	G11189	G11256	G22776	G11652	G11586	G24625	G25749
0 to 60" H ₂ O	G22705	G22741	G11208	G11314	G22777	G11671	G11605	G24626	G25844
0 to 100" H ₂ O	G22687	G22723	G11217	G11284	G22759	G11675	G11609	G24613	G25982
0 to 160" H ₂ O	G22695	G22731	G11232	G11299	G22767	G11695	G11628	G24617	G25980
0 to 200" H ₂ O	G22696	G22732	G11233	G11300	G22768	G11696	G33412	G24618	G26021
0 to 300" H ₂ O	G22697	G22733	G11236	G11303	G22769	G11699	G33413	G24619	G25755
0 to 3 psi	G22685	G22721	G11215	G11282	G22757	G11678	G11612	G24612	G33414
0 to 5 psi	G22702	G22738	G10623	G11310	G22774	G22810	G10619	G24624	G26018
0 to 10 psi	G22699	G22735	G11239	G11306	G22771	G11702	G11635	G24621	G25754
0 to 10 oz/in ²	G22677	G22713	G11186	G11253	G22749	G11649	G11583	G24609	G33415
0 to 15 oz/in ²	G22680	G22716	G11194	G11261	G22752	G11657	G11591	G24610	G25753
0 to 30 oz/in ²	G24501	G33404	G11206	G11273	G24504	G11669	G11603	G24632	G25750
0 to 60 oz/in ²	G22684	G22720	G11213	G11280	G22756	G11676	G11610	G24611	G25757
0 to 100 oz/in ²	G22691	G22727	G11226	G11293	G22763	G33411	G11622	G24615	G26025
0 to 160 oz/in ²	G26062	G33405	G11237	G11304	G33410	G11700	G11633	G26894	G33416
8.75 oz/in ² and 15" H ₂ O	G22706	G22742	G11185	G11252	G22778	G11648	G11582	G24627	G33417
20 oz/in ² and 35" H ₂ O	G22709	G22745	G11200	G11267	G22781	G11663	G11597	G24629	G25748
32 oz/in ² and 55" H ₂ O	G22707	G22743	G11195	G11262	G22779	G11658	G11592	G24628	G25984
58 oz/in ² and 100" H ₂ O	G22710	G22746	G11214	G11281	G22782	G22947	G11611	G24630	G33418
0 to 15" H ₂ O VAC	G22912	G33406	G11873	G11906	G22942	G12104	G12071	G24708	G26023
0 to 30" H ₂ O VAC	G22914	G29804	G11876	G11909	G22944	G12107	G12074	G24709	G26020
0 to 60" H ₂ O VAC	G22918	G33407	G11884	G11917	G22948	G12115	G12082	G24710	G26016
0 to 100" H ₂ O VAC	G24502	G26962	G11885	G11918	G22949	G12116	G12083	G24716	G26019
0 to 200" H ₂ O VAC	G22921	G33409	G11892	G11925	G22951	G12123	G12090	G24711	G33420

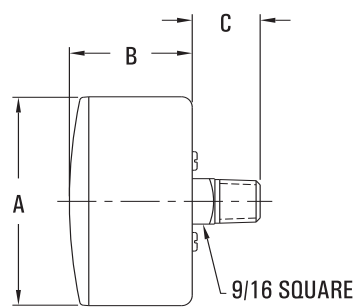
NOTE: Items are available on special order. However, minimums and lead times apply. Consult factory.



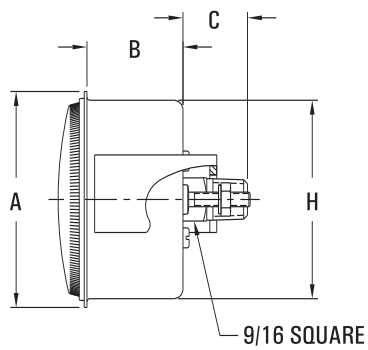
DIAPHRAGM GAUGE OPTIONS		
OPTION	TYPE	AVAILABLE ON MODELS
Window	Acrylic (knurled edge)	all models
Restrictors	0.008 Restrictor	all models
	0.016 Restrictor	
	0.018 Restrictor	
	0.025 Restrictor	
Ring	Press ring, chrome	2½" to 3½" Panel Mount
Ring / Window	Glass & Black Steel Ring	2½" to 3½" all models
Cases	Stainless Steel	2½"- Lower Mount or Panel Mount
	Brass	2½"- Lower Mount or Centerback
	Chrome plated	Lower Mount or Centerback
3½" Case	Center Back (CB)	3½"
	U-Clamp (UC)	3½"
Connections	Hose Barb (⅛" OD & ¼" OD)	All models (10 pc. minimum)
Compound Ranges	Vacuum & Pressure with front zero adjustment	All models (10 pc. minimum)
Custom Dials	Logo or custom face	Consult factory for colors and minimums.



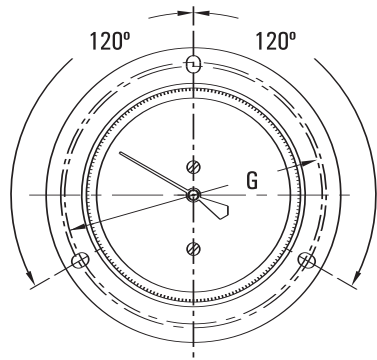
Back Flanged	SIZE	A	B	D	E
	2½"	2.63	1.50	2.19	.38
	3½"	3.69	1.59	2.72	.38
4½"	4.78	1.47	3.38	.81	



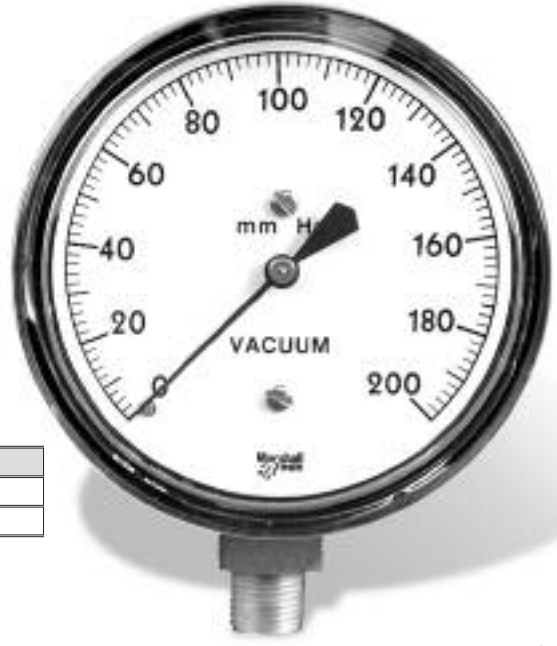
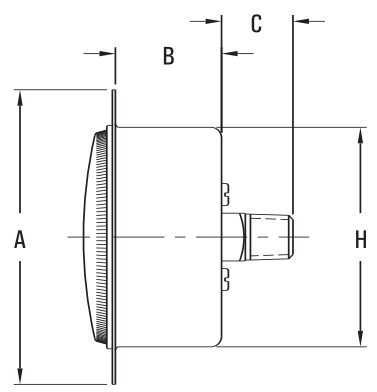
Center Back	Size	A	B	C
	2½"	2.63	1.50	.84
	3½"	3.69	1.59	.84



U-Clamp	Size	A	B	C	H
	2½"	2.81	1.25	.84	2.59
	3½"	3.98	1.69	.84	3.66



Front Flanged	size	A	B	C	G	H	Panel Mtg. Holes
	2½"	3.47	1.25	.84	3.03	2.59	.16
	3½"	4.75	1.25	.84	4.41	3.66	.22





VACUUM CLEANER TEST GAUGE

- Includes 2½" dial size gauge
- Dual Scale: in. H₂O & kPa vacuum
- Complete with rubber plug to fit vacuum cleaner intake opening

TYPE	82K
Range	Part No.
0 to 60" H ₂ O	G32426
0 to 100" H ₂ O	G24505
0 to 160" H ₂ O	G25759
0 to 200" H ₂ O	G26098



GAS PRESSURE TEST SET

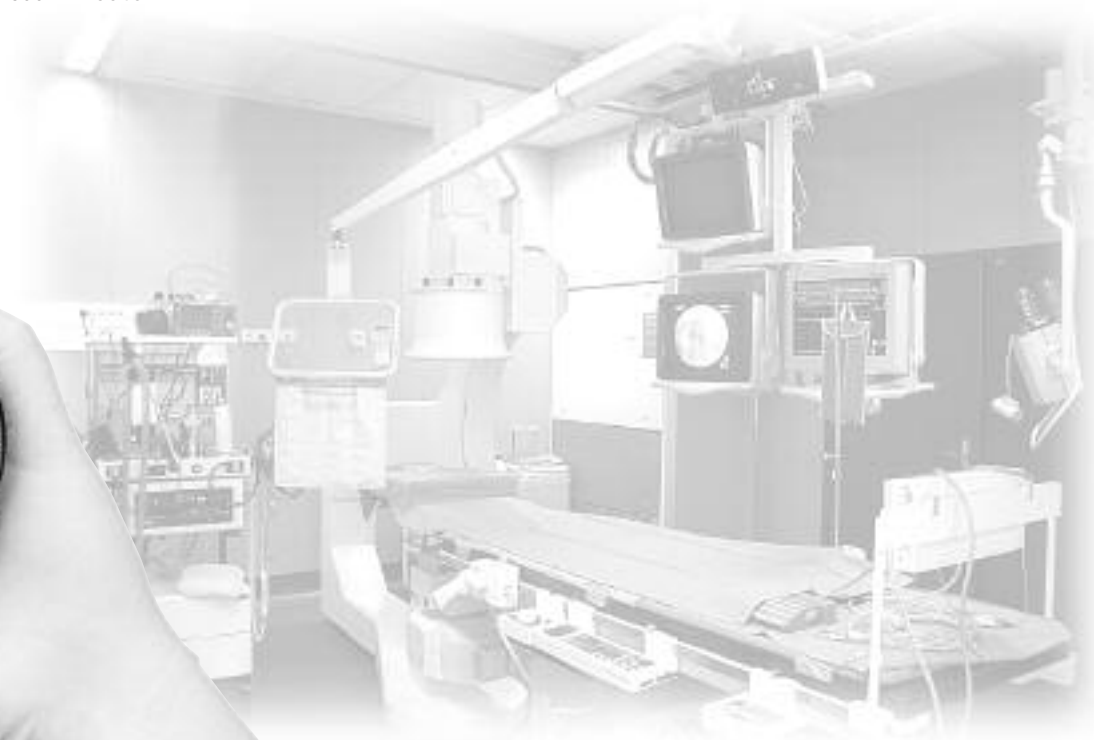
- Includes 2½" dial size gauge
- Triple Scale: Oz./in², in. H₂O & kPa
- Provided in grey polyethylene case with 3 ft. of rubber tubing

TYPE	84K	
Range		Part No.
0 to 8.75 oz/in ²	0 to 15" H ₂ O	G28145
0 to 20 oz/in ²	0 to 35" H ₂ O	G24507
0 to 58 oz/in ²	0 to 100" H ₂ O	G27038



SPECIAL MEDICAL GAUGES

Consult Factory
800-727-5646



GAS TEST GAUGE

- Hex or Bell Type mounting
- 15 to 100 Psi pressure ranges
- 2" Gauges ball steel case and brass internals

Use to pressure test all new gas installations for leaks and passing inspection codes. After installing Gas Test Gauge, the system is pressurized with air. Any leakage will be indicated by a pressure drop on the gauge. Typical applications include testing of gas and other pressure media.



STANDARD RANGES & PART NUMBERS

TYPE		GAS TEST GAUGES	
Size	2"		
Case Material	Steel		
Internals	Copper Alloy		
Connection	3/4" FPT		
Scale Standard	psi		
Mounting style	Bell Type	Hex Type	
0 to 15 psi	G33522	G33526	
0 to 30 psi	G33523	G33527	
0 to 60 psi	G33524	G33528	
0 to 100 psi	G33525	G33529	

SPECIFICATIONS

- ACCURACY**
ASME Grade $\pm 3/2/3\%$ ($\pm 2\%$ of range across middle half of scale)
- CASE SIZES**
2" diameter
- CASE MATERIAL**
Drawn Steel, black painted
- MOUNTING STYLE**
Reducing Bell or Hex Style
- HOUSING MATERIAL**
Reducing Bell: Iron, black painted
Hex Body: Steel, Zinc Dichromate Plated
- TUBE & SOCKET**
Copper alloy
- MOVEMENT**
Brass
- CONNECTION**
3/4" FPT
- RANGES**
15 to 100 psi
- DIAL STANDARD**
Single Scale psi
- DIAL COLOR**
Black markings on white
- POINTER**
Aluminum, black painted
- WINDOW**
Polycarbonate



SERVICEMAN'S TEST GAUGE

- Recalibrator and Restrictor Standard
- Heavy Duty Brass Case
- Clam Shell Packaging Optional

Marsh Instruments Deluxe Serviceman Test Gauge is designed to assure the modern serviceman the best possible gauge for testing refrigeration equipment. Corresponding, easy-to-read temperature scales are printed in red on the inner arcs of the dial face.

Typical applications include testing, servicing and recharging AC and R systems.



SPECIFICATIONS

ACCURACY

ASME Grade B - $\pm 3/2/3\%$ ($\pm 2\%$ of range across middle half of scale)

CASE SIZE

2 1/2" diameter

CASE MATERIAL

Polished brass

CASE STYLE

LM - Lower Mount

TUBE & SOCKET

Copper Alloy

MOVEMENT

Brass with recalibrator

CONNECTION

1/8" NPT

RANGES

0-500 psi, 30" Hg VAC to 120 psi retarded to 350 psi

DIAL STANDARD

psi with corresponding temperature scales

DIAL COLOR

Black markings on white with red or blue temperature scales

POINTER

Aluminum, black painted

WINDOW

Beveled glass

STANDARD RANGES & PART NUMBERS

TYPE	SERVICEMAN'S TEST GAUGE		
Size	2 1/2"	2 1/2"	
Case Material	Brass	Brass	
Internals	Copper Alloy	Copper Alloy	
Mounting/Case Style	LM	LM	
Connection	1/8" NPT	1/8" NPT	
Scale Standard	psi & temperature (°F)	psi & temperature (°F)	
30" X 350 psi	W0070	R-12, 22, 502	Carton
30" X 350 psi	W0070Q	R-12, 22, 502	Clam Shell
0 to 500 psi	W0072	R-12, 22, 502	Carton
0 to 500 psi	W0072Q	R-12, 22, 502	Clam Shell
Set of (2) W0070 & W0072	W0074	R-12, 22, 502	Carton Only
30" X 350 psi	W8070	R-134a, 404A, 507	Carton
30" X 350 psi	W8070Q	R-134a, 404A, 507	Clam Shell
0 to 500 psi	W8072	R-134a, 404A, 507	Carton
0 to 500 psi	W8072Q	R-134a, 404A, 507	Clam Shell



MANIFOLD GAUGE

- Recalibrator and Restrictor Standard
- Color Coded Cases, "Reds" & "Blues"
- Overpressure Protection to 350 psi

These gauges are designed for the pressure measurement of refrigeration systems. All dials are furnished with corresponding temperature scales for the various refrigerants. Dials feature R-12, R-22, and R-502. Standard connections are 1/8" NPT lower mount with your choice of red or blue case.

Marsh Manifold Gauges are used in refrigeration applications for testing, servicing, and recharging AC and R Systems.



STANDARD RANGES & PART NUMBERS

TYPE		MANIFOLD GAUGES				
Size	2 1/2"					
Case Material	Steel					
Internals	Copper Alloy					
Mounting/Case Style	LM					
Connection	1/8" NPT					
Scale Standard	psi & temperature (°F)					
30" X 350 psi	W0011	R-12, 22, 502	Blue Case	Carton		
30" X 350 psi	W0011Q	R-12, 22, 502	Blue Case	Clam Shell		
0 to 500 psi	W0023	R-12, 22, 502	Red Case	Carton		
0 to 500 psi	W0023Q	R-12, 22, 502	Red Case	Clam Shell		
30" X 350 psi	W8011	R-134a, 404A & 507	Blue Case	Carton		
30" X 350 psi	W8011Q	R-134a, 404A & 507	Blue Case	Clam Shell		
0 to 500 psi	W8023	R-134a, 404A & 507	Red Case	Carton		
0 to 500 psi	W8023Q	R-134a, 404A & 507	Red Case	Clam Shell		
30" X 500 psi	W8015	R-22, 407C & 410A	Blue Case	Carton		
30" X 500 psi	W8015Q	R-22, 407C & 410A	Blue Case	Clam Shell		
0 to 800 psi	W8027	R-22, 407C & 410A	Red Case	Carton		
0 to 800 psi	W8027Q	R-22, 407C & 410A	Red Case	Clam Shell		
30" X 350 psi	J7622PQ-001	R-12, 22, 502	S/S Case	Clam Shell	Liquid Filled	
0 to 500 psi	J7662PQ-001	R-12, 22, 502	S/S Case	Clam Shell	Liquid Filled	
30" X 350 psi	J7622PQ-002	R-134a, 404A & 507	S/S Case	Clam Shell	Liquid Filled	
0 to 500 psi	J7662PQ-002	R-134a, 404A & 507	S/S Case	Clam Shell	Liquid Filled	

SPECIFICATIONS

- ACCURACY**
ASME Grade B - ±3/2/3% (2% of range across middle half of scale)
- CASE SIZE**
2 1/2" diameter
- CASE MATERIAL**
Steel, red or blue painted
- TUBE & SOCKET**
Copper alloy
- MOVEMENT**
Brass with recalibrator
- CONNECTION**
1/8" NPT
- RANGES**
0-500 psi, 30" Hg VAC to 120 psi retarded to 350 psi
- DIAL STANDARD**
psi with corresponding temperature scales
- DIAL COLOR**
Black markings on white with red or blue temperature scales
- POINTER**
Aluminum, black painted
- WINDOW**
Impact resistant plastic



REFRIGERATION AMMONIA GAUGE

- Range 30" Hg to 150 psi or 300 psi
- Case Sizes: 63mm and 3½"
- ASME Grade B

Marsh Ammonia Gauges include a restrictor that protects the gauge against sudden shock or pulsating pressure. The inner dial arc shows pressure, outer arc shows the corresponding temperature scale. Marsh Refrigeration Ammonia Gauges are available in a plain stainless steel case.

Marsh Instruments Refrigeration Ammonia Gauges are designed for use on ammonia compressors and other ammonia refrigeration equipment.

STANDARD RANGES & PART NUMBERS

REFRIGERATION AMMONIA GAUGES		
TYPE	63mm	3½"
Size	63mm	3½"
Case Material	Stainless Steel	Stainless Steel
Internals	Stainless Steel	Stainless Steel
Mounting / Case Style	LM	LM
Scale Standard	psi & Ammonia (°F)	psi & Ammonia (°F)
Connection	¼" NPT	¼" NPT
30" Hg VAC to 150 psi	W0104	W0112
30" Hg VAC to 150 psi	W0104Q	
30" Hg VAC to 300 psi	W0108	W0116
30" Hg VAC to 300 psi	W0108Q	

NOTE: Items are available on special order. However, minimums and lead times apply. Consult factory.

REFRIGERATION AMMONIA GAUGE OPTIONS			
OPTION	TYPE	SUFFIX	
Fill Medium	Glycerine (GL)	P	All Models
	Silicone (SL)	PI	All Models
Custom Dials	Logo or Custom face	M	Consult factory for colors and minimums

SPECIFICATIONS

ACCURACY

ASME Grade B – ±3/2/3% (±2% of range across middle half of scale)

CASE SIZES

63mm and 3½" diameter

CASE MATERIAL

304 Stainless steel

CASE STYLE

LM – Lower Mount

TUBE & SOCKET

Stainless steel

MOVEMENT

Brass sector and pinion

CONNECTION

¼" NPT

RANGES

Compound 30" Hg Vac to 150 psi or 30" Hg Vac to 300 psi

DIAL STANDARD

Single scale psi with corresponding Ammonia temperature scales

DIAL COLOR

Black markings on white

POINTER

Aluminum, black painted

WINDOW

Polycarbonate

RESTRICTORS

Standard

PACKAGING

Optional clam shell packed gauges are on 4½" X 6½" cards, prepunched for pegboard hanging

REFRIGERATION GAUGE

- Color Coded Dial
- Adjustable Pointer Standard

Marsh Refrigeration Gauges are sturdily constructed and tested to give long, continuous, accurate service. In addition to the standard pressure or compound scale, dials also show the corresponding temperature scales for R-12, R-22, and R-502, in the various combinations shown in the chart below. Dial markings are sharp, clear and easy to read. Pressure and vacuum scales are printed in red.

Marsh Instruments Refrigeration Gauges are designed specifically for use on refrigeration systems.



STANDARD RANGES & PART NUMBERS

REFRIGERATION GAUGES		
Size	2½"	3½"
Case Material	Steel	
Internals	Copper Alloy	
Mounting/Case Style	LM	LM
Connection	⅜" NPT	¼" NPT
Scale Standard	psi and temperature (°F)	
R-12		
30" Hg VAC 150 psi	W0002	W0030
0 to 300 psi	W0016	W0034
R-22		
30" Hg VAC to 150 psi		W0032
R-12 & R-22		
30" Hg VAC 150 psi	W0004	
30" Hg VAC 300 psi	W0012	
0 to 300 psi	W0018	

NOTE: Items are available on special order. However, minimums and lead times apply. Consult factory.

SPECIFICATIONS

- ACCURACY**
ASME Grade B – ±3/2/3% (2% of range across middle half of scale)
- CASE SIZES**
2½" and 3½" diameter
- CASE MATERIAL**
Steel, black painted
- CASE STYLE**
LM – Lower Mount
- TUBE & SOCKET**
Copper alloy
- MOVEMENT**
Brass
- CONNECTION**
⅜" or ¼" NPT
- RANGES**
Compound 30" Hg Vac to 150 psi, 30" Hg Vac to 300 psi, 0 to 300 psi
- DIAL STANDARD**
psi with corresponding temperature scales
- DIAL COLOR**
Black markings on white with red temperature scales
- POINTER**
Aluminum, black painted, adjustable
- WINDOW**
Acrylic Clearlok
- RESTRICTORS**
Standard
- OPTIONS**
Consult factory

CONTRACTOR'S GAUGE

- 4½" Dial
- Polished Stainless Steel Case
- Adjustable Pointer
- 1% Accuracy

Marsh Instruments Contractor's HVAC Service Gauge is a newly redesigned gauge with a long-life movement to meet the needs of contractors in air conditioning, heating, plumbing and refrigeration. This rugged and reliable gauge is economically priced and offers many features normally found on more expensive gauges such as adjustable pointer, acrylic lens and polished stainless steel case.

Marsh Instruments Contractor's Gauges are designed for use on ammonia compressors and other ammonia refrigeration equipment.

STANDARD RANGES & PART NUMBERS

CONTRACTOR'S GAUGES	
Size	4½"
Case Material	Polished Stainless Steel
Internals	Copper Alloy
Mounting / Case Style	LM
Connection	¼" NPT
Scale Standard	psi
30" Hg VAC to 30 psi	W0480
30" Hg VAC to 160 psi	W0487
0 to 30 psi	W0481
0 to 60 psi	W0483
0 to 100 psi	W0484
0 to 160 psi	W0486
0 to 200 psi	W0488
0 to 300 psi	W0490
0 to 600 psi	W0492

CONTRACTOR'S GAUGE OPTIONS

OPTION	TYPE	SUFFIX	AVAILABLE ON MODELS
Restrictors	Push Fit .008 or .018	H	all models
Catalog dials	psi and kPa	W3	all models
All other dials - consult factory for lead time			25 Piece minimum

SPECIFICATIONS

ACCURACY

ASME Grade A - ±2/1/2% (1% of range across middle half of scale)

CASE SIZE

4½" diameter

CASE MATERIAL

Polished stainless steel

CASE STYLE

LM - Lower Mount

TUBE & SOCKET

Copper alloy

MOVEMENT

Brass sector and pinion

CONNECTION

¼" NPT

RANGES

Compound 30" Hg Vac to 160 psi;
30 to 600 psi

DIAL STANDARD

Single scale psi

DIAL COLOR

Black markings on white

POINTER

Aluminum, black painted, adjustable

WINDOW

Acrylic





HEATING SYSTEM GAUGE

- Adjustable Set Hand
- Ranges to 300 psi and 690 Feet of Water
- 3½" and 4½" Dials

Marsh Instruments Heating System Gauges are available in 3½" and 4½" dial sizes in the most popular ranges. An adjustable red altitude pointer is standard on feet-of-water gauges. This feature allows the user to indicate the head of water to be maintained in the system.

Marsh Instruments Heating System Gauges provide accurate psi and feet-of-water measurements in elevated tanks, reservoirs, standpipes, and similar applications where reliability and dependability are crucial in heating system equipment.

STANDARD RANGES & PART NUMBERS

HEATING SYSTEM HVAC/R GAUGES		
TYPE	3½"	4½"
Size	3½"	4½"
Case Material	Steel	Aluminum
Internals	Copper Alloy	Copper Alloy
Mounting / Case Style	LM	LM
Connection	¼" NPT	¼" NPT
Scale Standards	psi, ft. H ₂ O and metric	psi, ft. H ₂ O and metric
0 to 15 psi and 0 to 30 ft H ₂ O		W0456
0 to 30 psi and 0 to 70 ft H ₂ O	W0450	W0457
0 to 100 psi and 0 to 230 ft H ₂ O	W0451	W0458
0 to 150 psi and 0 to 345 ft H ₂ O		W0459
0 to 160 psi and 0 to 370 ft H ₂ O	W0452	
0 to 200 psi and 0 to 460 ft H ₂ O	W0453	W0460
0 to 300 psi and 0 to 690 ft H ₂ O	W0454	W0461

NOTE: Items are available on special order. However, minimums and lead times apply. Consult factory.

HEATING SYSTEM GAUGE OPTIONS

OPTION	TYPE	SUFFIX	AVAILABLE ON MODELS
Restrictors	Special Restrictor	H	All models
Custom Dials	Logo or Custom face	M	Consult factory for colors and minimums



SPECIFICATIONS

ACCURACY
 3½" ASME Grade B – ±3/2/3% (2% of range across middle half of scale)
 4½" ASME Grade A – ±2/1/2% (1% of range across middle half of scale)

CASE SIZE
 3½" and 4½" diameter

CASE MATERIAL
 3½": Steel, black painted
 4½": Aluminum back flange case, black painted

CASE STYLE
 LM – Lower Mount

TUBE & SOCKET
 Copper alloy

MOVEMENT
 3½": Brass
 4½": Stainless steel

CONNECTION
 ¼" NPT

RANGES
 Dual Scale 15 to 300 psi and 300 to 690 ft. H₂O

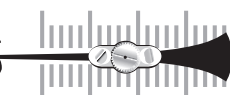
DIAL STANDARD
 psi, ft. H₂O and metric

DIAL COLOR
 Black markings on white

POINTER
 Aluminum, black painted with red set hand

WINDOW
 3½": Acrylic Clearlok
 4½": Instrument Glass





SPRINKLER GAUGE

- Polished Brass Case
- Dials Marked AIR/WATER
- UL Listed and FM Approved

Marsh Instruments Sprinkler Gauges offer outstanding dependability, and value. The Marsh Sprinkler Gauge is available in both dial ranges, 0 to 300 psi, and 0 to 80 retarded to 250 psi. Both ranges are available with the dial marked AIR or WATER for instant line identification by inspection and maintenance personnel.

Marsh Instruments Sprinkler Gauges are designed for residential and commercial sprinkler systems.

SPECIFICATIONS

ACCURACY

ASME Grade B $\pm 3/2/3\%$ ($\pm 2\%$ of range across middle half of scale)

CASE SIZES

3 1/2" diameter

CASE MATERIAL

Polished brass

CASE STYLE

LM – Lower Mount

TUBE & SOCKET

Copper alloy

MOVEMENT

Brass

CONNECTION

1/4" NPT

RANGES

0 to 300 psi and 0 to 80 psi Retard to 250 psi

DIAL STANDARD

Dual scale psi and kPa

All dials are marked AIR/WATER

DIAL COLOR

Black markings on white

POINTER

Aluminum, black painted

WINDOW

Impact resistant plastic

STANDARD RANGES & PART NUMBERS

TYPE	SPRINKLER GAUGES
Size	3 1/2"
Case Material	Brass
Internals	Copper Alloy
Mounting / Case Style	LM
Connection	1/4" NPT
Scale Standard	psi/kPa
0 to 300 psi	W0410
0 to 80/250 (Retard)	W0413

SPRINKLER GAUGE OPTIONS

OPTION	TYPE	SUFFIX	AVAILABLE ON MODELS
Custom Dials	Logo or Custom face	M	Consult factory for colors and minimums



WATER TEST GAUGE

- Connects Directly to Standard Water Faucet or Hose
- Measures Commercial & Residential Water Pressure
- Dual Scale Dial

Marsh Water Test Gauge is designed to connect directly to a standard 3/4" water faucet or hose. The maxi pointer included on the Water Test Gauge allows you to monitor a peak operating or surge pressure point.

Typical application include measuring residential and commercial water pressure, also selection and adjustment of valves, regulators, and other controls.



STANDARD RANGES & PART NUMBERS

TYPE		WATER TEST GAUGES	
Size	2 1/2"		
Internals	Copper Alloy		
Case Materials	Steel		
Mounting/Case Style	Top mount		
Connection	3/4"-1 1/2" NH female hosebib		
Scale Standard	psi/kPa		
Window	Acrylic	Acrylic w/maxhand	
Part Number	G24545	G24545-001	

SPECIFICATIONS

ACCURACY ASME
Grade B - ±3/2/3% (±2% of range across middle half of scale)

CASE SIZES

2 1/2" diameter

CASE MATERIAL

Steel, black painted

CASE STYLE

Top mount

TUBE & SOCKET

Copper alloy

MOVEMENT

Brass

CONNECTION

3/4" - 1 1/2" NH Female hosebib

RANGES

0 to 300 psi

DIAL STANDARD

Dual scale psi and kPa

DIAL COLOR

Black markings on white

POINTER

Aluminum, black painted

WINDOW

Acrylic with or without red maximum indicating pointer

OPTIONS

Other ranges are available
Consult factory

PAPER MACHINE GAUGE

- Hinged Ring Chrome Plated Steel Case
- Protective Weather Tight Seal
- Restrictor is Standard

Marsh Instrument Chrome Plated Paper Machine Gauges are available in nine ranges and fit existing panel cutouts. The heavy duty case features a front flanged/ hinged ring design which allows easy access to the recalibrator and a weep hole that prevents condensation buildup. A restrictor is standard. The Marsh Paper Machine Gauge is available in 3 1/2" size only. Each gauge has a weather-tight seal to protect against dust and atmospheric contaminants.

Marsh Instruments Paper Machine gauges are specifically designed to meet the demands of the pulp and paper industry.



SPECIFICATIONS

ACCURACY	ASME Grade A - ±2/12% (±1% of range across middle half of scale)
CASE SIZES	3 1/2" diameter
CASE MATERIAL	Steel, chrome plated
CASE STYLE	LBM - Lower Back Mount
TUBE & SOCKET	Copper alloy
MOVEMENT	Stainless Steel with recalibrator
CONNECTION	1/4" NPT
RANGES	30 to 1,000 psi
DIAL STANDARD	Single scale psi
DIAL COLOR	Black markings on white
POINTER	Aluminum, black painted
WINDOW	Glass lens, chrome plated brass ring with weather-tight seal
RESTRICTOR	Standard

STANDARD RANGES & PART NUMBERS

PAPER MACHINE GAUGES	
Size	3 1/2"
Case Material	Steel, Chrome Plated
Internals	Copper Alloy
Mounting / Case Style	LBM
Connection	1/4" NPT
Scale Standard	psi
0 to 30 psi	W6042
0 to 60 psi	W6046
0 to 100 psi	W6048
0 to 160 psi	W6052
0 to 200 psi	W6054
0 to 300 psi	W6058
0 to 400 psi	W6060
0 to 600 psi	W6064
0 to 1,000 psi	W6072

PAPER MACHINE GAUGE OPTIONS

OPTION	TYPE	SUFFIX	AVAILABLE ON MODELS
Restrictor	Special Restrictor	H	
	No restrictor	H1	
Catalog Dials	bar only	L1	See Marsh Price List for minimum
	kg/cm ² only	L2	
	kPa only	L3	
	MPa only	L4	
	psi & bar	W1	
	psi & kg/cm ²	W2	
	psi & kPa	W3	
	psi & MPa	W4	
Custom Dials	Logo or custom face	M	Consult factory for colors and minimums

PAPER MACHINE GAUGE DIMENSIONS

